



US00D887807S

(12) **United States Design Patent** (10) **Patent No.:** **US D887,807 S**  
**Torkilsen et al.** (45) **Date of Patent:** **\*\* Jun. 23, 2020**

(54) <b>BENCH VISE</b>	4,807,863 A * 2/1989 Yang ..... B25B 1/103 269/153
(71) Applicant: <b>C.H. Hanson Company</b> , Naperville, IL (US)	D471,070 S * 3/2003 Howell ..... D8/72 D646,543 S * 10/2011 Galle ..... D8/74 D680,843 S * 4/2013 Onello ..... D8/74 D699,539 S * 2/2014 Nieto ..... D8/74 D705,031 S * 5/2014 Zhang ..... D8/74 D707,096 S * 6/2014 Zhang ..... D8/74 D718,599 S * 12/2014 Durocher ..... D8/74 D780,549 S * 3/2017 Zhang ..... D8/74 D808,238 S * 1/2018 Zhang ..... D8/74 D811,844 S * 3/2018 Gordon ..... B23Q 3/18 D8/74
(72) Inventors: <b>Ernest Edward Torkilsen</b> , Naperville, IL (US); <b>Scott J. Collins</b> , Milwaukee, WI (US)	
(73) Assignee: <b>C. H. HANSON COMPANY</b> , Naperville, IL (US)	

(\*\*) Term: **15 Years**

\* cited by examiner

(21) Appl. No.: **29/661,055**

*Primary Examiner* — David G Muller

(22) Filed: **Aug. 24, 2018**

(74) *Attorney, Agent, or Firm* — Chun-Ming Shih; Lanway IPR Services

(51) **LOC (12) Cl.** ..... **08-05**

(52) **U.S. Cl.**  
USPC ..... **D8/74**

(57) **CLAIM**

(58) **Field of Classification Search**  
USPC ..... D8/71–74, 394–399, 59; 248/63, 72, 248/74.1, 689, 124.2; 81/487, 385, 386, 81/388–390; 269/3, 4, 6, 143, 165, 240, 269/243, 246–249, 254 R, 147–149; 29/256, 257, 276; 408/103, 104–109  
CPC ..... B25B 1/00; B25B 5/00  
See application file for complete search history.

The ornamental design for a bench vise, as shown and described.

**DESCRIPTION**

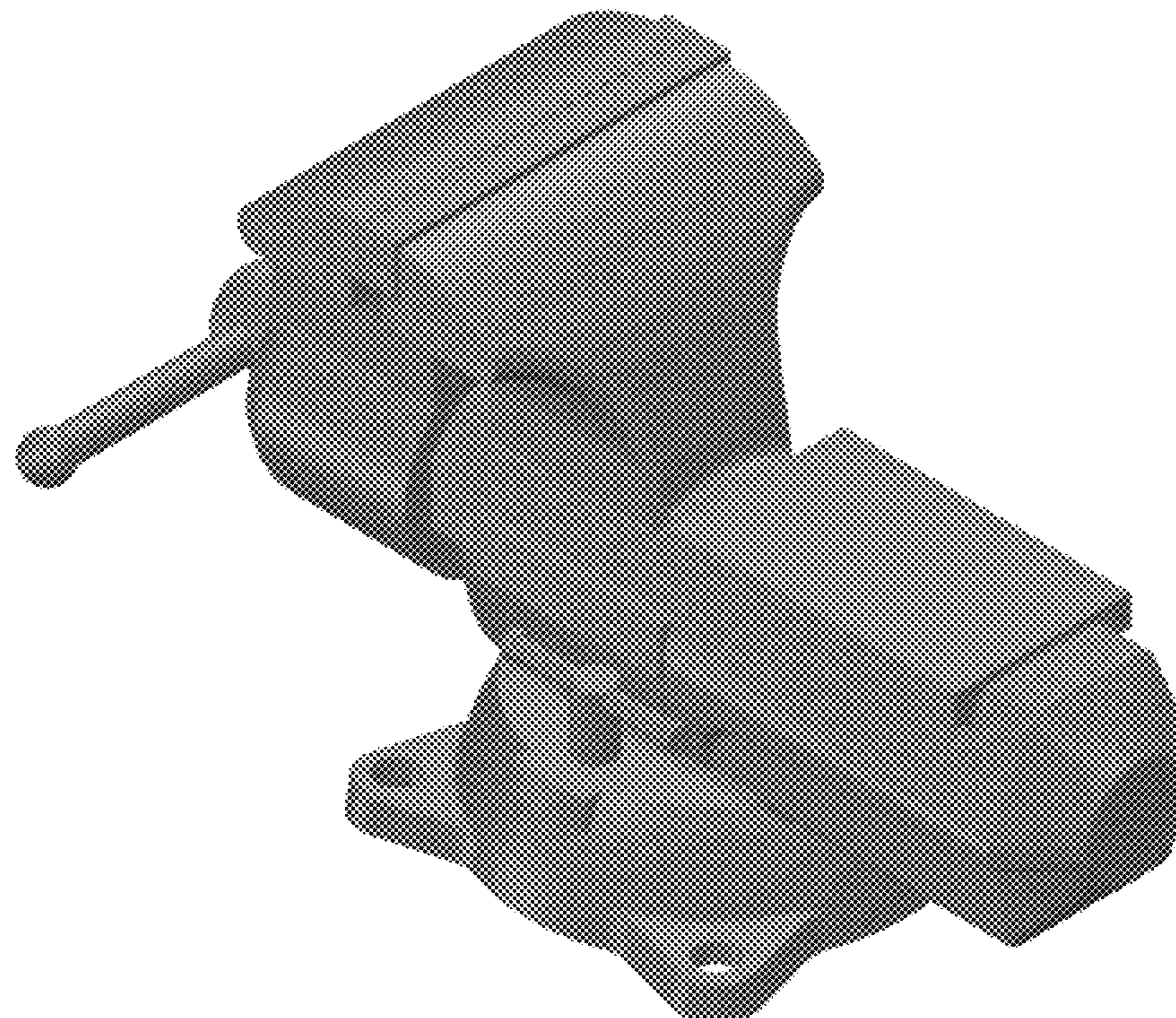
(56) **References Cited**

U.S. PATENT DOCUMENTS

4,133,519 A \* 1/1979 Shin ..... B25B 1/103  
269/247  
D254,835 S \* 4/1980 Bass ..... D8/74

FIG. 1 is a perspective view of a bench vise showing my new design;  
FIG. 2 is a front elevation view thereof;  
FIG. 3 is a rear elevation view thereof;  
FIG. 4 is a left side elevation view thereof;  
FIG. 5 is a right side elevation view thereof; and,  
FIG. 6 is a top plan view thereof.

**1 Claim, 6 Drawing Sheets**



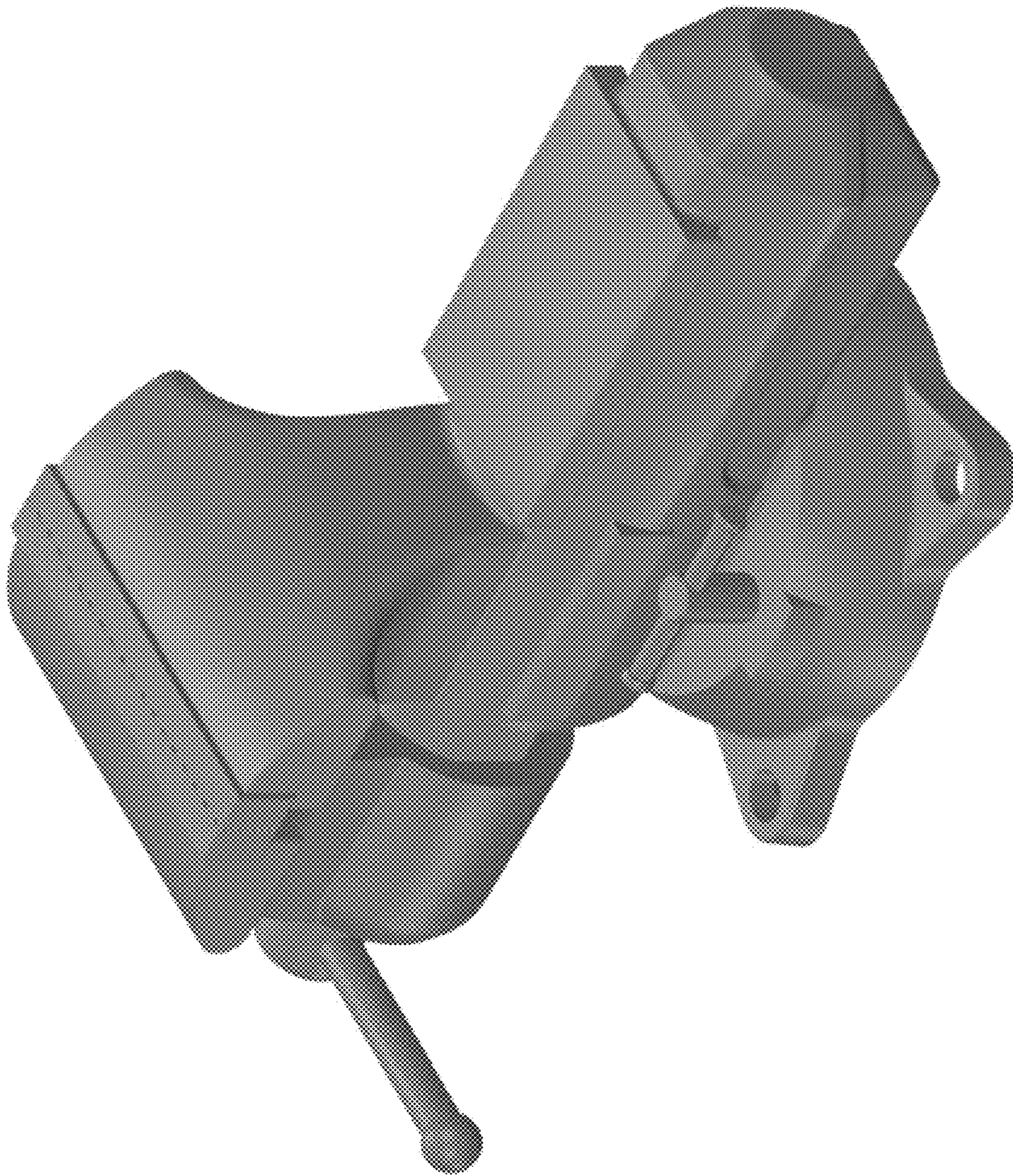


FIG. 1

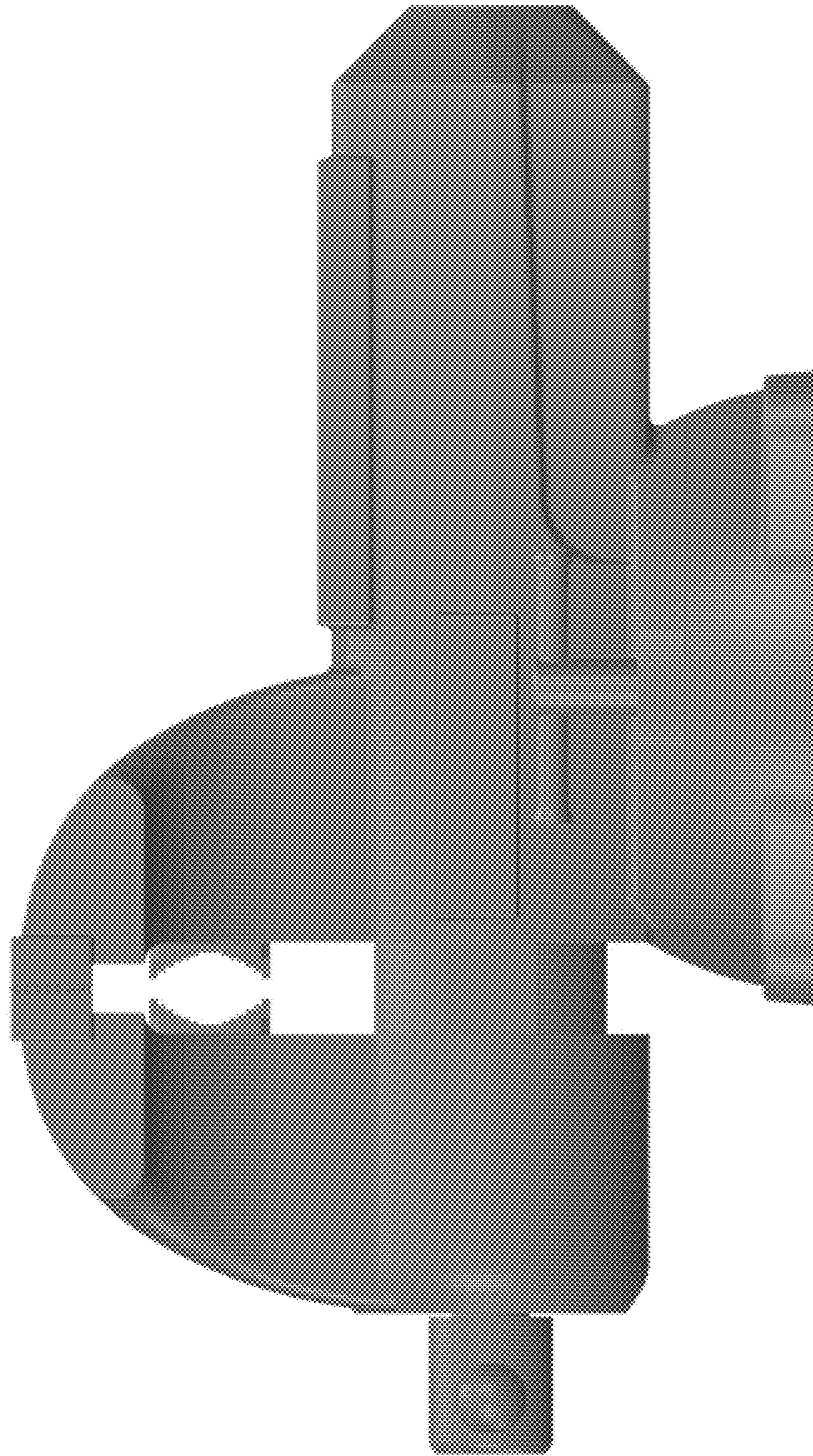


FIG. 2

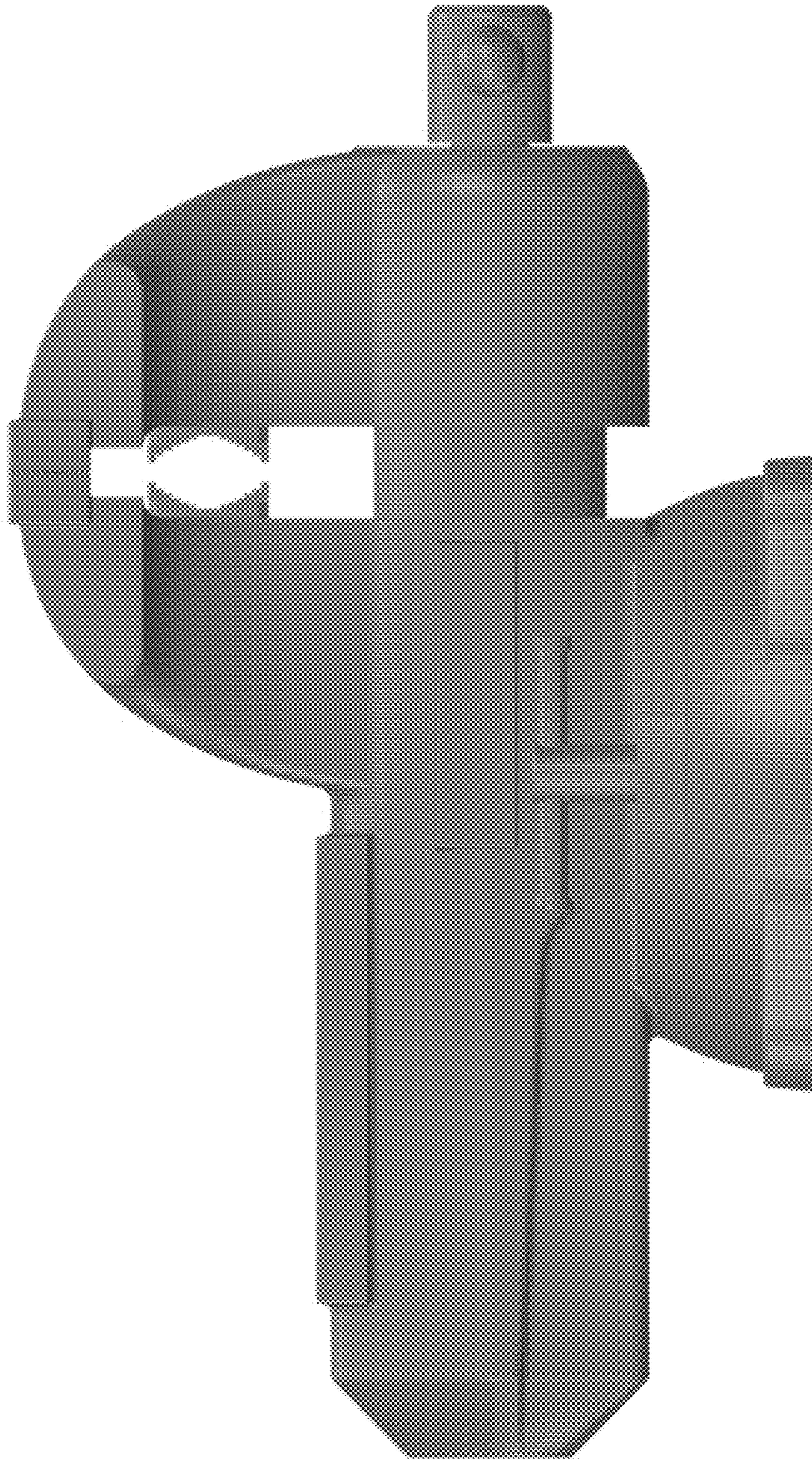


FIG. 3

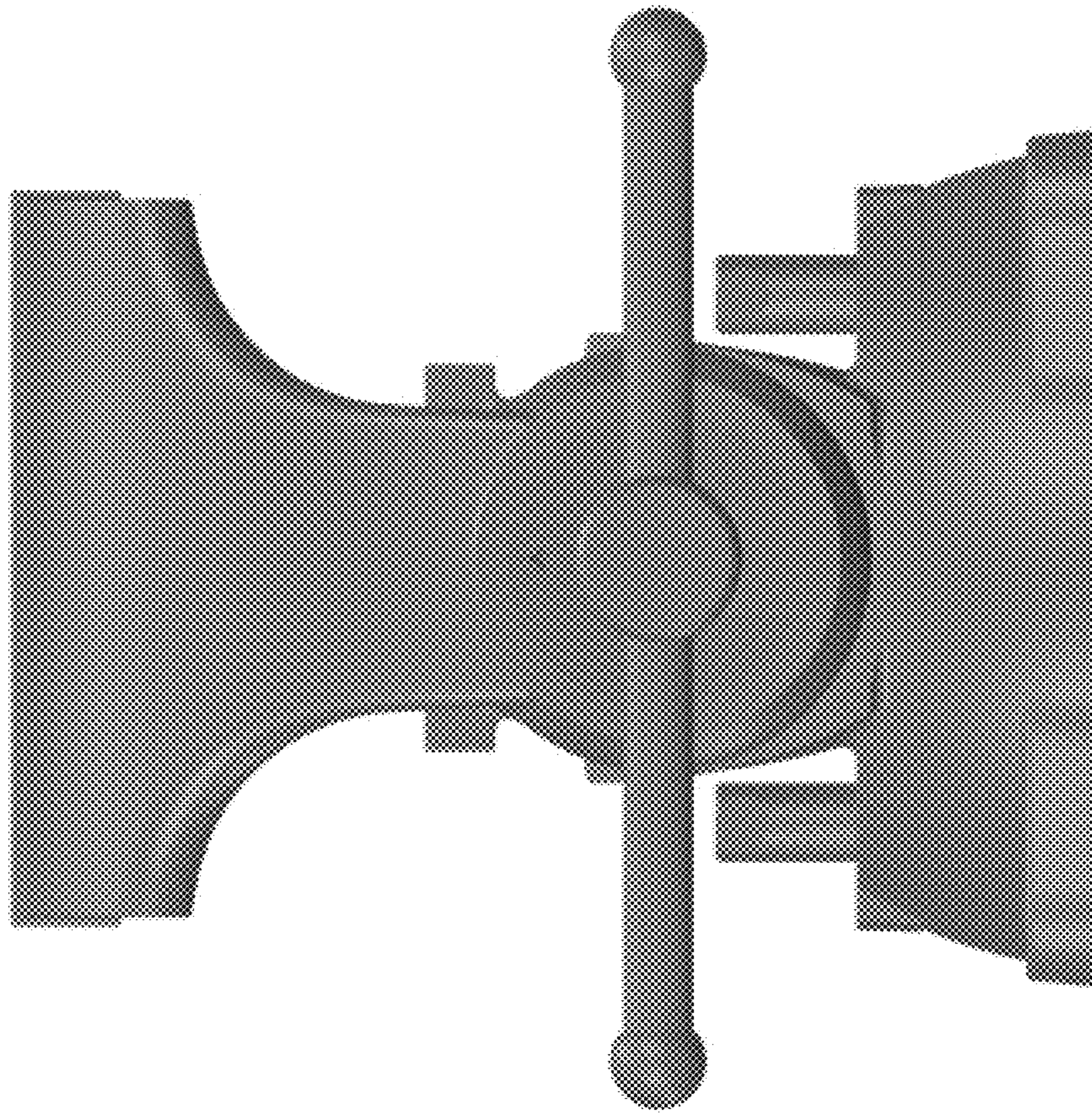


FIG. 4

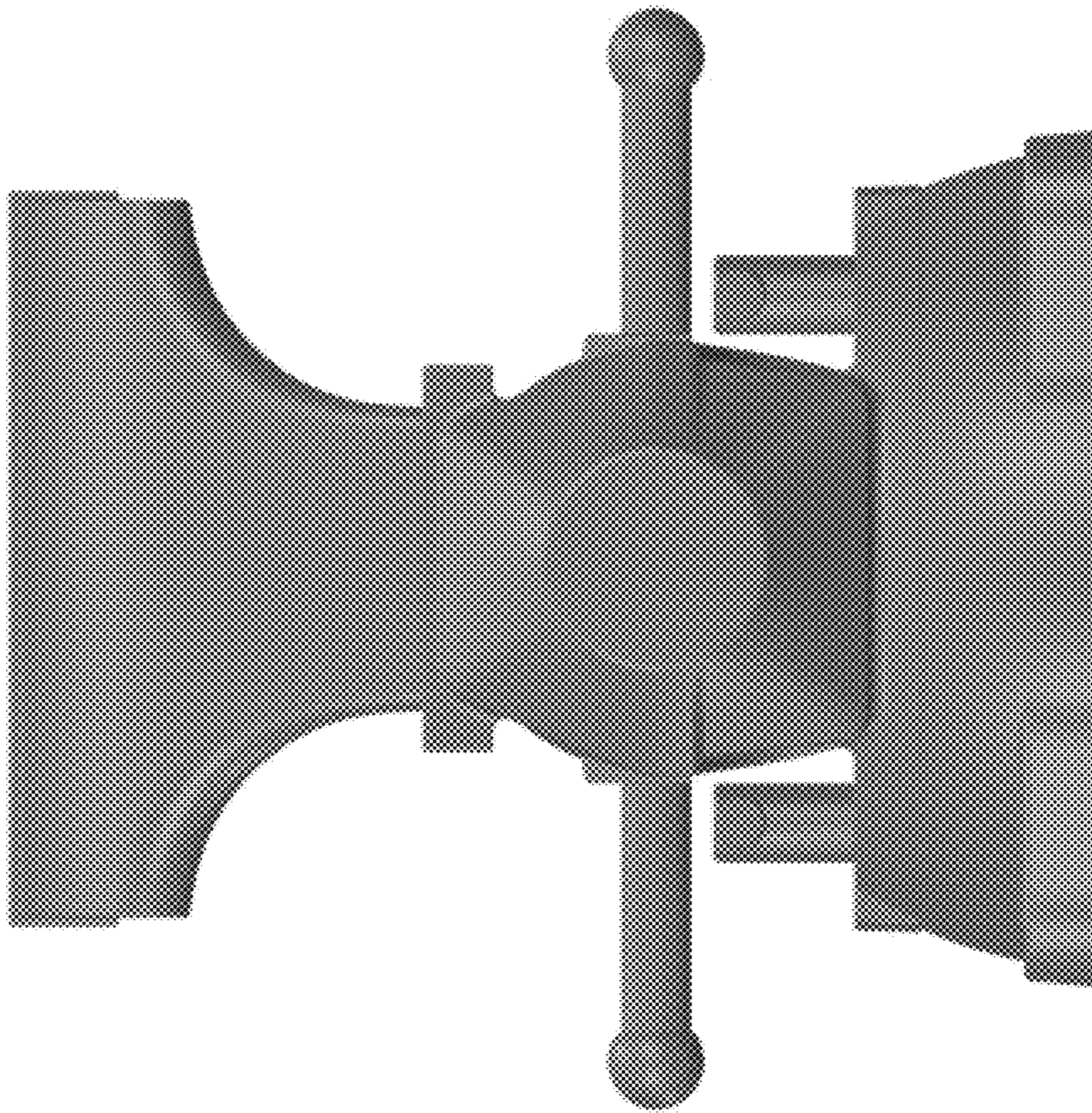


FIG. 5

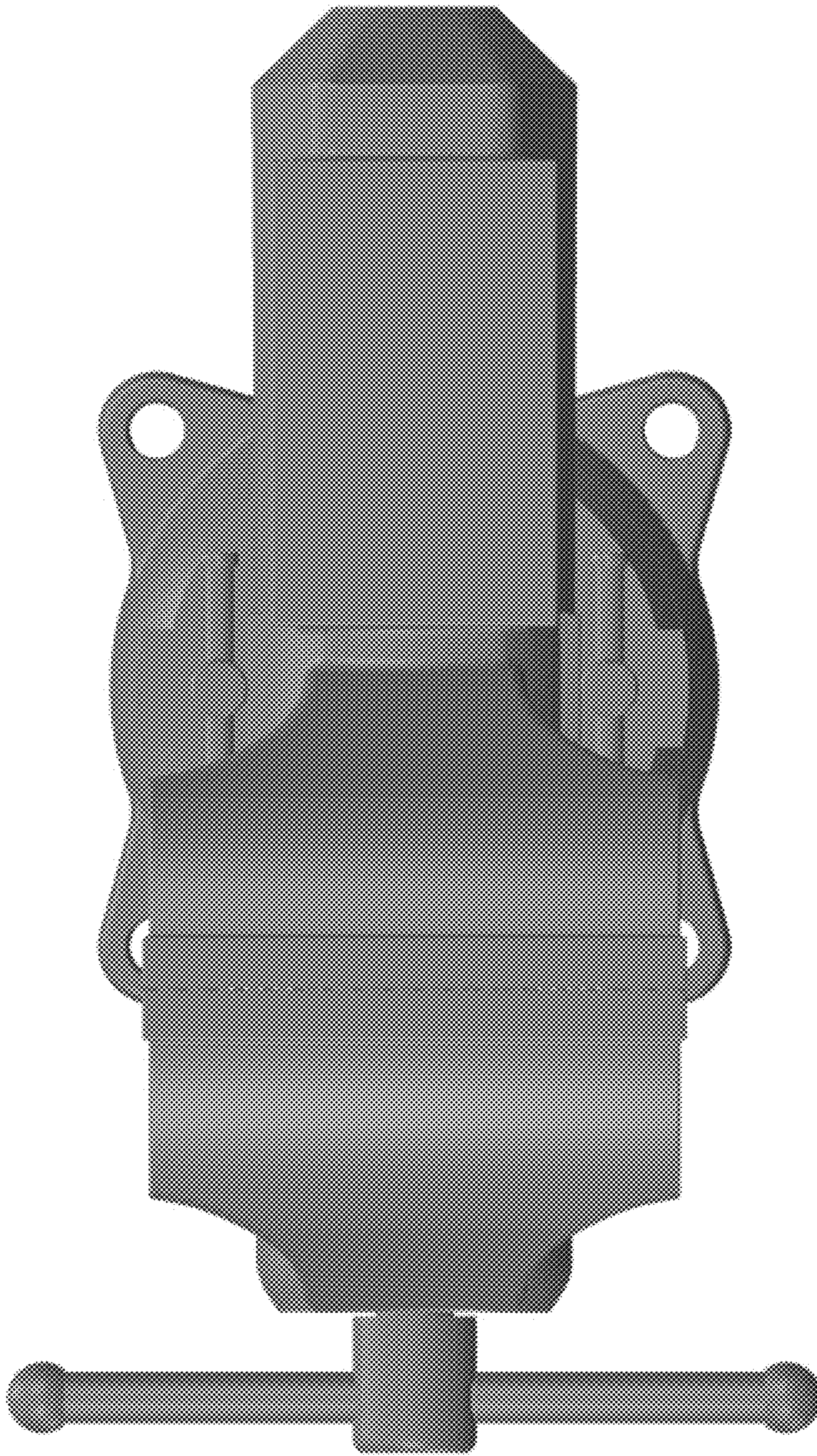


FIG. 6