



US00D887805S

(12) **United States Design Patent**
Fleming

(10) **Patent No.:** **US D887,805 S**

(45) **Date of Patent:** **** Jun. 23, 2020**

(54) **FOLDING REACHER GRABBER**
(71) Applicant: **Vive Health LLC**, Naples, FL (US)
(72) Inventor: **Joseph Fleming**, Naples, FL (US)
(73) Assignee: **Vive Health LLC**, Naples, FL (US)
(**) Term: **15 Years**
(21) Appl. No.: **29/675,041**

9,592,066 B2 * 3/2017 Kovarik A61C 1/185
D788,556 S * 6/2017 James D8/51
D792,180 S * 7/2017 Reda D8/51
9,832,980 B2 * 12/2017 Kovarik A01K 77/00
D809,374 S * 2/2018 Harrington D8/394
9,901,245 B2 * 2/2018 Kovarik A61B 17/22031
D854,901 S * 7/2019 Orikawa D8/51
D876,191 S * 2/2020 Orikawa D8/51
2010/0102583 A1 * 4/2010 McCoy B25J 1/04
294/107
2014/0035305 A1 * 2/2014 Ludwig B25B 9/00
294/200

(22) Filed: **Dec. 28, 2018**
(51) **LOC (12) Cl.** **08-05**
(52) **U.S. Cl.**
USPC **D8/51**
(58) **Field of Classification Search**
USPC D8/4, 5, 52, 54, 57, 51, 14; 30/131,
30/296.1, 134, 251, 252, 253, 261, 262
See application file for complete search history.

* cited by examiner

Primary Examiner — Cynthia R Underwood
(74) *Attorney, Agent, or Firm* — Workman Nydegger

(57) **CLAIM**

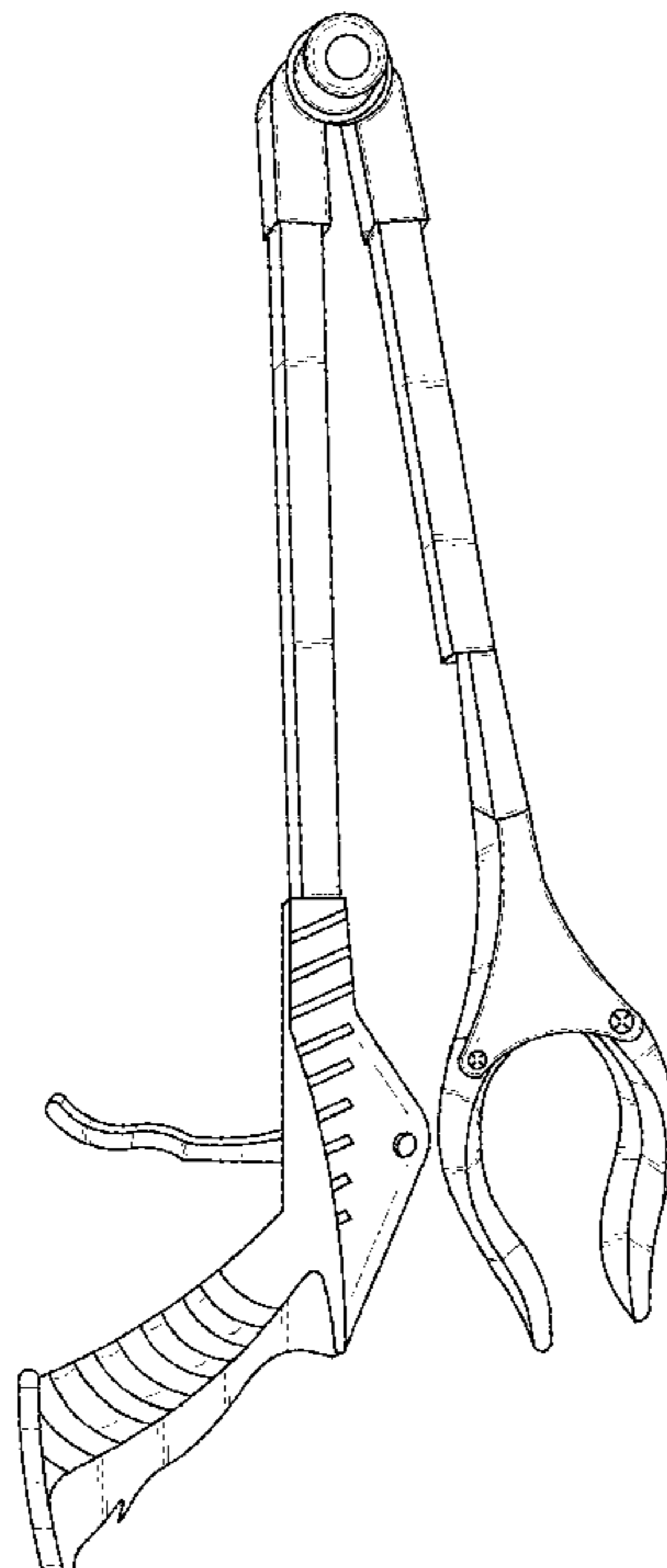
We claim the ornamental design for a folding reacher grabber, as shown and described.

DESCRIPTION

(56) **References Cited**
U.S. PATENT DOCUMENTS
4,231,603 A * 11/1980 van Zelm A61F 4/00
294/111
7,344,171 B1 * 3/2008 McMullan B25B 7/12
294/111
7,665,782 B2 * 2/2010 Buzby B25B 7/12
294/109
7,677,619 B2 * 3/2010 Hutchings B25J 1/02
294/105
D617,619 S * 6/2010 Bensussan D8/51
D655,589 S * 3/2012 Owens D8/51
8,336,362 B2 * 12/2012 Frenken B21D 39/04
72/416
8,356,791 B1 * 1/2013 Blom F16K 7/06
251/4
9,238,302 B2 * 1/2016 Thibodeaux B25J 1/04

FIG. 1 is a perspective view of a folding reacher grabber showing my new design in a folded configuration of use; FIG. 2 is another perspective view of the folding reacher grabber as shown in FIG. 1; FIG. 3 is front view of the folding reacher grabber as shown in FIG. 1; FIG. 4 is back view of the folding reacher grabber as shown in FIG. 1; FIG. 5 is left-side view of the folding reacher grabber as shown in FIG. 1; and, FIG. 6 is a right-side view of the folding reacher grabber as shown in FIG. 1.
No particular colour scheme forms part of the claimed design.

1 Claim, 6 Drawing Sheets



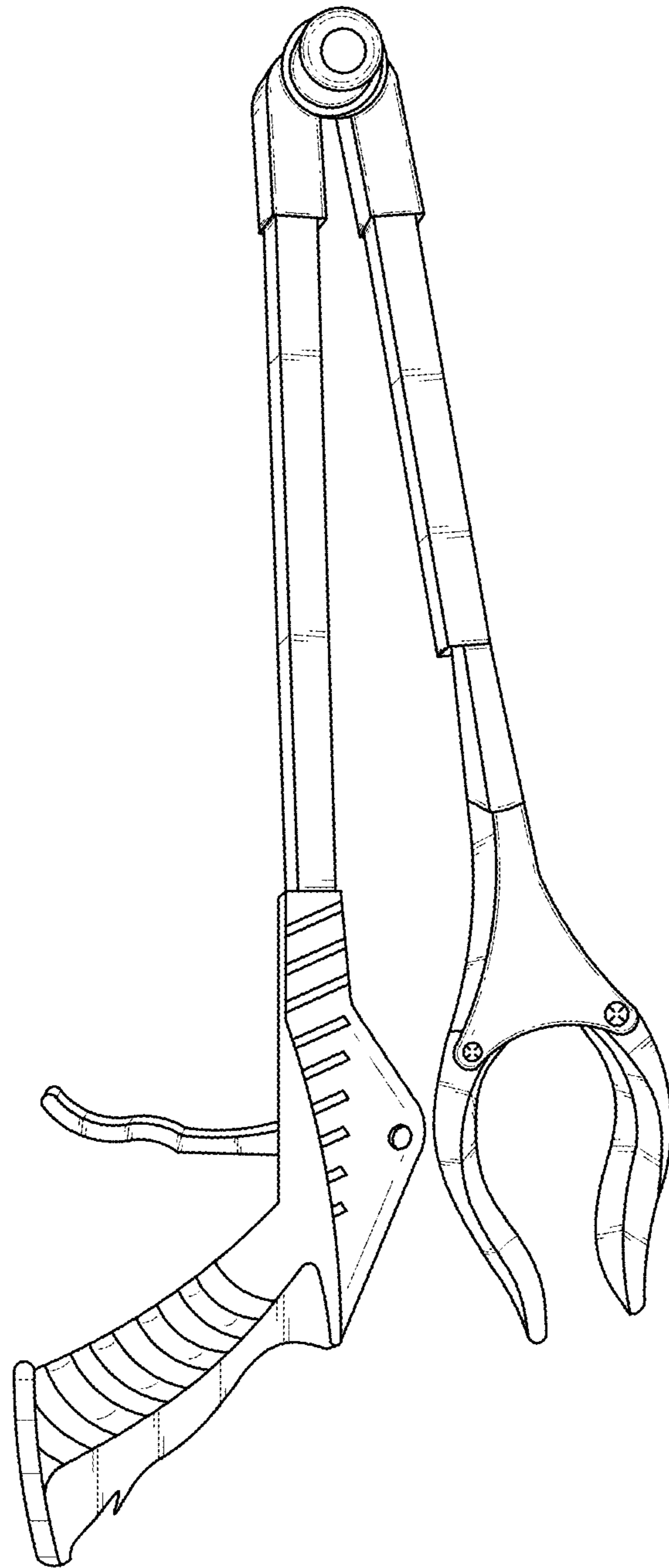


FIG. 1

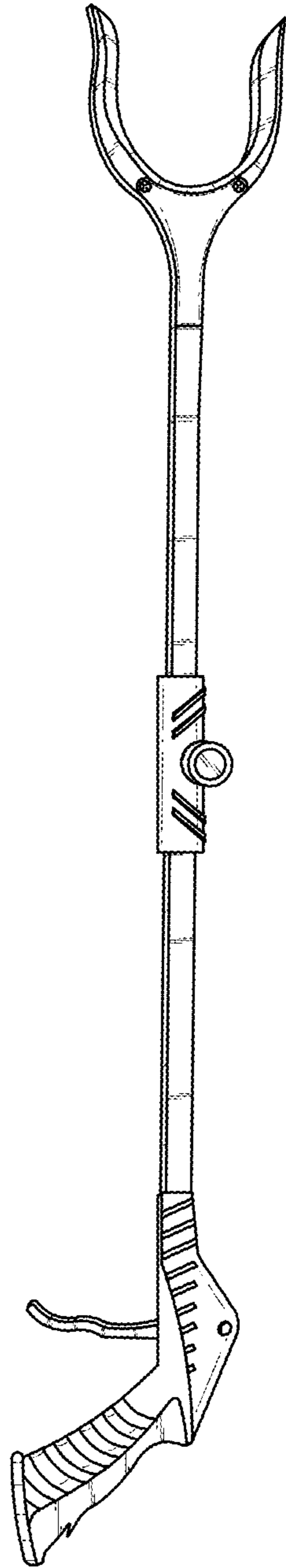


FIG. 2

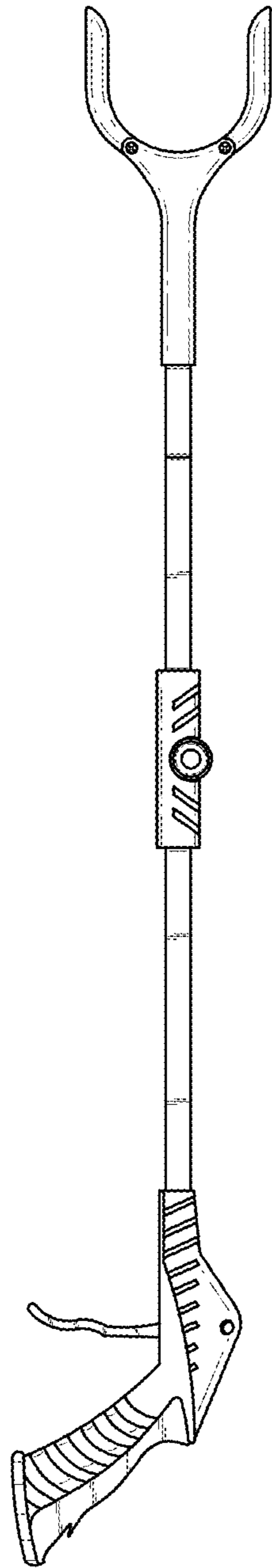


FIG. 3

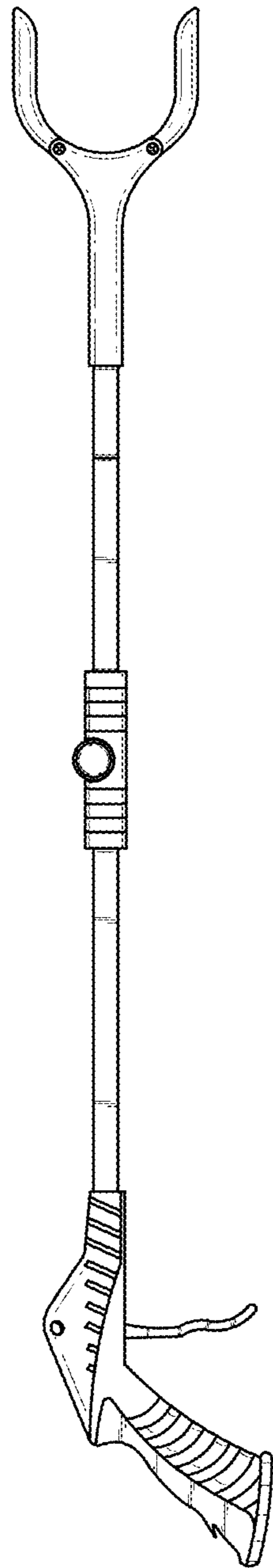


FIG. 4



FIG. 5

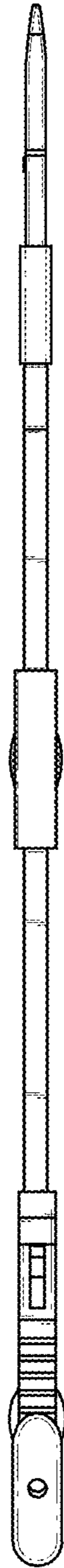


FIG. 6