



US00D887804S

(12) **United States Design Patent**
Hua

(10) **Patent No.:** **US D887,804 S**
(45) **Date of Patent:** **** Jun. 23, 2020**

(54) **BOTTLE OPENER**

(71) Applicant: **True Fabrications, Inc.**, Seattle, WA
(US)

(72) Inventor: **Lovina Hsin-I Hua**, Bellevue, WA
(US)

(73) Assignee: **TRUE FABRICATIONS, INC.**,
Seattle, WA (US)

(**) Term: **15 Years**

(21) Appl. No.: **29/636,740**

(22) Filed: **Feb. 10, 2018**

(51) **LOC (12) Cl.** **07-99**

(52) **U.S. Cl.**
USPC **D8/40**

(58) **Field of Classification Search**
USPC D8/18, 33-43
CPC B67B 7/00; B67B 7/0441; B67B 7/12;
B67B 7/14; B67B 7/16; B67B 7/18;
B67B 7/24; B67B 7/30; B67B 7/34;
B67B 7/40; B67B 7/406; B67B 7/44
See application file for complete search history.

(56) **References Cited**

U.S. PATENT DOCUMENTS

4,253,351	A *	3/1981	Allen	B67B 7/0441
					81/3.29
D408,697	S *	4/1999	de Bergen	D8/42
D430,994	S *	9/2000	Kilduff	D8/39
D441,265	S *	5/2001	Kilduff	B67B 7/0447
					D8/39
D442,043	S *	5/2001	Kao	D8/33
D442,045	S *	5/2001	Kilduff	B67B 7/0447
					D8/39
D444,045	S *	6/2001	Kay	D8/39

D446,098	S *	8/2001	Kilduff	B67B 7/0447
					D8/39
D446,702	S *	8/2001	Kilduff	B67B 7/0447
					D8/39
D455,058	S *	4/2002	Stirling	D8/39
D464,241	S *	10/2002	Sun	D8/39
D465,710	S *	11/2002	Kao	D8/39
D466,383	S *	12/2002	Kehoe	D8/39
D467,141	S *	12/2002	Li	D8/39
D467,142	S *	12/2002	Li	D8/39
D467,479	S *	12/2002	Li	D8/39
D468,602	S *	1/2003	Yu	D8/39
D471,777	S *	3/2003	Yu	D8/39
D472,118	S *	3/2003	Kehoe	D8/39
D476,206	S *	6/2003	Kushner	D8/39
D476,541	S *	7/2003	Kushner	D8/39

(Continued)

Primary Examiner — Elizabeth A. Albert

(74) *Attorney, Agent, or Firm* — Vicky Kaur Bajwa

(57) **CLAIM**

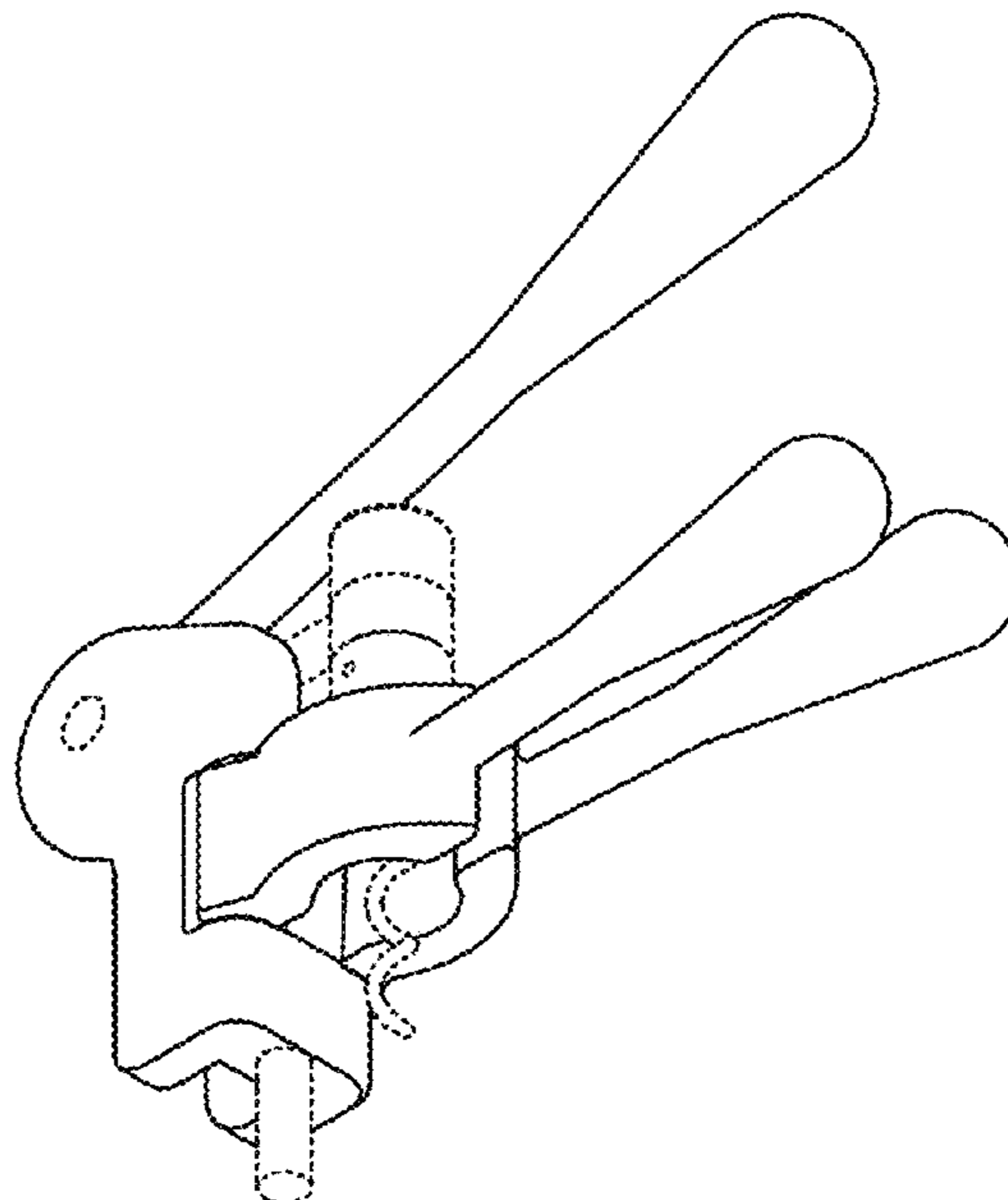
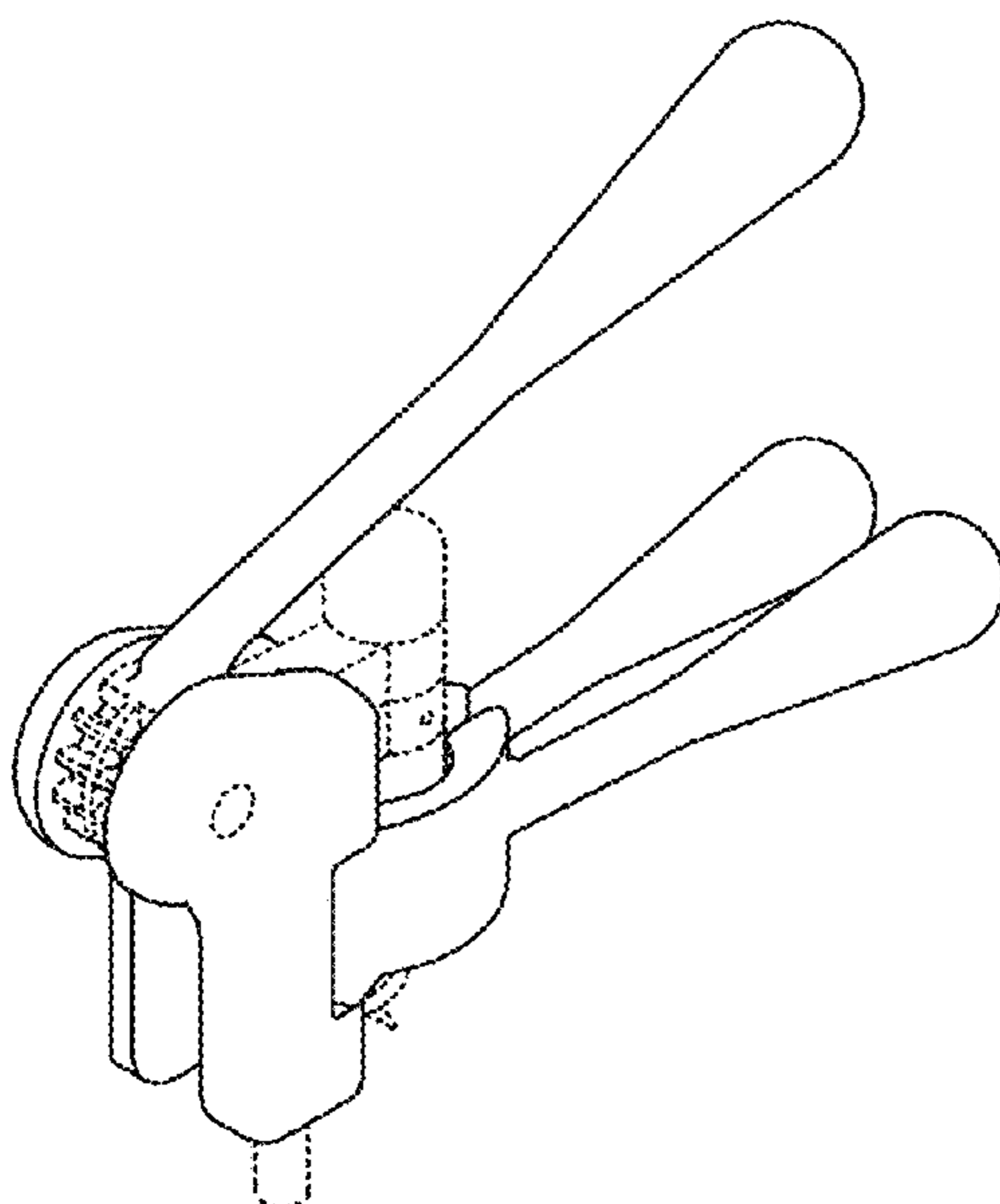
The ornamental design for the bottle opener, as shown and described.

DESCRIPTION

FIG. 1 is a top perspective view of the bottle opener showing my new design;
FIG. 2 is a front elevation view of the bottle opener of FIG. 1, the rear elevation view being a mirror image thereof;
FIG. 3 is a right side elevation view of the bottle opener of FIG. 1;
FIG. 4 is a left side elevation of the bottle opener of FIG. 1;
FIG. 5 is a top view of the bottle opener of FIG. 1;
FIG. 6 is a bottom view of the bottle opener of FIG. 1; and,
FIG. 7 is a bottom perspective view of the bottle opener of FIG. 1.

The broken lines in the drawings are included for the purpose of illustrating unclaimed portions of the bottle opener and form no part of the claimed design.

1 Claim, 4 Drawing Sheets



(56)

References Cited

U.S. PATENT DOCUMENTS

D477,973	S	*	8/2003	Yu	D8/39
D481,599	S	*	11/2003	Yu	D8/39
D482,250	S	*	11/2003	Vitrac	D8/39
D487,684	S	*	3/2004	Kehoe	D8/39
D496,241	S	*	9/2004	Yu	B67B 7/0417
						D8/39
D504,292	S	*	4/2005	Yeung	D8/39
D517,882	S	*	3/2006	Kushner	B67B 7/0417
						D8/39
D521,333	S	*	5/2006	Yu	D8/39
D522,823	S	*	6/2006	Henry	D8/39
D523,712	S	*	6/2006	Yeung	D8/39
D531,468	S	*	11/2006	Geringer	D8/39
D817,733	S	*	5/2018	Ma	D8/42

* cited by examiner

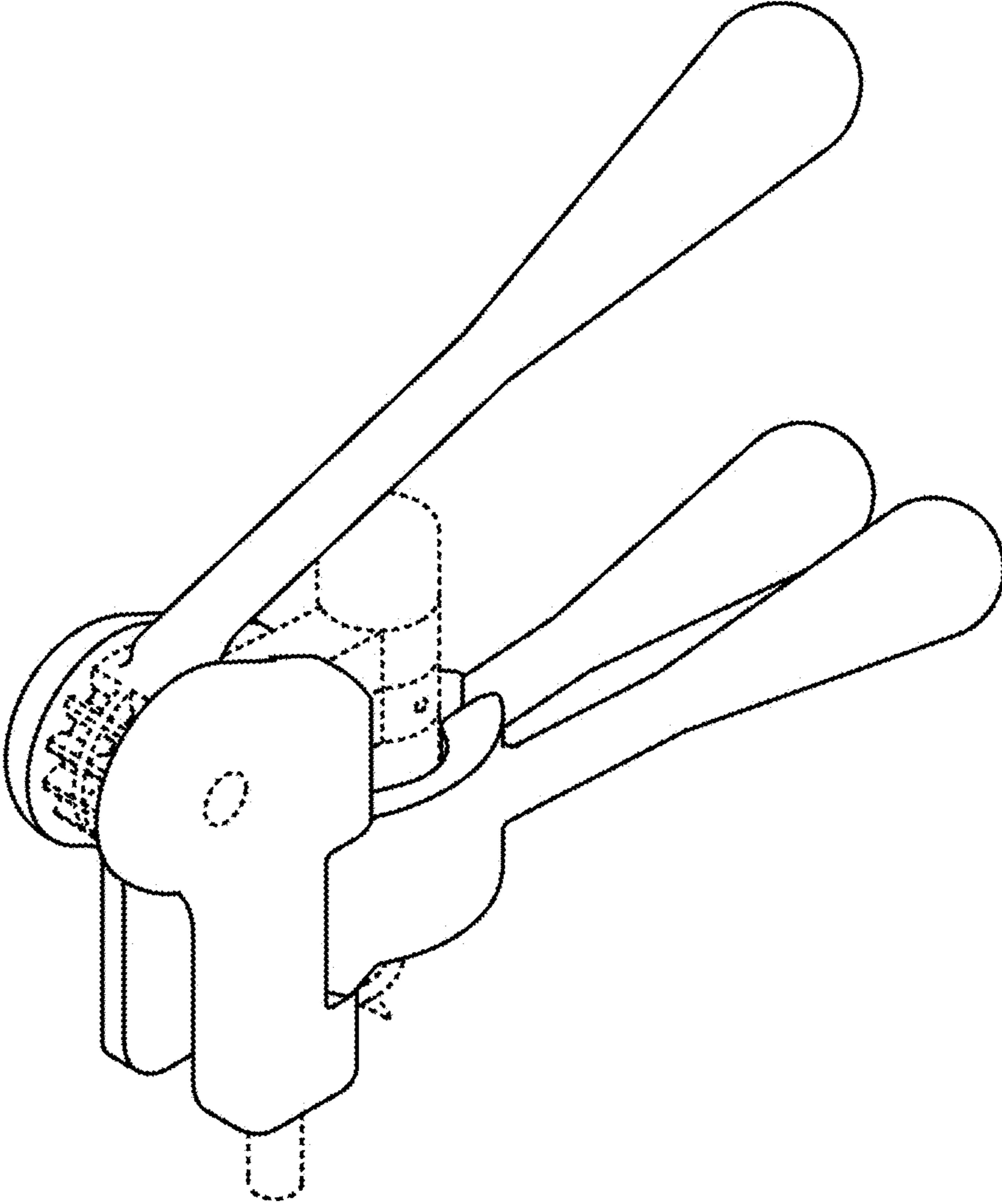


FIG. 1

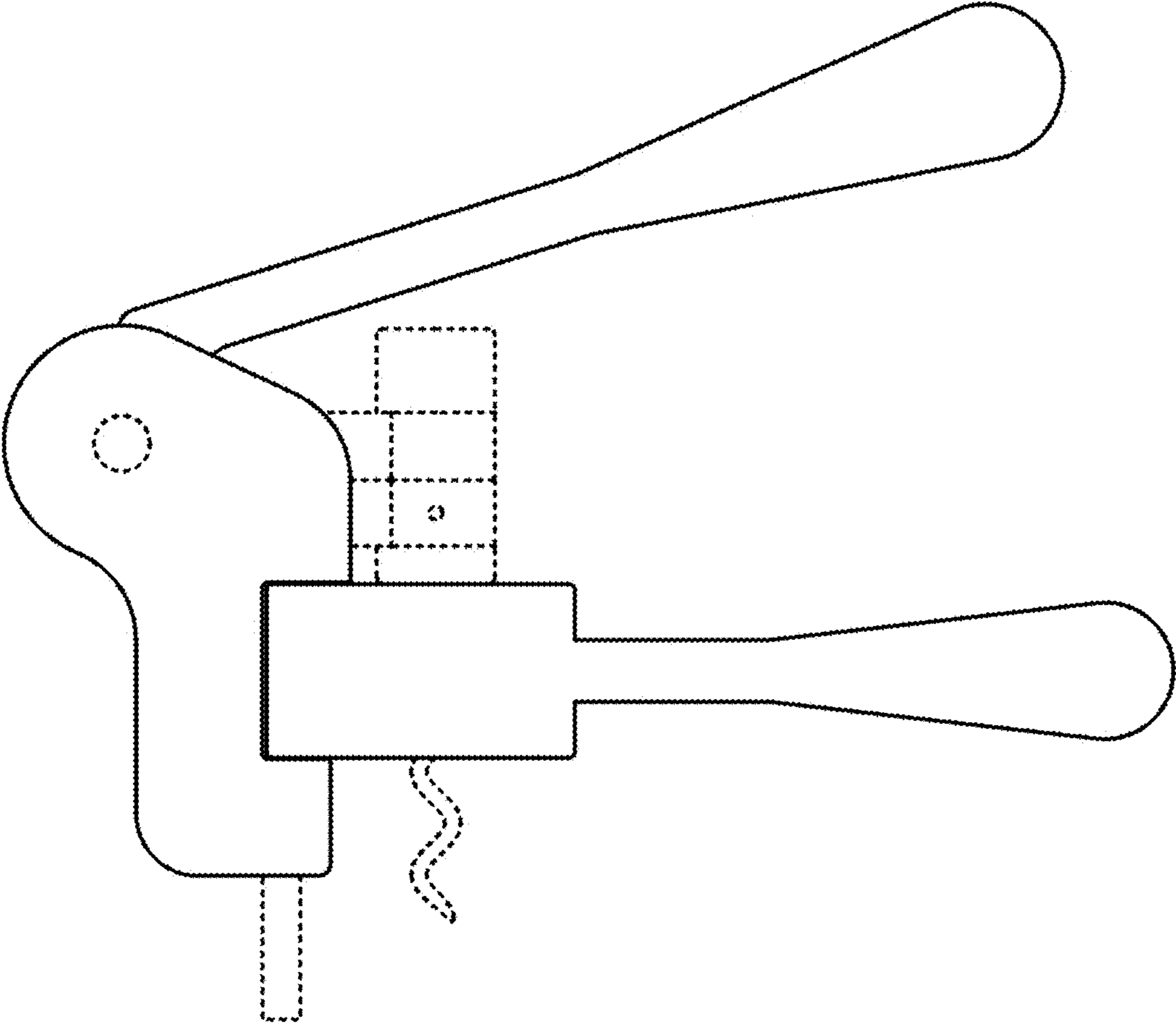


FIG. 2

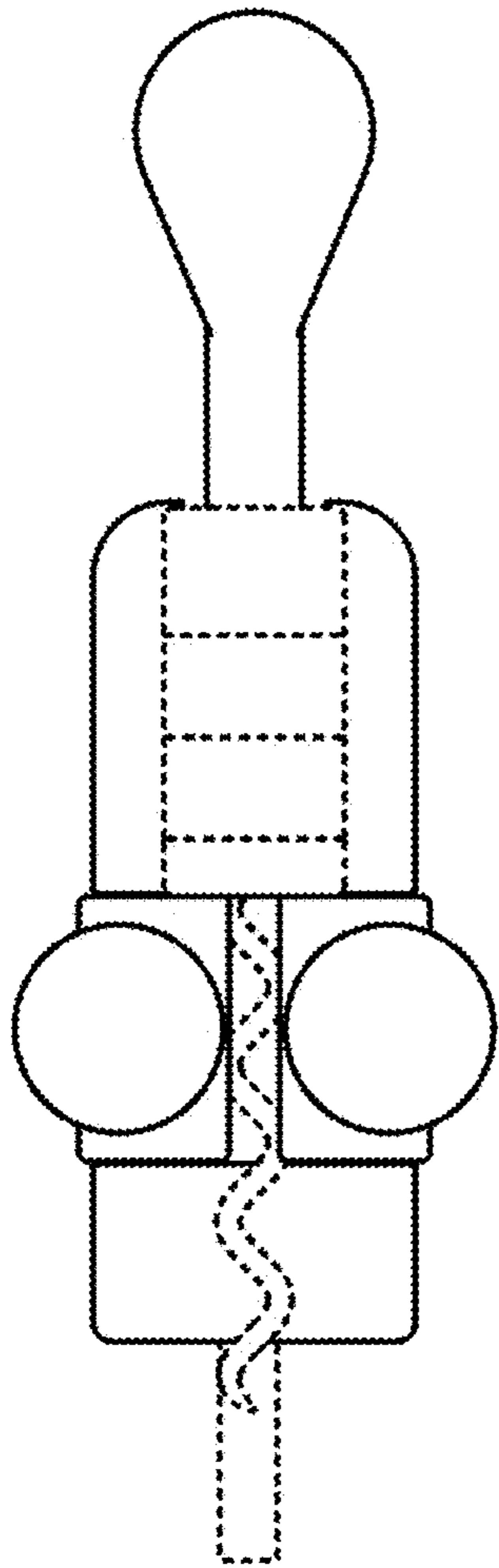


FIG. 3

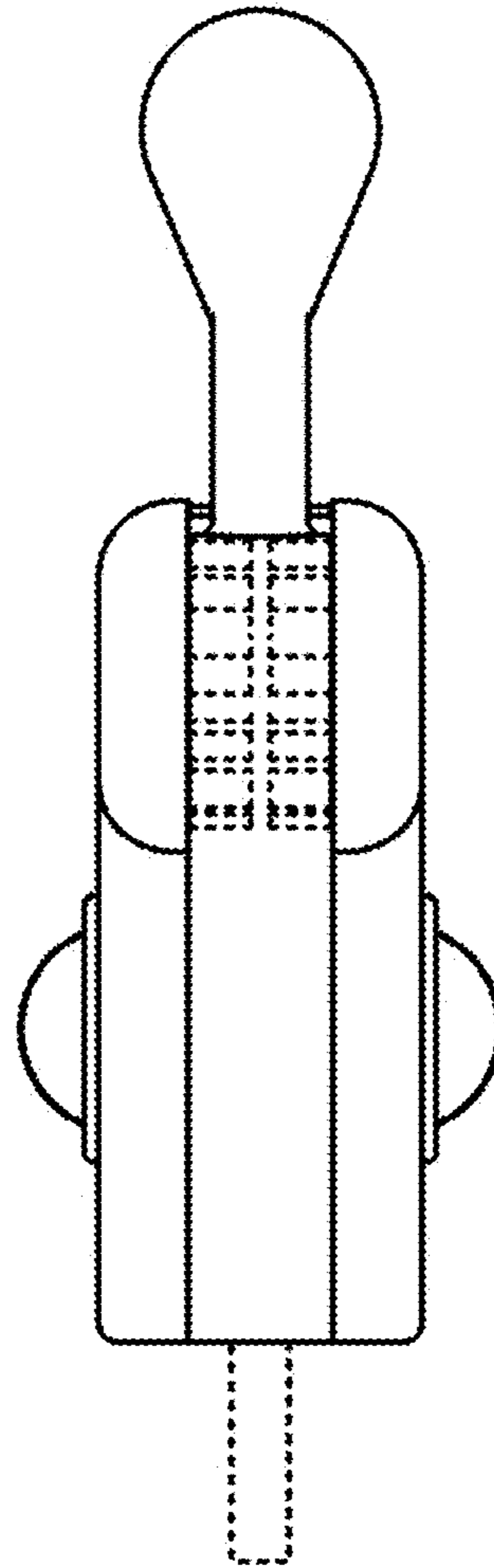


FIG. 4

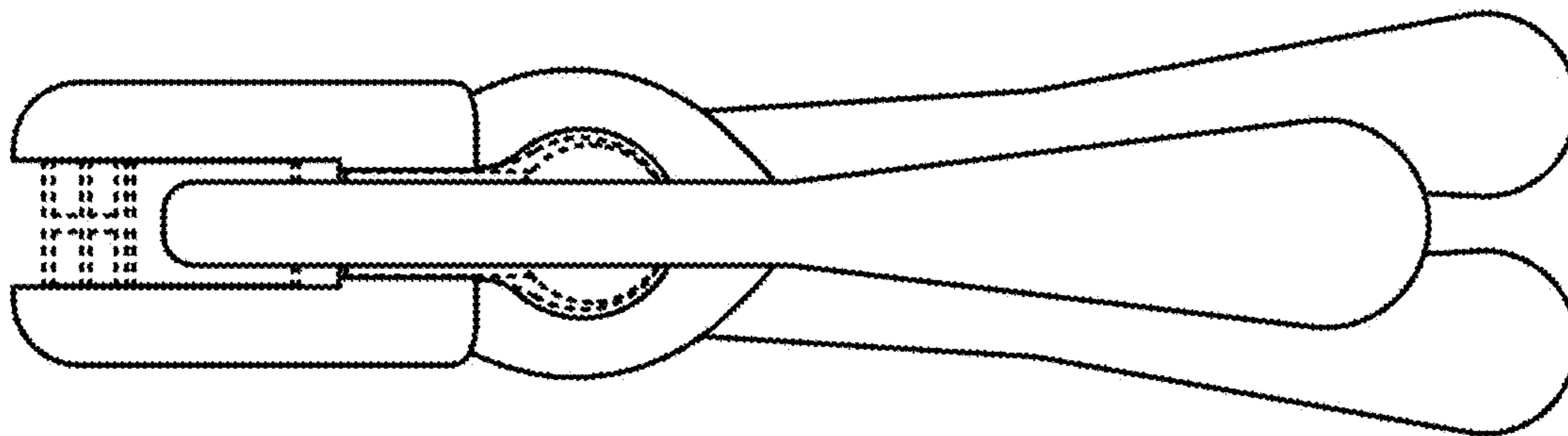


FIG. 5

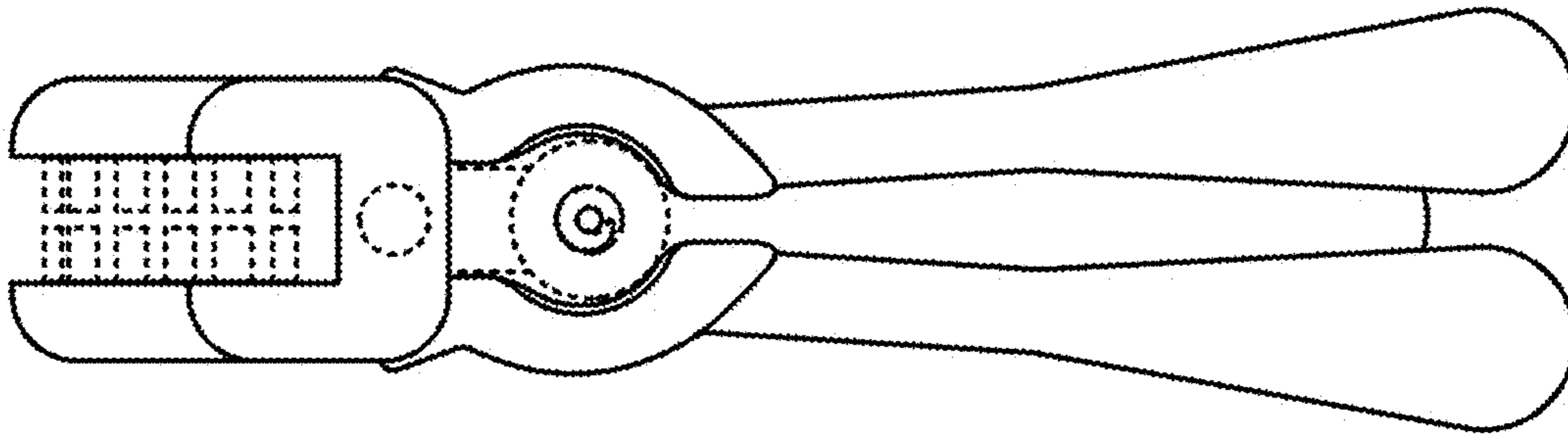


FIG. 6

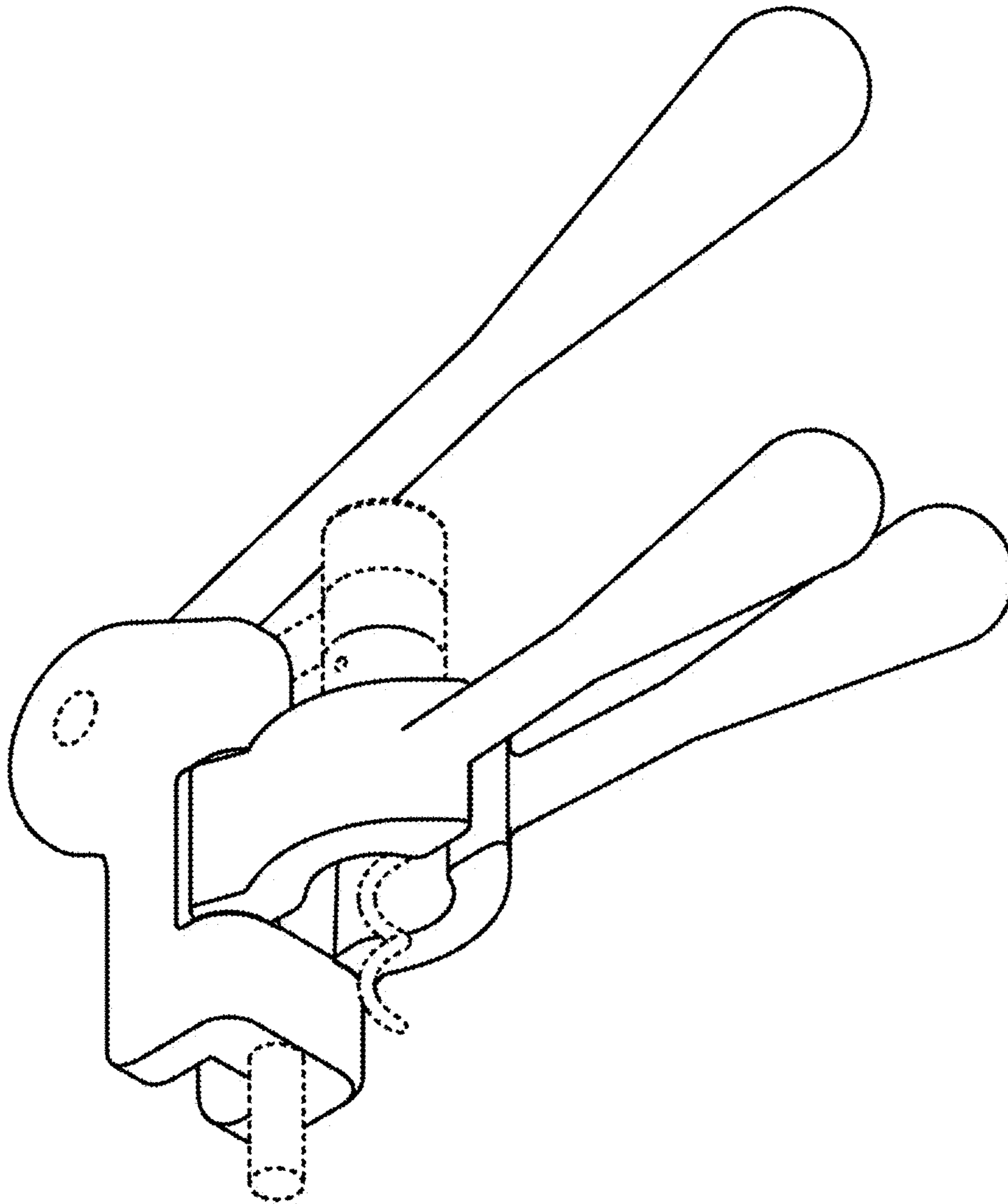


FIG. 7