



US00D887802S

(12) **United States Design Patent** (10) **Patent No.:** **US D887,802 S**
Westrick (45) **Date of Patent:** **** Jun. 23, 2020**

(54) **BOTTLE OPENER** 7,685,908 B1 * 3/2010 Sebastian A47G 23/0216
81/3.09
(71) Applicant: **True Fabrications, Inc.**, Seattle, WA D649,836 S * 12/2011 Dooley D7/507
(US) D659,497 S * 5/2012 Blazevic D8/34
D679,971 S * 4/2013 Weyer D3/210
(72) Inventor: **Amy Jo Westrick**, Seattle, WA (US) D733,496 S * 7/2015 Pisarevsky D7/507
D753,437 S * 4/2016 Steel D7/396.2
D760,048 S * 6/2016 Jordan D8/38
(73) Assignee: **TRUE FABRICATIONS, INC.**, D790,277 S * 6/2017 Mackesy, II D7/507
Seattle, WA (US) D795,643 S * 8/2017 Barlow D7/510
D828,131 S * 9/2018 Cerasale D8/40
D845,711 S * 4/2019 Jordan D7/507
(**) Term: **15 Years** 2002/0175169 A1 * 11/2002 Tham-itthisak A47G 19/2205
220/600
(21) Appl. No.: **29/636,739** 2007/0012140 A1 * 1/2007 Howlett A47G 23/0216
81/3.09

(22) Filed: **Feb. 10, 2018**
(51) **LOC (12) Cl.** **07-99**
(52) **U.S. Cl.**
USPC **D8/33**
(58) **Field of Classification Search**
USPC D8/18, 33-43; D7/532
CPC B67B 7/00; B67B 7/0441; B67B 7/12;
B67B 7/14; B67B 7/16; B67B 7/18;
B67B 7/24; B67B 7/30; B67B 7/34;
B67B 7/40; B67B 7/406; B67B 7/44
See application file for complete search history.

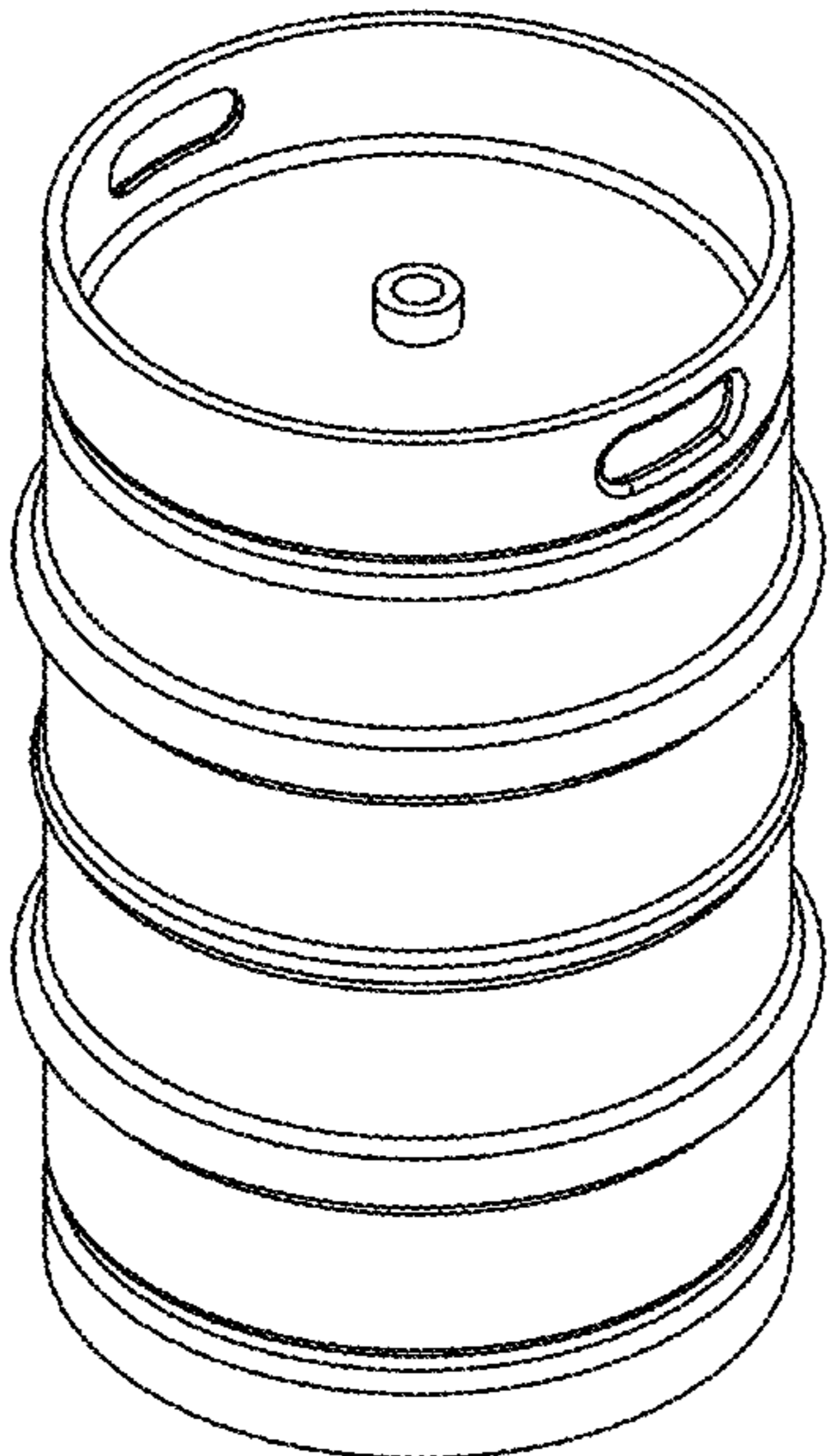
(56) **References Cited**
U.S. PATENT DOCUMENTS
829,477 A * 8/1906 Kruse B65D 7/34
220/619
1,045,055 A * 11/1912 Mittinger, Jr. 220/309.2
D138,409 S * 8/1944 Paul D23/211.2
3,297,194 A * 1/1967 Caldwell B65D 1/10
220/672
4,143,784 A * 3/1979 Frahm B65D 85/302
215/12.1
D324,492 S * 3/1992 Nickerson D9/502
D427,910 S * 7/2000 Barnes D9/502
D559,629 S * 1/2008 Gifford, Jr. D7/608
D560,874 S * 1/2008 Brans D34/39

(Continued)
Primary Examiner — Elizabeth A. Albert
(74) *Attorney, Agent, or Firm* — Vicky Kaur Batwa

(57) **CLAIM**
The ornamental design for the bottle opener, as shown and described.

DESCRIPTION
FIG. 1 is a top perspective view of the bottle opener showing my new design;
FIG. 2 is a front elevation view of the bottle opener of FIG. 1, the rear elevation view being a mirror image thereof;
FIG. 3 is a right side elevation view of the bottle opener of FIG. 1, the left side elevation view being a mirror image thereof;
FIG. 4 is a top view of the bottle opener of FIG. 1;
FIG. 5 is a bottom view of the bottle opener of FIG. 1; and,
FIG. 6 is a bottom perspective view of the bottle opener of FIG. 1.
The broken lines in the drawings are included for the purpose of illustrating unclaimed portions of the bottle opener and form no part of the claimed design.

1 Claim, 5 Drawing Sheets



(56)

References Cited

U.S. PATENT DOCUMENTS

2008/0237242 A1* 10/2008 Gifford A47G 23/0216
220/592.16
2009/0255941 A1* 10/2009 Kuntz B65D 23/0885
220/592.17
2013/0048592 A1* 2/2013 Carley B67B 7/18
215/302

* cited by examiner

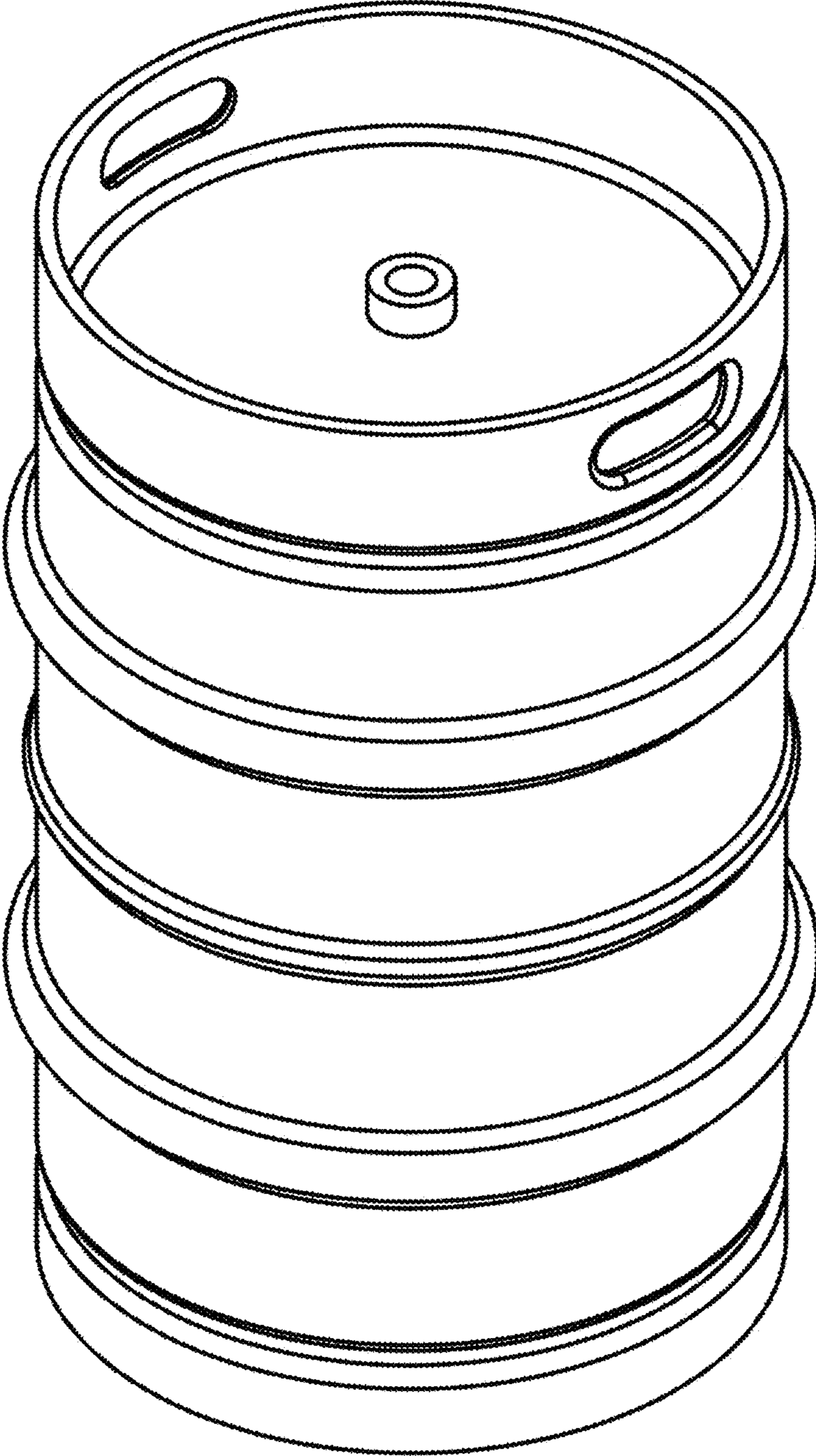


FIG. 1

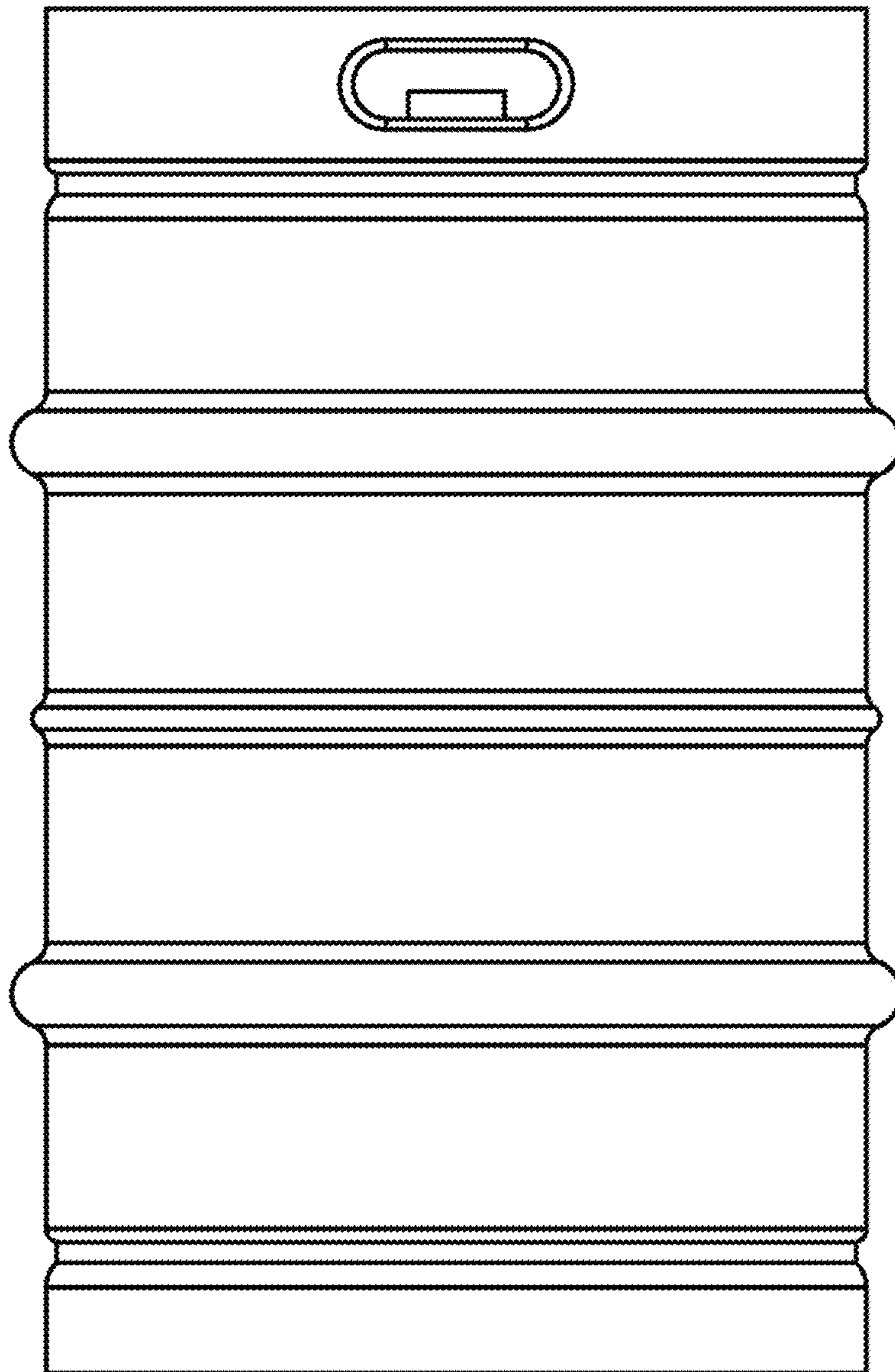


FIG. 2

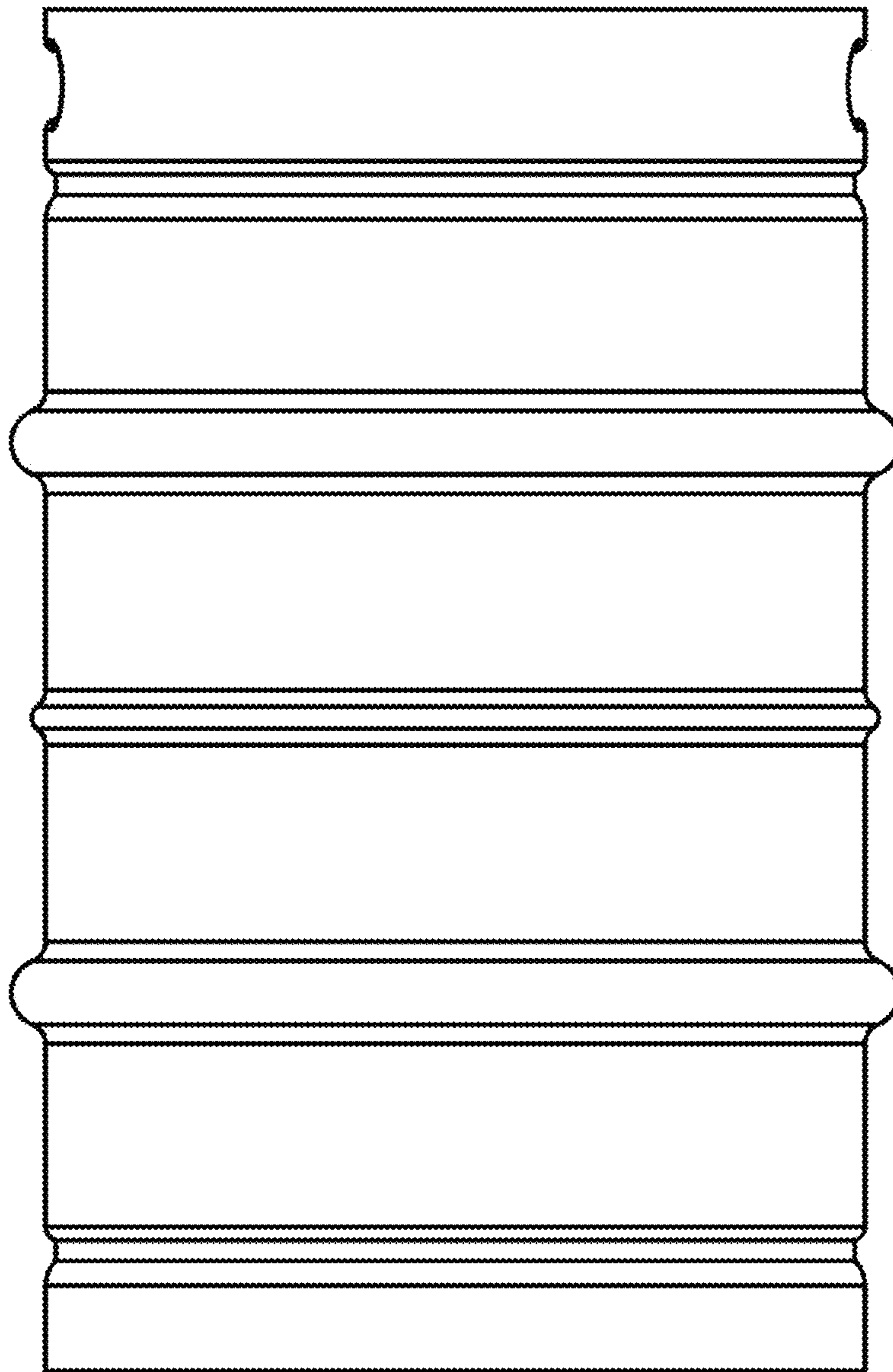


FIG. 3

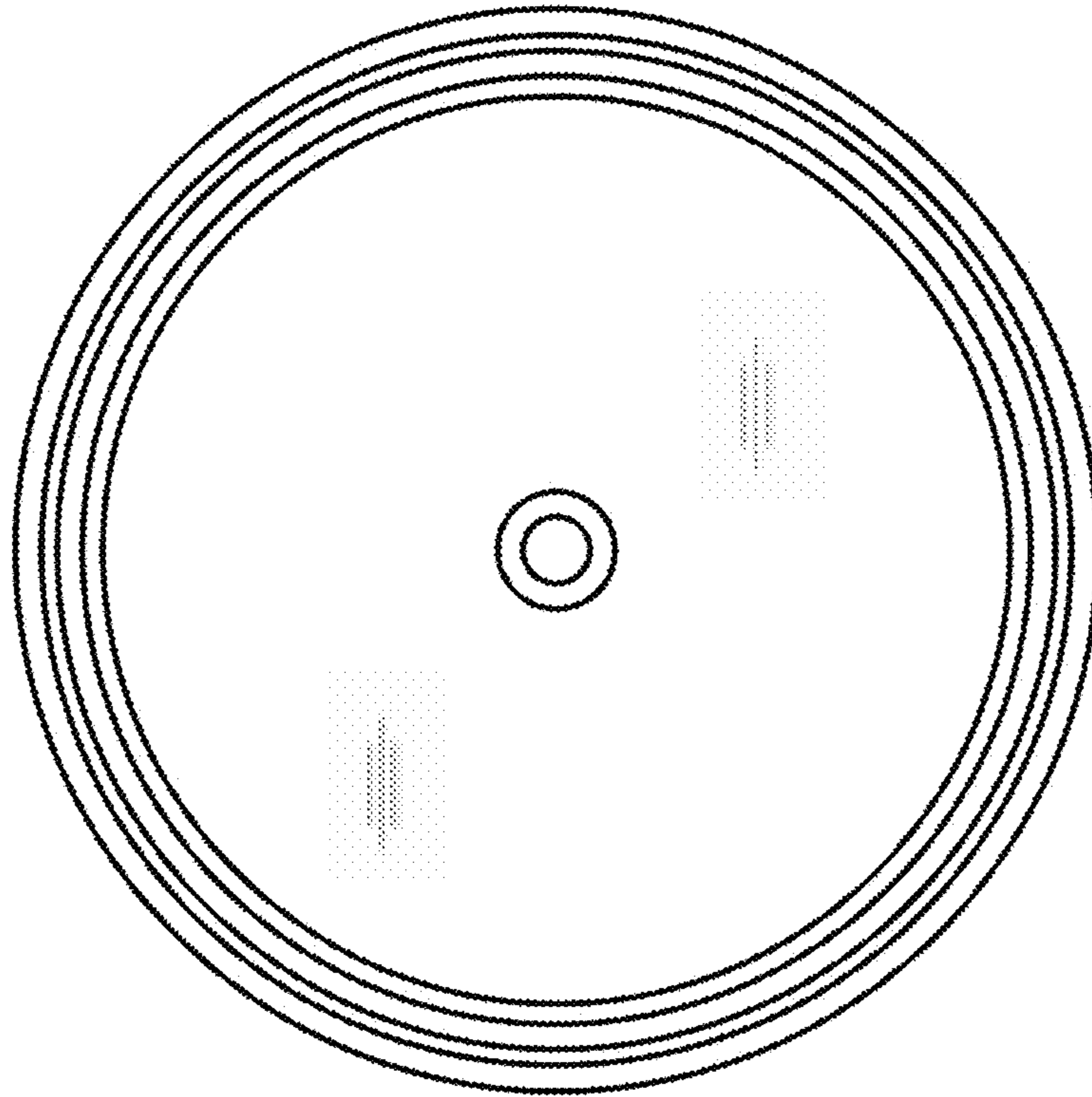


FIG. 4

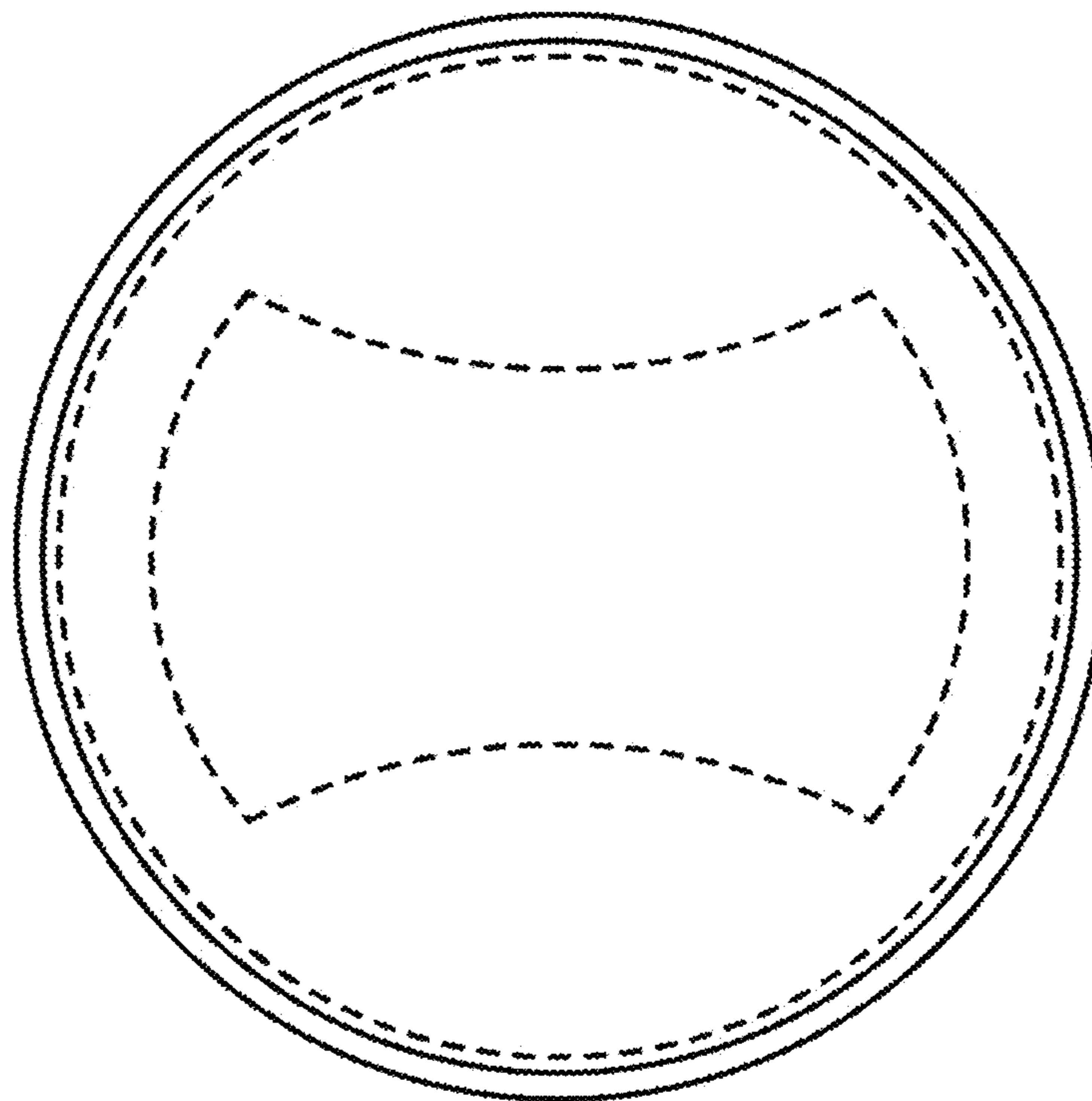


FIG. 5

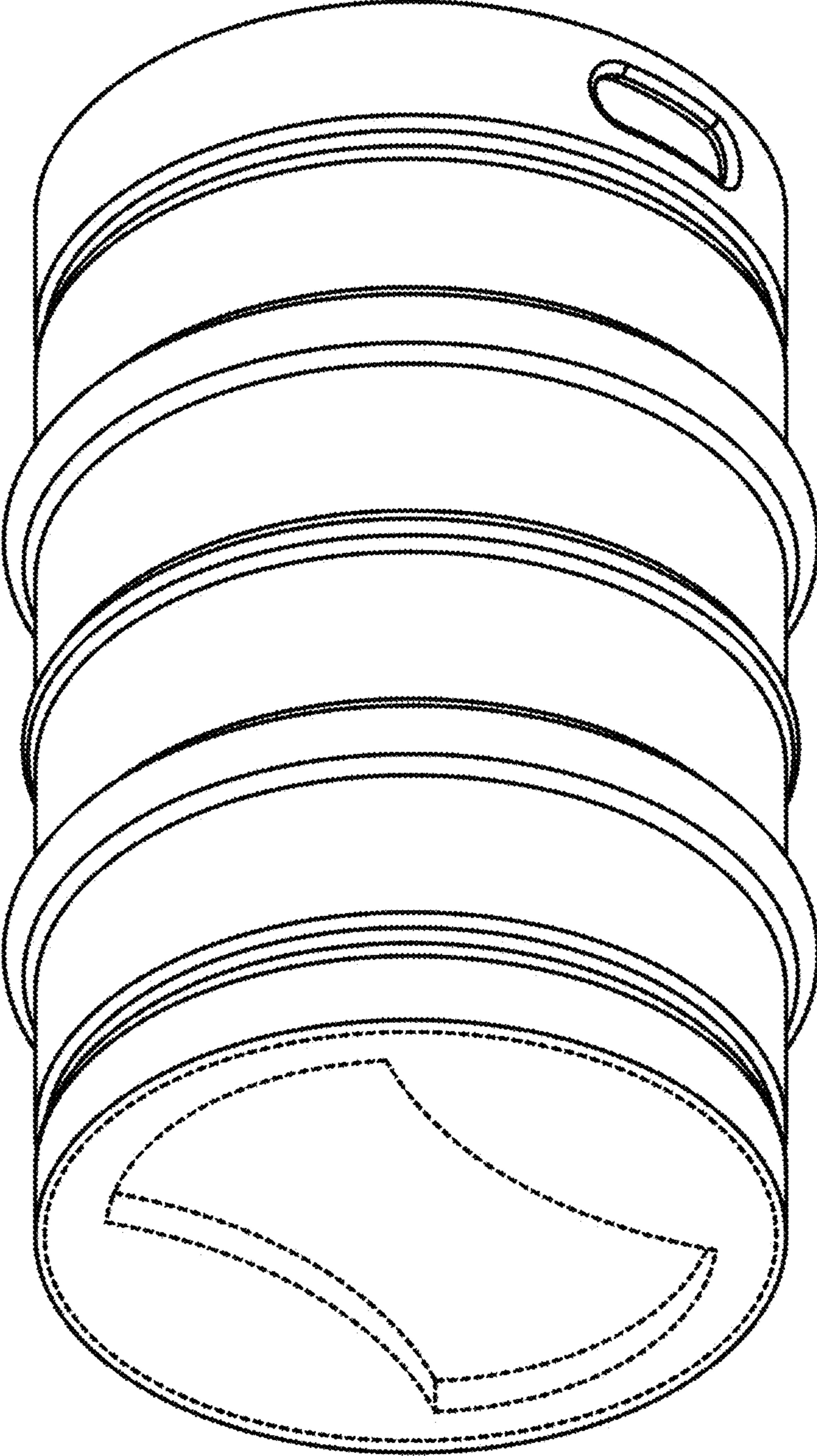


FIG. 6