



US00D887801S

(12) **United States Design Patent**
Li

(10) **Patent No.:** **US D887,801 S**

(45) **Date of Patent:** **** Jun. 23, 2020**

(54) **DIGITAL DISPLAY SOLDERING IRON**

(71) Applicant: **Qing Li**, Xianning (CN)

(72) Inventor: **Qing Li**, Xianning (CN)

(**) Term: **15 Years**

(21) Appl. No.: **29/728,679**

(22) Filed: **Mar. 20, 2020**

(51) **LOC (12) Cl.** **08-05**

(52) **U.S. Cl.**
USPC **D8/30**

(58) **Field of Classification Search**
USPC D8/29.1, 29.2, 30, 60; D15/144, 144.1,
D15/144.2
CPC . B23K 3/02; B23K 3/03; B23K 3/021; B23K
3/022; B23K 3/023; B23K 3/027; B23K
3/033; B23K 3/0338; B23K 3/0346;
B23K 3/0361; B23K 3/0323
See application file for complete search history.

(56) **References Cited**

U.S. PATENT DOCUMENTS

- D300,297 S * 3/1989 Arehart D8/30
- 5,928,536 A * 7/1999 Lee B23K 3/033
219/229
- 6,989,511 B1 * 1/2006 Tsai B23K 3/0338
219/229
- 9,314,863 B2 * 4/2016 Teraoka B23K 3/033
- D847,233 S * 4/2019 Gou D15/144
- D847,235 S * 4/2019 Gou D15/144

- D862,547 S * 10/2019 Xie D15/144.2
- D865,014 S 10/2019 Xu
- D879,169 S * 3/2020 Xu D15/144.2
- 2006/0108345 A1 * 5/2006 Shigekawa B23K 3/0338
219/229
- 2013/0105466 A1 * 5/2013 Teraoka B23K 3/033
219/538

* cited by examiner

Primary Examiner — Philip S Hyder

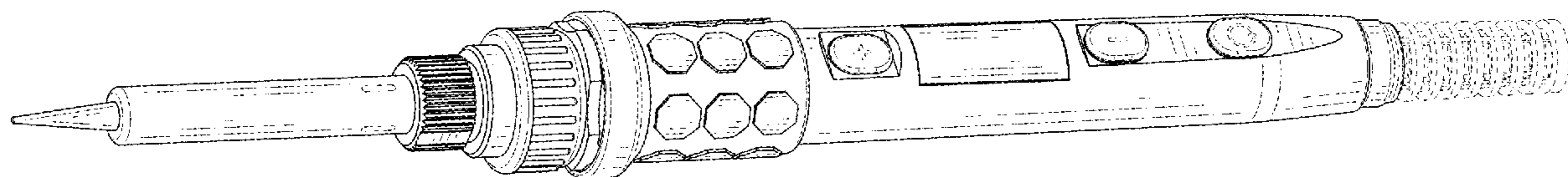
(57) **CLAIM**

The ornamental design for a digital display soldering iron, as shown and described.

DESCRIPTION

FIG. 1 is a perspective view of a digital display soldering iron showing my new design;
 FIG. 2 is another perspective view thereof;
 FIG. 3 is a front elevational view thereof,
 FIG. 4 is a rear elevational view thereof;
 FIG. 5 is a left side elevational view thereof;
 FIG. 6 is a right side elevational view thereof;
 FIG. 7 is a top plan view thereof;
 FIG. 8 is a bottom plan view thereof;
 FIG. 9 is an enlarged view of the left side elevational view shown in FIG. 5; and,
 FIG. 10 is an enlarged view of the right side elevational view shown in FIG. 6.
 The broken lines depict portions of the digital display soldering iron in which the design is embodied that are not considered part of the claimed design.

1 Claim, 10 Drawing Sheets



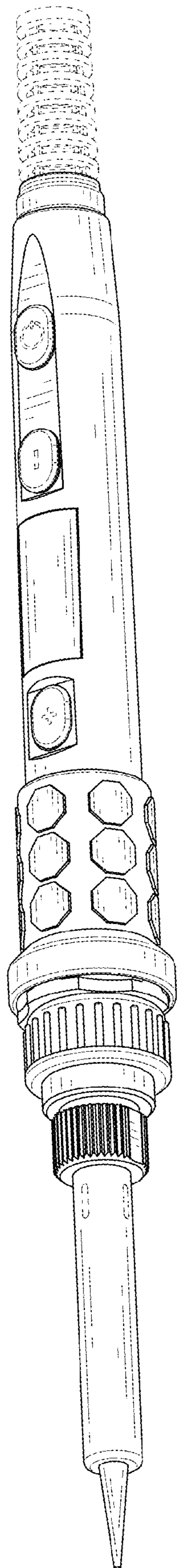


FIG. 1

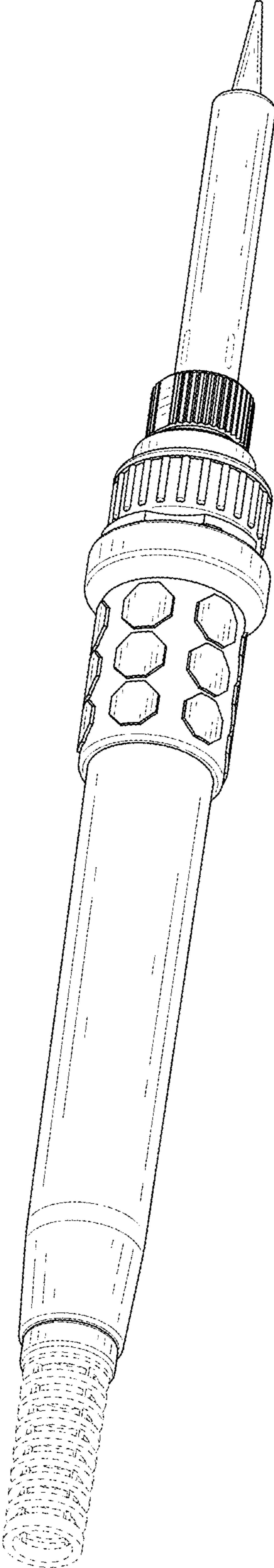


FIG. 2

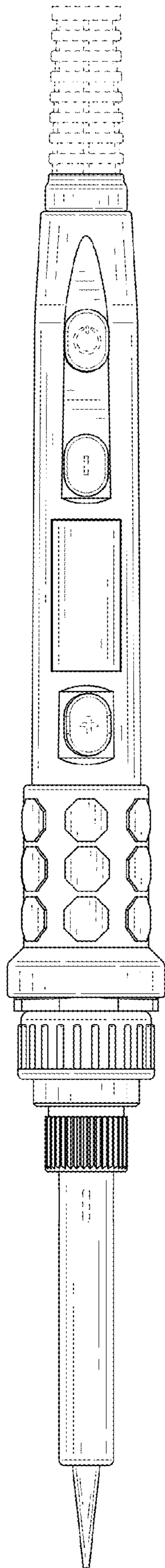


FIG. 3

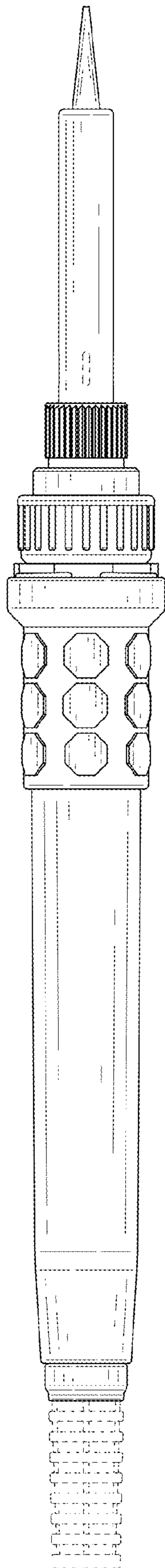


FIG. 4

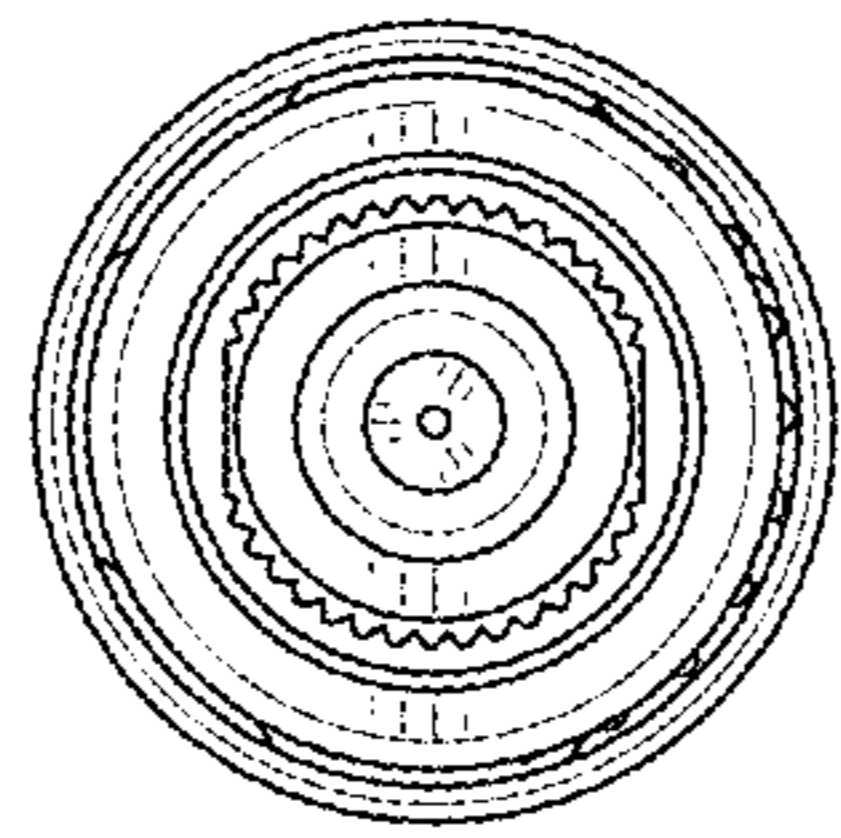


FIG. 5

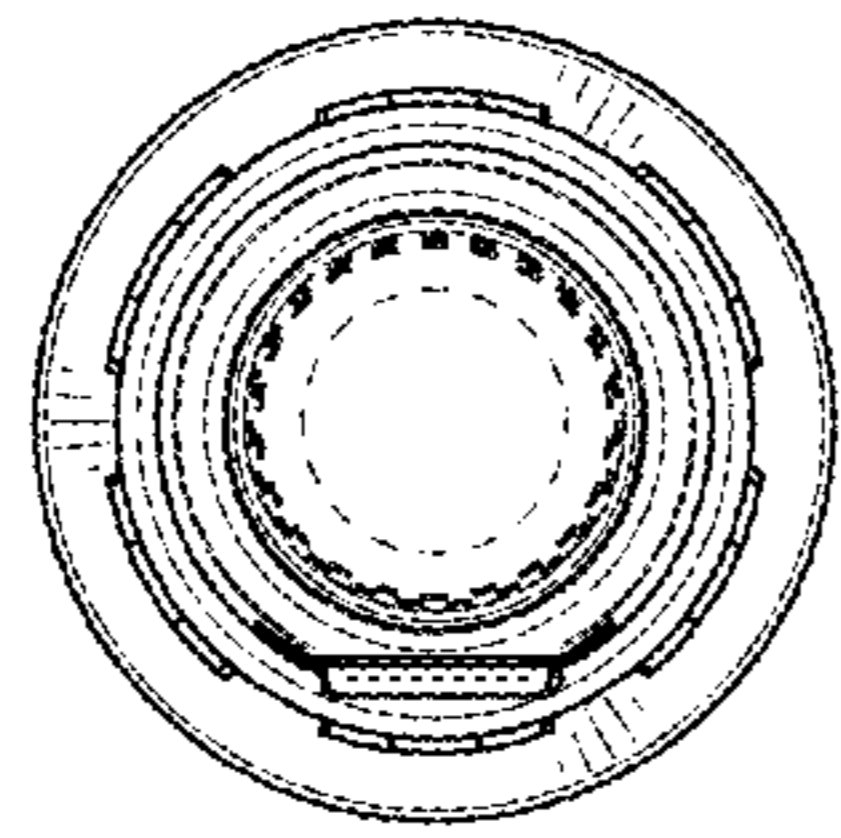


FIG. 6

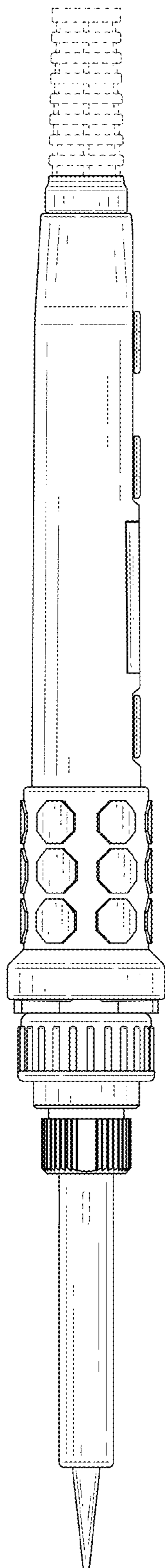


FIG. 7

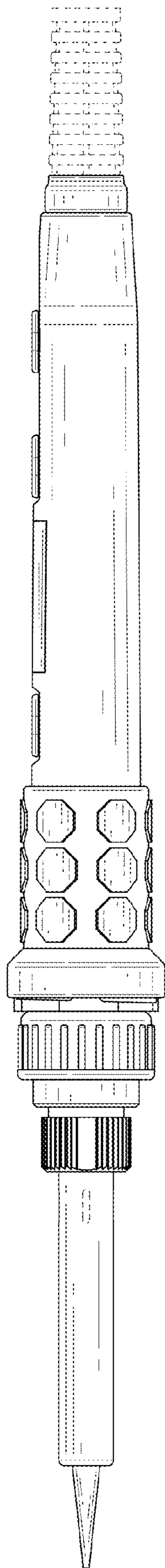


FIG. 8

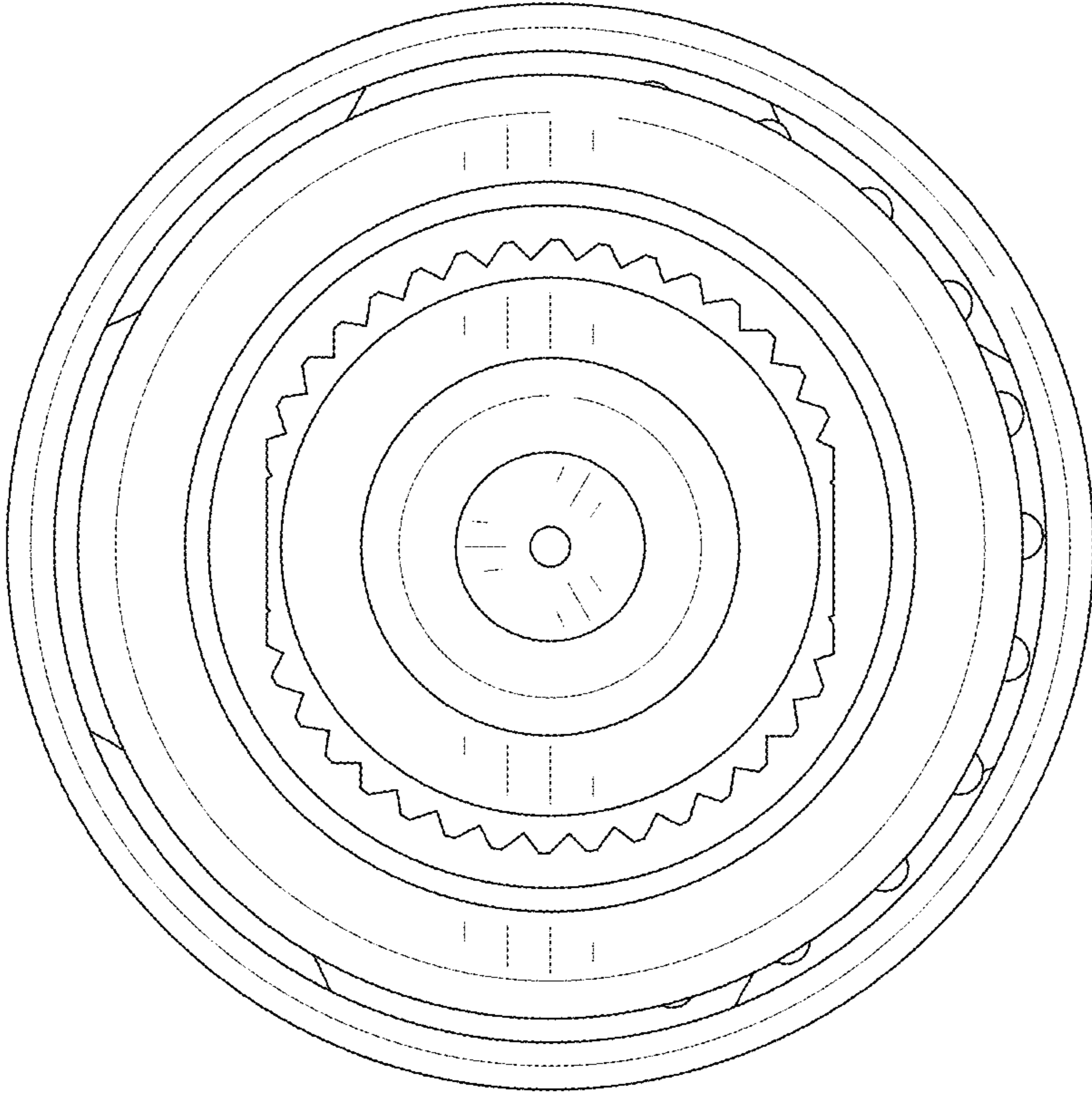


FIG. 9

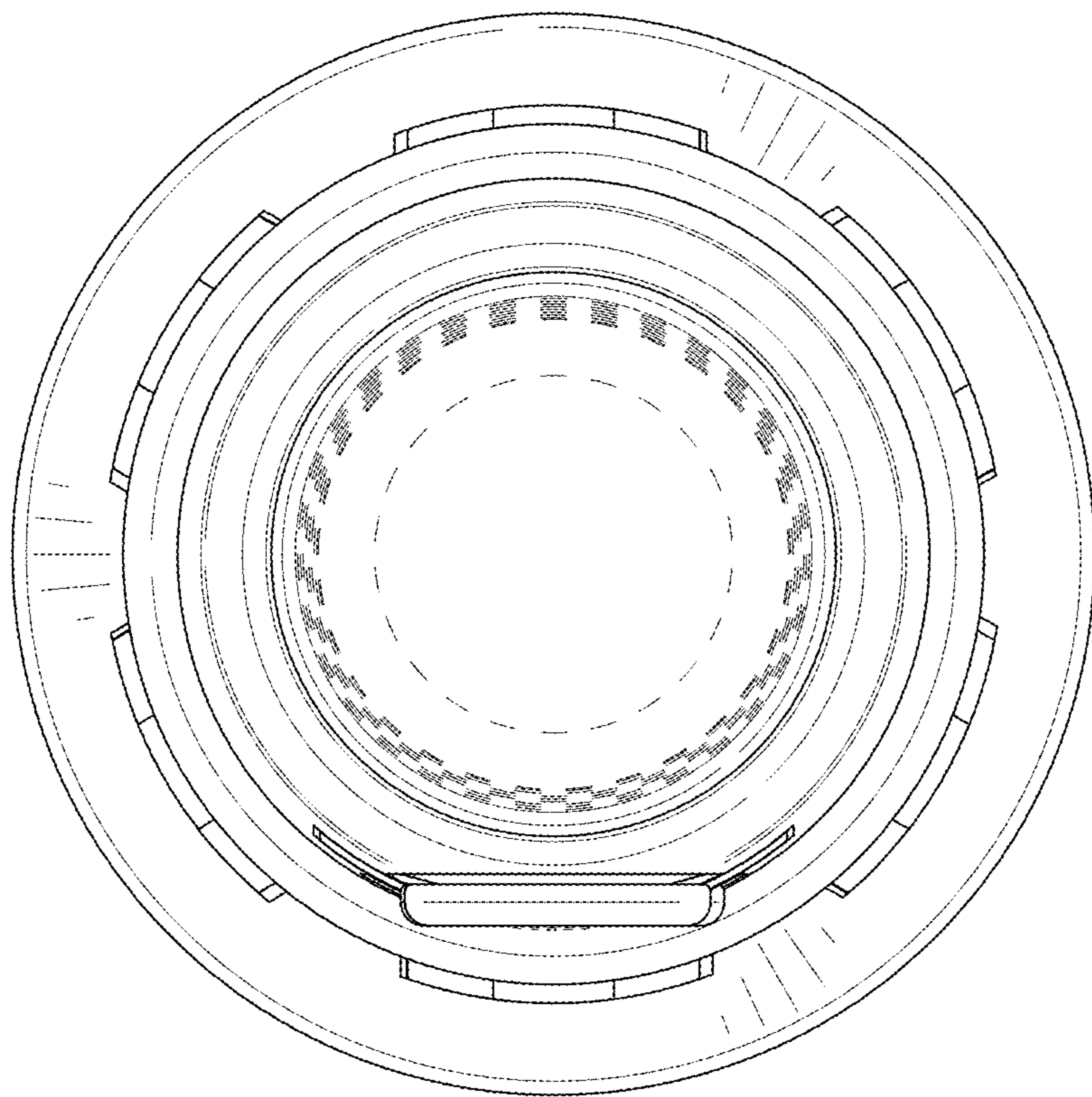


FIG. 10