



US00D887796S

(12) **United States Design Patent**
Chiang

(10) **Patent No.:** **US D887,796 S**

(45) **Date of Patent:** **** Jun. 23, 2020**

(54) **WINE GLASS RACK**
(71) Applicant: **MyGift Enterprise, LLC**, Woodinville,
WA (US)
(72) Inventor: **Cliff Chiang**, Woodinville, WA (US)
(**) Term: **15 Years**

D338,127 S * 8/1993 Bass D6/570
5,358,128 A * 10/1994 Belokin A47B 73/008
211/75
D568,697 S * 5/2008 Allen D7/708
D609,955 S * 2/2010 Parker D6/570
D768,408 S * 10/2016 Blaine, III D6/570
2007/0023371 A1* 2/2007 Noga A47B 81/00
211/75
2016/0157606 A1* 6/2016 Kaelin B08B 9/42
211/74

(21) Appl. No.: **29/657,084**
(22) Filed: **Jul. 19, 2018**
(51) **LOC (12) Cl.** **06-04**
(52) **U.S. Cl.**
USPC **D7/701**

* cited by examiner

Primary Examiner — Terry A Wallace

(74) *Attorney, Agent, or Firm* — Dean Craine; Marisa Whitaker

(58) **Field of Classification Search**
USPC D7/600.1–600.4, 701–708; D6/552, 567,
D6/569, 574, 571, 572, 553, 554, 682.2
CPC A47G 25/746; A47B 71/00; A47B 71/004;
A47B 81/005; A47B 81/00; A47B 73/00;
A47B 73/004; A47B 73/006; A47B
73/008; A47F 7/00; A47F 7/28; A63D
15/10; B08B 9/42; A45D 20/12
See application file for complete search history.

(57) **CLAIM**

The ornamental design for the wine glass rack, as shown and described.

DESCRIPTION

FIG. 1 is a top perspective view of a wine glass rack showing my new design.

FIG. 2 is a front elevational view thereof.

FIG. 3 is a rear elevational thereof.

FIG. 4 is a top plan view thereof.

FIG. 5 is a bottom plan view thereof.

FIG. 6 is a left side elevational view thereof; and,

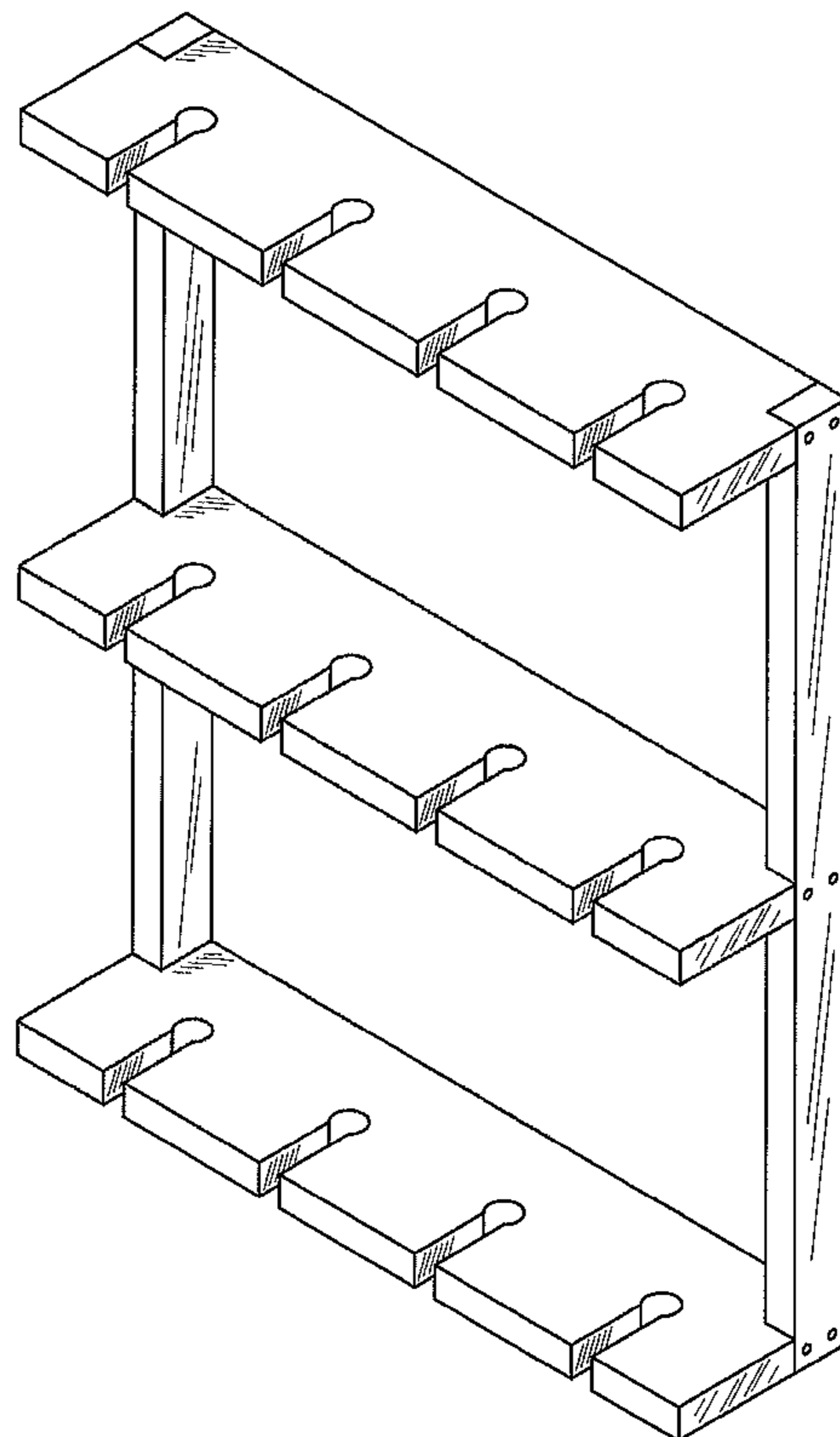
FIG. 7 is a right side elevational view thereof.

(56) **References Cited**

U.S. PATENT DOCUMENTS

3,349,922 A * 10/1967 Morrison A47G 25/746
211/113
D247,660 S * 4/1978 Tortorici D6/553
4,871,074 A * 10/1989 Bryson A45D 20/12
211/26
D324,960 S * 3/1992 Rodack D6/320

1 Claim, 5 Drawing Sheets



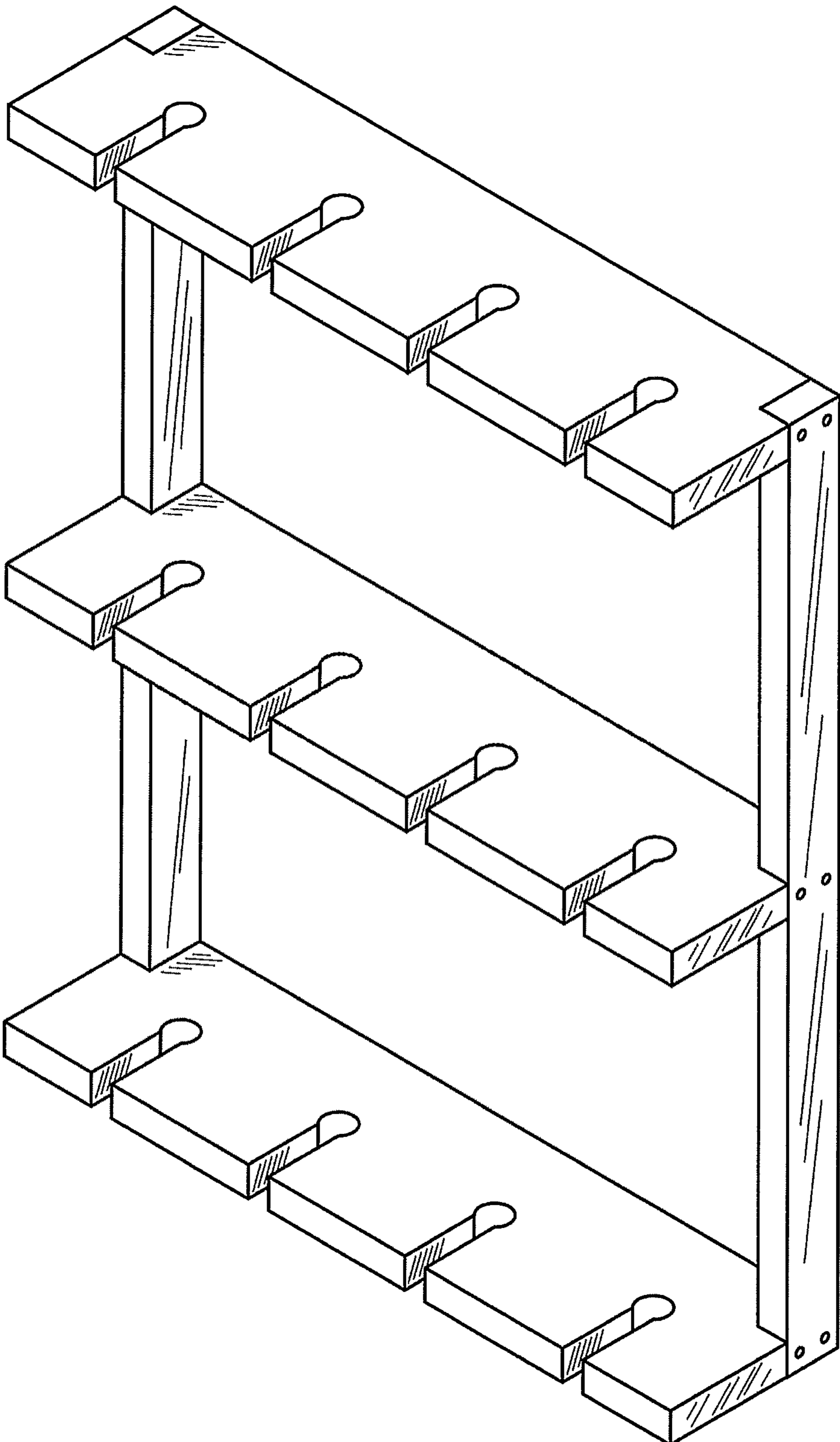


FIG. 1

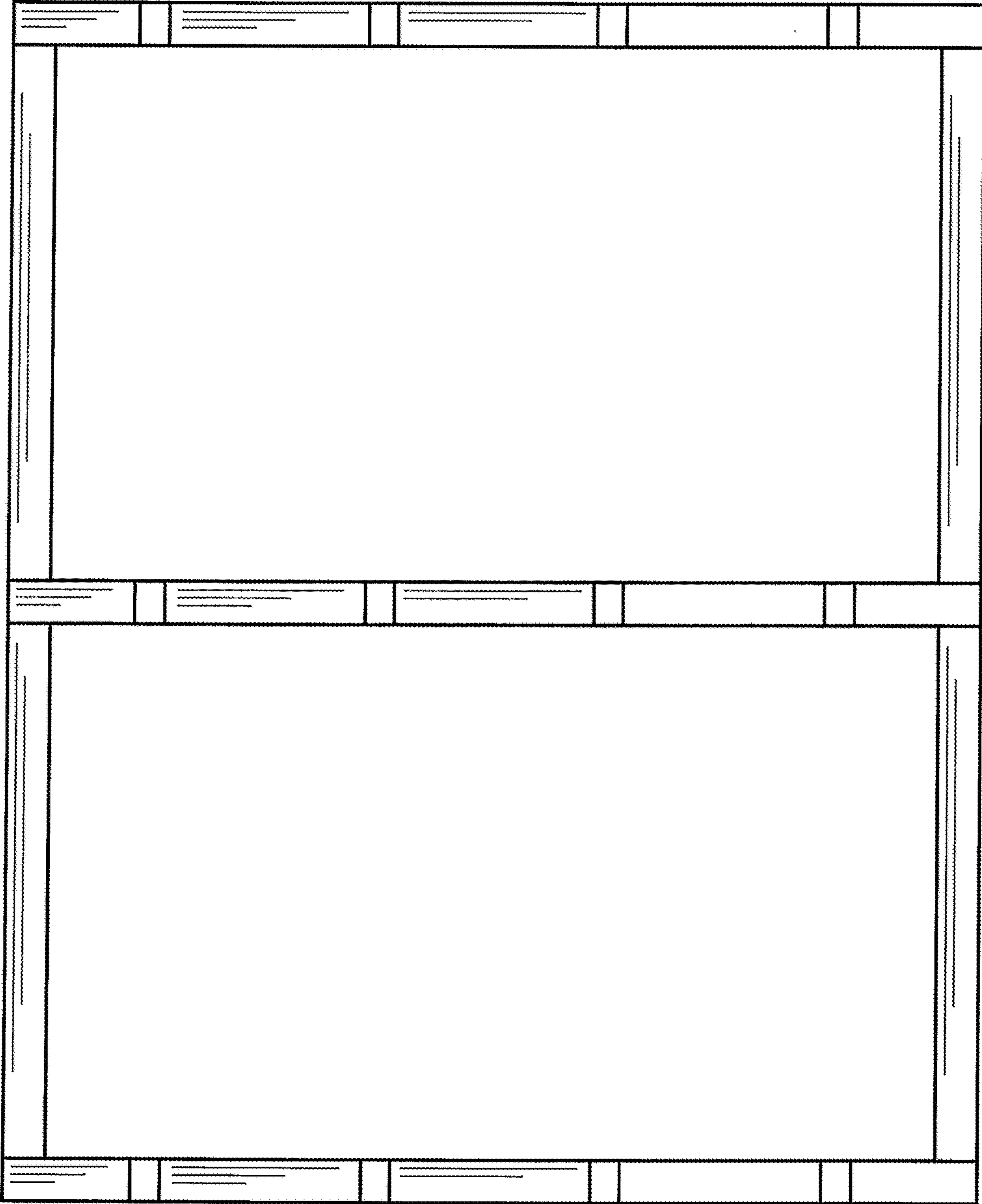


FIG. 2

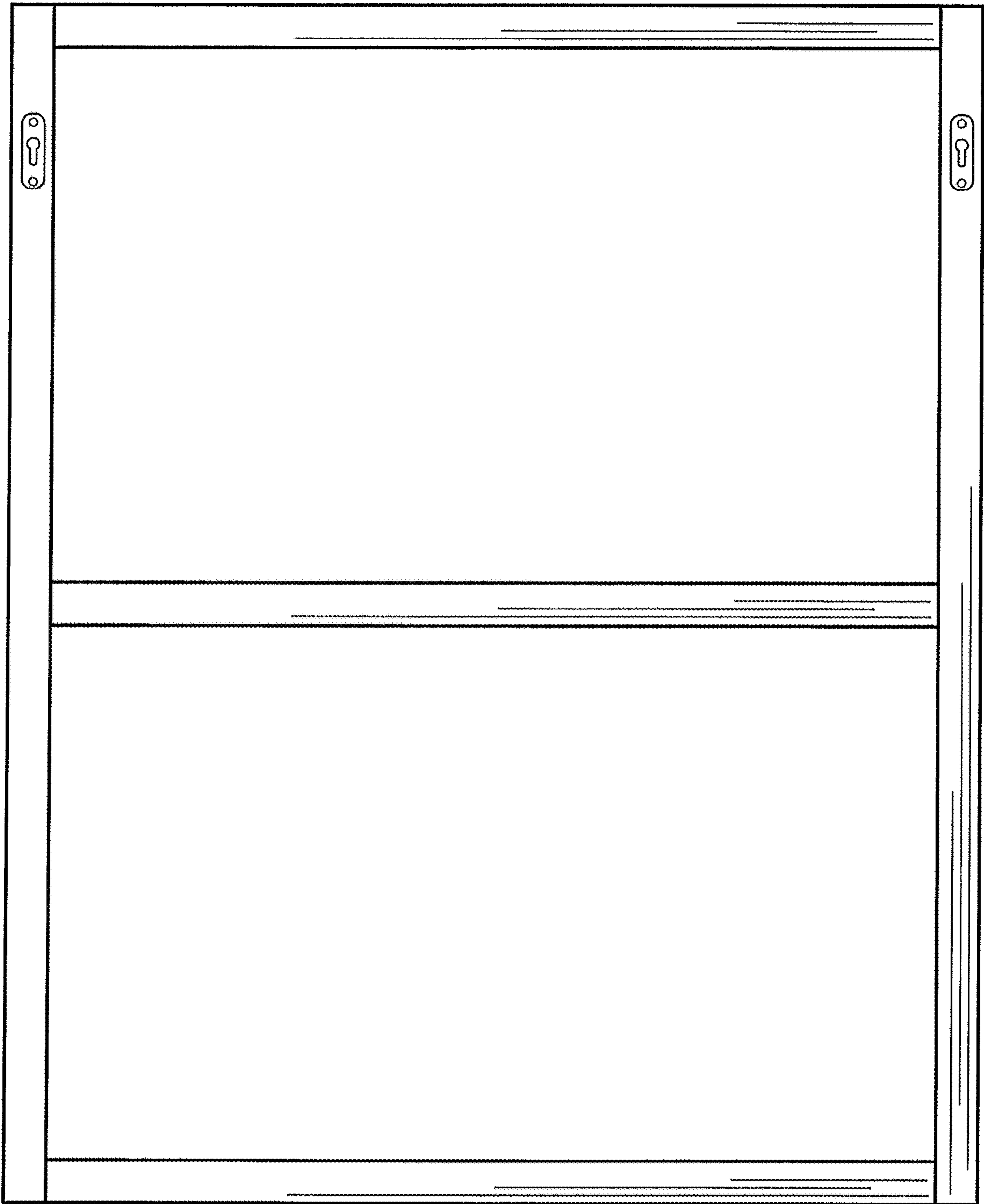


FIG. 3

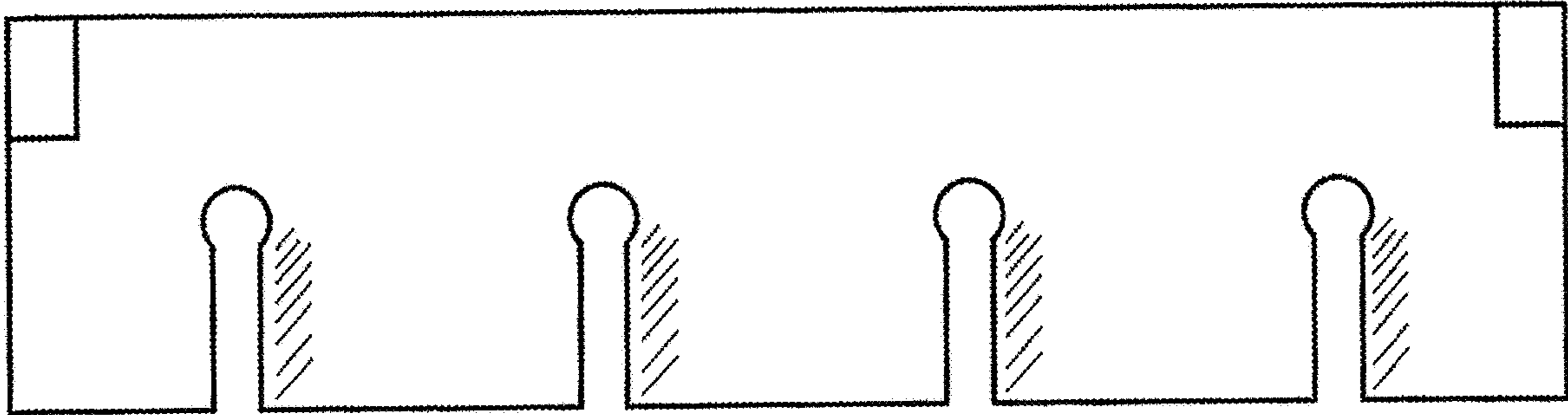


FIG. 4

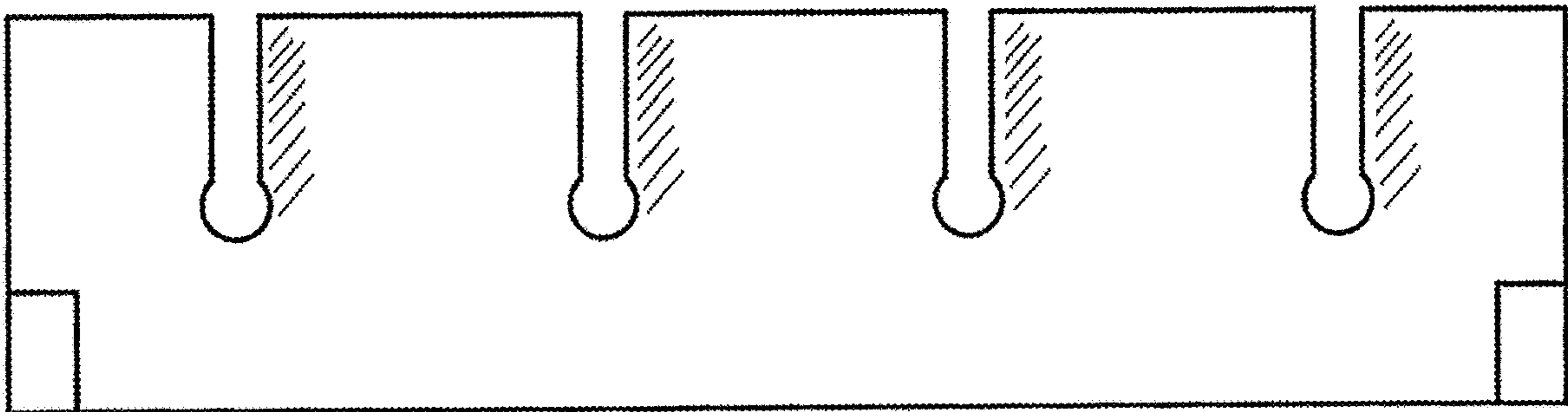


FIG. 5

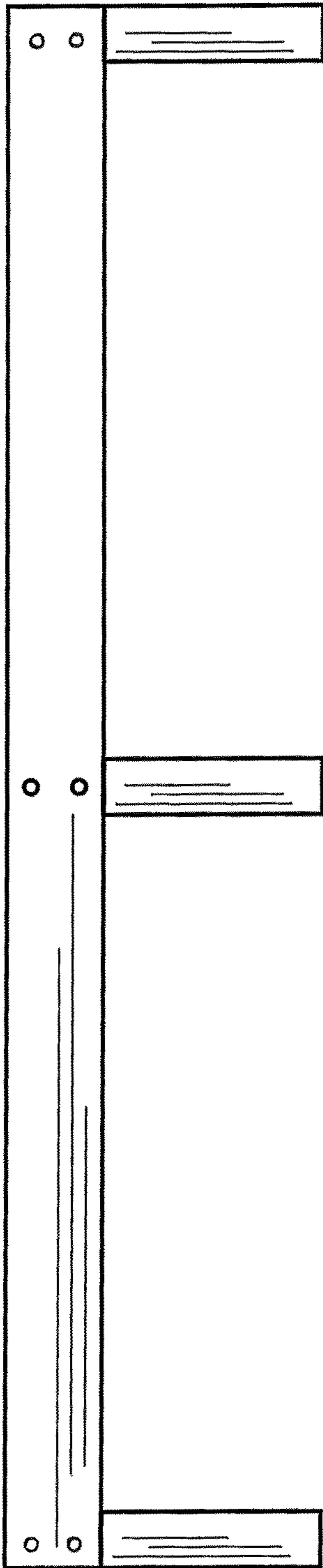


FIG. 6

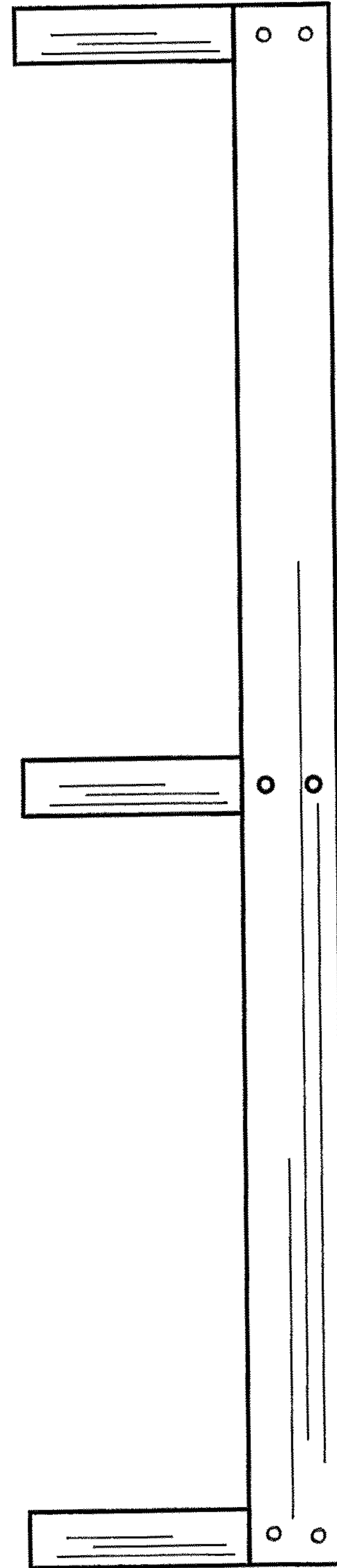


FIG. 7