



US00D887795S

(12) **United States Design Patent**
Hugo

(10) **Patent No.:** **US D887,795 S**

(45) **Date of Patent:** **** *Jun. 23, 2020**

(54) **CUTTING BOARD**

(71) Applicant: **Edgar Hugo**, Miami, FL (US)

(72) Inventor: **Edgar Hugo**, Miami, FL (US)

(*) Notice: This patent is subject to a terminal disclaimer.

(**) Term: **15 Years**

(21) Appl. No.: **29/661,802**

(22) Filed: **Aug. 30, 2018**

(51) **LOC (12) Cl.** **07-04**

(52) **U.S. Cl.**
USPC **D7/698**

(58) **Field of Classification Search**
USPC D7/543, 549, 550.1, 586, 698-699;
D32/55-57
CPC A47J 43/25; A47J 47/00; A47J 47/005;
A47J 47/20; B26D 7/0006; B26D 7/018;
B26D 7/20; B23D 21/00; B23K 37/04;
B23K 37/053; B23Q 16/001
See application file for complete search history.

(56) **References Cited**

U.S. PATENT DOCUMENTS

- 2,866,556 A * 12/1958 Hinz A47J 47/005
210/498
- D239,689 S * 4/1976 Doman D7/698
- 4,243,184 A * 1/1981 Wright A47J 43/25
241/273.2
- D363,417 S * 10/1995 Kelley D7/698

- 6,702,273 B1 * 3/2004 Sellers A47J 47/005
269/285
- D615,826 S * 5/2010 Tsui D7/698
- 10,342,387 B1 * 7/2019 Hugo A47J 47/005
- 2007/0245573 A1 * 10/2007 Willen A47J 47/005
30/302
- 2007/0267800 A1 * 11/2007 Zeng A47J 47/005
269/302.1
- 2009/0014935 A1 * 1/2009 Zeng A47J 47/005
269/302.1

* cited by examiner

Primary Examiner — Ricky Pham

(74) *Attorney, Agent, or Firm* — Christopher J. VanDam;
Chris Vandam

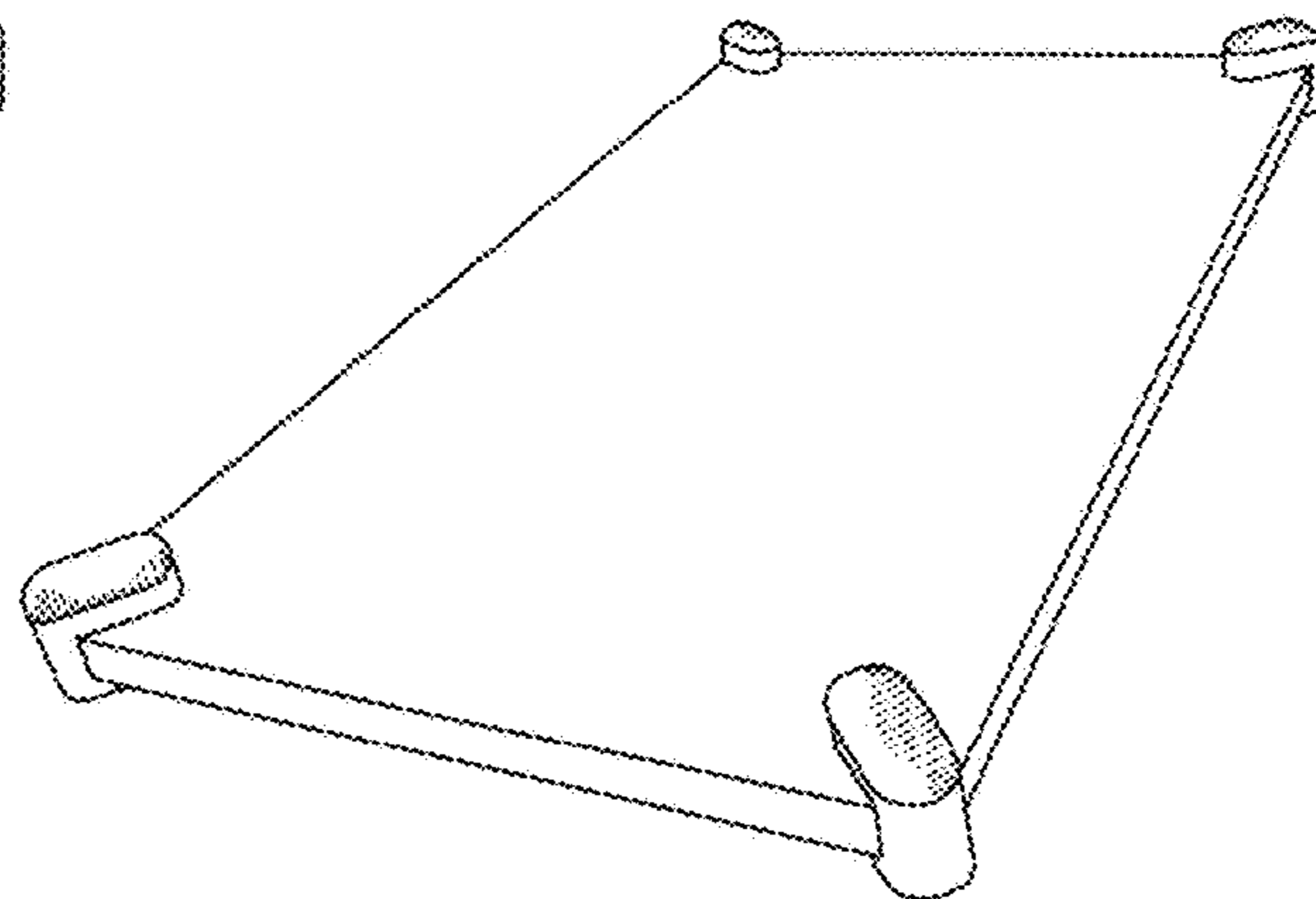
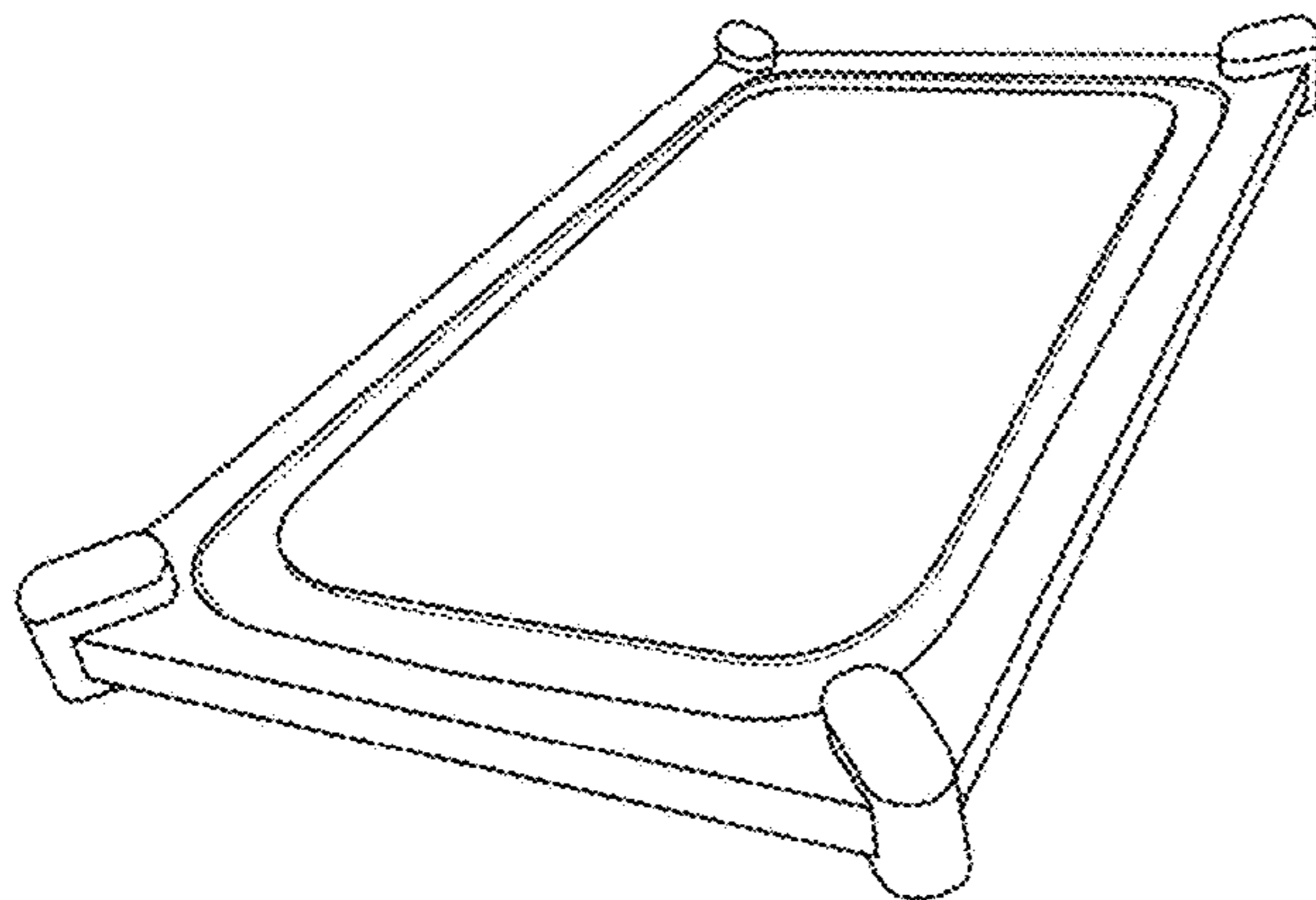
(57) **CLAIM**

The ornamental design for a cutting board, as shown in the drawings.

DESCRIPTION

FIG. 1 shows a top plan view of a cutting board.
 FIG. 2 shows a bottom plan view of the cutting board.
 FIG. 3 shows a side elevation view of the cutting board.
 FIG. 4 shows a side elevation view of two stacked cutting boards.
 FIG. 5 shows a perspective view of the top side of the cutting board; and,
 FIG. 6 shows a perspective view of the bottom side of the cutting board.

1 Claim, 3 Drawing Sheets



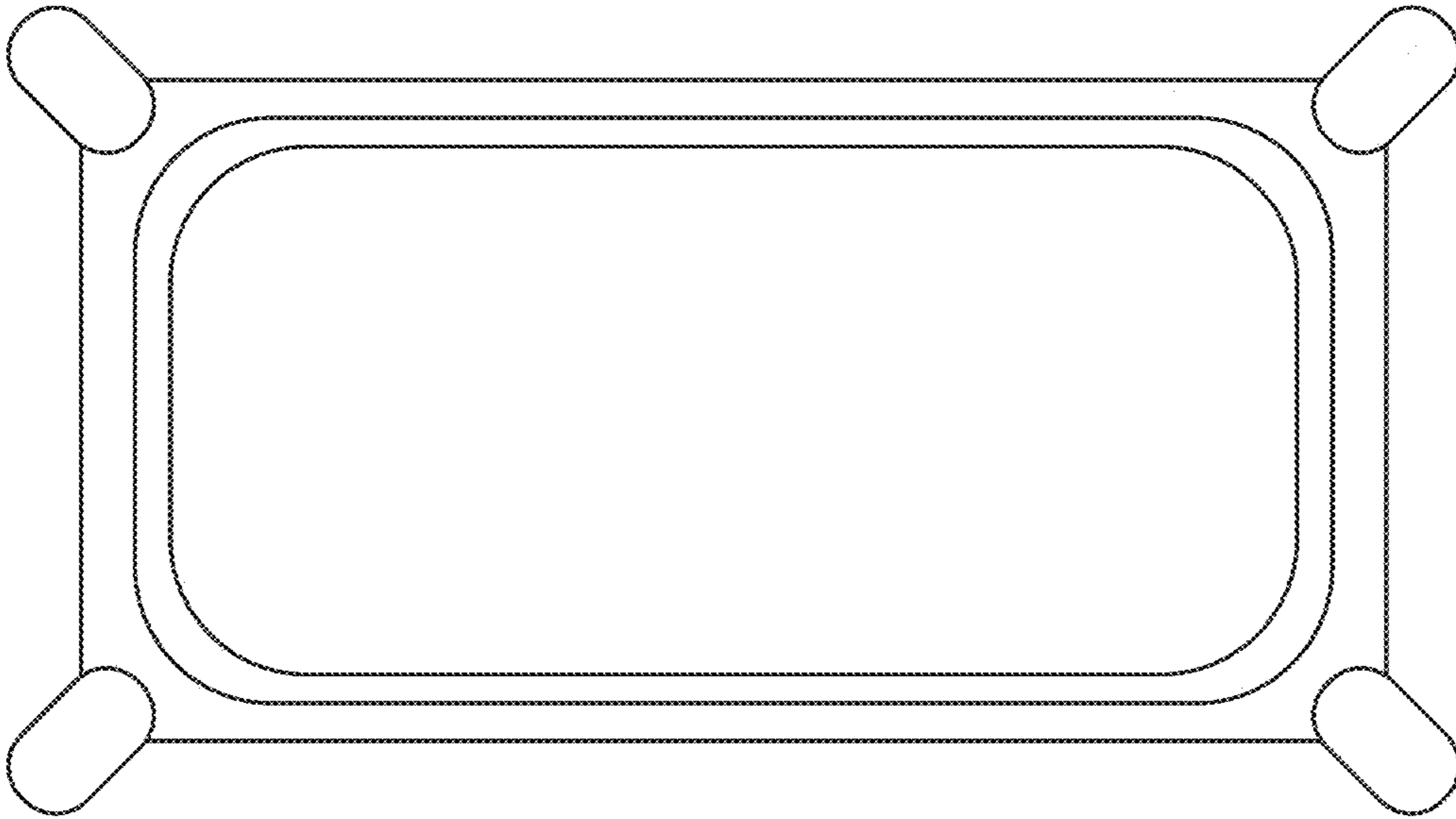


FIG 1

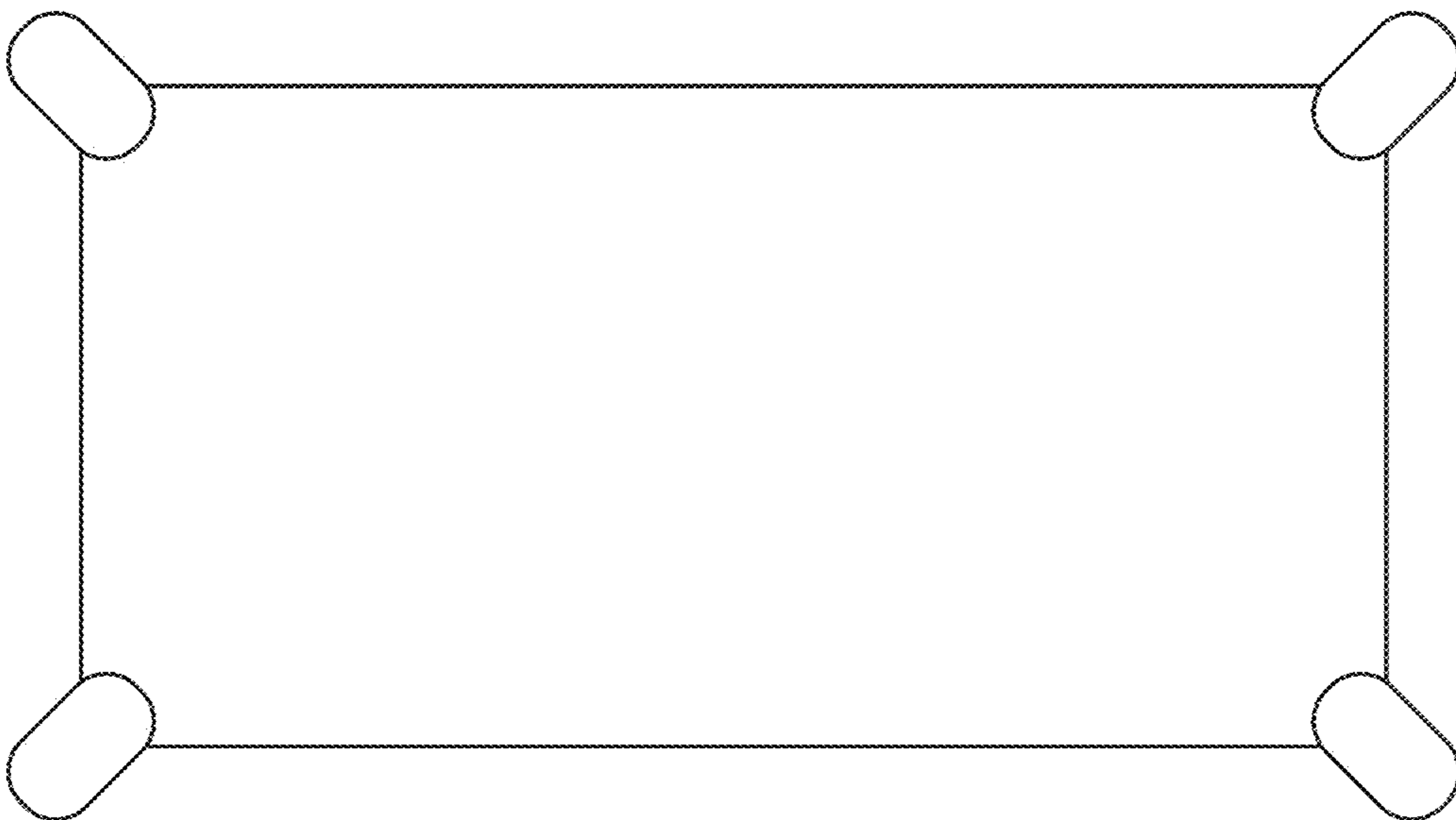


FIG 2

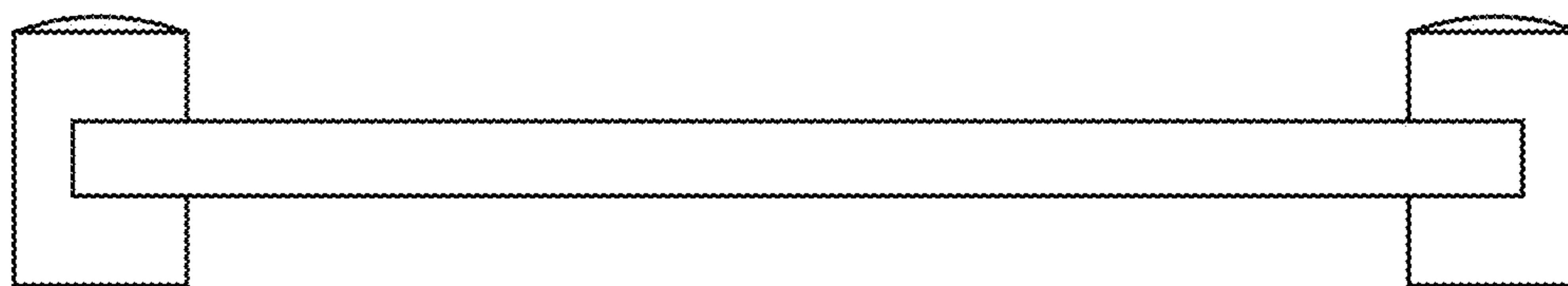


FIG 3

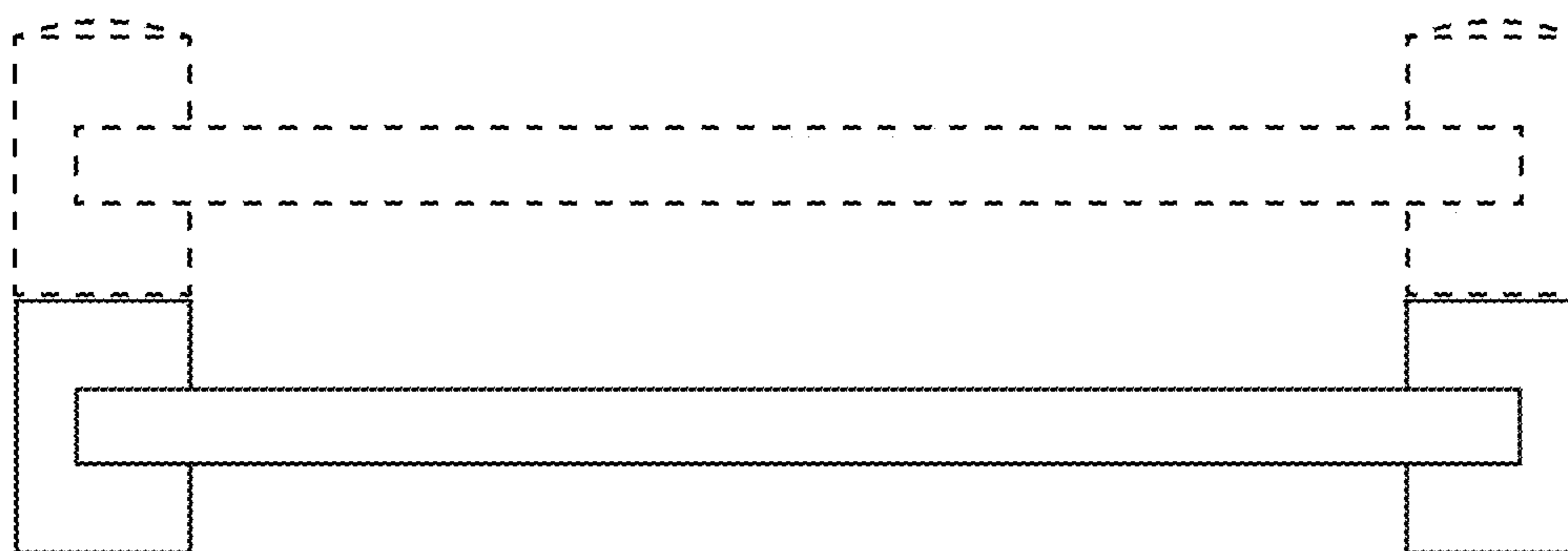


FIG 4

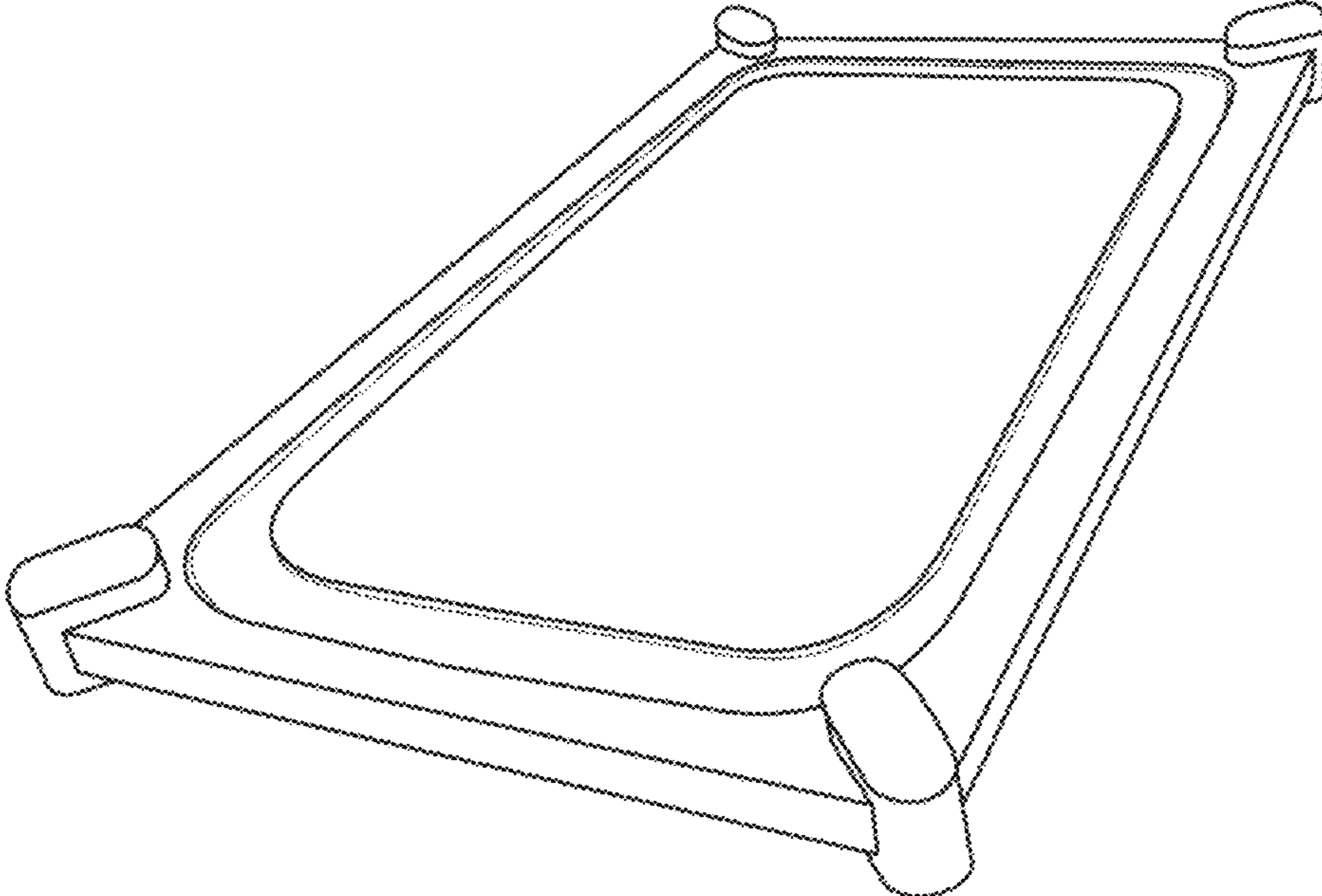


FIG 5

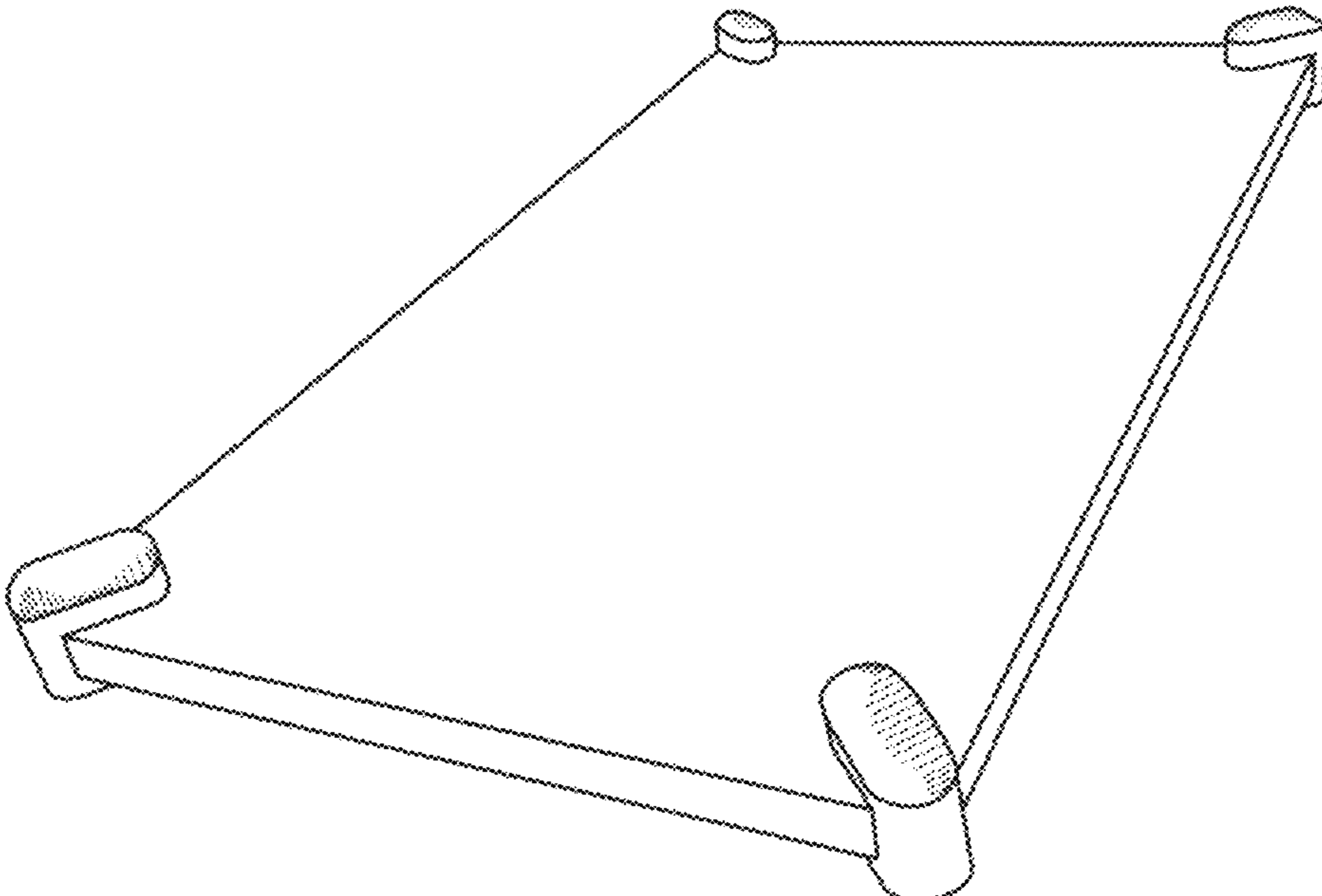


FIG 6