



US00D887791S

(12) **United States Design Patent**
Yang

(10) **Patent No.:** **US D887,791 S**

(45) **Date of Patent:** **** Jun. 23, 2020**

- (54) **SQUARE PAIL WITH HANDLE**
- (71) Applicant: **ANJI CHANGHONG CHAIN MANUFACTURING CO., LTD**, Anji (CN)
- (72) Inventor: **Weibo Yang**, Anji (CN)
- (73) Assignee: **ANJI CHANGHONG CHAIN MANUFACTURING CO., LTD**, Anji (CN)

D515,313	S	*	2/2006	Uffner	D3/273
D540,992	S	*	4/2007	Fick	D3/294
D554,302	S	*	10/2007	Fick	D3/294
D590,668	S	*	4/2009	Kim	D7/629
D628,020	S	*	11/2010	Lim	D7/629
10,077,138	B2	*	9/2018	Albrecht	B65D 21/0212
D867,708	S	*	11/2019	Bergman	D32/53.1
2012/0132558	A1	*	5/2012	Busch	B65D 21/062 206/503

(**) Term: **15 Years**

* cited by examiner

Primary Examiner — Derrick E Holland

Assistant Examiner — Andrew Kerr

(21) Appl. No.: **29/650,322**

(22) Filed: **Jun. 6, 2018**

(51) **LOC (12) Cl.** **07-01**

(52) **U.S. Cl.**
USPC **D7/629; D32/53**

(58) **Field of Classification Search**
USPC D7/602, 603, 605, 612, 614, 629;
D3/201, 203.1, 272, 273, 276, 294, 302,
D3/304; D9/414, 420, 423, 424, 425,
D9/431, 432; D34/1
CPC B65D 21/00; B65D 21/02; B65D 21/0201;
B65D 21/0212; B65D 21/0215; B65D
21/0216; B65D 21/0217
See application file for complete search history.

(57) **CLAIM**

The ornamental design for a square pail with handle, as shown and described.

(56) **References Cited**

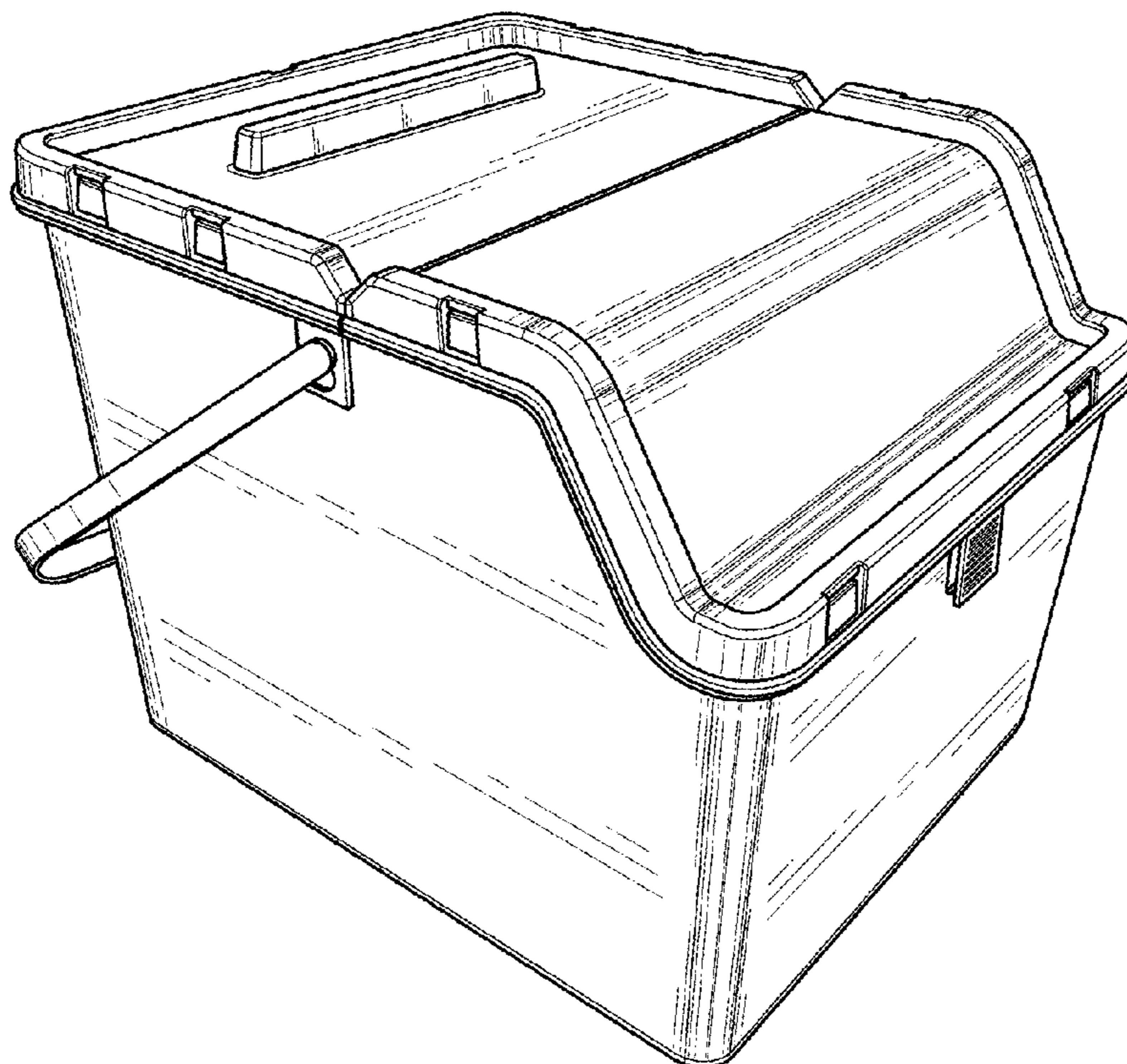
U.S. PATENT DOCUMENTS

- 4,260,069 A * 4/1981 Juergens B65D 43/0202
220/812
- 5,673,811 A * 10/1997 Dickinson B65D 43/02
220/345.4

DESCRIPTION

FIG. 1 is a perspective view of a square pail with handle showing my new design;
FIG. 2 is a left view thereof;
FIG. 3 is a right view thereof;
FIG. 4 is a front view thereof;
FIG. 5 is a rear view thereof;
FIG. 6 is a bottom view thereof; and,
FIG. 7 is a top view thereof.
The broken lines in the drawings depict portions of the square pail with handle that form no part of the claimed design

1 Claim, 7 Drawing Sheets



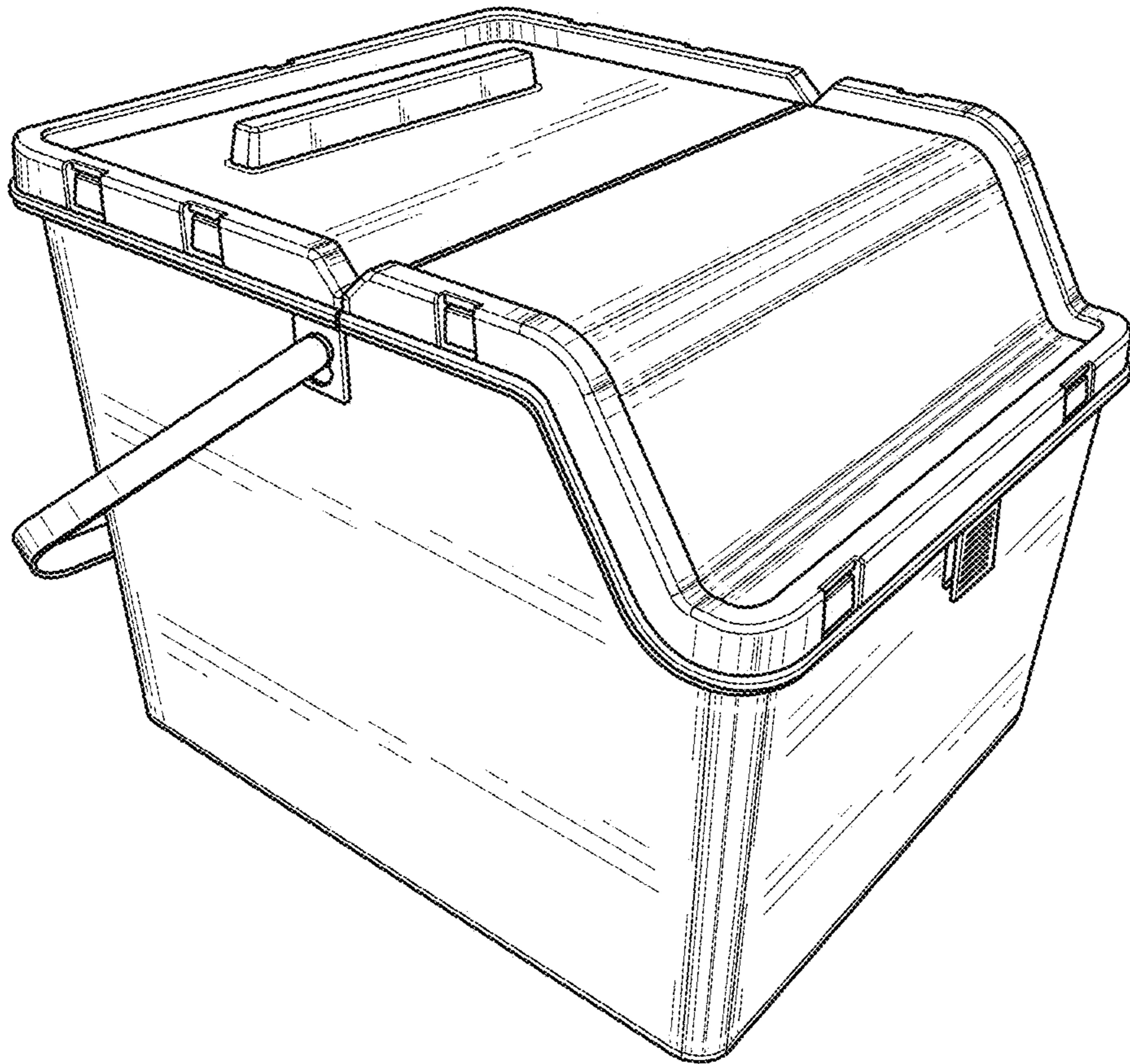


FIG. 1

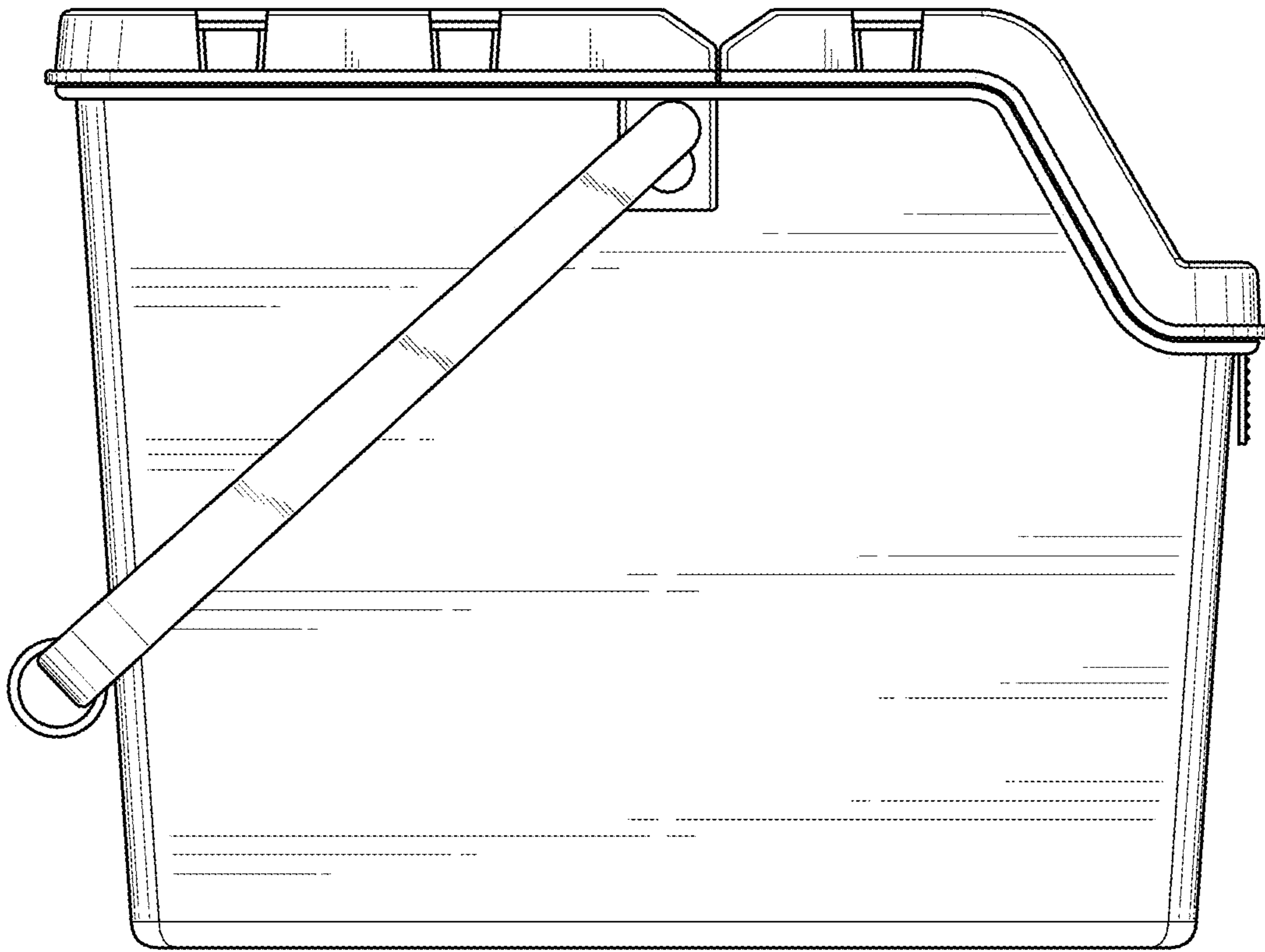


FIG. 2

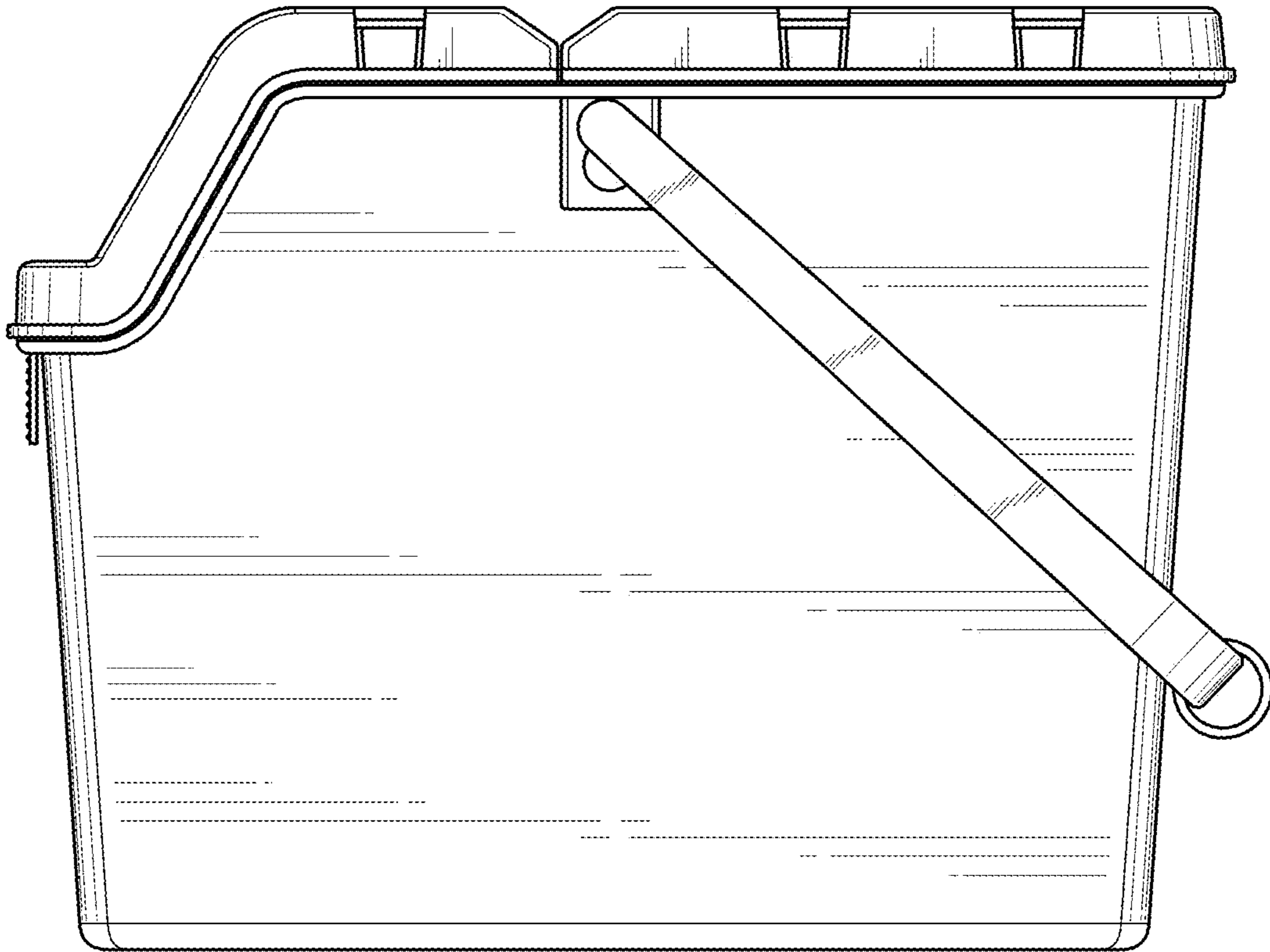


FIG. 3

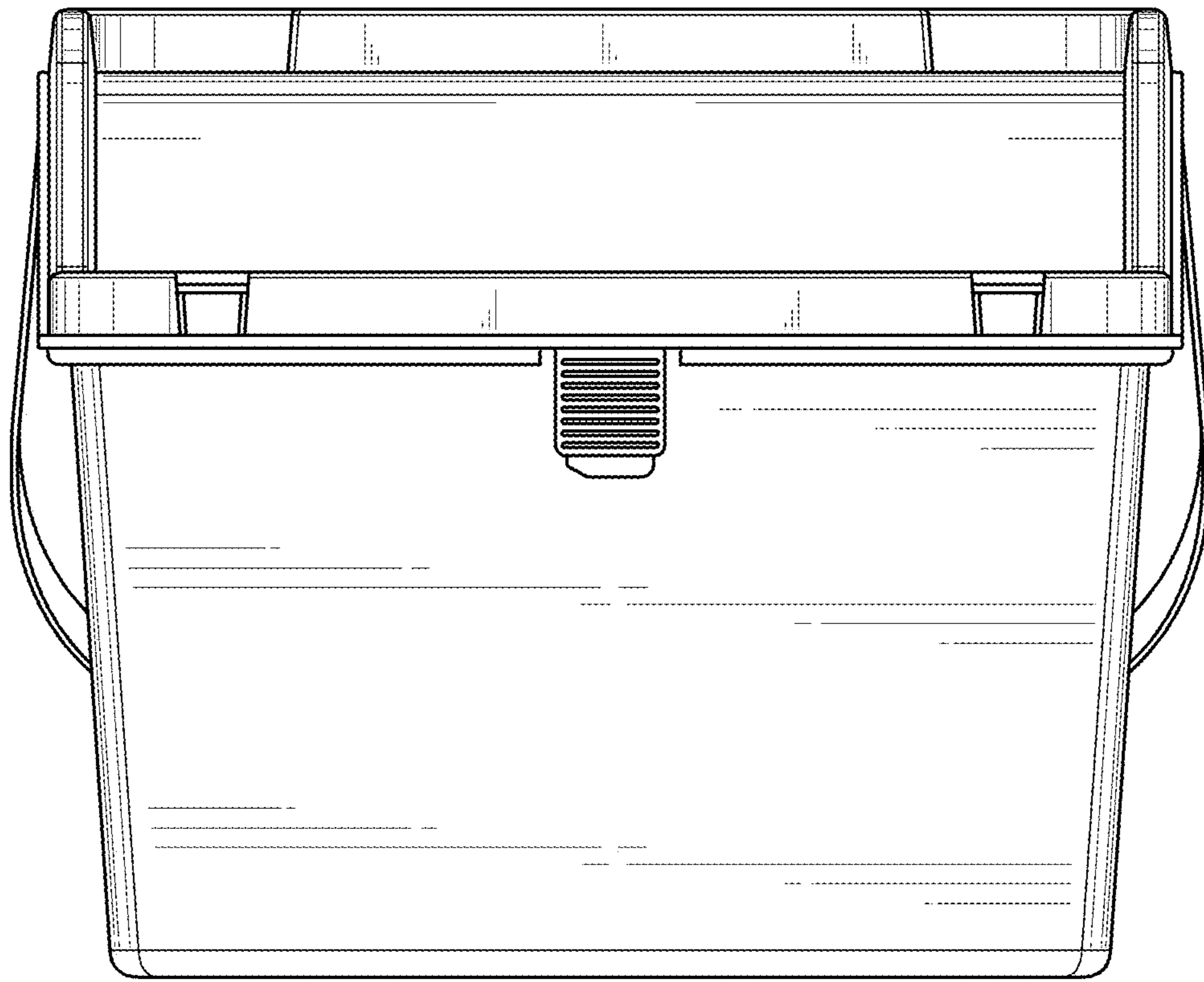


FIG. 4

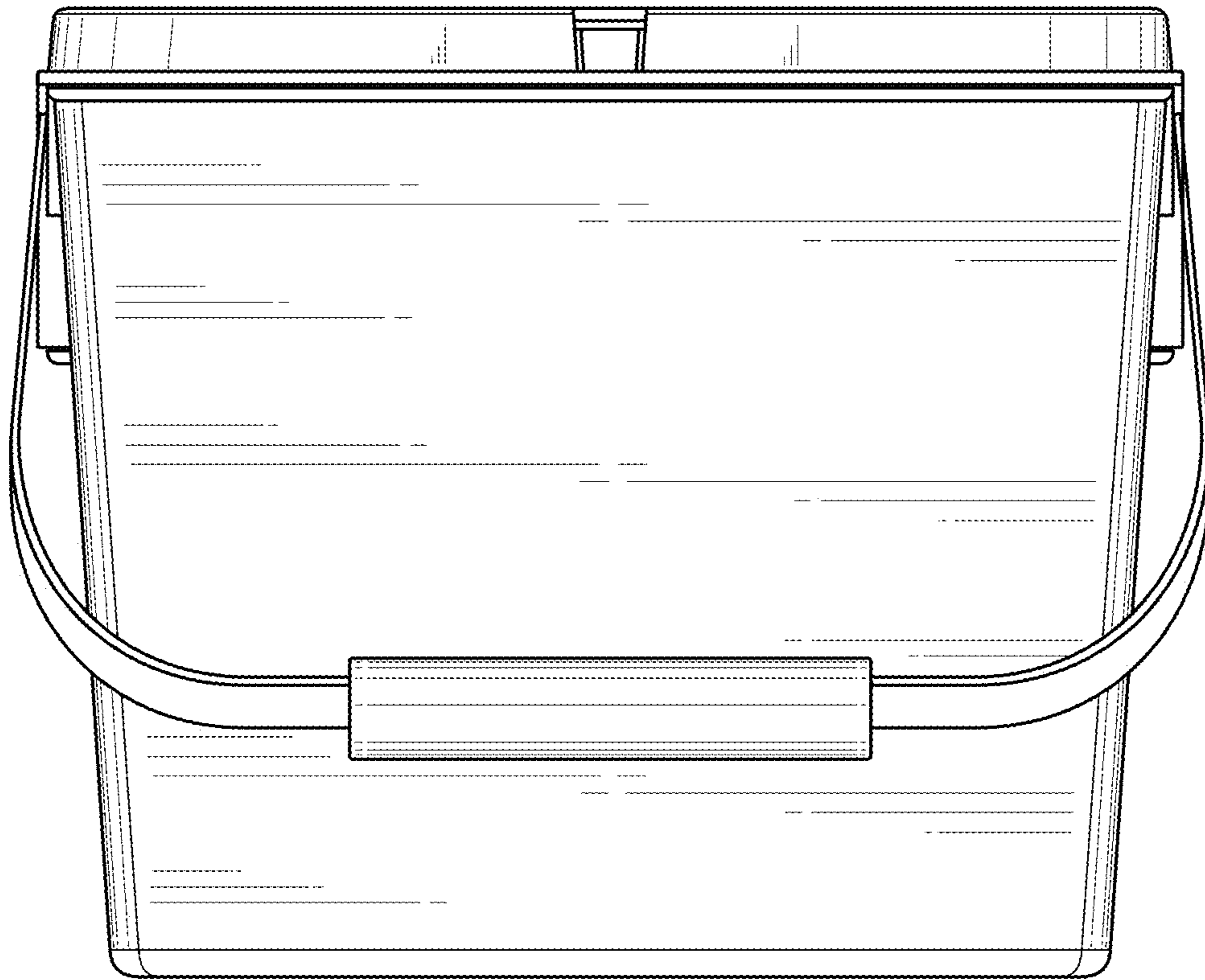


FIG. 5

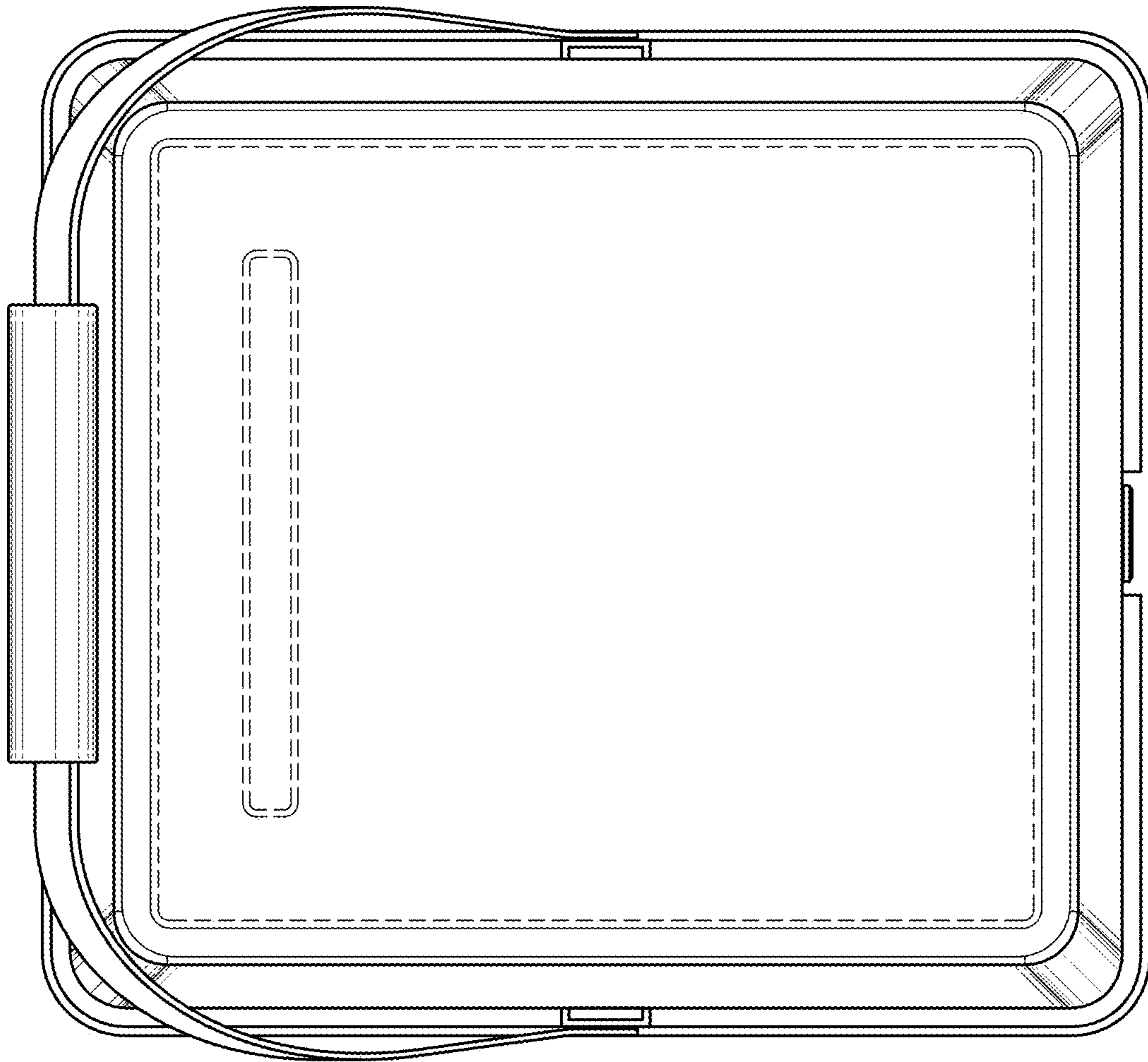


FIG. 6

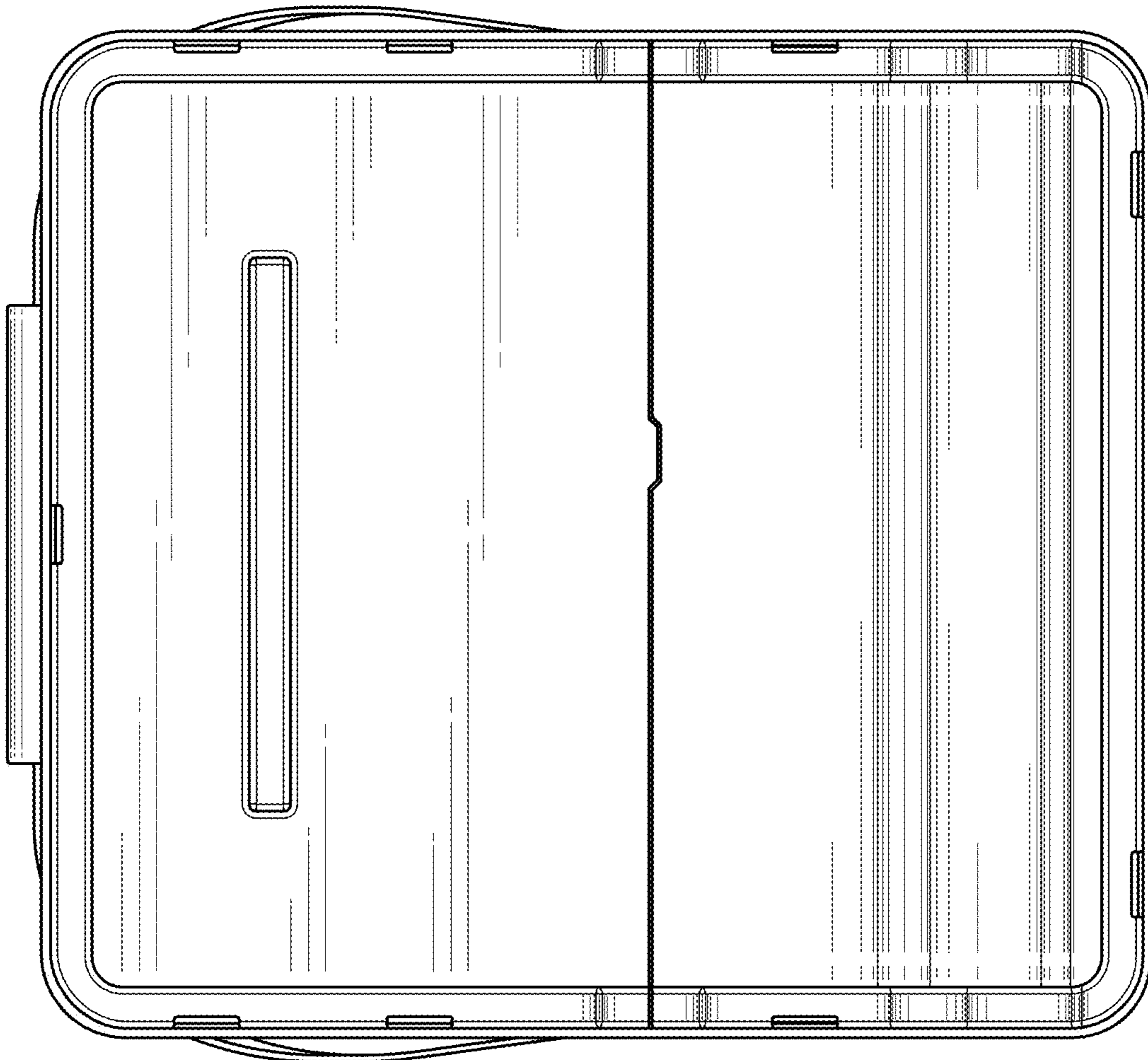


FIG. 7