



US00D887789S

(12) **United States Design Patent** (10) **Patent No.:** **US D887,789 S**
Seiders et al. (45) **Date of Patent:** **** Jun. 23, 2020**

(54) **CONTAINER**
(71) Applicant: **YETI Coolers, LLC**, Austin, TX (US)
(72) Inventors: **Roy Joseph Seiders**, Austin, TX (US);
James William Sonntag, Austin, TX (US); **Christopher Mall Keller**, Austin, TX (US); **Steve Charles Nichols**, Austin, TX (US)

3,111,014 A 11/1963 Herrick
3,439,835 A 4/1969 Reid
3,592,359 A 7/1971 Marraffino
3,596,808 A 8/1971 Corsette
3,628,704 A 12/1971 Corsette
3,822,906 A 7/1974 Gaines
3,863,673 A 2/1975 Sitton
3,923,949 A 12/1975 Kane et al.
D248,440 S 7/1978 Bryan et al.
4,162,029 A 7/1979 Gottsegen et al.
(Continued)

(73) Assignee: **YETI Coolers, LLC**, Austin, TX (US)
(**) Term: **15 Years**
(21) Appl. No.: **29/673,008**
(22) Filed: **Dec. 11, 2018**

FOREIGN PATENT DOCUMENTS

CA 176778 5/2018
CN 202170997 U 3/2012
(Continued)

OTHER PUBLICATIONS

Mar. 27, 2019—(AU)—Examination Report—App 2017254558.
(Continued)

Primary Examiner — Terry A Wallace
(74) *Attorney, Agent, or Firm* — Banner & Witcoff, Ltd.

(57) **CLAIM**

The ornamental design for a container, as shown and described.

DESCRIPTION

FIG. 1 is a top, front, right perspective view of a container showing our new design;
FIG. 2 is a front view thereof;
FIG. 3 is a rear view thereof;
FIG. 4 is a left side view thereof;
FIG. 5 is a right side view thereof;
FIG. 6 is a top view thereof; and,
FIG. 7 is a bottom view thereof.
The broken lines depicting the remainder of the container show features that form no part of the claimed design.

Related U.S. Application Data

(63) Continuation of application No. 29/610,438, filed on Jul. 12, 2017, now Pat. No. Des. 835,470.
(51) **LOC (12) Cl.** **07-01**
(52) **U.S. Cl.**
USPC **D7/605**
(58) **Field of Classification Search**
USPC D7/605–608, 629, 630; D3/272–274
CPC .. A45C 11/20; A45C 5/14; A45C 5/03; A45C 9/00; A47B 77/08; A47G 19/2288; B26B 3/003; F25B 19/00; F25D 3/08; F25D 3/12; F25D 3/02; F25D 3/14; F25D 2331/804; F25D 2400/08; F25D 31/005; B65D 81/3858; B65D 81/3823; B65D 81/3813; B65D 81/3888; B65D 81/3816
See application file for complete search history.

(56) **References Cited**

U.S. PATENT DOCUMENTS

1,565,686 A 12/1925 Titus
2,070,488 A 2/1937 McIntosh
2,628,062 A 2/1953 Weber

1 Claim, 7 Drawing Sheets



US D887,789 S

(56)

References Cited

U.S. PATENT DOCUMENTS

D253,369	S	11/1979	Koelble et al.	8,251,247	B1	8/2012	Breckner
4,181,243	A	1/1980	Frahm	D674,245	S *	1/2013	Williams, Jr. D7/605
D261,391	S	10/1981	Ranua et al.	8,469,223	B2	6/2013	Perry et al.
4,351,455	A	9/1982	Bond	D693,220	S	11/2013	Luo
4,367,572	A	1/1983	Zielenski	D695,568	S	12/2013	Hayes
D270,704	S	9/1983	Ruxton et al.	8,746,498	B2	6/2014	Maldonado et al.
4,440,316	A	4/1984	Christine	8,827,230	B2	9/2014	Nemoto
D290,080	S *	6/1987	Carlson D7/605	8,875,934	B2 *	11/2014	Deka B65D 81/3823 220/23.88
4,742,851	A	5/1988	Lundblade	8,950,989	B1	2/2015	Rivera
4,805,859	A	2/1989	Hudson	9,057,552	B2	6/2015	Vanderberg et al.
4,815,999	A	3/1989	Ayon et al.	D738,470	S	9/2015	Eaton et al.
4,892,321	A	1/1990	Colgate et al.	9,126,747	B2	9/2015	Burgess et al.
4,936,409	A	6/1990	Nix et al.	9,150,163	B2	10/2015	Cronkright, II et al.
5,161,711	A	11/1992	Picozza et al.	9,150,353	B2	10/2015	Jackson
5,165,645	A	11/1992	Brown	D746,128	S	12/2015	Stanton
5,222,631	A	6/1993	Hood	9,199,657	B2	12/2015	Martin
5,353,948	A	10/1994	Lanoué et al.	9,227,571	B1	1/2016	Wilkens
D365,747	S	1/1996	Grande	9,227,768	B2	1/2016	Quick et al.
D368,129	S	3/1996	Peeples	D749,653	S	2/2016	Carnes
5,535,883	A	7/1996	Henderson	9,269,933	B2	2/2016	Yamamoto
5,555,996	A	9/1996	Lang-Ree et al.	D752,397	S	3/2016	Seiders et al.
5,579,936	A	12/1996	Costa et al.	9,278,704	B2	3/2016	Cates
5,607,084	A	3/1997	George	9,352,698	B2	5/2016	Romanelli
5,827,023	A	10/1998	Stull	D767,973	S	10/2016	DeDios-Shirley et al.
5,860,281	A *	1/1999	Coffee A45C 11/20 62/3.62	D772,383	S	11/2016	Gill
				D773,621	S	12/2016	Gill
				D775,952	S	1/2017	Kim
5,913,448	A	6/1999	Mann et al.	9,533,814	B2	1/2017	Brooks
5,971,218	A	10/1999	Le	9,543,558	B2	1/2017	Templeman et al.
6,059,143	A	5/2000	Weir	9,550,508	B1	1/2017	Parra
6,102,356	A	8/2000	Huntley et al.	D782,620	S	3/2017	Becker et al.
6,105,844	A	8/2000	Walters et al.	D785,140	S	4/2017	Gross
6,126,046	A	10/2000	Baculy	D787,648	S	5/2017	Smith
6,126,124	A	10/2000	Wagner	9,648,990	B1	5/2017	Corney
6,176,562	B1	1/2001	Hart	9,750,371	B2	9/2017	Bungard et al.
6,302,051	B1	10/2001	Hemmingson	D801,753	S	11/2017	Piper et al.
D451,765	S	12/2001	Israel et al.	9,878,841	B2	1/2018	Holderness et al.
6,386,557	B1	5/2002	Weldon	9,889,968	B2	2/2018	Morewitz et al.
6,401,752	B1	6/2002	Blackbourn et al.	2002/0038745	A1	4/2002	Lamming
6,405,557	B1	6/2002	DeCastro et al.	2004/0232637	A1	11/2004	Butler
6,427,886	B1	8/2002	Essex	2004/0251444	A1	12/2004	Levey et al.
D468,071	S	12/2002	Le et al.	2005/0046121	A1	3/2005	Jones et al.
6,491,189	B2	12/2002	Friedman	2005/0127081	A1 *	6/2005	Leba F25D 3/08 220/761
6,527,153	B1	3/2003	Manos				
D472,762	S	4/2003	Song	2006/0260327	A1	11/2006	Kanamori et al.
6,564,893	B2	5/2003	Lipman	2006/0261088	A1	11/2006	Chin
6,666,362	B1	12/2003	LeTrudet	2006/0261111	A1	11/2006	McCoy et al.
6,669,205	B2	12/2003	Schenk	2007/0045368	A1	3/2007	Lavelle
6,695,357	B2	2/2004	Schenk et al.	2007/0095998	A1	5/2007	Gray
6,755,428	B2	6/2004	Butler	2007/0152002	A1	7/2007	Dollar
6,845,786	B1	1/2005	Ophardt et al.	2007/0152003	A1	7/2007	Dollar
D504,713	S	5/2005	Py et al.	2007/0181615	A1	8/2007	Allanson et al.
6,896,158	B2	5/2005	Leray et al.	2007/0187435	A1	8/2007	Quirk
D528,368	S *	9/2006	Maldonado D7/605	2008/0093370	A1	4/2008	Darsey
D546,119	S	7/2007	Dodge	2008/0178629	A1	7/2008	Meether
7,269,969	B2	9/2007	Strickland et al.	2009/0241584	A1	10/2009	Hayes et al.
7,284,763	B1	10/2007	King	2010/0212351	A1	8/2010	Chapin et al.
7,311,229	B1	12/2007	Wrigley	2010/0215455	A1	8/2010	Burris
7,328,818	B2	2/2008	Prabucki	2010/0282762	A1	11/2010	Leonard
7,331,559	B2	2/2008	Hirayu	2011/0062156	A1	3/2011	Smeaton
D566,479	S	4/2008	Kabalin	2011/0240684	A1	10/2011	McSavaney
D571,188	S	6/2008	Brassard	2012/0111892	A1	5/2012	Leith, Sr. et al.
7,455,281	B2	11/2008	Craft	2012/0318795	A1	12/2012	Chameroy et al.
7,475,561	B2	1/2009	Smolko et al.	2014/0252010	A1	9/2014	Miller
7,669,828	B2	3/2010	Hardy et al.	2015/0048118	A1	2/2015	English et al.
7,802,709	B1	9/2010	Lewis et al.	2015/0182012	A1	7/2015	Thornton et al.
D626,406	S	11/2010	Tedesco et al.	2015/0375918	A1 *	12/2015	Holderness B67D 3/0067 222/566
7,841,635	B2	11/2010	Fuchs				
D628,566	S	12/2010	Molter	2016/0114347	A1	4/2016	Kosarnig
7,854,321	B2	12/2010	Twig et al.	2016/0220925	A1	8/2016	Savoy et al.
7,897,088	B2	3/2011	Mitchell	2016/0340217	A1	11/2016	Kuennen et al.
D648,006	S	11/2011	Morishita	2017/0203308	A1	7/2017	Huang
D651,860	S *	1/2012	Nie D7/605	2018/0110350	A1	4/2018	Bingham
8,123,236	B1	2/2012	Helenihi				
D662,572	S	6/2012	Marquis-Martin				
8,230,697	B2	7/2012	Lavallee				

(56)

References Cited

U.S. PATENT DOCUMENTS

2018/0127165 A1 5/2018 Smaldone et al.
2018/0335247 A1 11/2018 Huisman

FOREIGN PATENT DOCUMENTS

DE	19509843	A1	9/1996
DE	10210055	A1	10/2003
DE	102004041583	A1	3/2006
DE	202007000854	U1	3/2007
EP	0755644	A1	1/1997
EP	2873626	A1	5/2015
GB	484091	A	4/1938
JP	D1589997		11/2017
JP	D1603783		5/2018
KP	300970078.0000		8/2018
WO	10044074	A1	4/2010

OTHER PUBLICATIONS

Oct. 28, 2019—(AU)—Examination Report—App 2017254558.
MVP 7812 package—3 Burner Grill, Tailgate Transport & Ice Chest Tray [online], [retrieved Oct. 12, 2017], Retrieved from the Internet, URL: <<http://partykinggrills.com/shop/mvp-grill-tailgate-transport-ice-chest-tray/>>; 5 color pages, published date unknown, but for purposes of patent prosecution presumably more than a year prior to the filing date of the present application.
Great Day Hitch-N-Ride Cargo Carriers—HNR100TF [online], [retrieved Oct. 12, 2017], Retrieved from the Internet, URL: <<http://www.autoanything.com/roof-racks/77A7418A4464928.aspx>>; 3 color pages, published date unknown, but for purposes of patent prosecution presumably more than a year prior to the filing date of the present application.
Rubbermaid FG9F1900BLA ProServe Black Dolly with Retention Strap for 9F12, 9F13, 9F14, 9F15, and 9F16 Insulated Food Pan Carrier [online], [retrieved Oct. 12, 2017], Retrieved from the Internet, URL: <[https://www.webstaurantstore.com/rubbermaid-](https://www.webstaurantstore.com/rubbermaid-9f19-proserve-black-dolly-with-retention-strap-for-9f12-9f13-9f14-9f15-and-9f16-insulated-food-pan-carrier-fg9f1900bla/6909F19.html)

[9f19-proserve-black-dolly-with-retention-strap-for-9f12-9f13-9f14-9f15-and-9f16-insulated-food-pan-carrier-fg9f1900bla/6909F19.html](https://www.webstaurantstore.com/rubbermaid-9f19-proserve-black-dolly-with-retention-strap-for-9f12-9f13-9f14-9f15-and-9f16-insulated-food-pan-carrier-fg9f1900bla/6909F19.html)>; 4 color pages, published date unknown, but for purposes of patent prosecution presumably more than a year prior to the filing date of the present application.
Yeti Cooler Mounted in Baja Basket—Photo 08 [online], [retrieved Oct. 12, 2017], Retrieved from the Internet, URL: <<http://www.fourwheeler.com/how-to/body-chassis/1503-adding-synergy-manufacturings-baja-basket-storage-solution/photo-08.html>>; 6 color pages, published date unknown, but for purposes of patent prosecution presumably more than a year prior to the filing date of the present application.
Now Selling Cooler Commander (7 Pictures) [online], [retrieved Oct. 12, 2017], Retrieved from the Internet, URL: <<http://www.rzrforums.net/utv-family/304697-now-selling-cooler-commander-7-pictures.html>>; 7 color pages, published date unknown, but for purposes of patent prosecution presumably more than a year prior to the filing date of the present application.
Engel USA Cooler Tie-Down Strap Kit [online], [retrieved Oct. 12, 2017], Retrieved from the Internet, URL: <<https://www.amazon.com/Engel-USA-Cooler-Tie-Down-Strap/dp/B0078T3MWY>>; 6 color pages, published date unknown, but for purposes of patent prosecution presumably more than a year prior to the filing date of the present application.
Yeti Cooler Slide Out Mounting Kit [online], [retrieved Oct. 12, 2017], Retrieved from the Internet, URL: <<http://archive.constantcontact.com/fs085/1102686599059/archive/1108110340931.html>>; 5 color pages, published date unknown, but for purposes of patent prosecution presumably more than a year prior to the filing date of the present application.
ARB [online], [retrieved Oct. 12, 2017], Retrieved from the Internet, URL: <https://www.streetsideauto.com/p/arb-10900010/?utm_source=googlepepla&utm_medium=adword&gclid=CPT3omE69MCFrtYDQodyVIBUg>; 2 color pages, published date unknown, but for purposes of patent prosecution presumably more than a year prior to the filing date of the present application.
Sep. 29, 2017—(PCT) ISR & Written Opinion—App PCT/US2017/028288.

* cited by examiner



FIG. 1

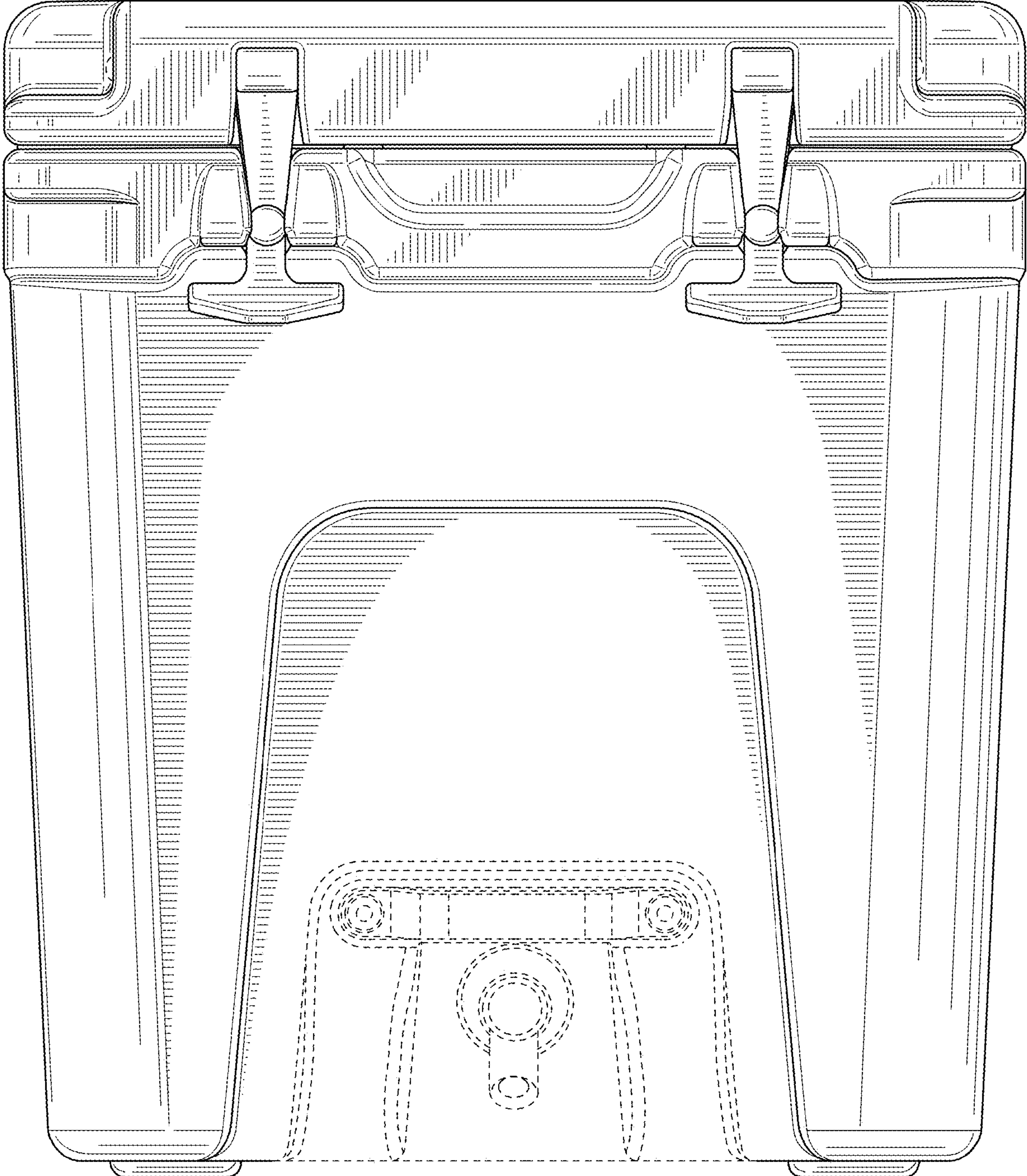


FIG. 2

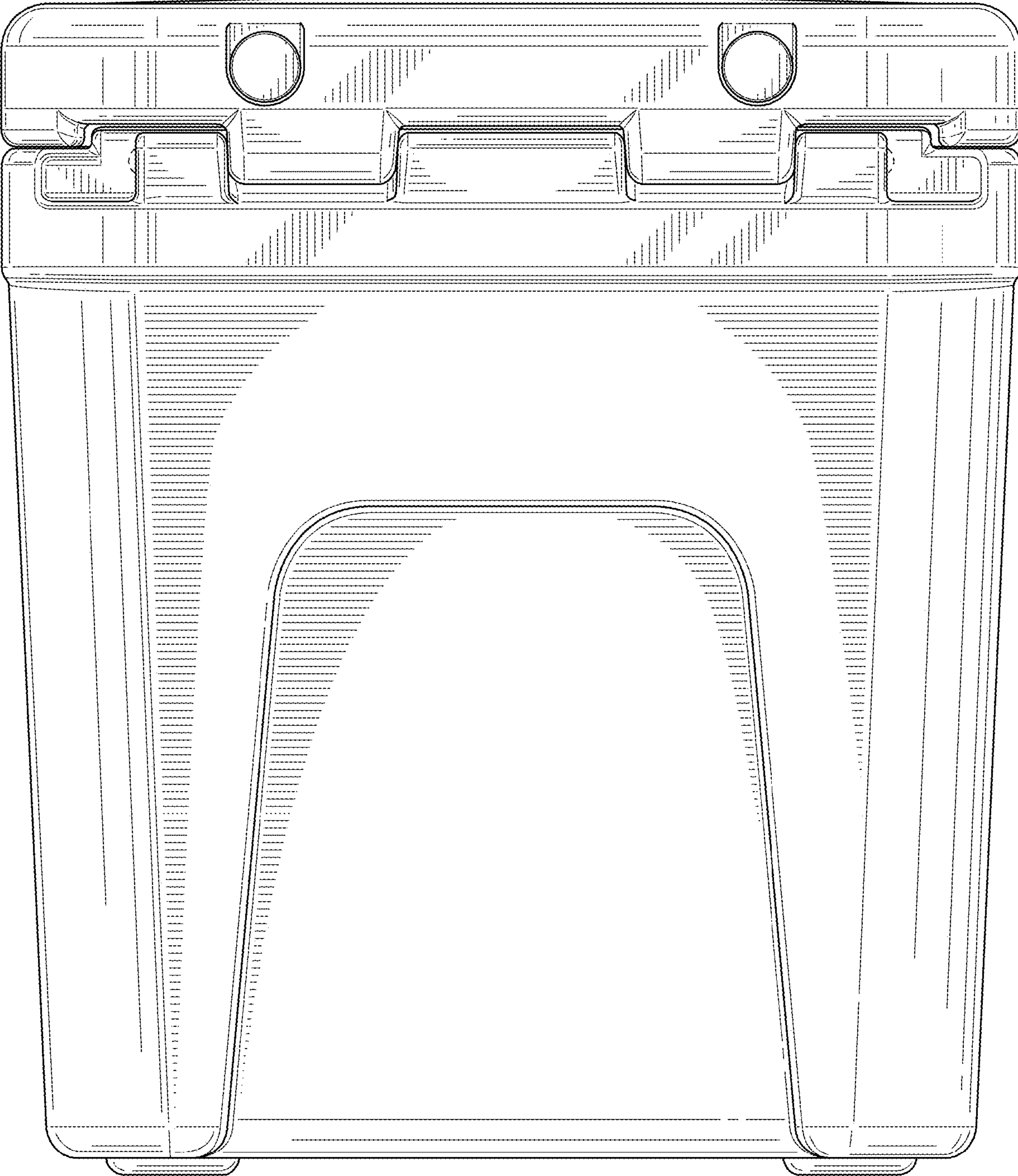


FIG. 3

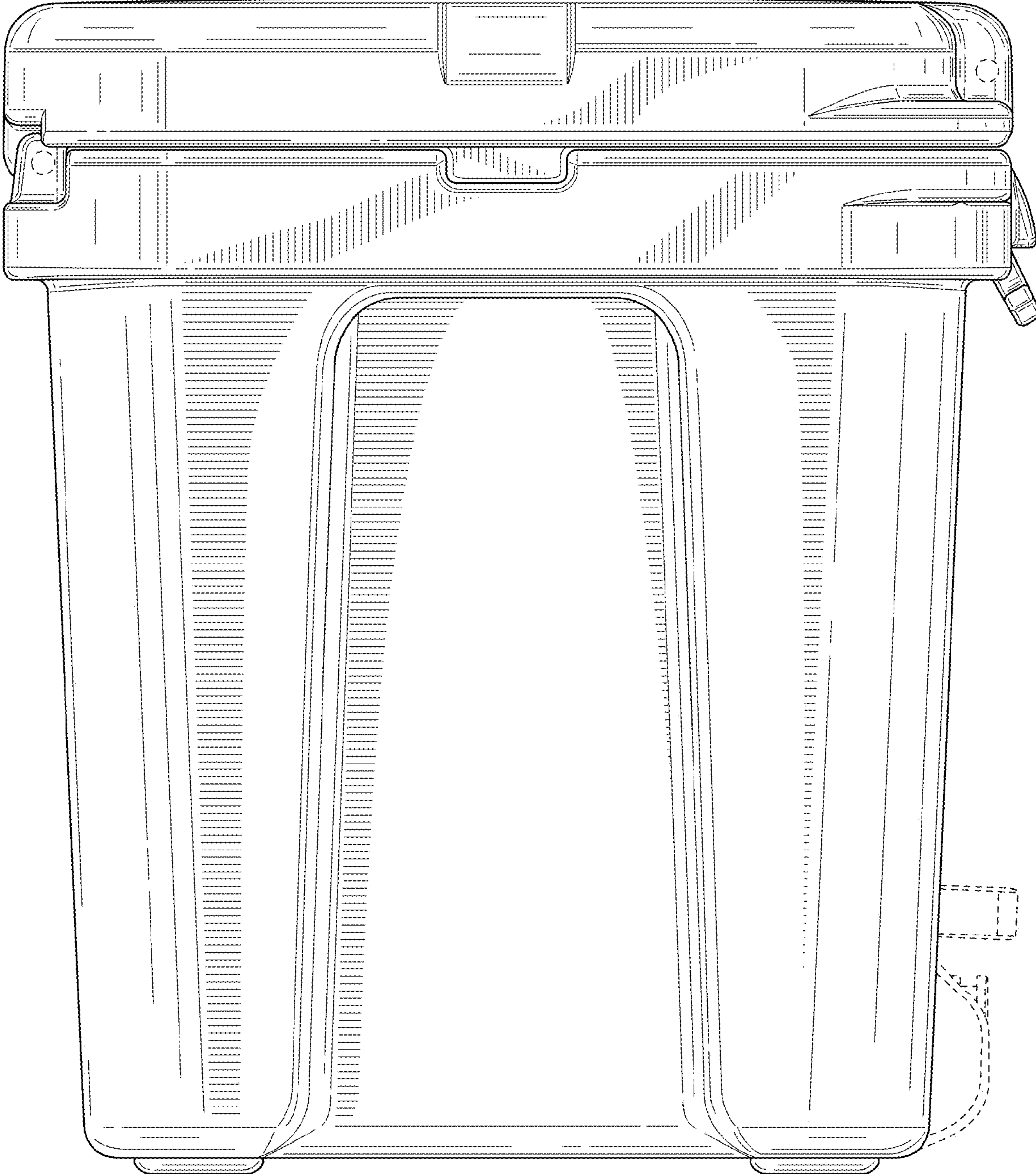


FIG. 4

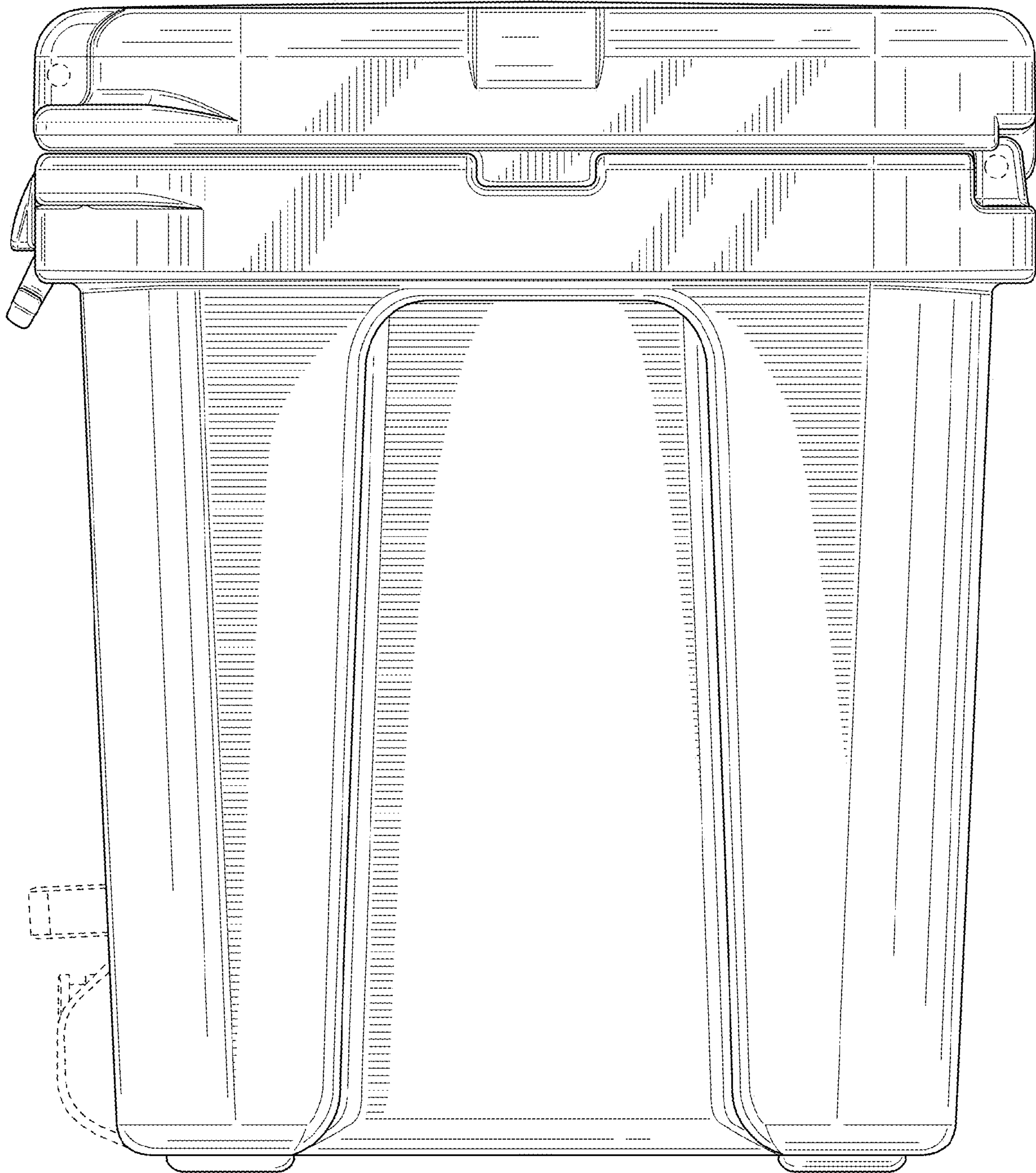


FIG. 5

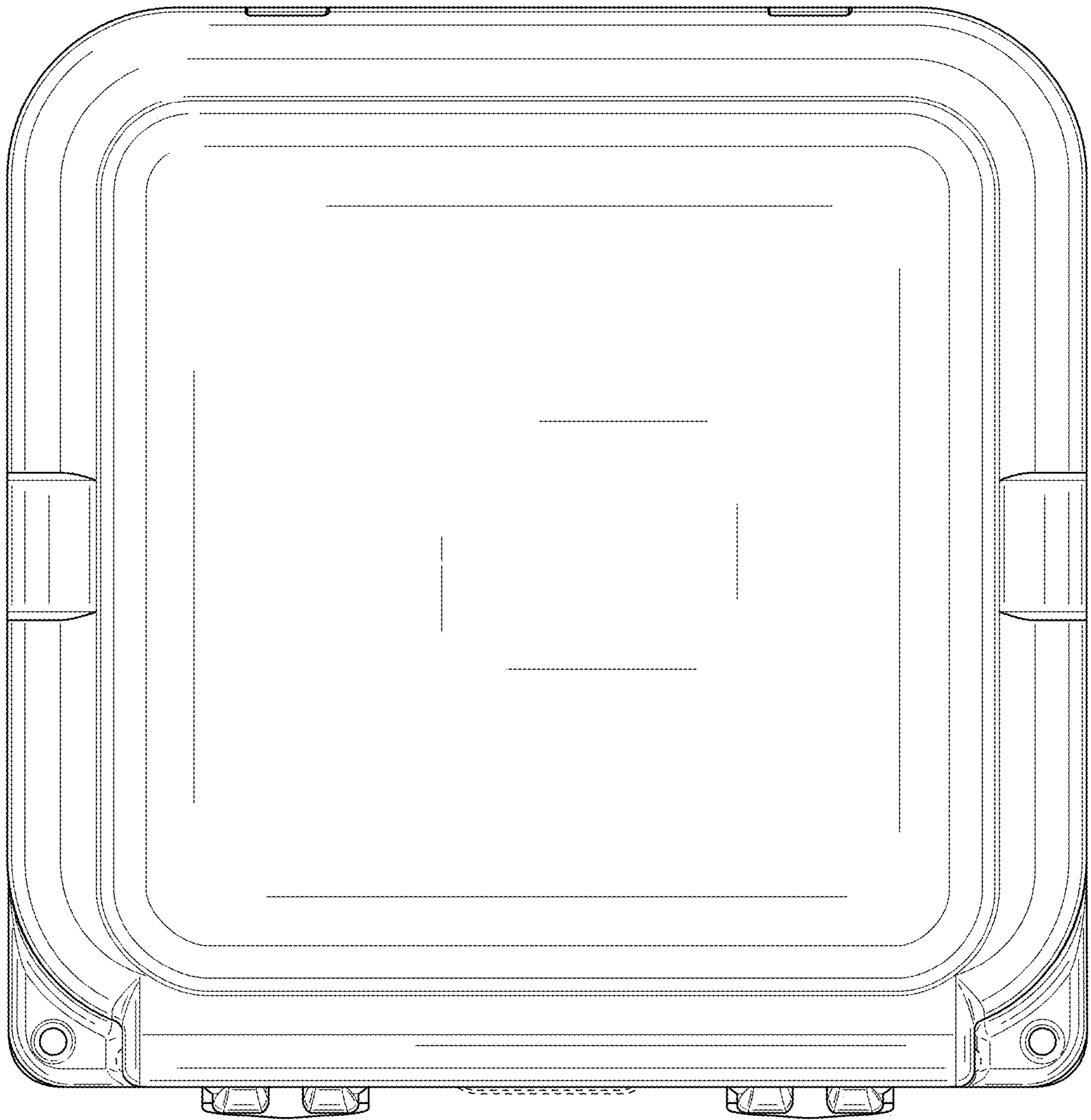


FIG. 6

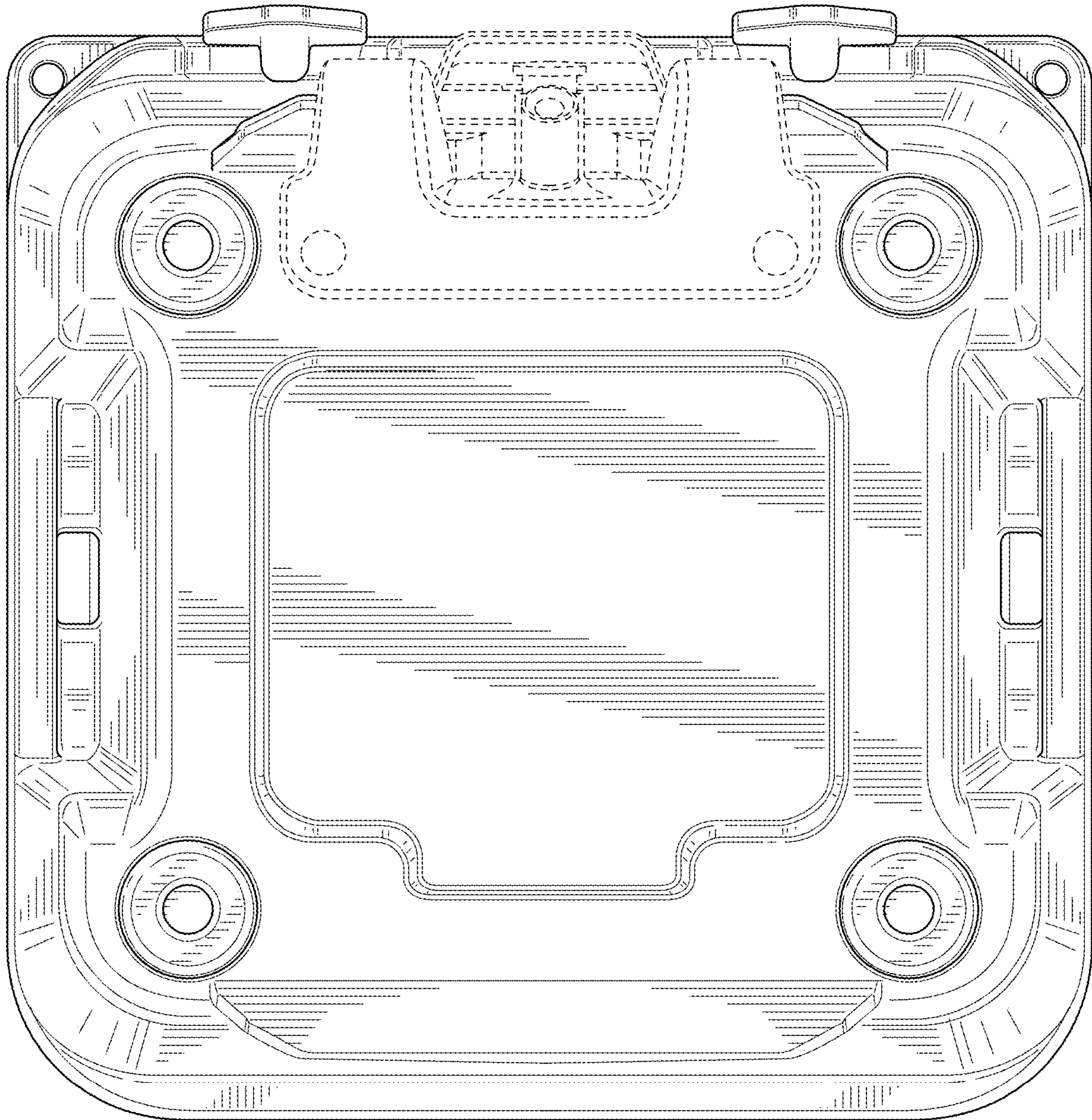


FIG. 7