



US00D887787S

(12) **United States Design Patent** (10) **Patent No.:** **US D887,787 S**
Carey et al. (45) **Date of Patent:** **** Jun. 23, 2020**

(54) **PLUG FOR A COOLER**
(71) Applicant: **THE METAL WARE CORPORATION**, Two Rivers, WI (US)
(72) Inventors: **Richard Carey**, Manitowoc, WI (US); **Ross Niemi**, Two Rivers, WI (US)
(73) Assignee: **THE METAL WARE CORPORATION**, Two Rivers, WI (US)

3,782,765 A 1/1974 Wallyn
D232,798 S 9/1974 Roche
D237,135 S 10/1975 Wiant et al.
D257,934 S 1/1981 Buss
D259,232 S 5/1981 Tarozzi
D266,822 S 11/1982 Seager
D270,604 S 9/1983 Zauft
D281,695 S 12/1985 Ryan, Jr.
D283,480 S 4/1986 Bailey
D283,966 S 5/1986 Carlson
D291,858 S 9/1987 Baker et al.
4,702,504 A 10/1987 Brothers
D305,397 S 1/1990 Balius
D307,998 S 5/1990 Costello et al.

(Continued)

(**) Term: **15 Years**
(21) Appl. No.: **29/648,371**
(22) Filed: **May 21, 2018**

Primary Examiner — Terry A Wallace
(74) *Attorney, Agent, or Firm* — Seager, Tufte & Wickhem LLP

Related U.S. Application Data

(63) Continuation of application No. 29/564,085, filed on May 10, 2016, now Pat. No. Des. 818,323, which is a continuation-in-part of application No. 29/553,277, filed on Jan. 29, 2016, now Pat. No. Des. 807,123.

(51) **LOC (12) Cl.** **07-01**
(52) **U.S. Cl.**
USPC **D7/605**
(58) **Field of Classification Search**
USPC D7/605–608
CPC .. A45C 11/20; F25D 3/08; F25D 3/14; B65D 81/3823; B65D 81/3886
See application file for complete search history.

(57) **CLAIM**

The ornamental design of a plug for a cooler, as shown and described.

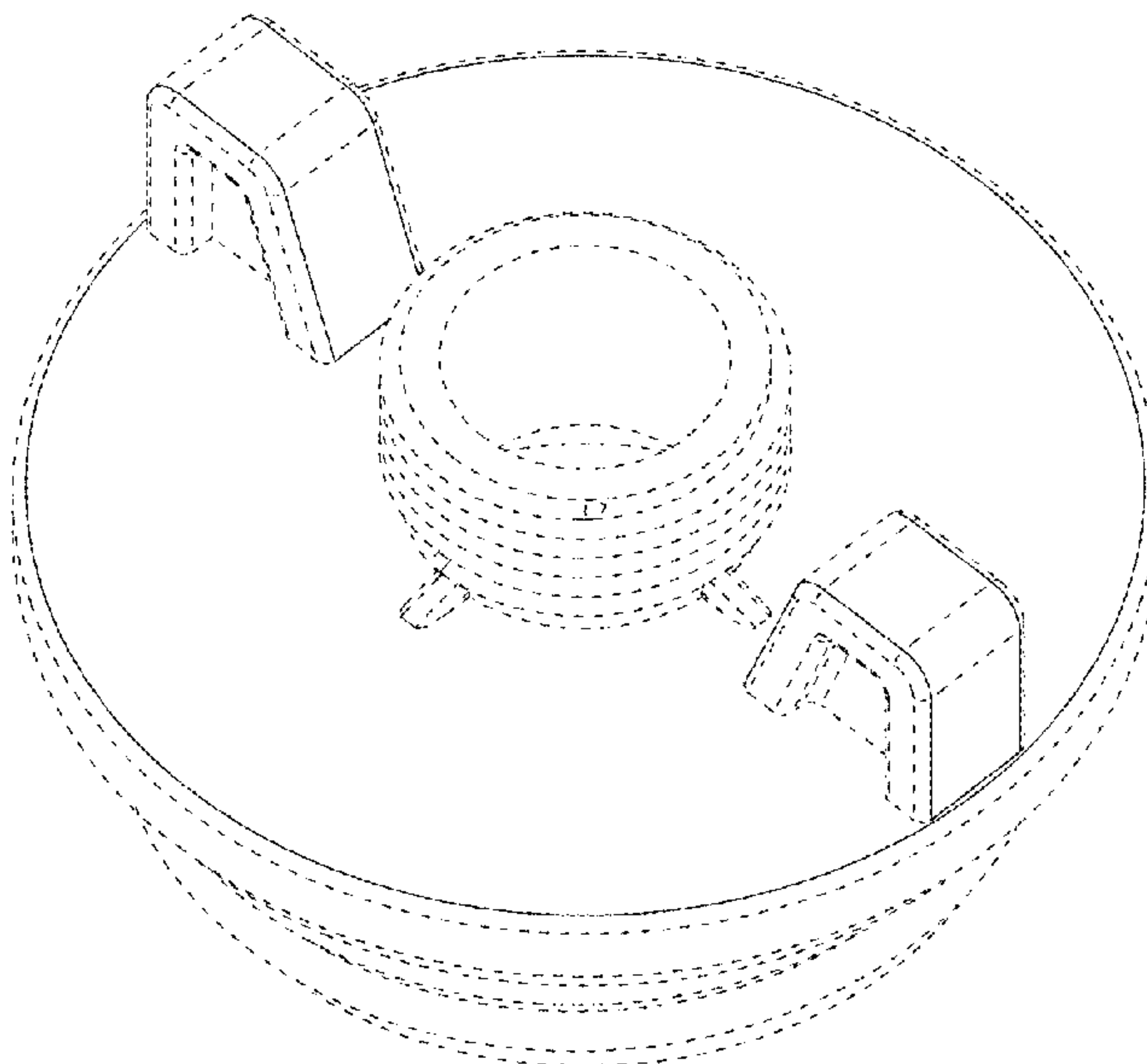
DESCRIPTION

FIG. 1 is a top perspective view of an embodiment of a plug for a cooler;
FIG. 2 is a front side view of the plug for a cooler of FIG. 1;
FIG. 3 is a back side view of the plug for a cooler of FIG. 1;
FIG. 4 is a right side view of the plug for a cooler of FIG. 1;
FIG. 5 is a left side view of the plug for a cooler of FIG. 1;
FIG. 6 is a top side view of the plug for a cooler of FIG. 1; and,
FIG. 7 is a bottom side view of the plug for a cooler of FIG. 1.
The broken lines are for illustrative purposes only and form no part of the claimed design.

(56) **References Cited**
U.S. PATENT DOCUMENTS

1,483,953 A 2/1924 Rainey
D70,542 S 7/1926 Davis et al.
1,699,313 A 1/1929 Schlaich
2,960,216 A 11/1960 Brady
D210,795 S 4/1968 Birger et al.

1 Claim, 7 Drawing Sheets



(56)

References Cited

U.S. PATENT DOCUMENTS

D322,198 S	12/1991	Dringenburg	D494,021 S	8/2004	Huthmaker
D325,323 S	4/1992	Kahl	D511,247 S	11/2005	Tsuchiya
D325,324 S	4/1992	Kahl	D511,624 S	11/2005	Rosine et al.
D325,853 S	5/1992	Kahl	D521,810 S	5/2006	Estes
D328,221 S	7/1992	Piccarillo	D527,225 S	8/2006	Krieger et al.
D328,689 S	8/1992	Riskowski	D528,368 S	9/2006	Maldonado
D330,329 S	10/1992	Brightbill	D552,426 S	10/2007	Jones et al.
D333,775 S	3/1993	Krape	D560,102 S	1/2008	Sumter
D334,868 S	4/1993	Lau Woon	D563,731 S	3/2008	Thurston
D340,167 S	10/1993	Kahl	D566,479 S	4/2008	Kabalin
D340,620 S	10/1993	Peters	D575,059 S	8/2008	Cappiello et al.
D349,007 S	7/1994	Costello	D587,972 S	3/2009	Dorisca et al.
D351,318 S	10/1994	Wedi	7,533,782 B2	5/2009	Parker et al.
D352,208 S	11/1994	Brookshire	7,540,364 B2	6/2009	Sanderson
D353,304 S	12/1994	Friedrich	D604,994 S	12/2009	Greenlees
D354,419 S	1/1995	Kahl et al.	D613,109 S	4/2010	Sanchez et al.
D366,599 S	1/1996	Brown et al.	D613,560 S	4/2010	Robichaud et al.
D369,722 S	5/1996	Lopez, Jr. et al.	7,722,204 B1	5/2010	Sandberg
D370,159 S	5/1996	Fenton et al.	D634,982 S	3/2011	Melchert et al.
D374,772 S	10/1996	Hotaling et al.	D637,459 S	5/2011	Giese
D376,068 S	12/1996	Coy	D640,102 S	6/2011	Hawkins
5,607,195 A	3/1997	Antonucci	D645,248 S	9/2011	Osiecki et al.
D380,369 S	7/1997	Antonucci	D646,528 S	10/2011	Stallman et al.
D386,649 S	11/1997	Arnfelt	D651,860 S	1/2012	Nie
5,683,097 A	11/1997	Fenton et al.	D652,262 S	1/2012	Yang et al.
5,735,428 A	4/1998	Chern	D660,885 S	5/2012	Crawford
5,738,238 A	4/1998	Yang	8,210,702 B1	7/2012	Sandberg
5,742,990 A	4/1998	Antonucci	D694,070 S	11/2013	Torres
D394,550 S	5/1998	Tanji	D712,720 S	9/2014	Seiders
D396,779 S	8/1998	Moffett, III et al.	D712,721 S	9/2014	Seiders
D397,585 S	9/1998	Rausch et al.	D712,722 S	9/2014	Seiders
D398,816 S	9/1998	Koutsouflakis	D712,723 S	9/2014	Seiders
D407,609 S	4/1999	Rausch	D714,125 S	9/2014	Seiders
D415,393 S	10/1999	Kei	8,887,515 B2	11/2014	Patstone
D415,658 S	10/1999	Frehse	8,910,819 B2	12/2014	Seiders
D421,552 S	3/2000	Frehse	9,187,232 B2	11/2015	Seiders
D423,294 S	4/2000	Klein et al.	D747,950 S	1/2016	Jacobsen et al.
D429,606 S	8/2000	Israel et al.	D747,951 S	1/2016	Jacobsen et al.
D437,736 S	2/2001	Moffett, III et al.	D748,452 S	2/2016	Jacobsen et al.
D439,406 S	3/2001	Zimmerman	D750,953 S	3/2016	Jacobsen et al.
D439,913 S	4/2001	Jobst	D807,123 S	1/2018	Carey et al.
D454,292 S	3/2002	Plummer et al.	D818,323 S	5/2018	Carey et al.
6,398,272 B1	6/2002	Plummer et al.	2008/0025544 A1	1/2008	Maldonado
D467,470 S	12/2002	Cantor et al.	2008/0110892 A1	5/2008	House
D467,770 S	12/2002	Blalock	2009/0139245 A1	6/2009	Blackway et al.
D475,248 S	6/2003	Cantor et al.	2011/0203297 A1	8/2011	Oberweis
D486,457 S	2/2004	Lee	2012/0132657 A1	5/2012	Seiders
			2014/0252010 A1*	9/2014	Miller F25D 17/047 220/592.2

* cited by examiner

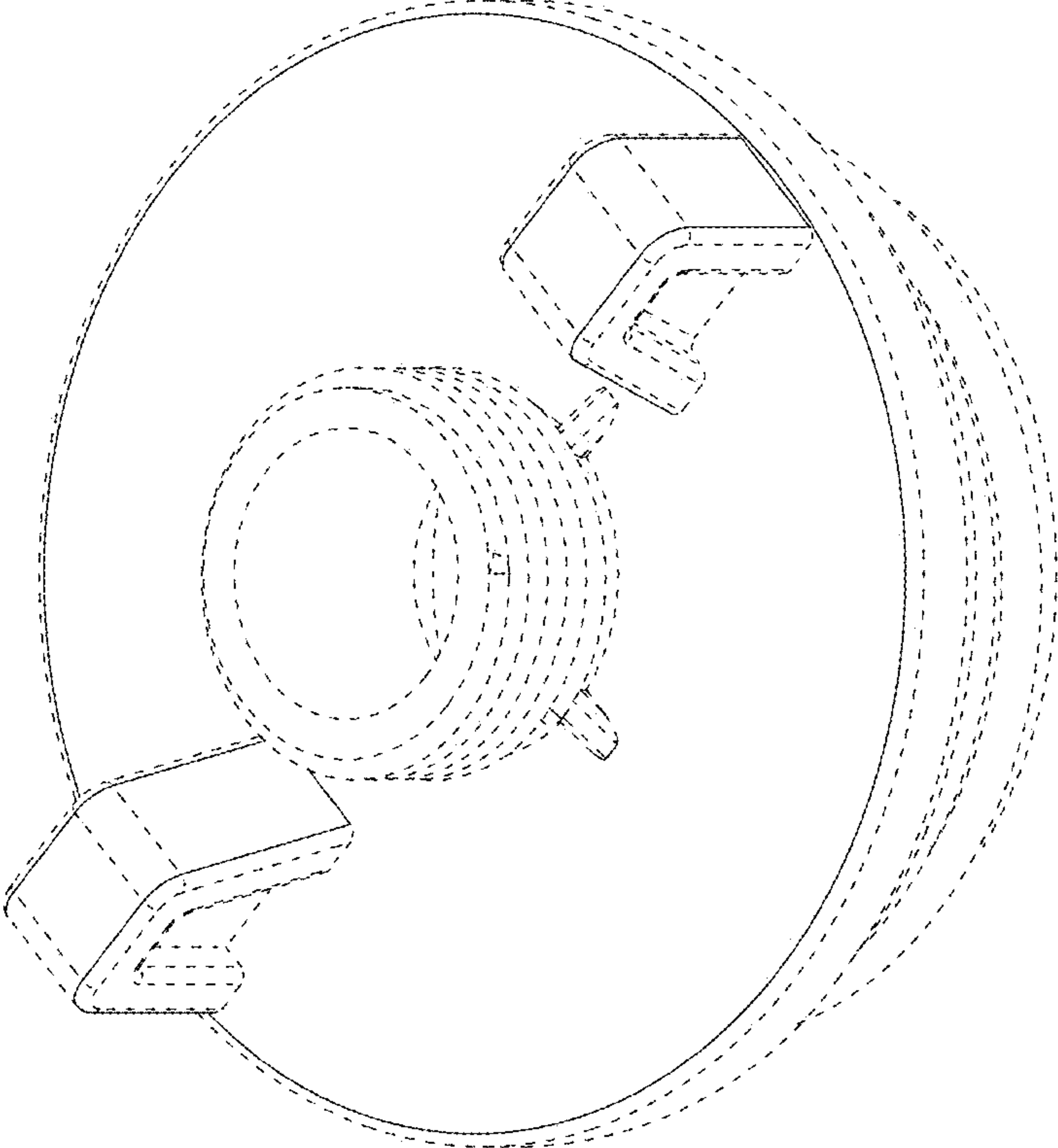


Figure 1

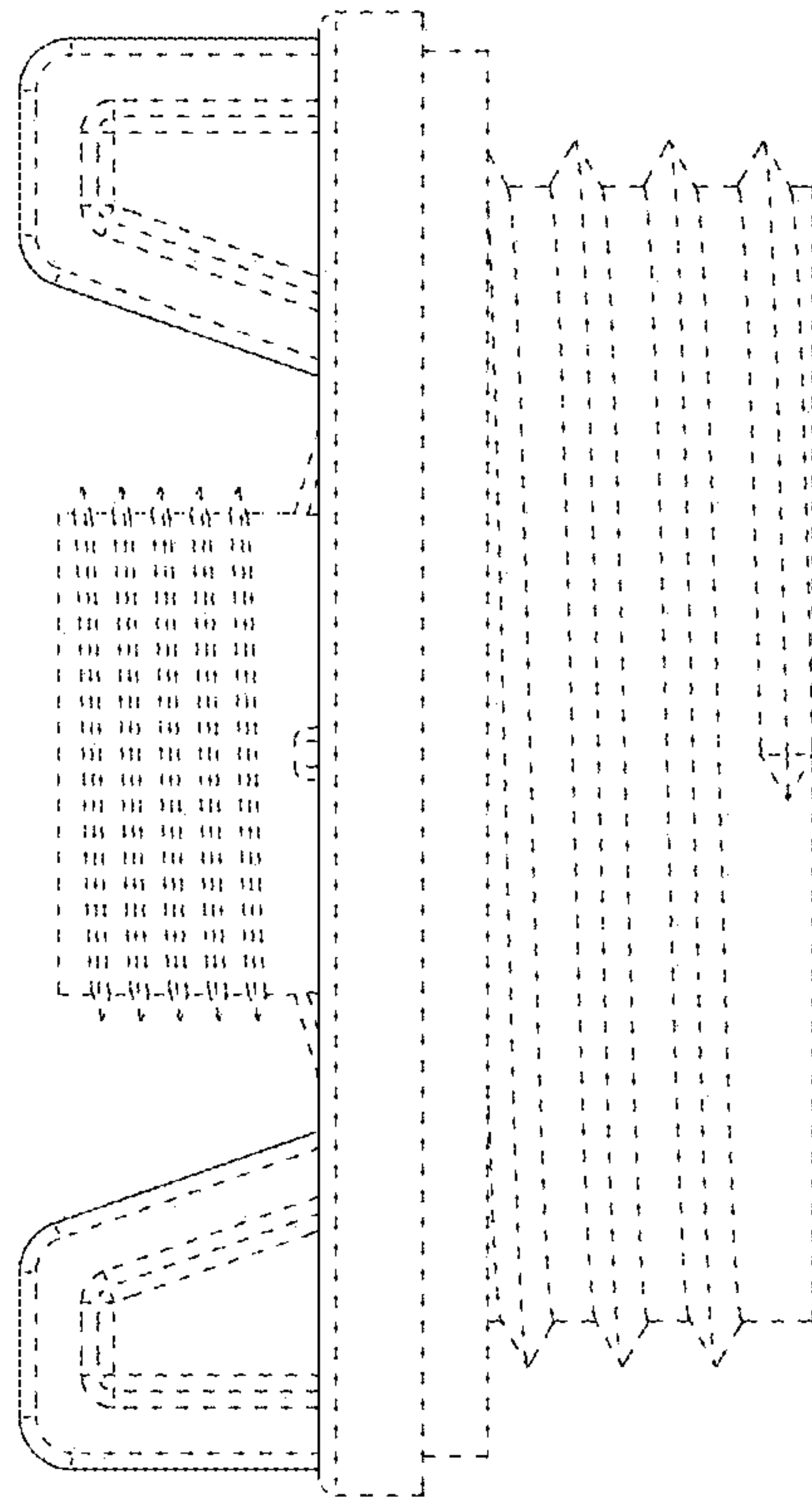


Figure 2

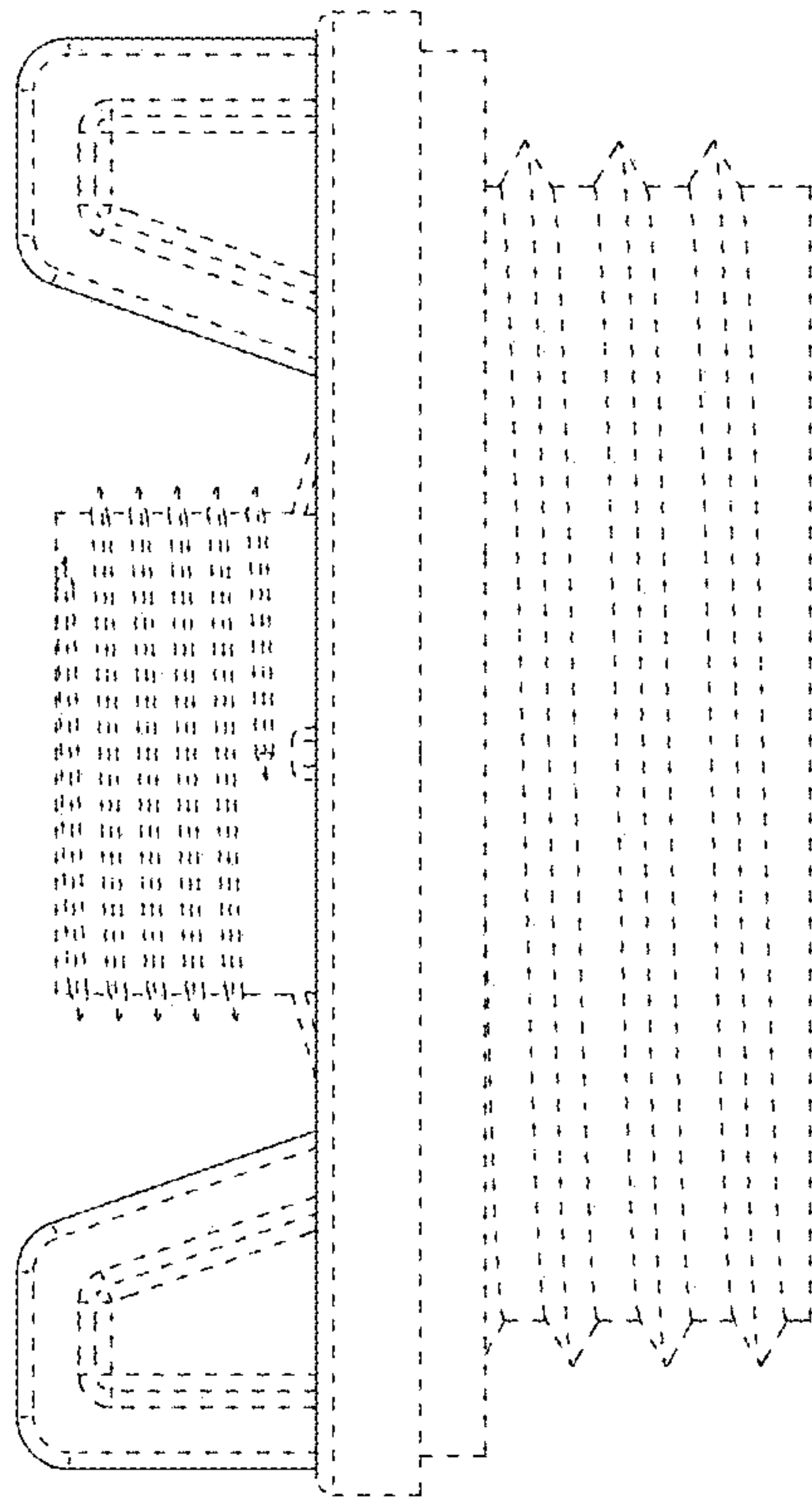


Figure 3

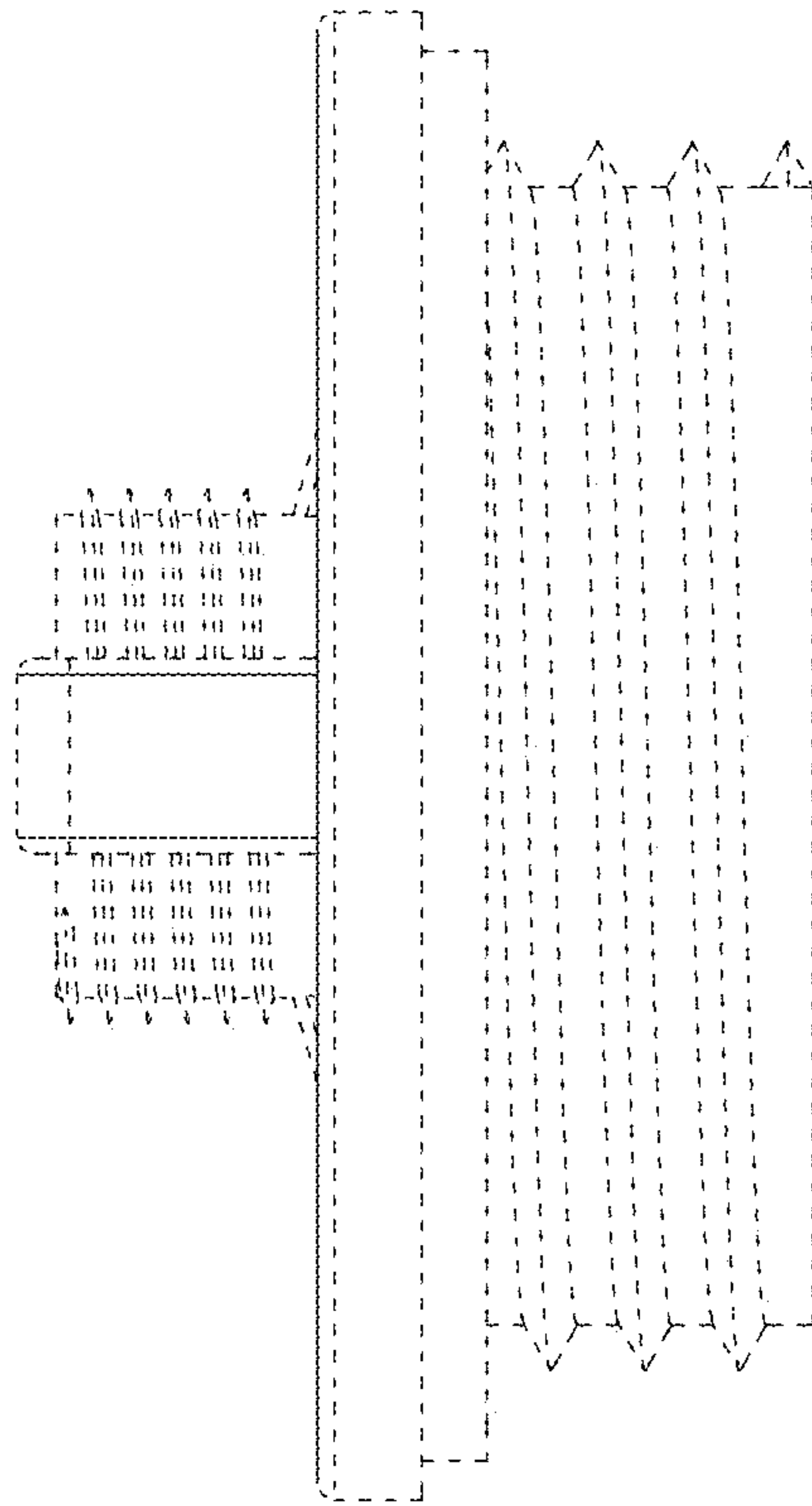


Figure 4

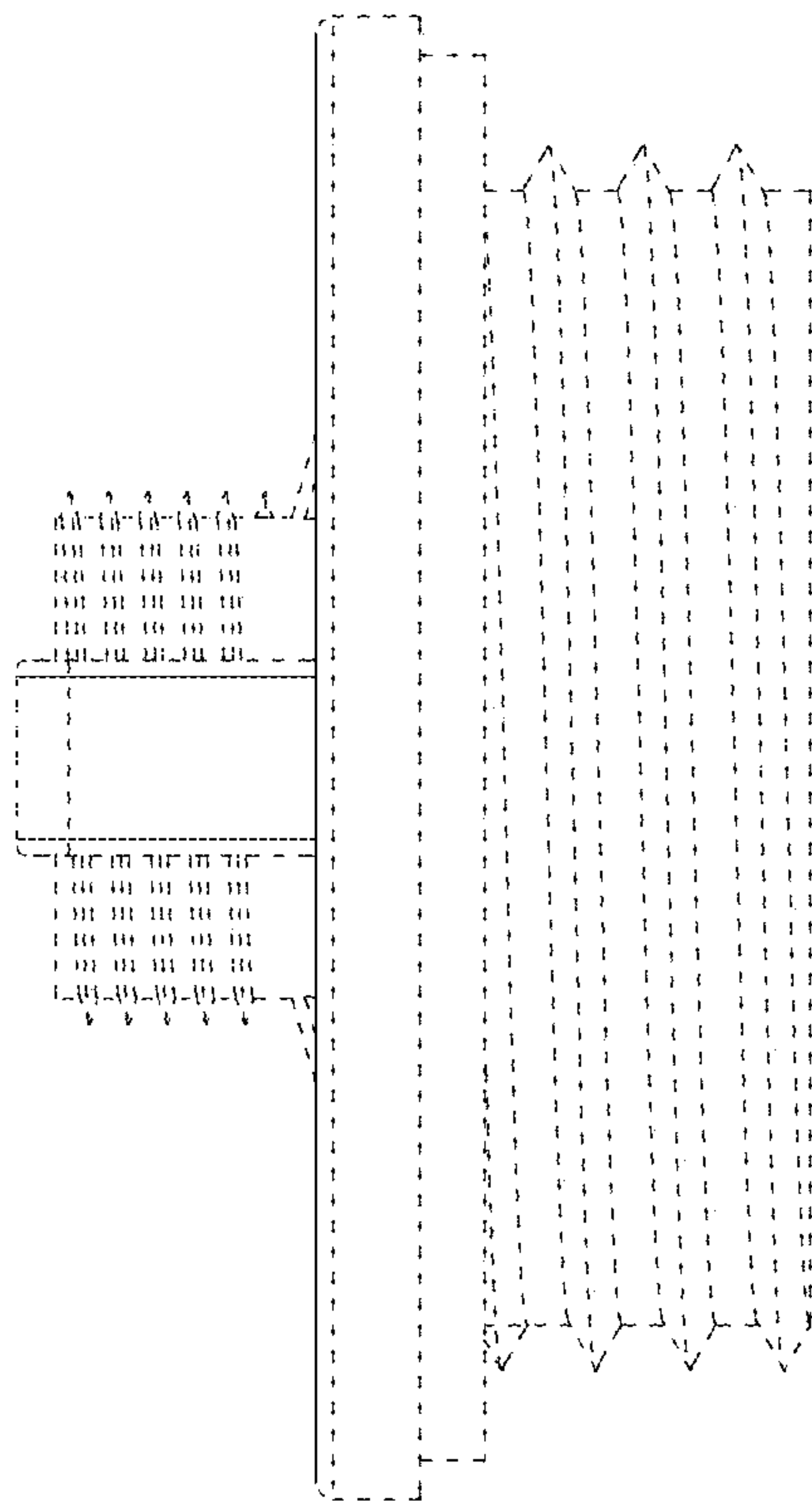


Figure 5

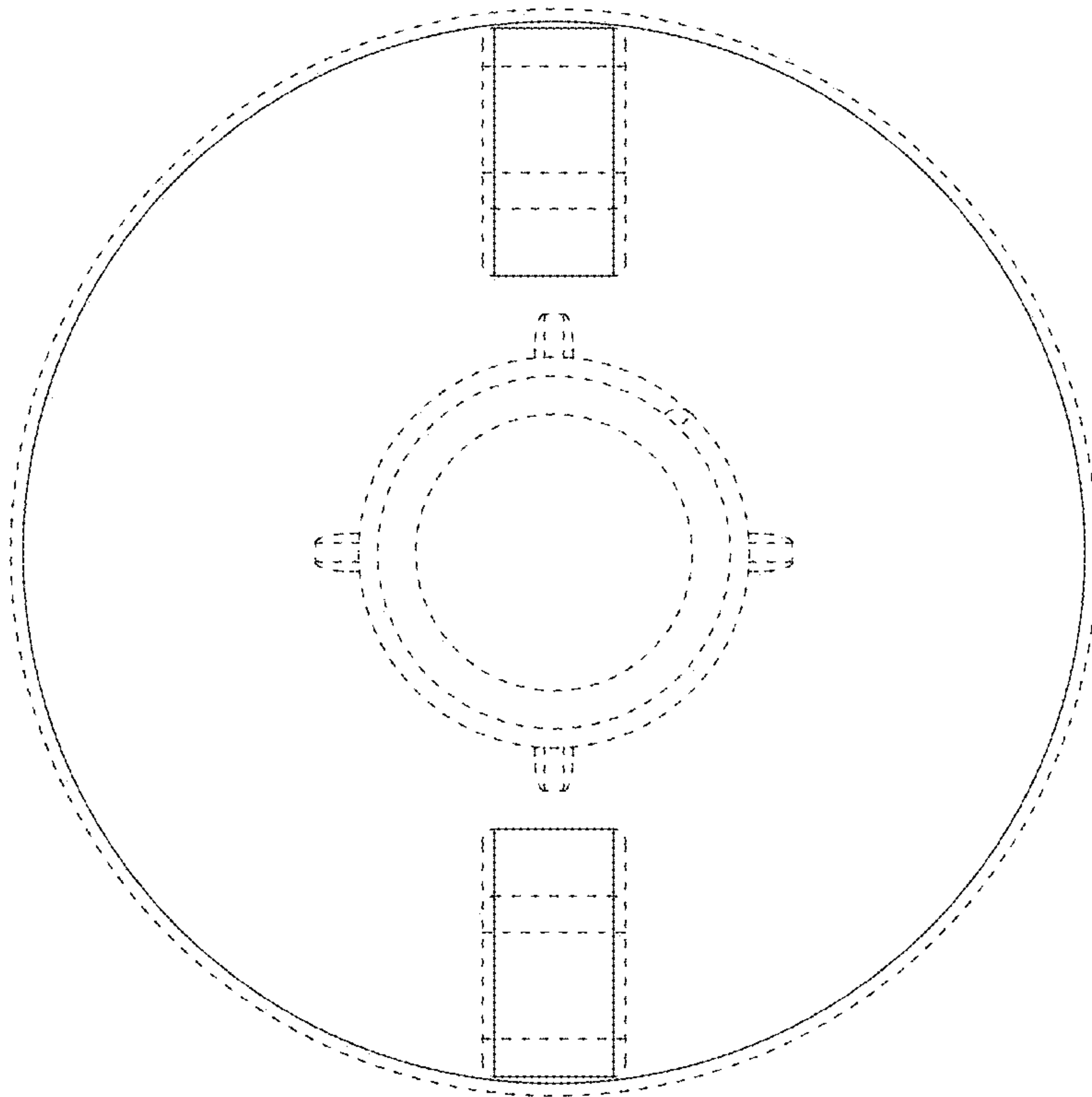


Figure 6

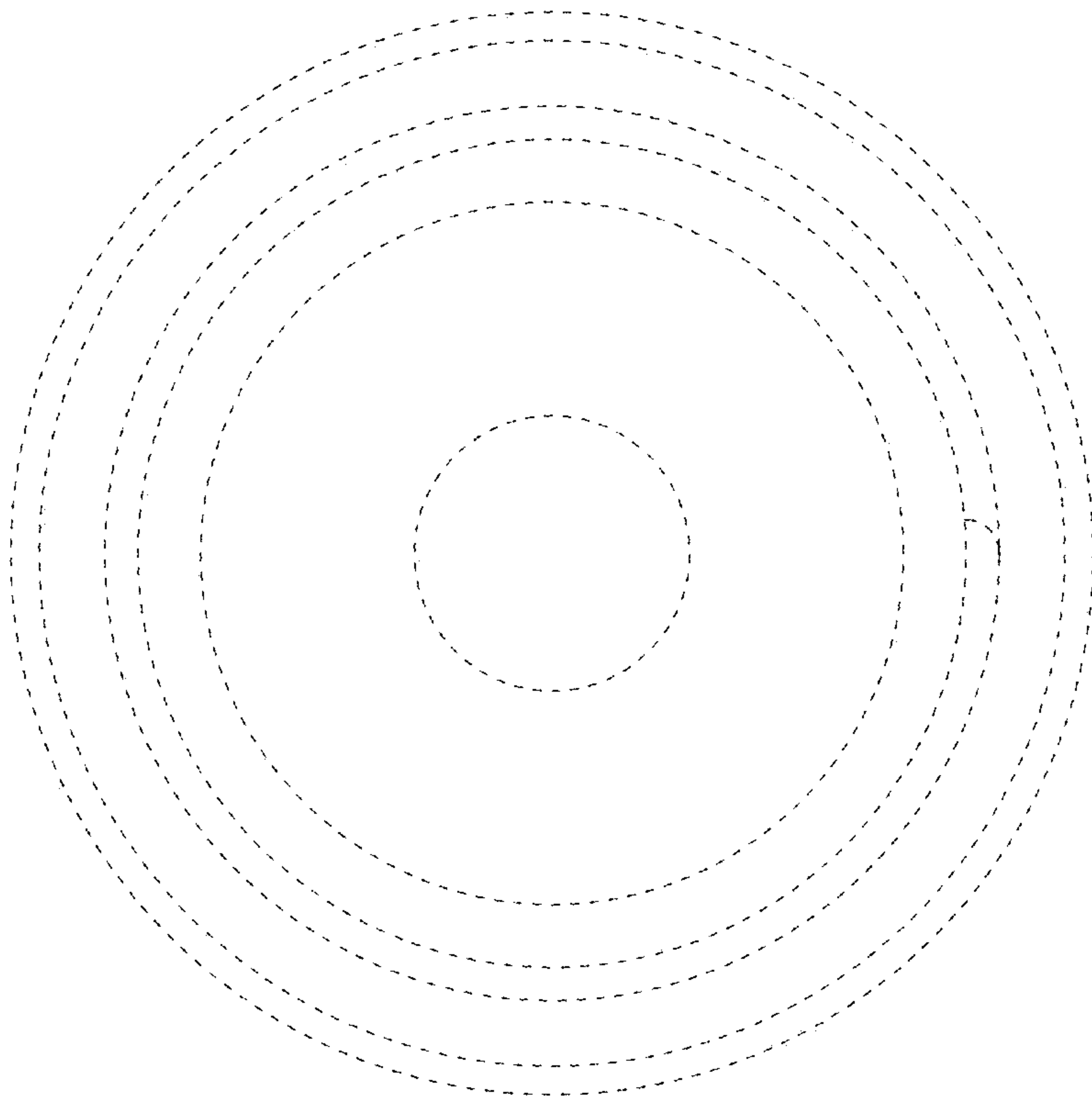


Figure 7