



US00D887783S

(12) **United States Design Patent**
Underkoffler et al.

(10) **Patent No.:** **US D887,783 S**
(45) **Date of Patent:** **** Jun. 23, 2020**

(54) **FOOD PRODUCT TRAY**

- (71) Applicant: **Walmart Apollo, LLC**, Bentonville, AR (US)
- (72) Inventors: **Daniel R. Underkoffler**, Centerton, AR (US); **Jesse A. Collins**, Bentonville, AR (US)
- (73) Assignee: **Walmart Apollo, LLC**, Bentonville, AR (US)
- (**) Term: **15 Years**

(21) Appl. No.: **29/629,649**

(22) Filed: **Dec. 14, 2017**

(51) **LOC (12) Cl.** **07-01**

(52) **U.S. Cl.**
USPC **D7/554.3**

(58) **Field of Classification Search**
USPC D7/500, 538, 550.1, 554.3; D3/203.1, D3/203.6, 225, 218, 273, 302, 304, 314
CPC B65D 1/00; B65D 1/22; B65D 71/0003; B65D 71/0085; B65D 2543/00101; B65D 2543/00296; B65D 1/34
See application file for complete search history.

(56) **References Cited**

U.S. PATENT DOCUMENTS

D264,791 S *	6/1982	Conti	D3/314
D415,656 S *	10/1999	Henry	D7/354
D488,352 S *	4/2004	Tisdale	D7/586
D584,141 S *	1/2009	Smith	D9/414
D585,762 S *	2/2009	Friedland	D9/707
D665,628 S *	8/2012	Mayer	D7/553.2
D693,180 S *	11/2013	Peterson	D7/555
D734,171 S *	7/2015	Bennett	D9/762
D819,407 S *	6/2018	Hutchinson	D7/542

(Continued)

OTHER PUBLICATIONS

U.S. Appl. No. 29/629,680, filed Dec. 14, 2017, Daniel R. Underkoffler.
(Continued)

Primary Examiner — Kelley A Donnelly
(74) *Attorney, Agent, or Firm* — Fitch, Even, Tabin & Flannery LLP

(57) **CLAIM**

We claim the ornamental design for a food product tray, as shown and described.

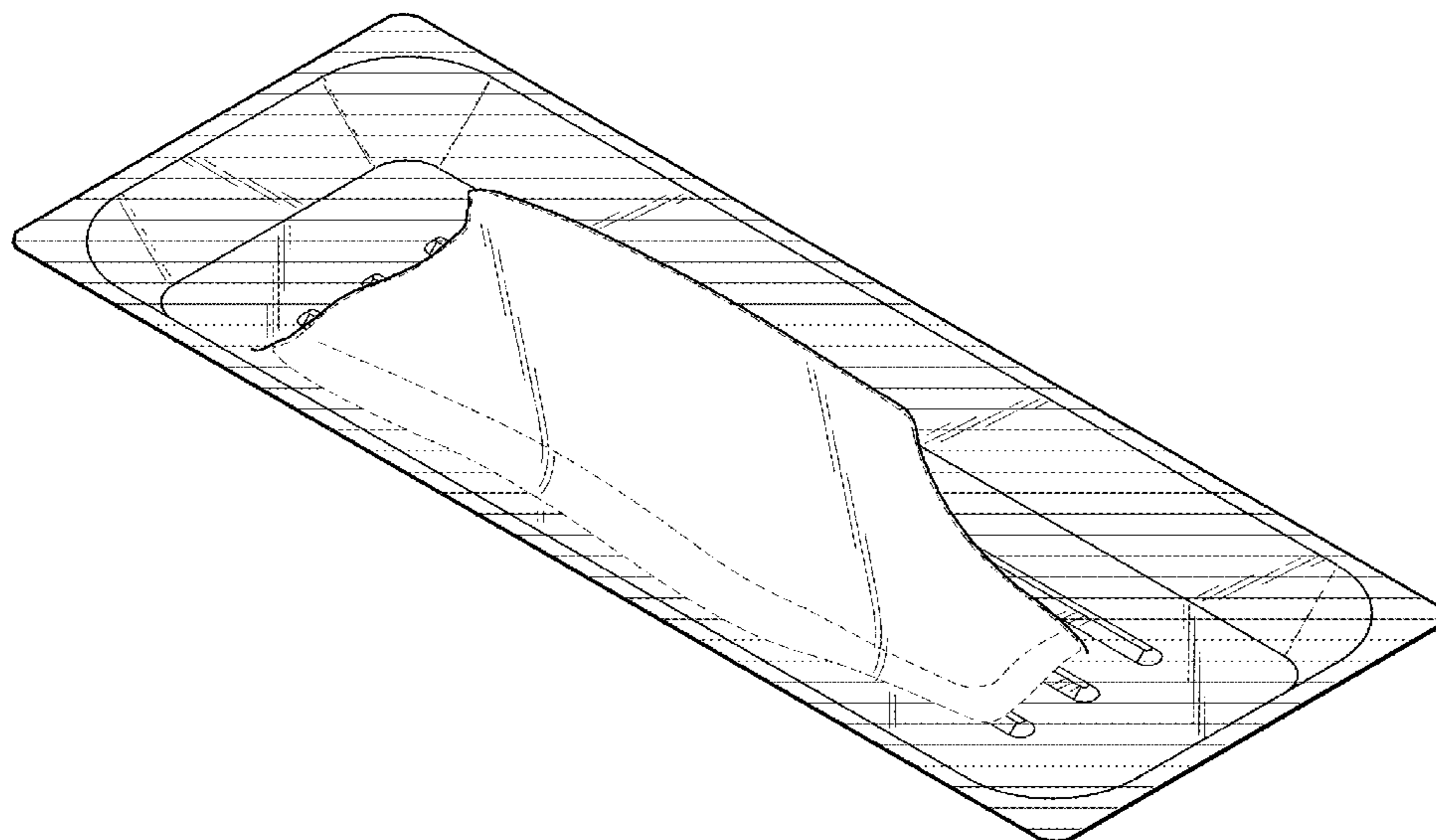
DESCRIPTION

FIG. 1 is a top perspective view of the food product tray of our new design;
FIG. 2 is a bottom perspective view of the food product tray of FIG. 1;
FIG. 3 is a top plan view of the food product tray of FIG. 1;
FIG. 4 is a left side elevation view and also a right side elevation view of the food product tray of FIG. 1;
FIG. 5 is a front end view of the food product tray; the rear end view being a mirror image thereof; and,
FIG. 6 is a bottom plan view of the food product tray of FIG. 1.

The drawings are marked for transparency and lined for color using the symbols in the tables of MPEP 608.02.IX for “Transparent Material” and the color “Blue”, such that the food product tray is at least a partially transparent material having a blue color. The clear, non-colored transparent film covering the food product is also marked as a Transparent Material per MPEP 608.02.IX.

The food product (illustrated to represent a fish food product) sealed in position under a clear and non-colored transparent film generally conforming to the peripheral shape of the food product is illustrated in broken lines for illustrative purposes and forms no part of the claimed design.

1 Claim, 5 Drawing Sheets



(56)

References Cited

U.S. PATENT DOCUMENTS

D819,409 S	*	6/2018	Newton	D7/554.3
D820,629 S	*	6/2018	Lum	D7/354
D830,201 S	*	10/2018	Buck	D9/761
D855,478 S	*	8/2019	Vorobej	D9/756
D856,793 S	*	8/2019	Debnath	D9/415

OTHER PUBLICATIONS

Seaman, Tom; "Marine Harvest hopes Rebel Fish, Walmart ranges bring more US competition"; <https://www.undercurrentnews.com/2016/01/19/marine-harvest-hopes-rebel-fish-walmart-ranges-bringmore-us-competition/>; Jan. 19, 2016; pp. 1-3.

Stewart, Jeanine; "Walmart rolls out fresh seafood line from Marine Harvest nationwide"; <https://www.undercurrentnews.com/2015/07/15/walmart-rolls-out-fresh-seafood-line-from-marineharvest-nationwide/>; Jul. 15, 2015; pp. 1-2.

Tasty Island Honolulu Food Blog; "'Smoked' Gravlax"; <http://tastyislandhawaii.com/2014/03/16/smoked-gravlax/>; Mar. 16, 2014; pp. 1-6.

Walmart Canada; "Your Fresh Market Atlantic Salmon Fillets"; <https://www.walmart.ca/en/ip/your-fresh-market-atlantic-salmon-fillets/6000191273561>; commercially sold prior to Dec. 14, 2017; pp. 1-2.

Walmart; "Clear Fish Package"; sold in Walmart Stores prior to Dec. 14, 2017; pp. 1-2.

walmart.com; "Farm Raised Fresh Atlantic Salmon Fillet, 2.5-3 lbs"; <https://www.walmart.com/ip/Farm-Raised-Fresh-Atlantic-Salmon-Fillet-2-5-3-lbs/115156386>; commercially sold prior to Dec. 14, 2017; pp. 1-10.

walmart.com; "Fish Fresh Steelhead Trout Fillets, .75-1lb"; <https://www.walmart.com/ip/Fish-Fresh-Steelhead-Trout-Fillets-.75-1lb/125652658>; commercially sold prior to Dec. 14, 2017; pp. 1-10.

USPTO; U.S. Appl. No. 29/629,680; Notice of Allowance dated Jan. 2, 2020, 5 pages.

* cited by examiner

FIG. 1

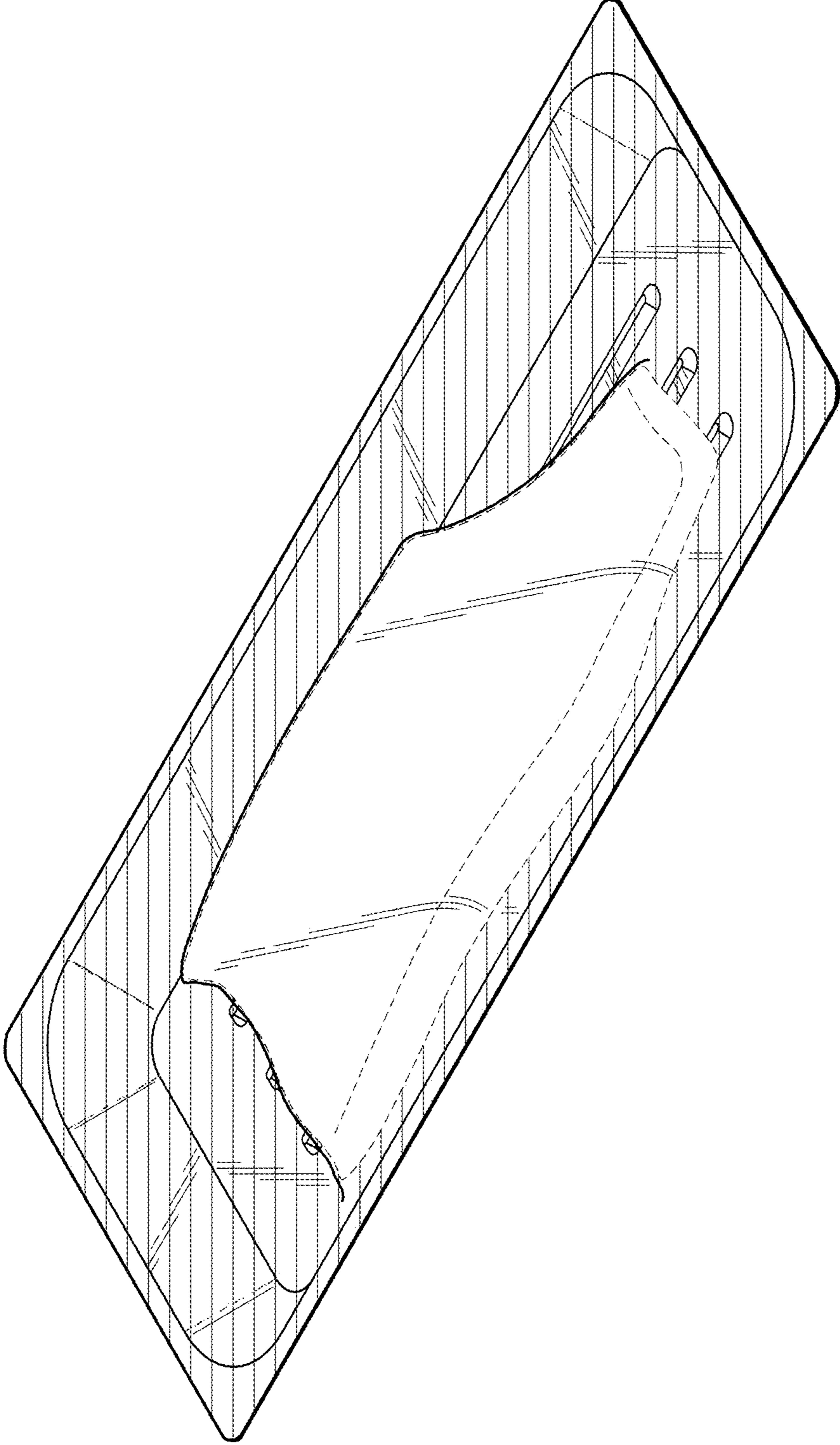


FIG. 2

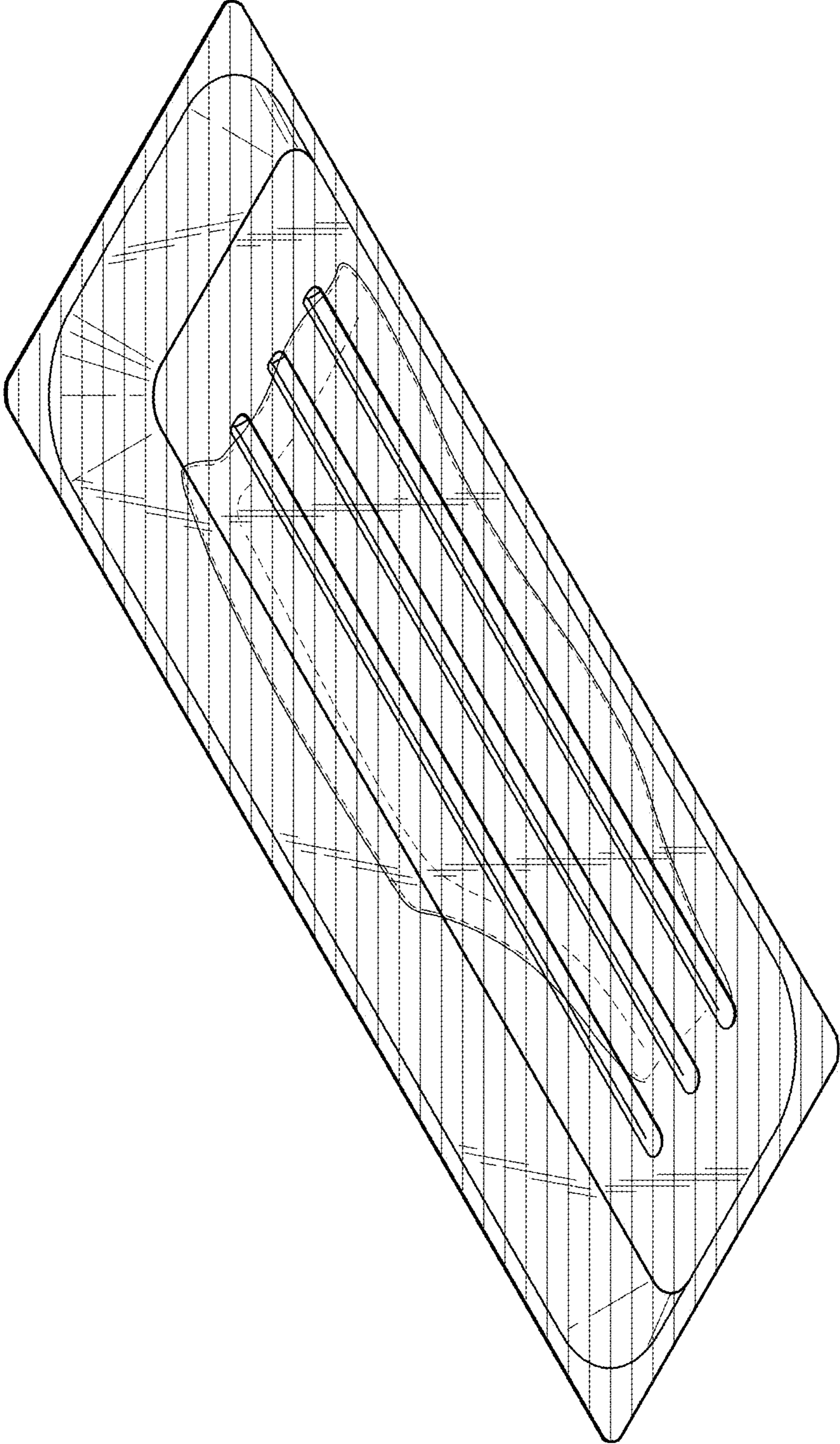


FIG. 3

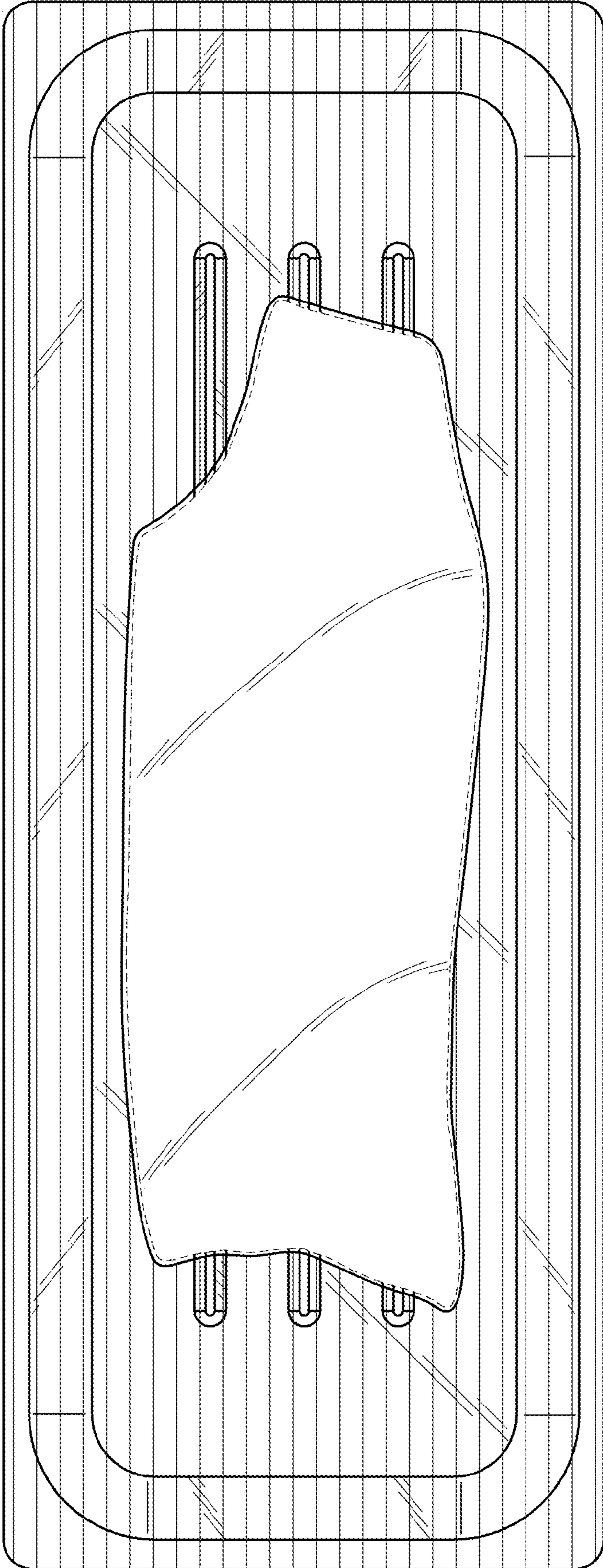


FIG. 4



FIG. 5

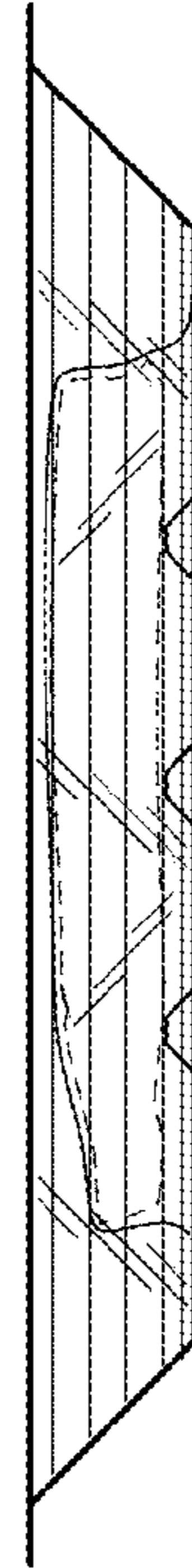


FIG. 6

