



US00D887782S

(12) **United States Design Patent**
Fager

(10) **Patent No.:** **US D887,782 S**

(45) **Date of Patent:** **** Jun. 23, 2020**

- (54) **TRAY FOR A SALAD KIT**
- (71) Applicant: **PLASTIC INGENUITY, INC.**, Cross Plains, WI (US)
- (72) Inventor: **Mark Fager**, Madison, WI (US)
- (73) Assignee: **PLASTIC INGENUITY, INC.**, Cross Plains, WI (US)
- (**) Term: **15 Years**
- (21) Appl. No.: **29/691,114**
- (22) Filed: **May 14, 2019**
- (51) **LOC (12) Cl.** **07-01**
- (52) **U.S. Cl.**
USPC **D7/553.1**
- (58) **Field of Classification Search**
USPC D7/500, 505, 541-543, 545, 546, 549, D7/550.1, 552.1, 553.1, 553.2, 553.6, D7/554.2; D9/424, 761
CPC ... B65D 1/34; B65D 1/36; B65D 1/00; B65D 5/00; B65D 21/00; B65D 2501/24554
See application file for complete search history.

D737,633 S *	9/2015	Breton	D7/553.6
D740,615 S	10/2015	Shoshan et al.	
D745,807 S *	12/2015	Harris	D7/553.2
D766,736 S	9/2016	Shoshan	
D769,732 S	10/2016	Shoshan	
D772,078 S	11/2016	Shoshan et al.	
D782,333 S *	3/2017	Shoshan	D9/737
D802,368 S *	11/2017	Peng	D7/553.2
D804,961 S *	12/2017	Shoshan	D9/737
D809,934 S *	2/2018	Shoshan	D9/737
D829,509 S *	10/2018	Malak	D7/553.1
D850,935 S *	6/2019	Dominion	D9/761
D851,501 S *	6/2019	Dominion	D9/761
D861,500 S *	10/2019	Dominion	D9/761
D862,249 S *	10/2019	Dominion	D9/761

* cited by examiner

Primary Examiner — Kelley A Donnelly

(74) *Attorney, Agent, or Firm* — Rick L. Abegglen

(57) **CLAIM**

I claim the ornamental design for a tray for a salad kit, as shown and described.

DESCRIPTION

FIG. 1 is a top perspective view of my new design in a tray for a salad kit;
 FIG. 2 is a bottom perspective view of my new design of FIG. 1;
 FIG. 3 is a top plan view of my new design of FIG. 1;
 FIG. 4 is a rear elevation view of my new design of FIG. 1;
 FIG. 5 is a left elevation view of my new design of FIG. 1;
 FIG. 6 is a front elevation view of my new design of FIG. 1;
 FIG. 7 is a right elevation view of my new design of FIG. 1; and,
 FIG. 8 is a bottom plan view of my new design of FIG. 1.

1 Claim, 4 Drawing Sheets

- (56) **References Cited**
U.S. PATENT DOCUMENTS
- | | | | |
|--------------|---------|------------------|----------|
| D426,110 S * | 6/2000 | Schmidt | D7/549 |
| D615,821 S * | 5/2010 | Stamper | D7/538 |
| D640,571 S * | 6/2011 | Landry | D9/755 |
| D649,068 S * | 11/2011 | Breton | D9/755 |
| D698,665 S * | 2/2014 | Sifuentes | D9/425 |
| D698,666 S | 2/2014 | Sifuentes et al. | |
| D723,392 S * | 3/2015 | Sifuentes | D9/425 |
| D728,383 S | 5/2015 | Sifuentes et al. | |
| D729,588 S * | 5/2015 | Breton | D7/553.2 |
| D734,098 S * | 7/2015 | Breton | D7/553.6 |

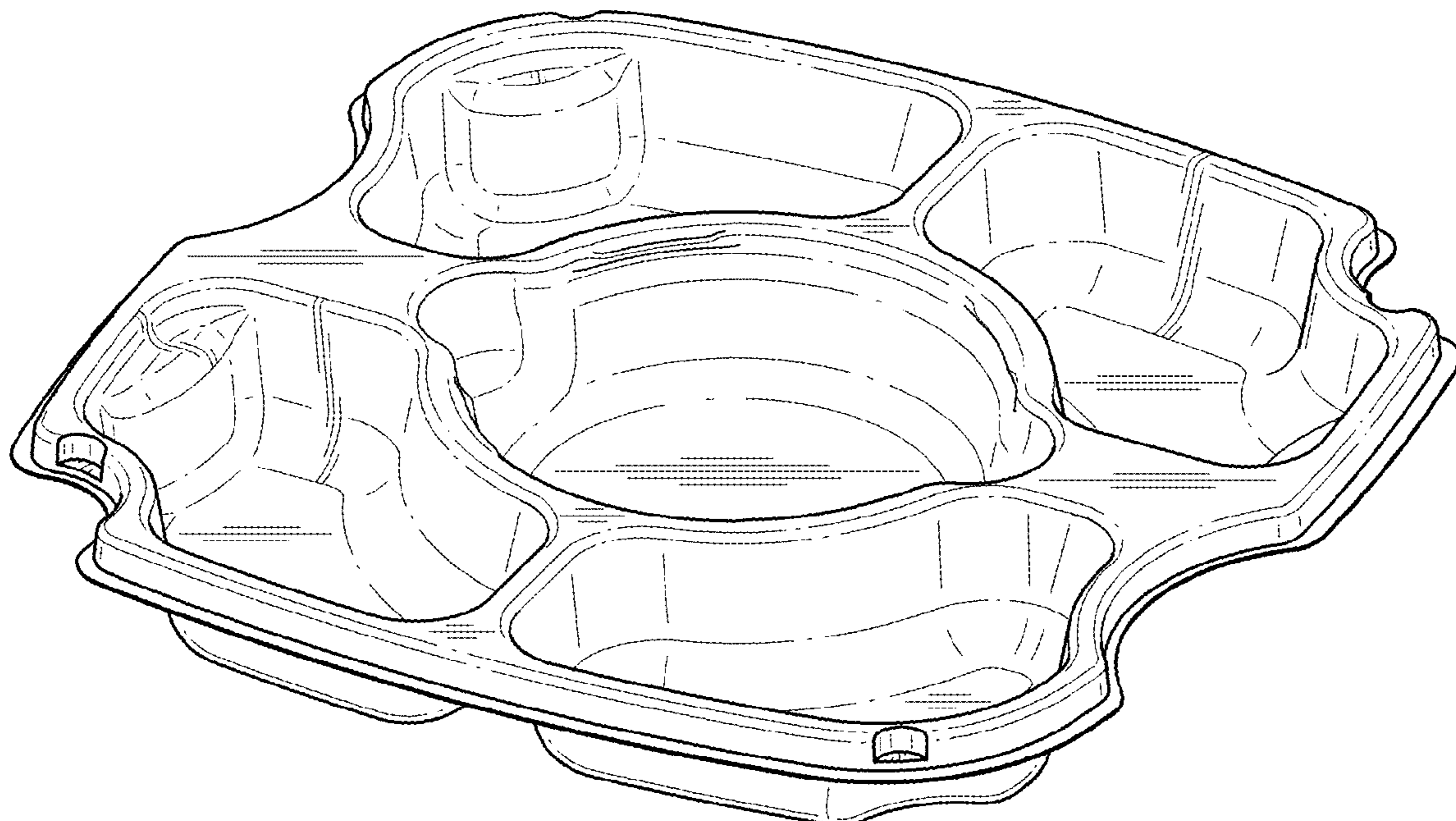


FIG. 1

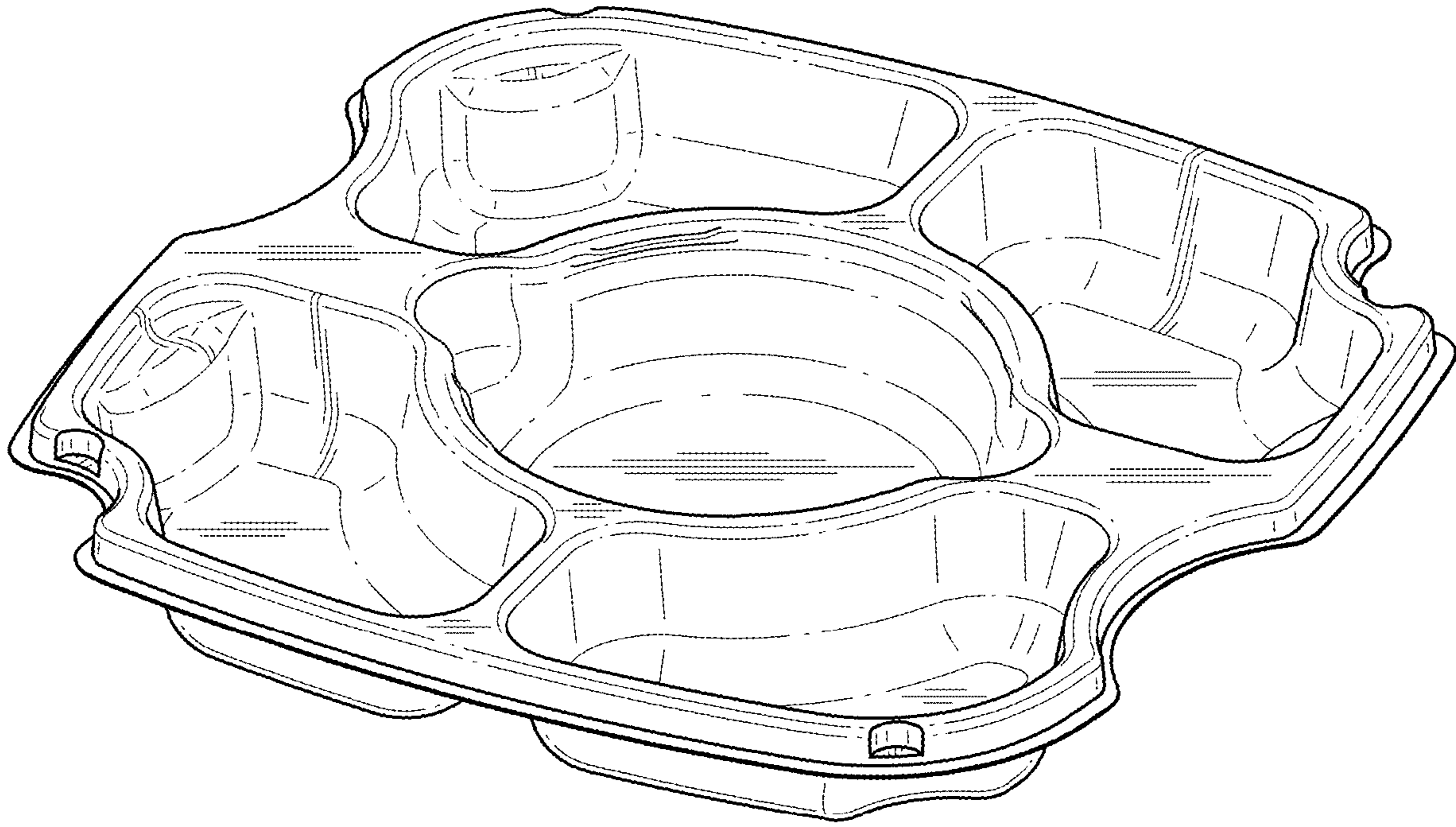
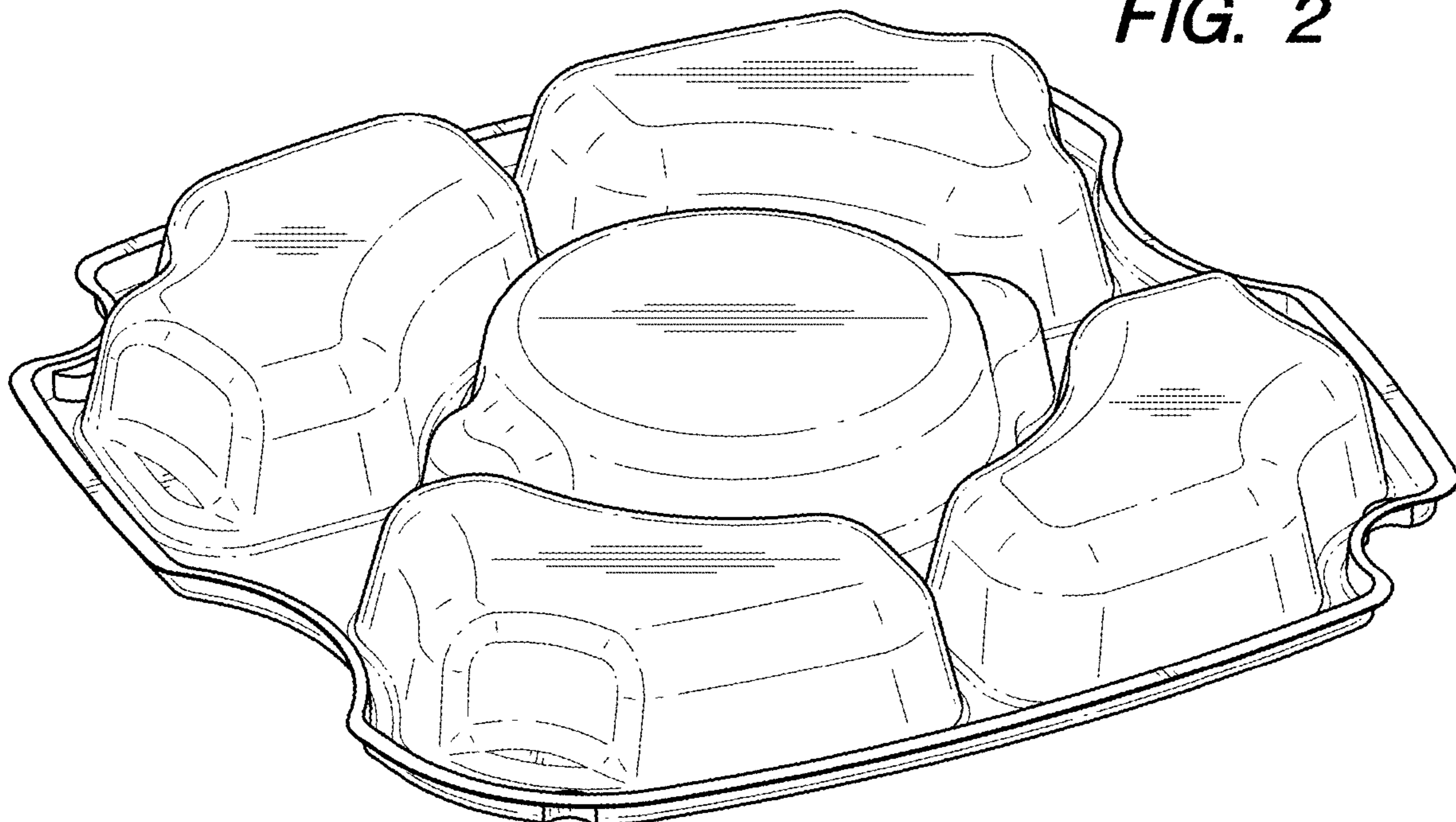


FIG. 2



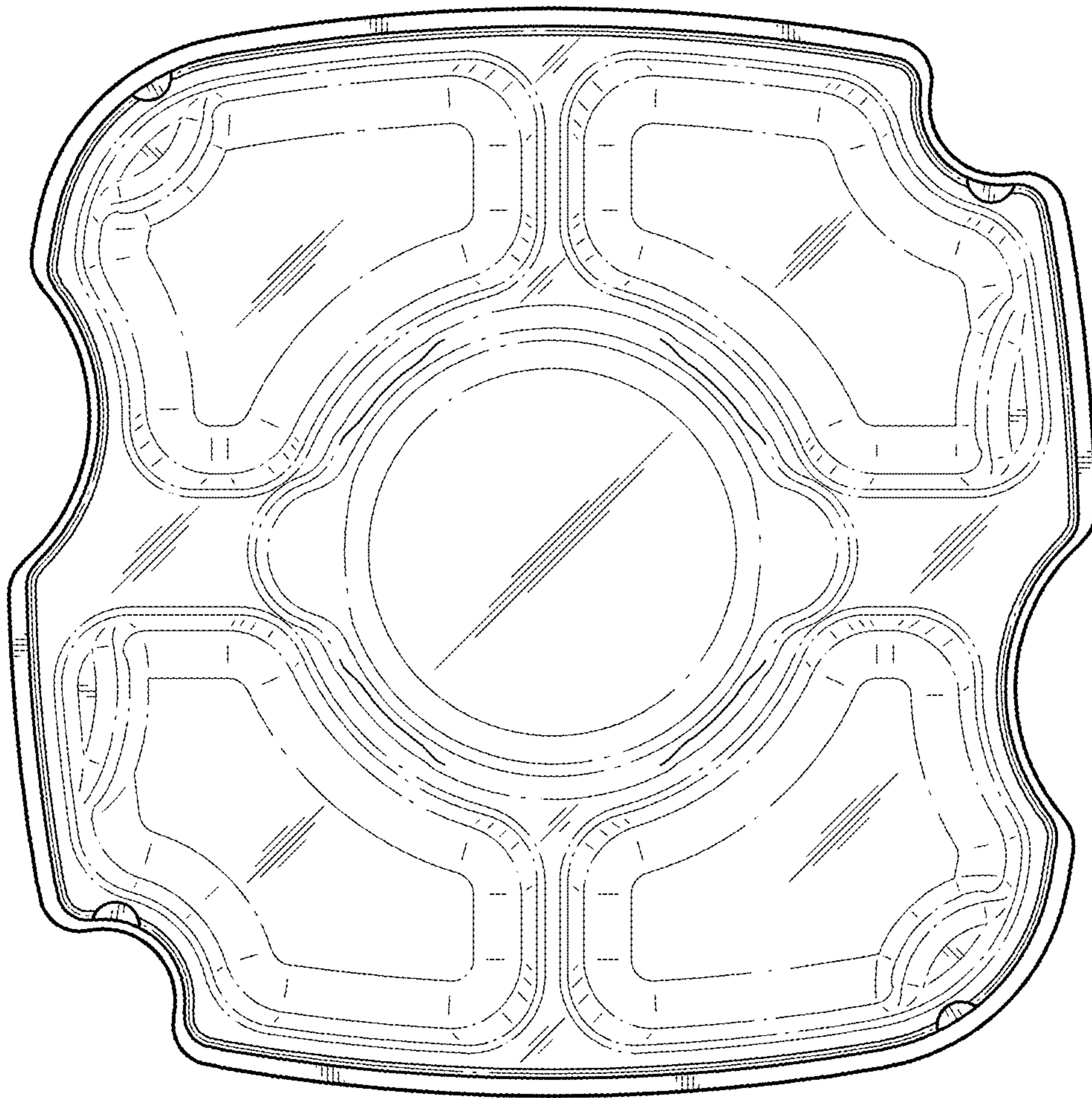


FIG. 3

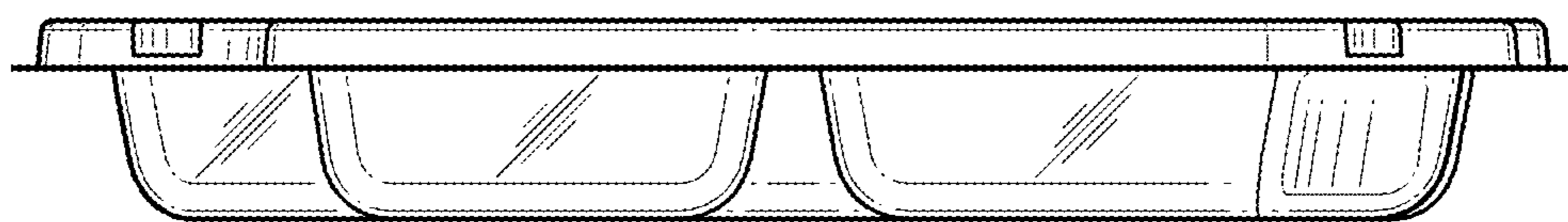


FIG. 4

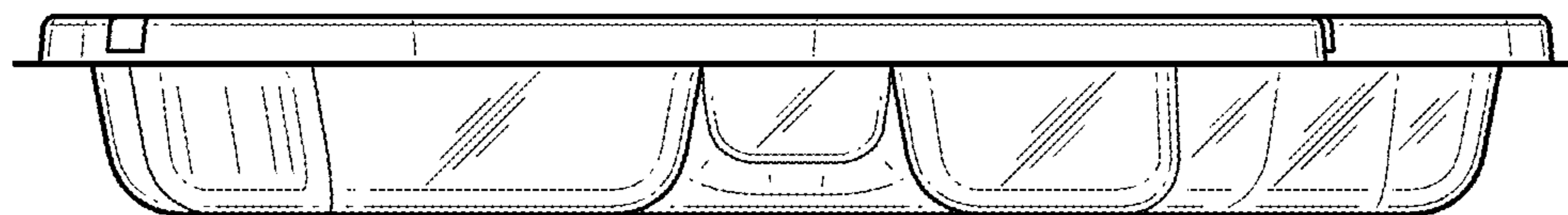


FIG. 5

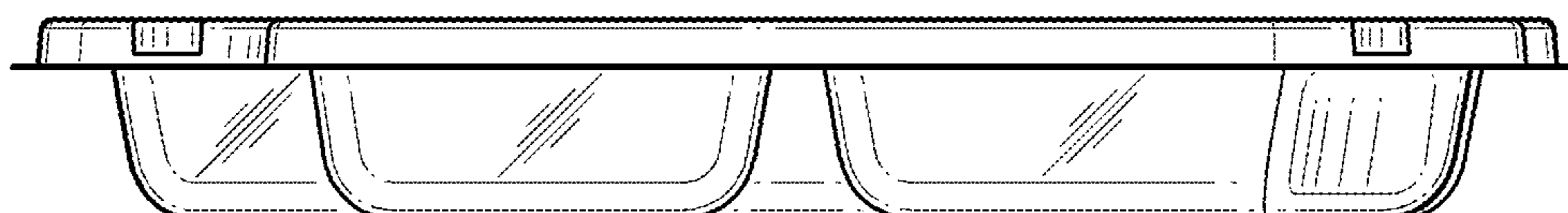


FIG. 6

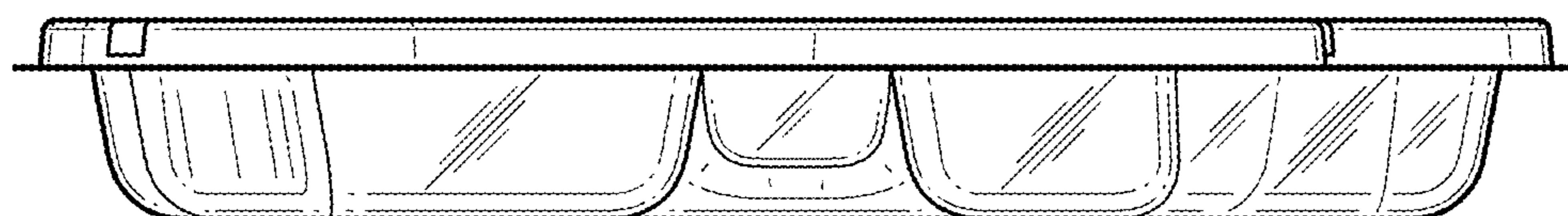


FIG. 7

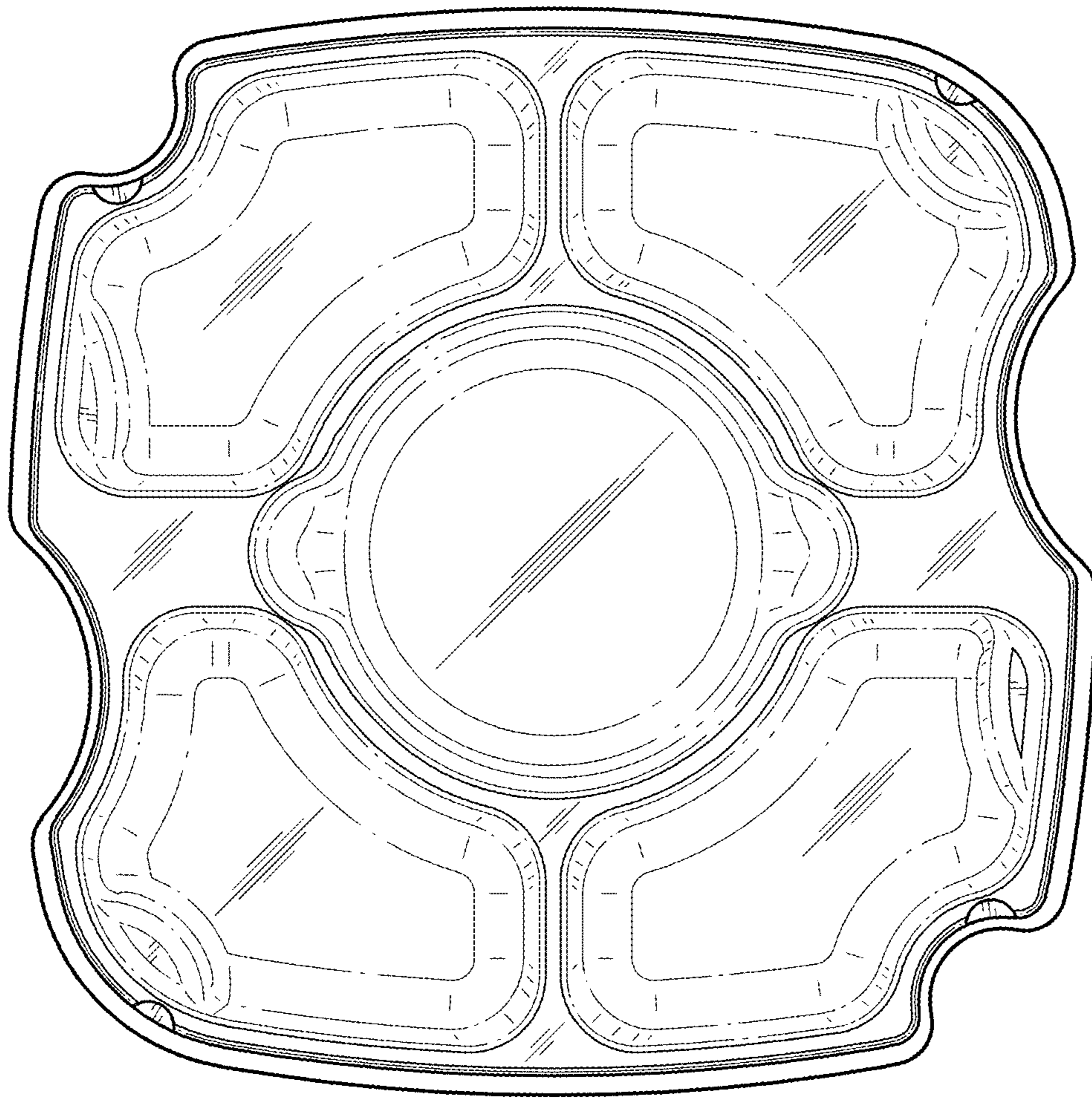


FIG. 8