



US00D887780S

(12) **United States Design Patent**
Chen et al.

(10) **Patent No.:** **US D887,780 S**
(45) **Date of Patent:** **** Jun. 23, 2020**

- (54) **MULTI-LAYER DEWATERING RACK**
- (71) Applicants: **Linbin Chen**, Jieyang (CN); **Wenjie Lin**, Jieyang (CN)
- (72) Inventors: **Linbin Chen**, Jieyang (CN); **Wenjie Lin**, Jieyang (CN)
- (**) Term: **15 Years**
- (21) Appl. No.: **29/728,003**
- (22) Filed: **Mar. 16, 2020**
- (51) **LOC (12) Cl.** **07-02**
- (52) **U.S. Cl.**
USPC **D7/409; D7/354**
- (58) **Field of Classification Search**
USPC D3/306; D7/323, 332, 335-337, D7/354-355, 359-364, 387-388, 402, D7/407-409; D32/37
CPC A21B 2/00; A21B 3/00; A21B 3/13; A21B 3/15; A21B 5/00; A21B 5/02; A23N 12/06; A23N 12/08; A23N 12/10; A45C 11/20; A47J 27/04; A47J 27/122; A47J 37/00; A47J 37/04; A47J 37/041; A47J 37/042; A47J 37/06; A47J 37/0688; A47J 37/0694; A47J 37/07; A47J 37/0704; A47J 37/10; A47J 37/1295; A47J 47/16; A47J 47/20; A47J 2037/00; A47J 2037/06; A47J 2037/0611; A47J 2037/07; A47J 2037/0786; A47J 2037/0795; F24C 15/10; F24C 15/12; F24C 15/14; F24C 15/16; F24C 15/164; F24C 15/18
See application file for complete search history.

5,195,424	A *	3/1993	Guajaca	A47J 27/04	126/348
D339,266	S *	9/1993	Lockett	D7/323	
D532,623	S	11/2006	Tsai			
D546,585	S	7/2007	Tsai			
D577,256	S *	9/2008	Schutte	D7/409	
8,025,007	B1 *	9/2011	Boyer	A47J 37/1295	99/339
D671,286	S *	11/2012	Pelosi	D32/37	
D755,012	S *	5/2016	Zemel	D7/354	
D810,438	S *	2/2018	Romzek	D3/306	
D827,372	S *	9/2018	Cielenski	D7/408	
D841,374	S	2/2019	Felsenthal et al.			
D858,193	S *	9/2019	Romzek	D7/409	
D878,860	S *	3/2020	Halasinski	D7/409	
D880,938	S *	4/2020	Chen	D7/409	

* cited by examiner

Primary Examiner — Ricky Pham
(74) *Attorney, Agent, or Firm* — HYIP

(57) **CLAIM**

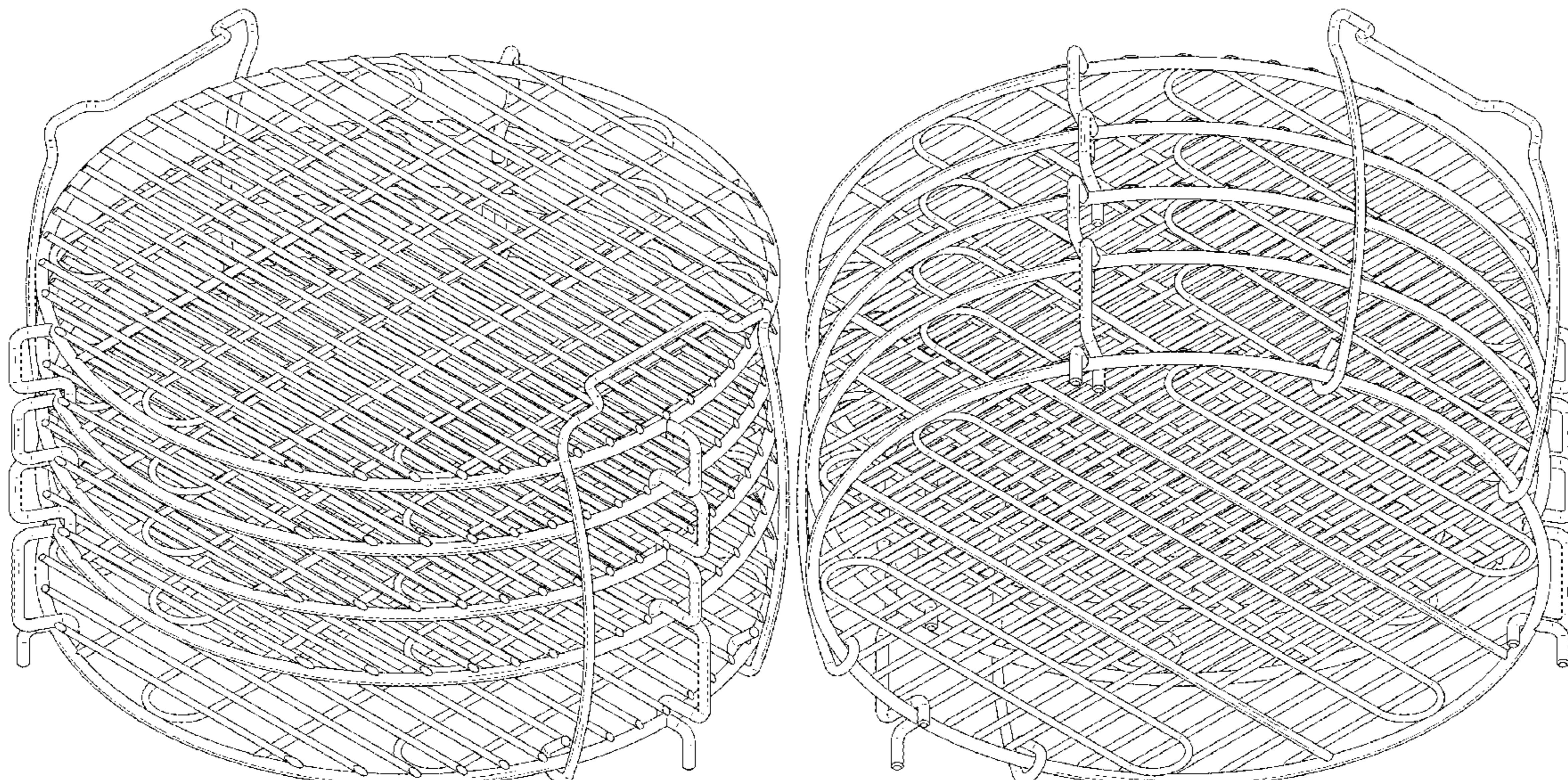
The ornamental design for a multi-layer dewatering rack, as shown and described.

DESCRIPTION

FIG. 1 is a first perspective view of a multi-layer dewatering rack showing our new design;
FIG. 2 is a second perspective view thereof;
FIG. 3 is a front view thereof;
FIG. 4 is a back view thereof;
FIG. 5 is a left side view thereof;
FIG. 6 is a right side view thereof;
FIG. 7 is a top view thereof;
FIG. 8 is a bottom view thereof; and,
FIG. 9 is a exploded view of the multi-layer dewatering rack thereof.

1 Claim, 9 Drawing Sheets

- (56) **References Cited**
U.S. PATENT DOCUMENTS
1,956,678 A * 5/1934 Hanson A45C 11/20
108/183
3,212,426 A * 10/1965 Lewus A47J 27/04
99/339



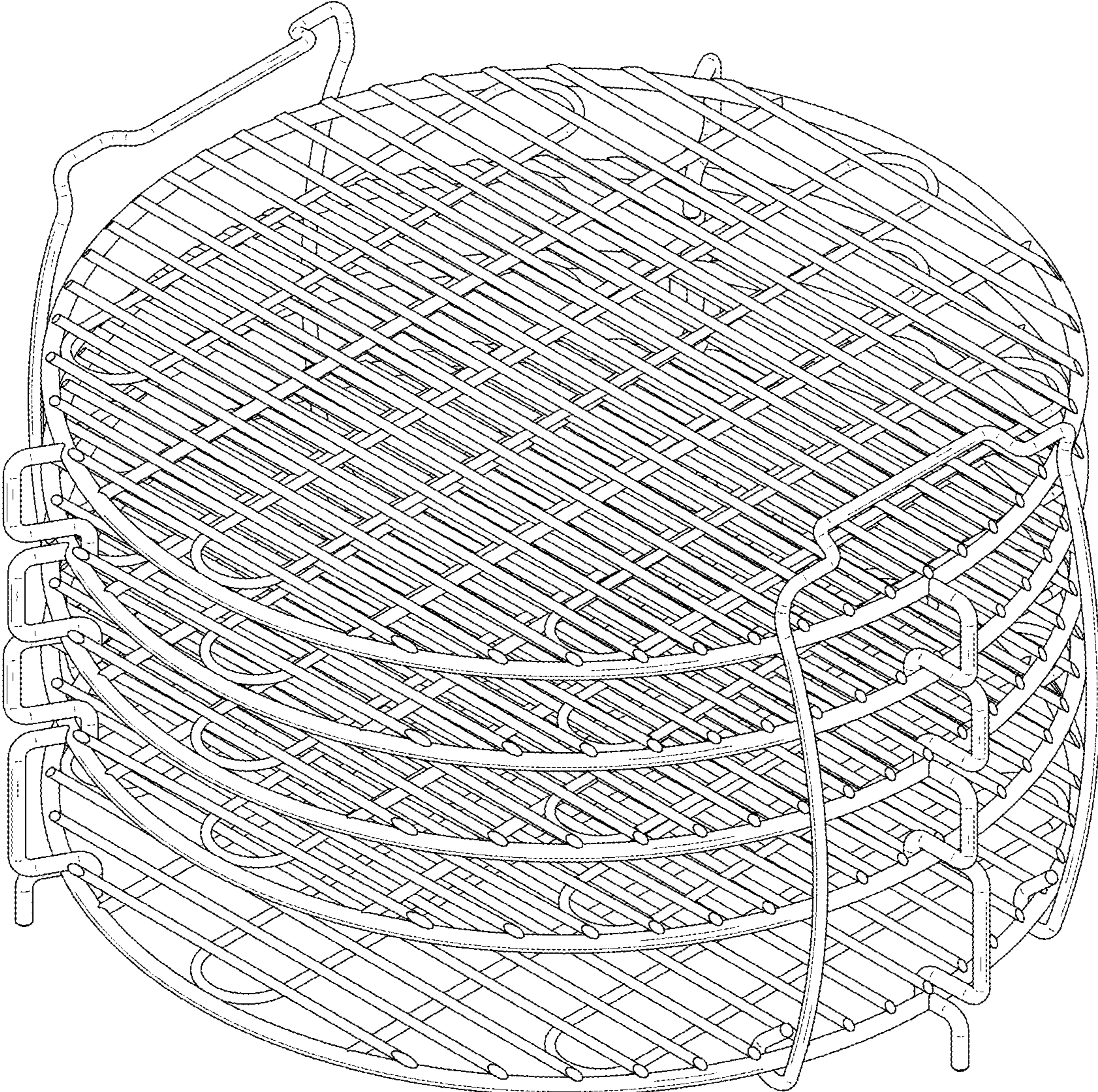


FIG. 1

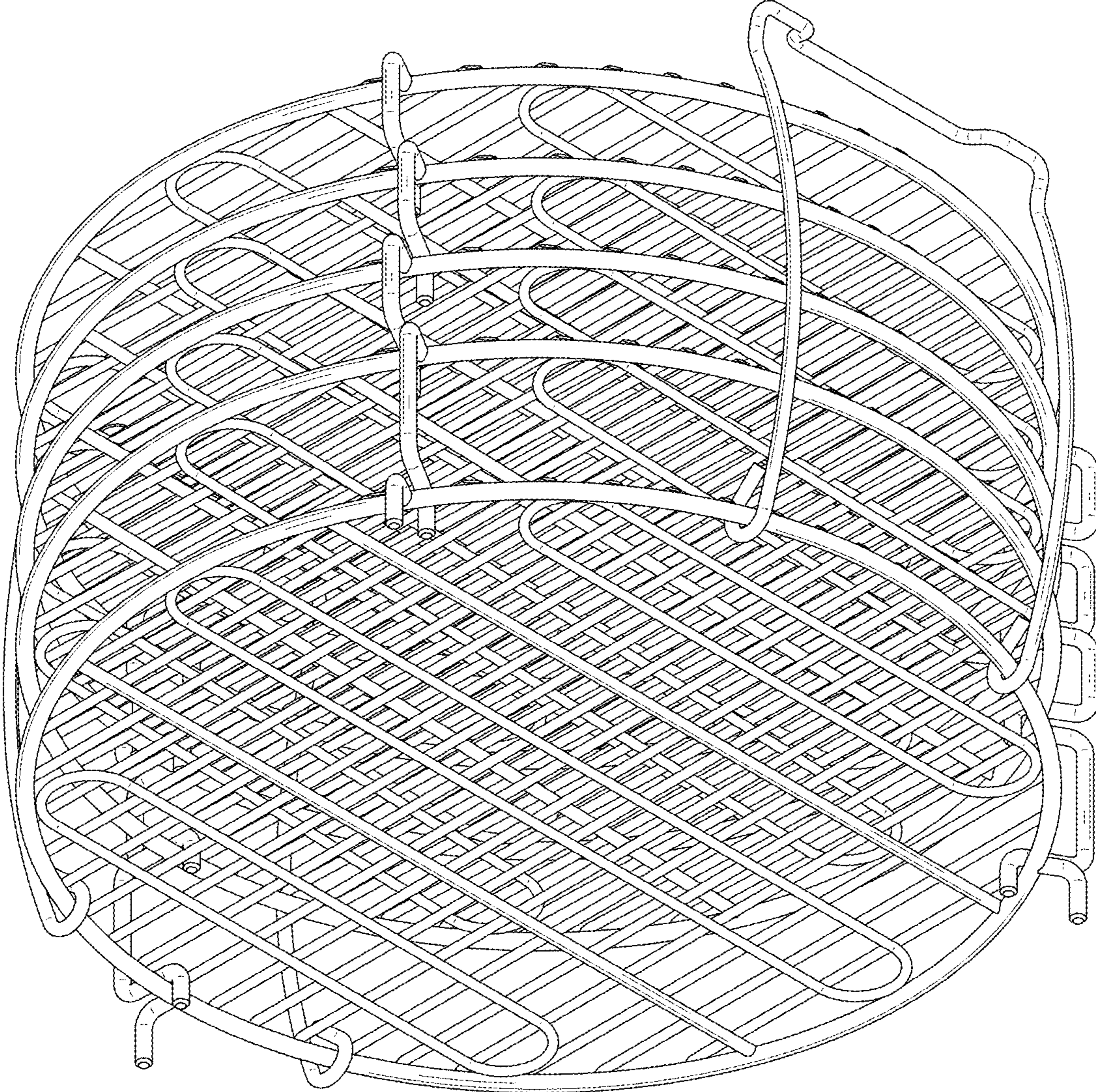


FIG. 2

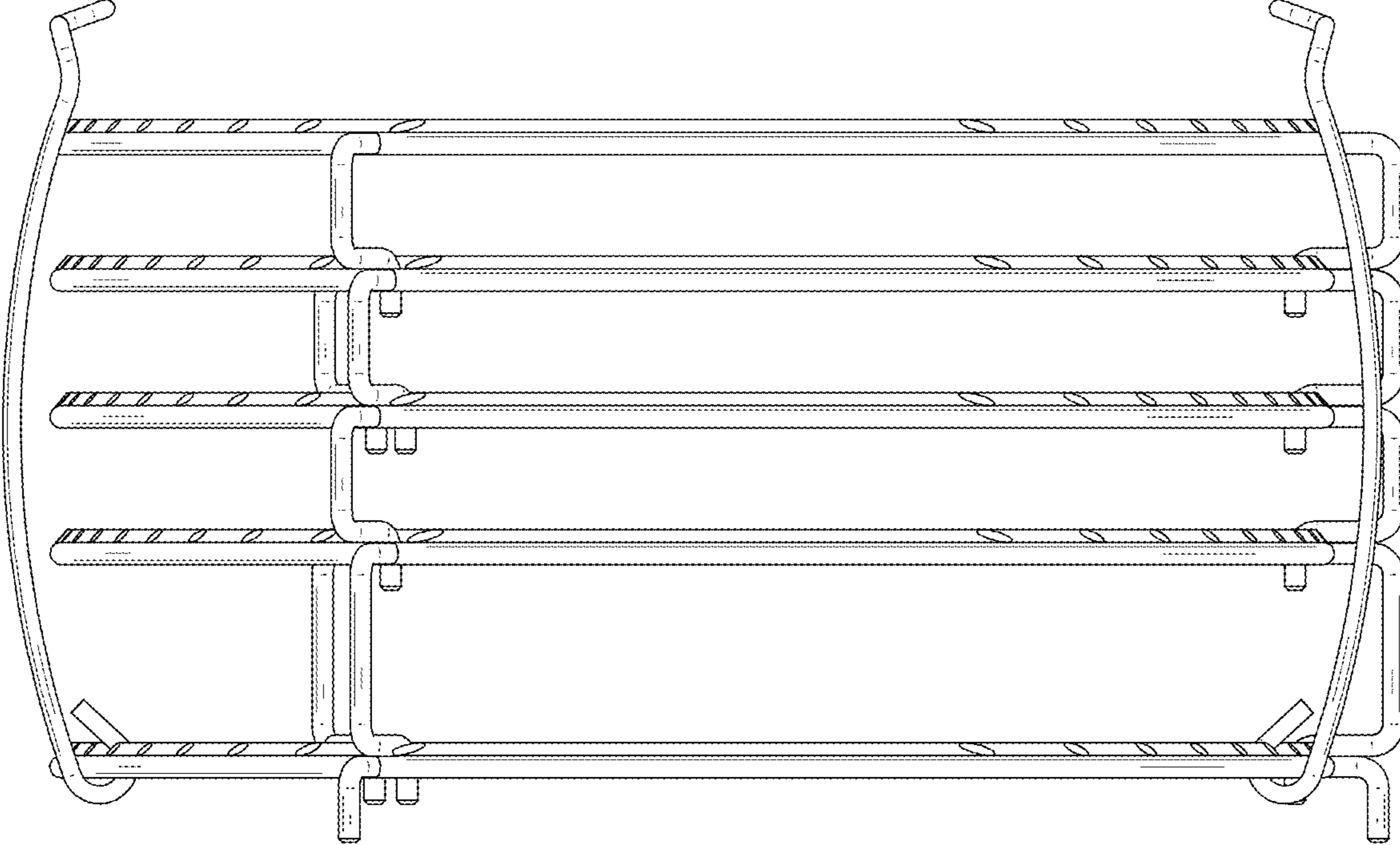


FIG. 3

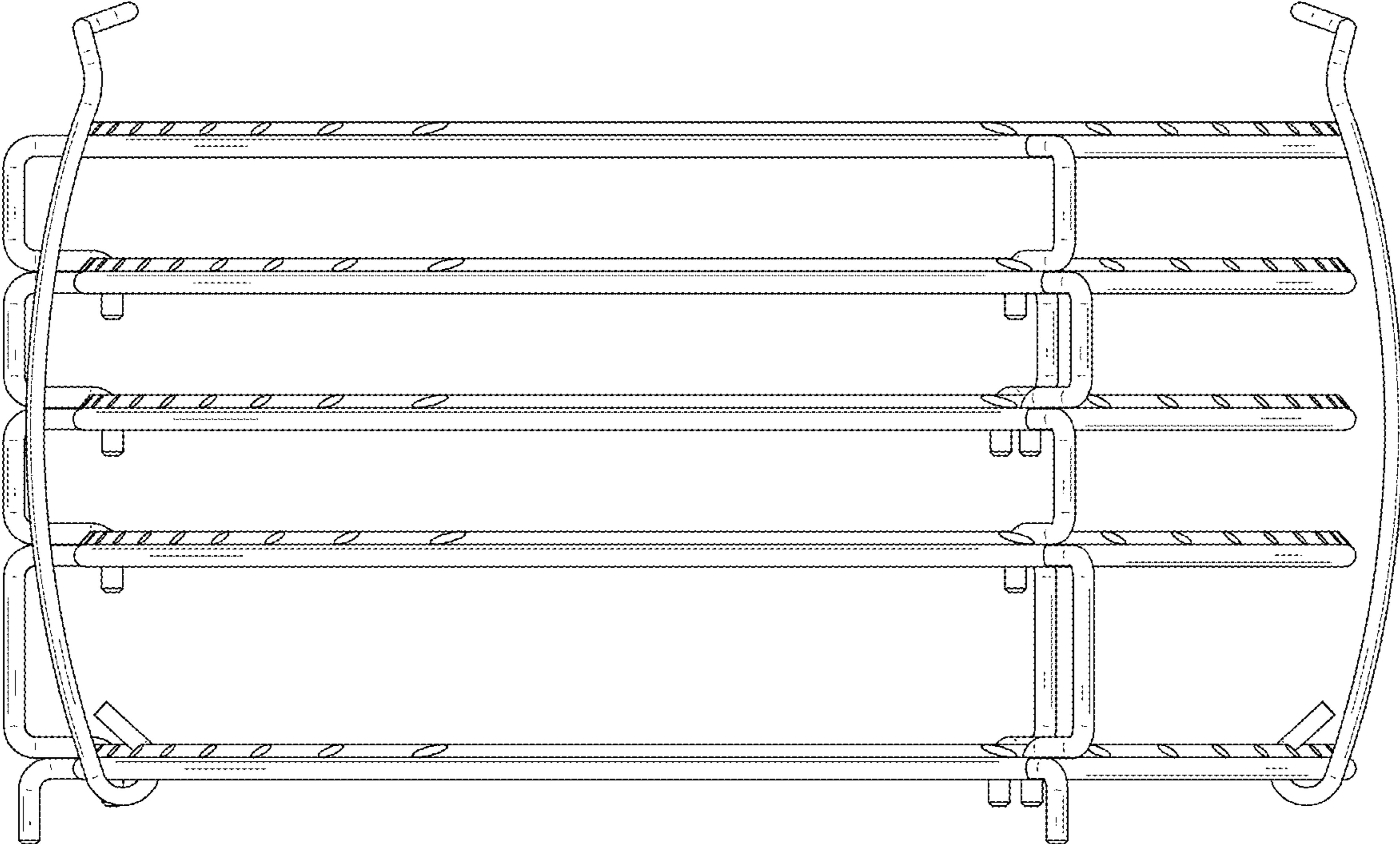


FIG. 4

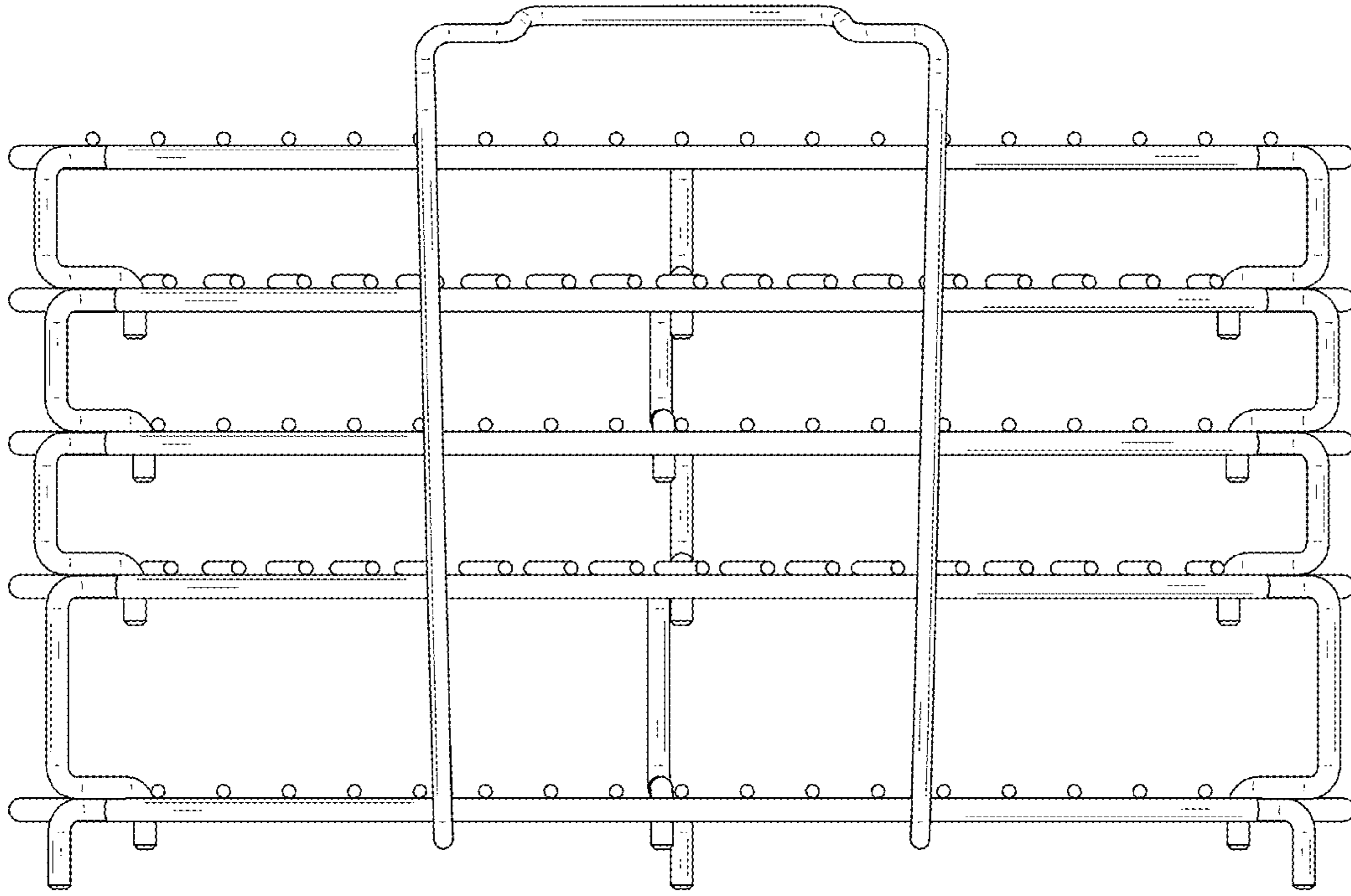


FIG. 5

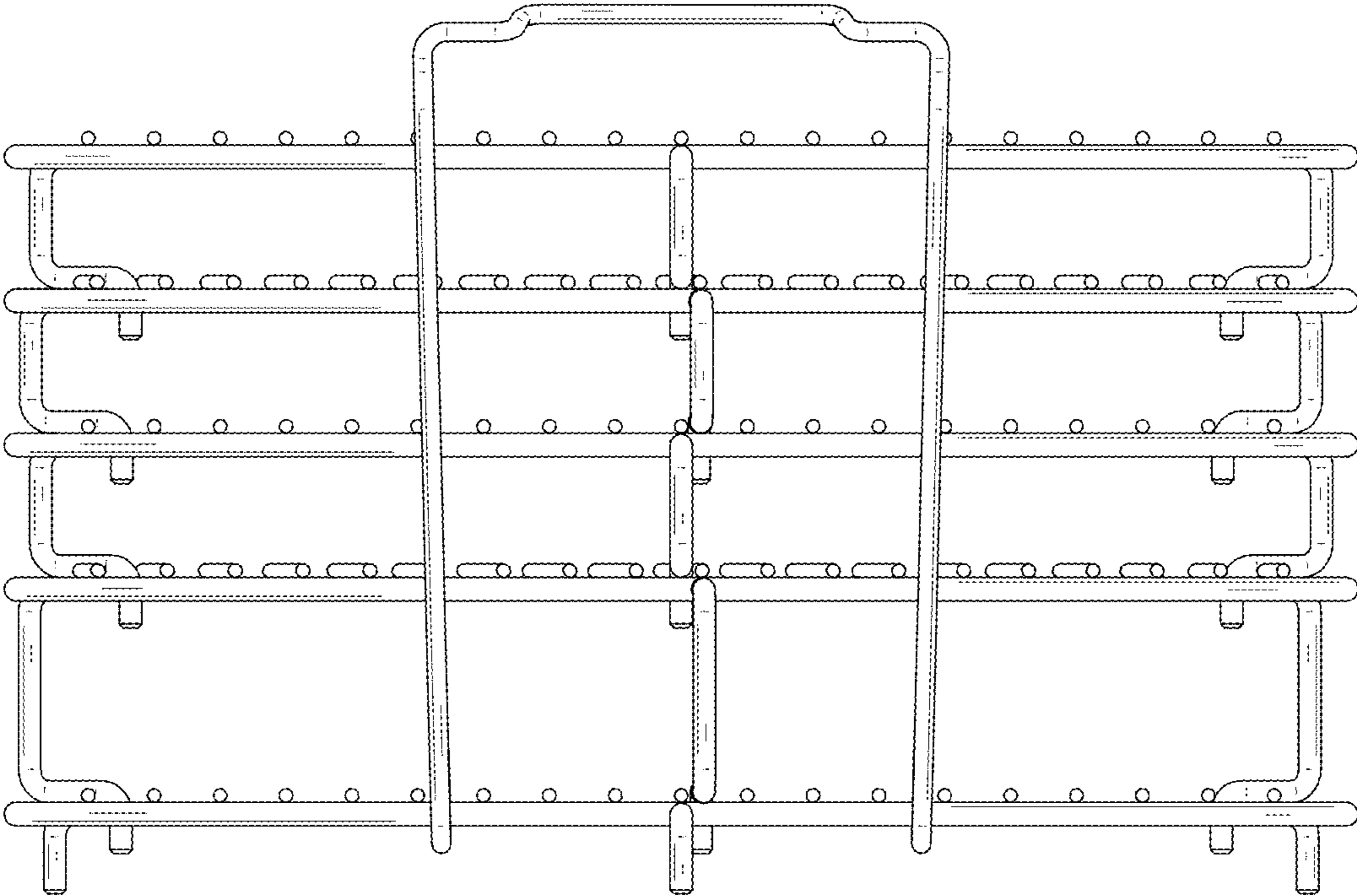


FIG. 6

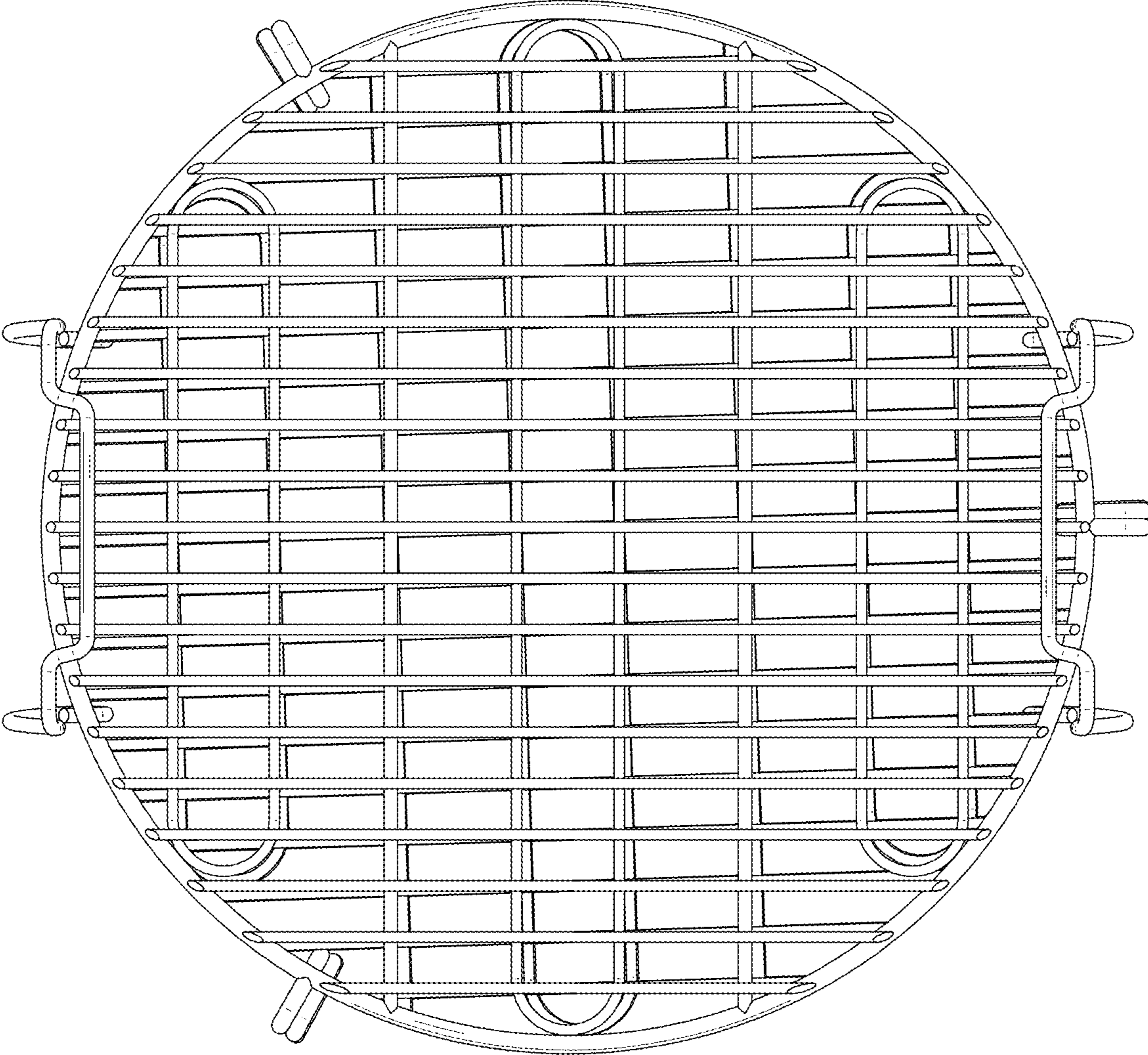


FIG. 7

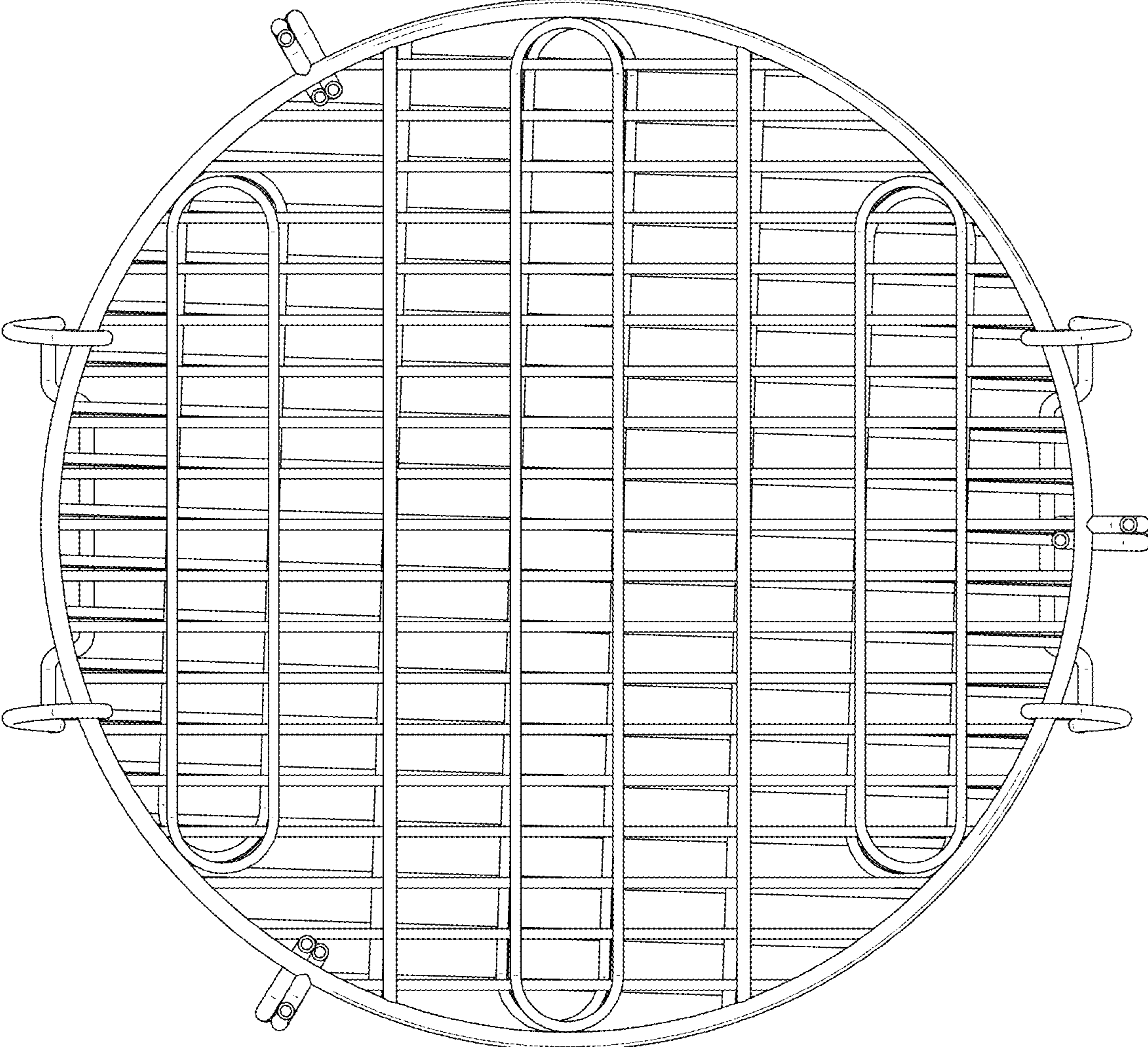


FIG. 8

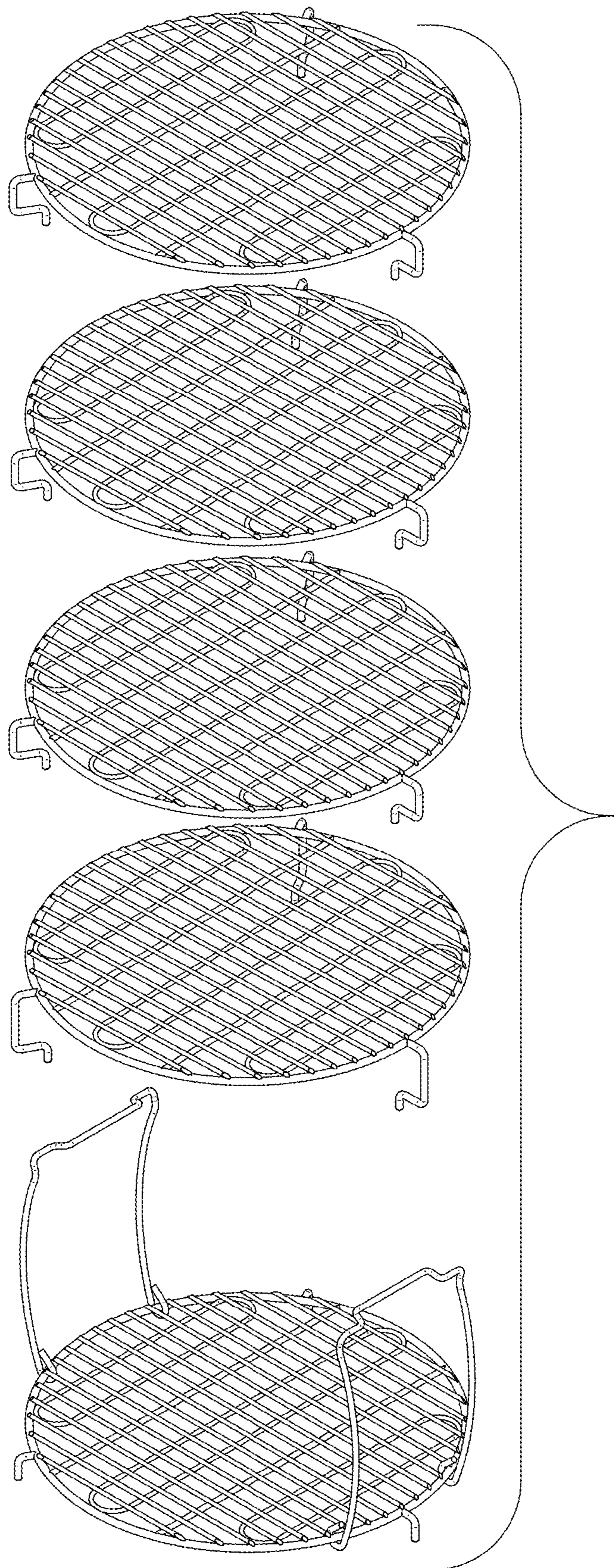


FIG. 9