



US00D887776S

(12) **United States Design Patent**
Bo

(10) **Patent No.:** **US D887,776 S**
(45) **Date of Patent:** **** Jun. 23, 2020**

- (54) **WATER BOTTLE STRAW LID**
- (71) Applicant: **Yongkang Qiqing Industry and Trade Co., Ltd., Yongkang (CN)**
- (72) Inventor: **Zhang Bo, Gongxian (CN)**
- (**) Term: **15 Years**
- (21) Appl. No.: **29/708,840**
- (22) Filed: **Oct. 10, 2019**
- (51) **LOC (12) Cl.** **07-01**
- (52) **U.S. Cl.**
USPC **D7/392.1; D7/396.2; D9/443; D9/435**
- (58) **Field of Classification Search**
USPC D7/509, 510, 511, 523, 529, 532, 530, D7/531, 533, 536, 318, 319, 507, 524, D7/392.1, 396.2, 300.2; D9/503, 504, D9/440, 449, 450, 609, 601, 435, 436, D9/684, 688, 728, 686, 443, 439; D3/202
CPC A47G 19/22; A47G 19/2288; A47G 19/2205; A47G 19/2272; B65D 1/265; A47J 41/0077; A47J 41/0088; A47J 41/028
See application file for complete search history.

(56) **References Cited**
U.S. PATENT DOCUMENTS

| | | | |
|--------------|---------|---------------|----------|
| D547,607 S | 7/2007 | Forsman | |
| D591,108 S | 4/2009 | Pesach et al. | |
| D596,459 S | 7/2009 | Ghiassi | |
| D629,644 S | 12/2010 | Zhuang et al. | |
| D704,986 S * | 5/2014 | Manies | D7/392.1 |
| D720,218 S * | 12/2014 | Hutson | D9/443 |
| D734,151 S | 7/2015 | Herbst | |
| D768,439 S * | 10/2016 | Shin | D7/510 |
| D786,012 S * | 5/2017 | Hein | D7/396.2 |

| | | | |
|-------------------|---------|---------|-------------|
| D799,320 S * | 10/2017 | Goodwin | D7/392.1 |
| 9,776,777 B2 * | 10/2017 | Gorbald | B65D 51/242 |
| D806,468 S * | 1/2018 | Goodwin | D7/392.1 |
| D811,162 S * | 2/2018 | Rane | D7/396.2 |
| D812,966 S * | 3/2018 | Murosky | D7/392.1 |
| D835,938 S * | 12/2018 | Zou | D7/392.1 |
| D857,446 S * | 8/2019 | Bell | D7/392.1 |
| D862,985 S * | 10/2019 | Backs | D7/511 |
| D867,812 S * | 11/2019 | Lane | D7/392.1 |
| D868,534 S * | 12/2019 | Lin | D7/392.1 |
| D870,508 S * | 12/2019 | Palkon | D7/392.1 |
| D870,509 S * | 12/2019 | Bo | D7/392.1 |
| D871,144 S * | 12/2019 | Zhang | D7/510 |
| D872,522 S * | 1/2020 | Diener | D7/392.1 |
| D872,524 S * | 1/2020 | Bo | D7/392.1 |
| 2016/0318693 A1 * | 11/2016 | Hein | B65D 51/242 |

* cited by examiner

Primary Examiner — Jae Liang

(74) *Attorney, Agent, or Firm* — KA Filing LLC; Wayne V. Harper

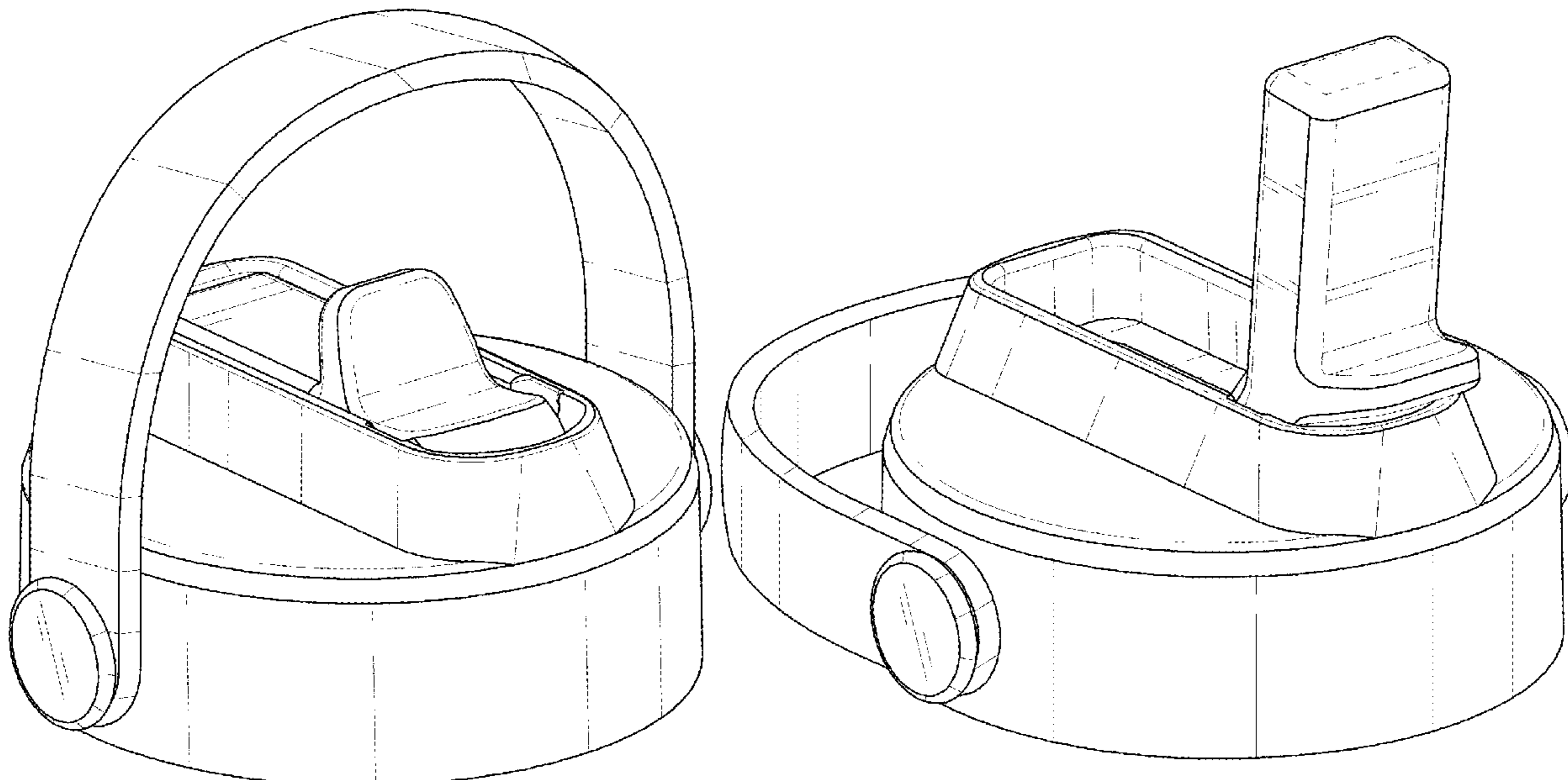
(57) **CLAIM**

I claim the ornamental design for a water bottle straw lid, as shown and described.

DESCRIPTION

FIG. 1 is a Perspective view of a water bottle straw lid showing my new design;
 FIG. 2 is a perspective view thereof with the straw and handle in an alternative position;
 FIG. 3 is a Left-side view thereof;
 FIG. 4 is a Right-side view thereof;
 FIG. 5 is a Top view thereof;
 FIG. 6 is a Bottom view thereof;
 FIG. 7 is a Back view thereof; and,
 FIG. 8 is a Front view thereof.
 The broken lines are only for environmental purposes and form no part of the claimed design.

1 Claim, 8 Drawing Sheets



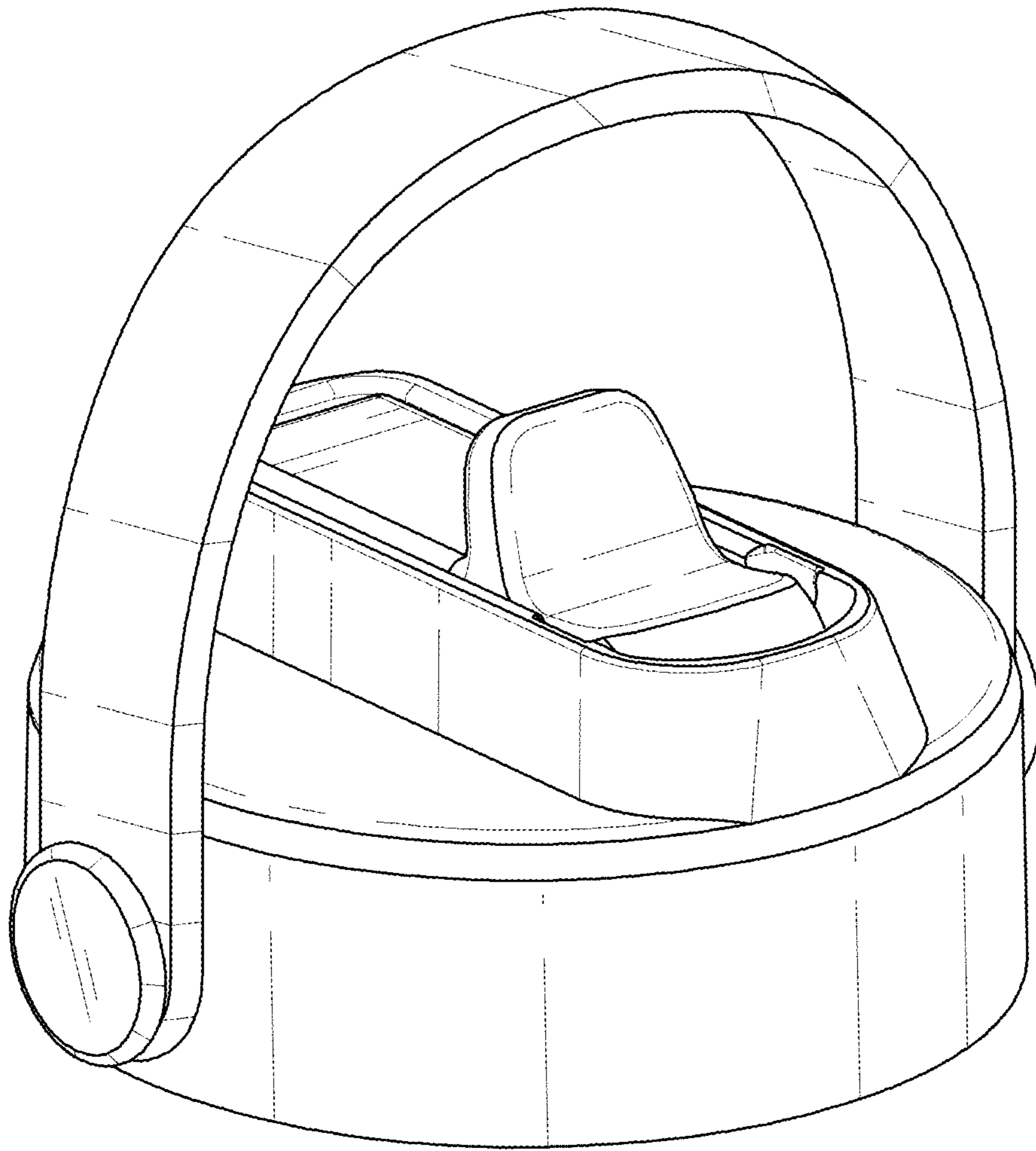


FIG. 1

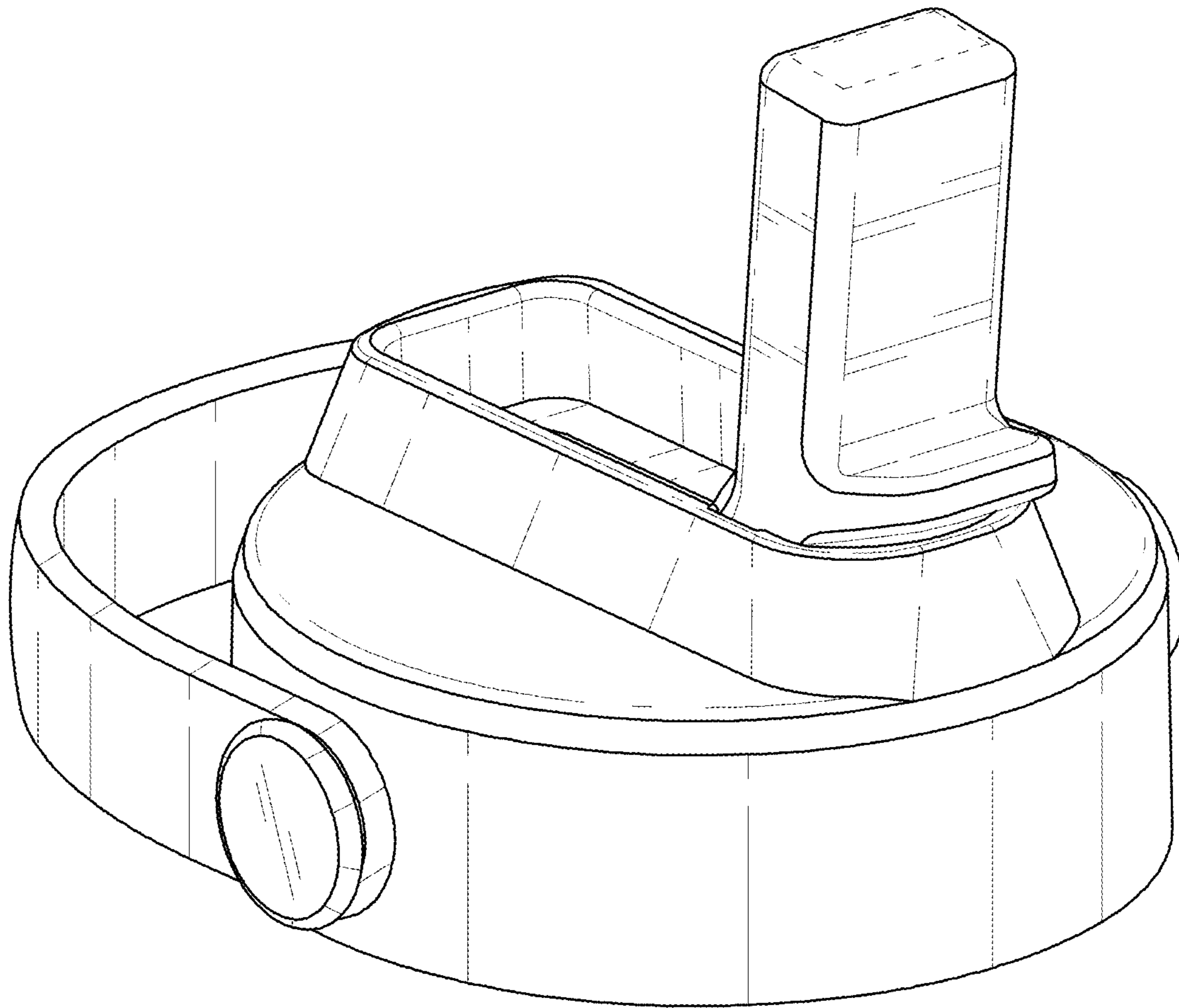


FIG. 2

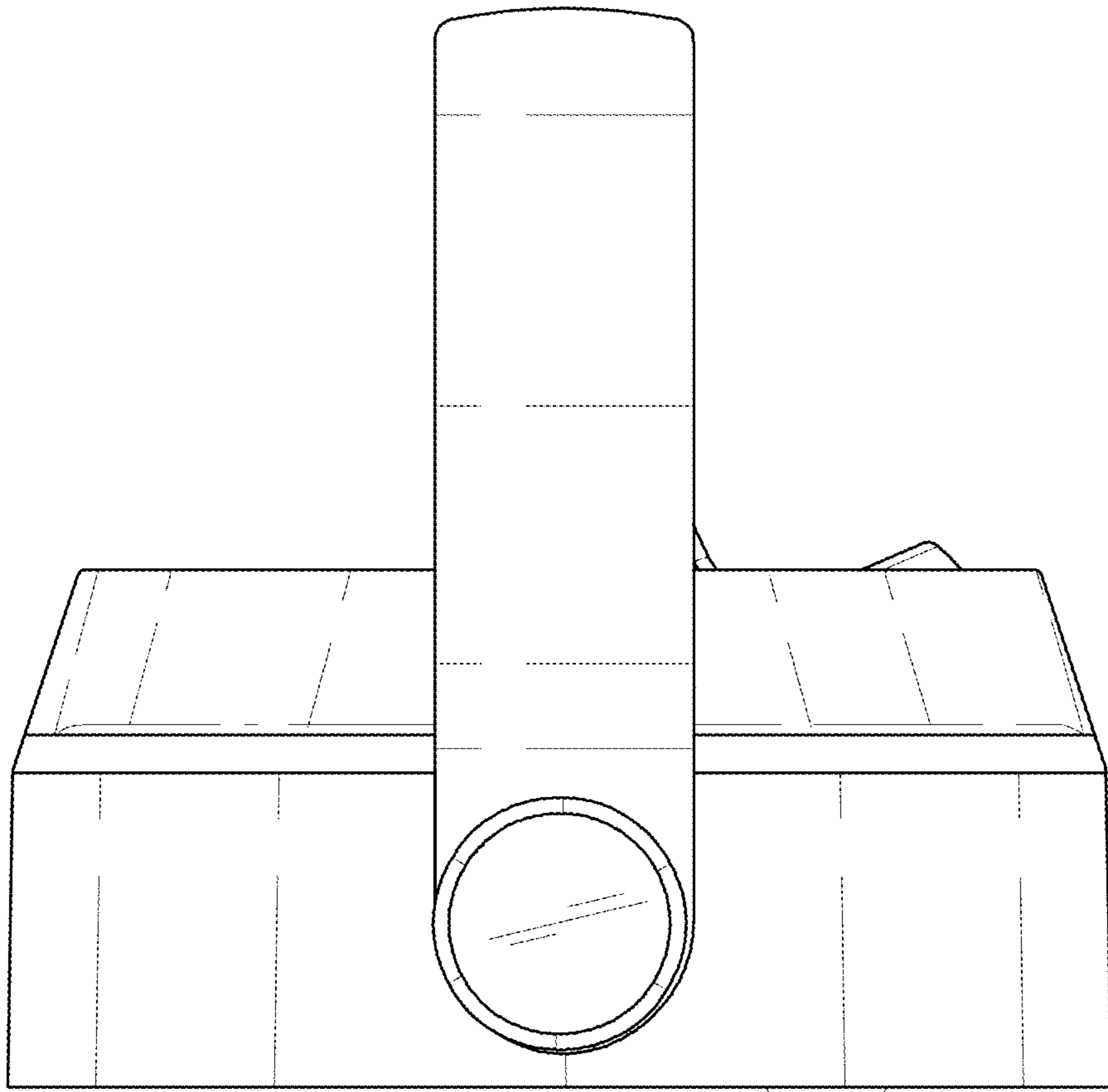


FIG. 3

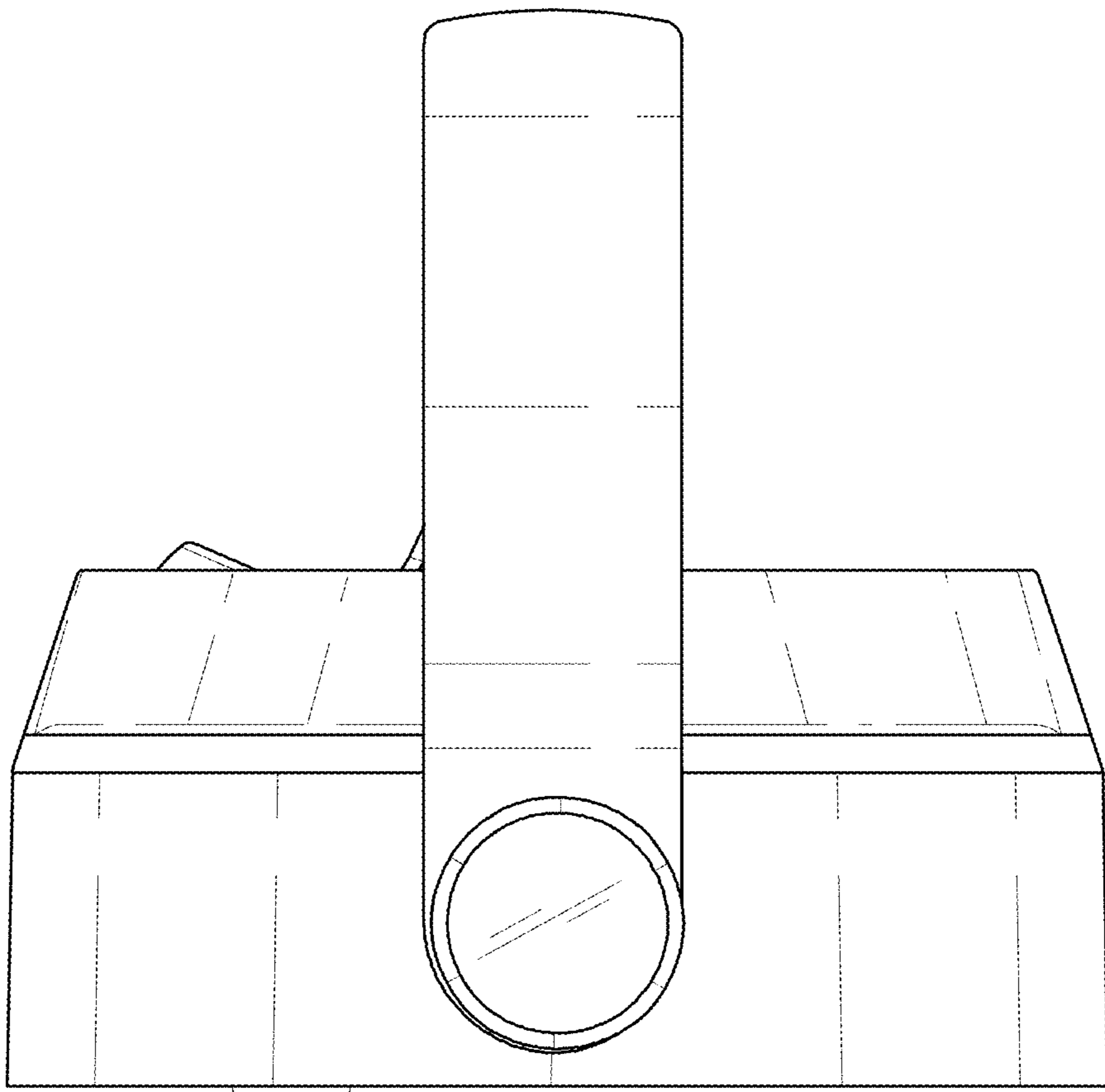


FIG. 4

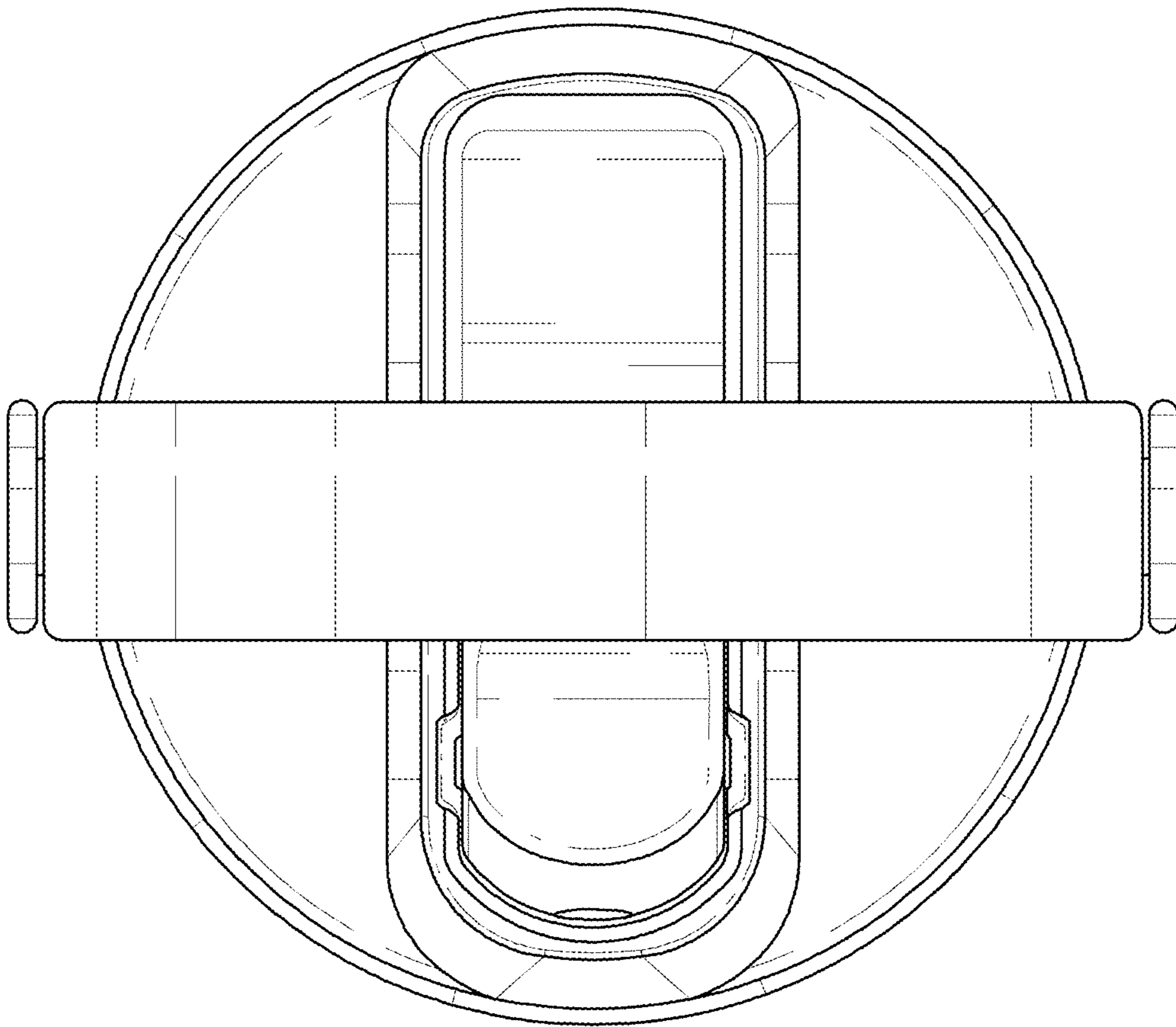


FIG. 5

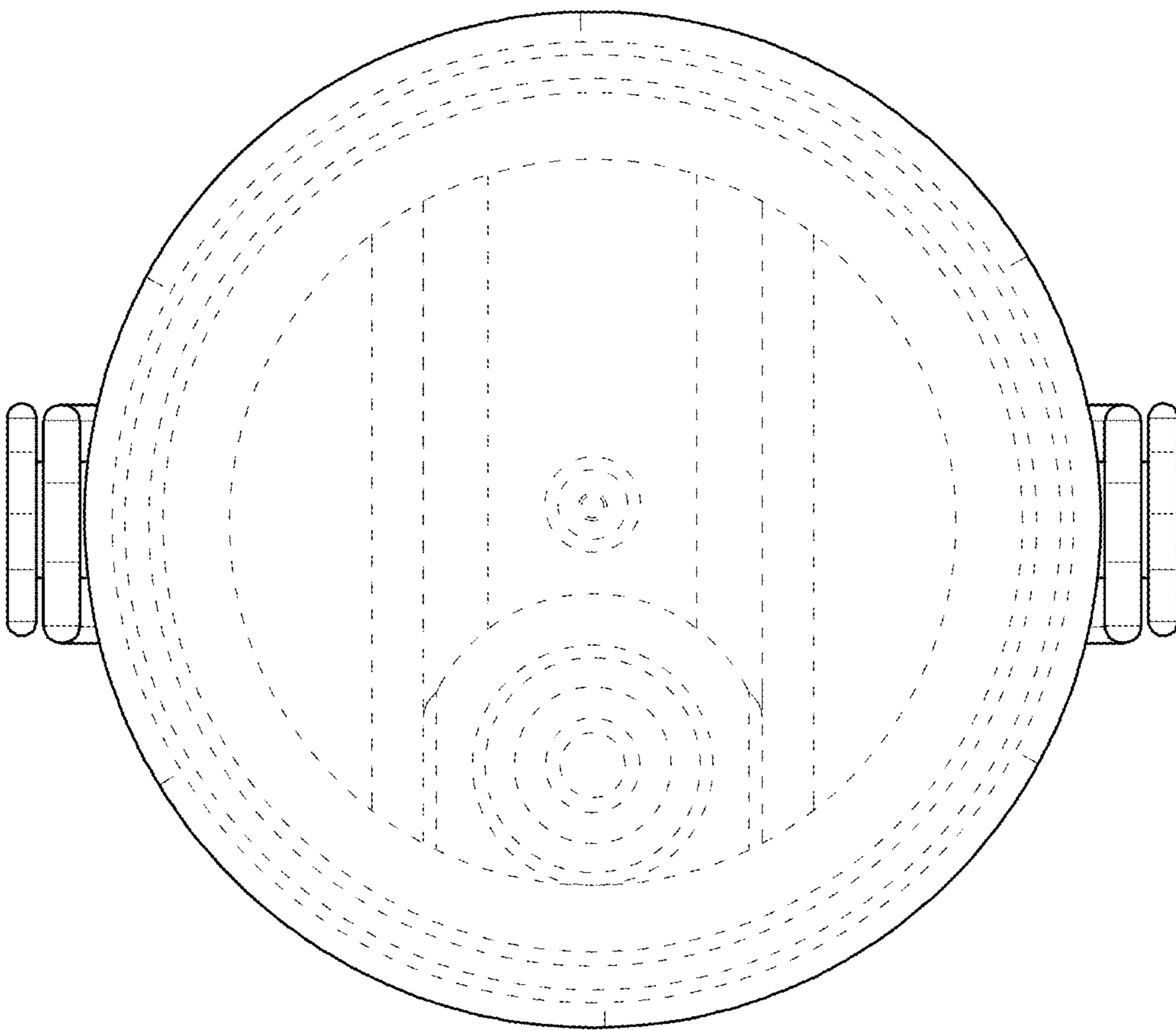


FIG. 6

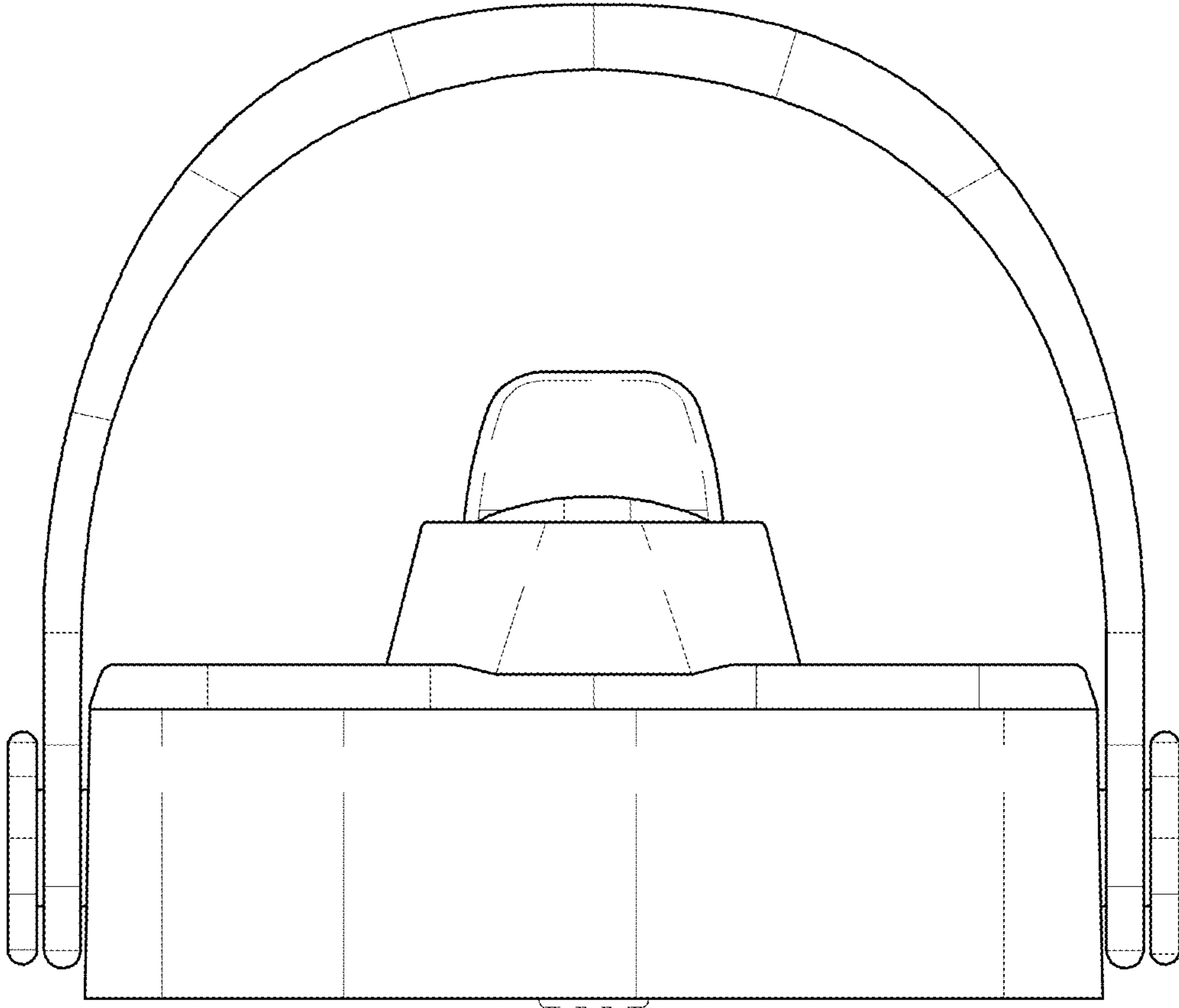


FIG. 7

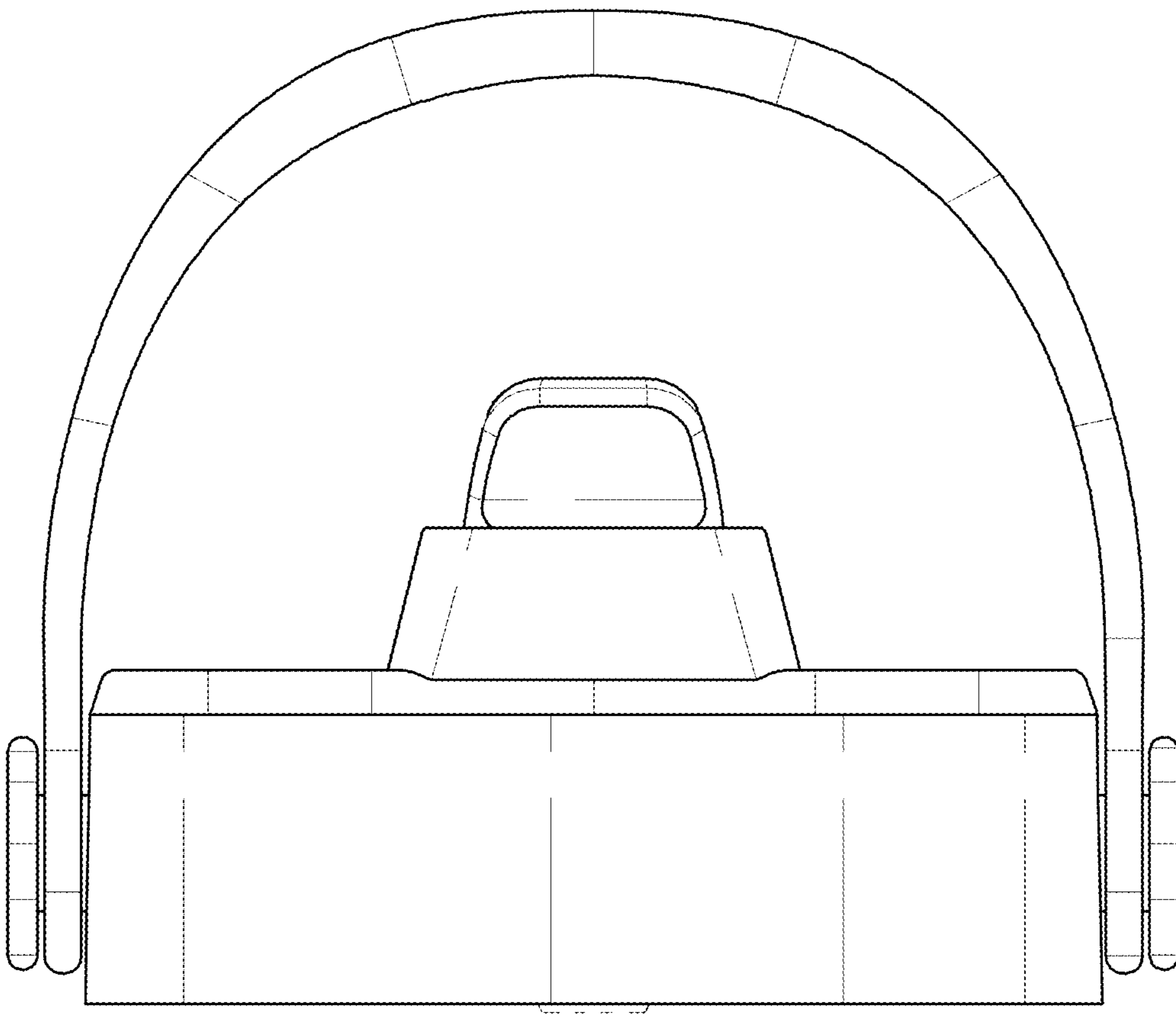


FIG. 8