



US00D887774S

(12) **United States Design Patent**
Matauch

(10) **Patent No.:** **US D887,774 S**
(45) **Date of Patent:** **** Jun. 23, 2020**

(54) **BEVERAGE CAP**

(71) Applicant: **Flowdesign, Inc.**, Northville, MI (US)

(72) Inventor: **Daniel Matauch**, Northville, MI (US)

(73) Assignee: **Flowdesign, Inc.**, Northville, MI (US)

(**) Term: **15 Years**

(21) Appl. No.: **29/672,404**

(22) Filed: **Dec. 5, 2018**

(51) **LOC (12) Cl.** **07-01**

(52) **U.S. Cl.**

USPC **D7/392.1**; D9/447

(58) **Field of Classification Search**

USPC D7/391, 392, 392.1, 397, 510, 511, 542,
D7/543, 602, 605, 629; D9/435, 443,
D9/447, 449, 454

CPC B65D 41/0414; B65D 47/06

See application file for complete search history.

(56) **References Cited**

U.S. PATENT DOCUMENTS

D277,937 S *	3/1985	Fortuna	D9/447
D286,028 S *	10/1986	DiFede	D9/435
D346,718 S *	5/1994	Timmermans	D7/392.1
D433,275 S *	11/2000	Betras	D7/392.1
D624,982 S *	10/2010	Perusa	D21/789
D644,062 S *	8/2011	Lorenz	D7/396.2
D701,764 S *	4/2014	Brower	D9/447
D723,917 S *	3/2015	Koffel	D9/447
D828,085 S *	9/2018	Baron	D7/392.1
D867,058 S *	11/2019	Spivey	D7/392.1
2008/0197099 A1 *	8/2008	Pawlick	B65D 47/0838 215/14
2017/0333893 A1 *	11/2017	Ziegler	B65D 43/0225
2018/0317684 A1 *	11/2018	Hung	B65D 25/16

OTHER PUBLICATIONS

“Cocktails with American Born Moonshine”. Found online Feb. 19, 2020 at sushiatx.blogspot.com. Reference dated Jul. 11, 2016. Retrieved from sushiablogspot.com/2016/07/cocktails-with-american-born-moonshine.html.*

“Generic: Liquor Spirit Pourer”. Found online Feb. 19, 2020 at amazon.co.uk. Reference dated Apr. 24, 2013. Retrieved from https://www.amazon.co.uk/...urer-Stopper/dp/B00V031LPY/ref=sr_1_5?crd=2C9F39NVR75CY&keywords=liquor+pourer&qid=1582152717&sprefix=liquor+po%2Caps%2C212&sr=8-5.*

“GreenPaxx Universal Cup Lid”. Found online Nov. 10, 2015 at amazon.com. Reference dated Feb. 18, 2013. Retrieved from http://www.amazon.com/GreenPaxx-Universal-fits-many-glasses/dp/B0084GF5P2/ref=cm_cr_pr_product_top?ie=UTF8.*

“Tervis Tumbler Straw Lid”. Found online Mar. 16, 2017 at amazon.com. Reference dated Apr. 9, 2014. Retrieved from https://www.amazon.com/Tervis-Tumbler-Gray-Straw-24oz/dp/B00J7ZQCAQ/ref=sr_1_96?ie=UTF8&qid=1489692115&sr=8-96&keywords=tumbler+lid.*

* cited by examiner

Primary Examiner — Kendra Leslie Hamilton

(74) *Attorney, Agent, or Firm* — Young Basile Hanlon & MacFarlane, P.C.

(57) **CLAIM**

The ornamental design for a beverage cap, as shown and described.

DESCRIPTION

FIG. 1 is a top-left perspective view of a beverage cap, showing my new design;

FIG. 2 is a top plan view thereof;

FIG. 3 is a bottom plan view thereof;

FIG. 4 is a left side elevation view thereof;

FIG. 5 is a right side sectional elevation view taken from the midpoint of the beverage cap of FIG. 2;

FIG. 6 is a top-right sectional perspective view thereof;

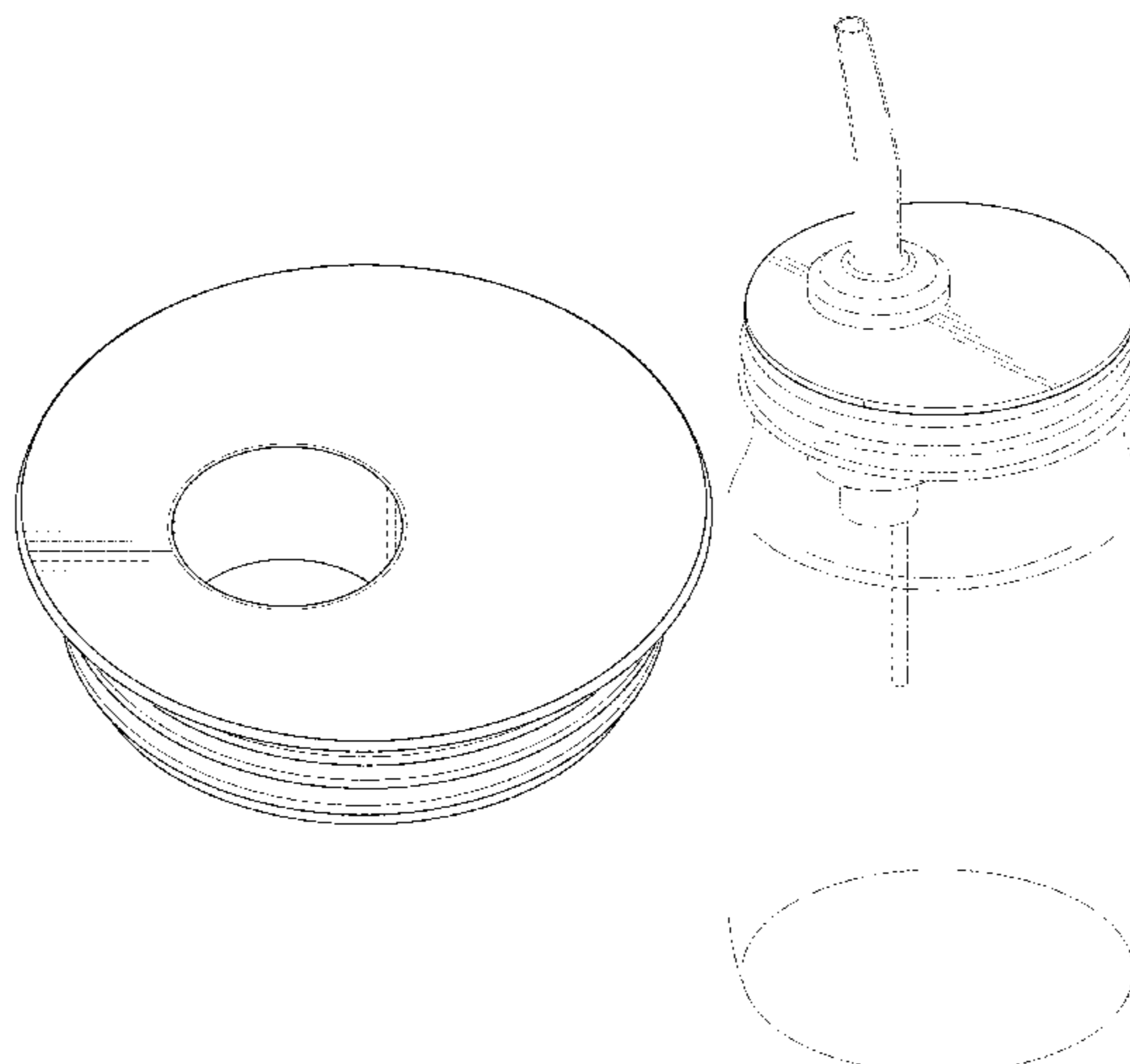
FIG. 7 is a bottom-left perspective view of the beverage cap of FIG. 1;

FIG. 8 is a top-left perspective view of the beverage cap of FIG. 1, shown in a first condition of use; and,

FIG. 9 is a top-left perspective view of the beverage cap of FIG. 1, shown in a second condition of use.

The broken lines in FIGS. 8 and 9 depict environmental subject matter that forms no part of the claimed design.

1 Claim, 6 Drawing Sheets



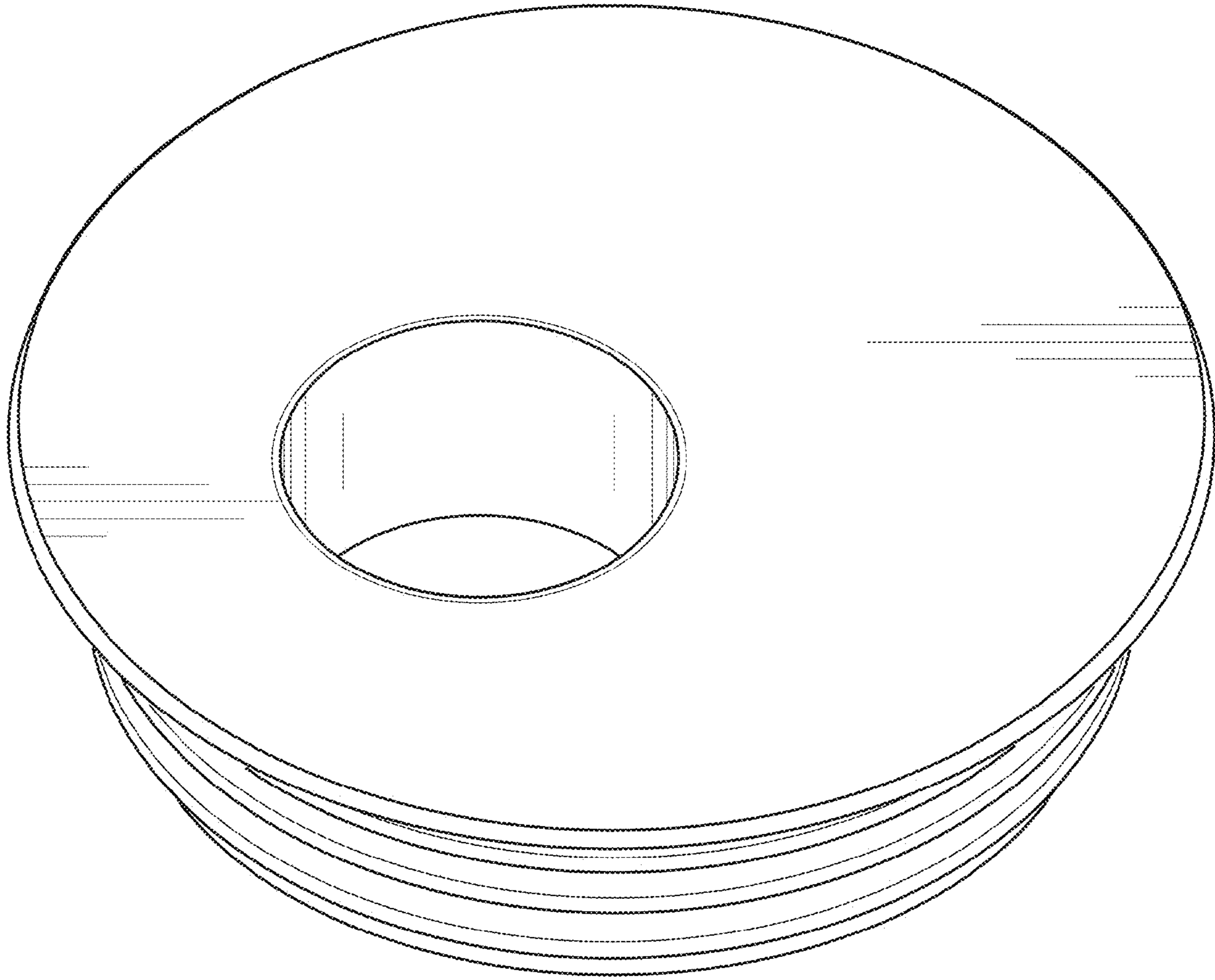


FIG. 1

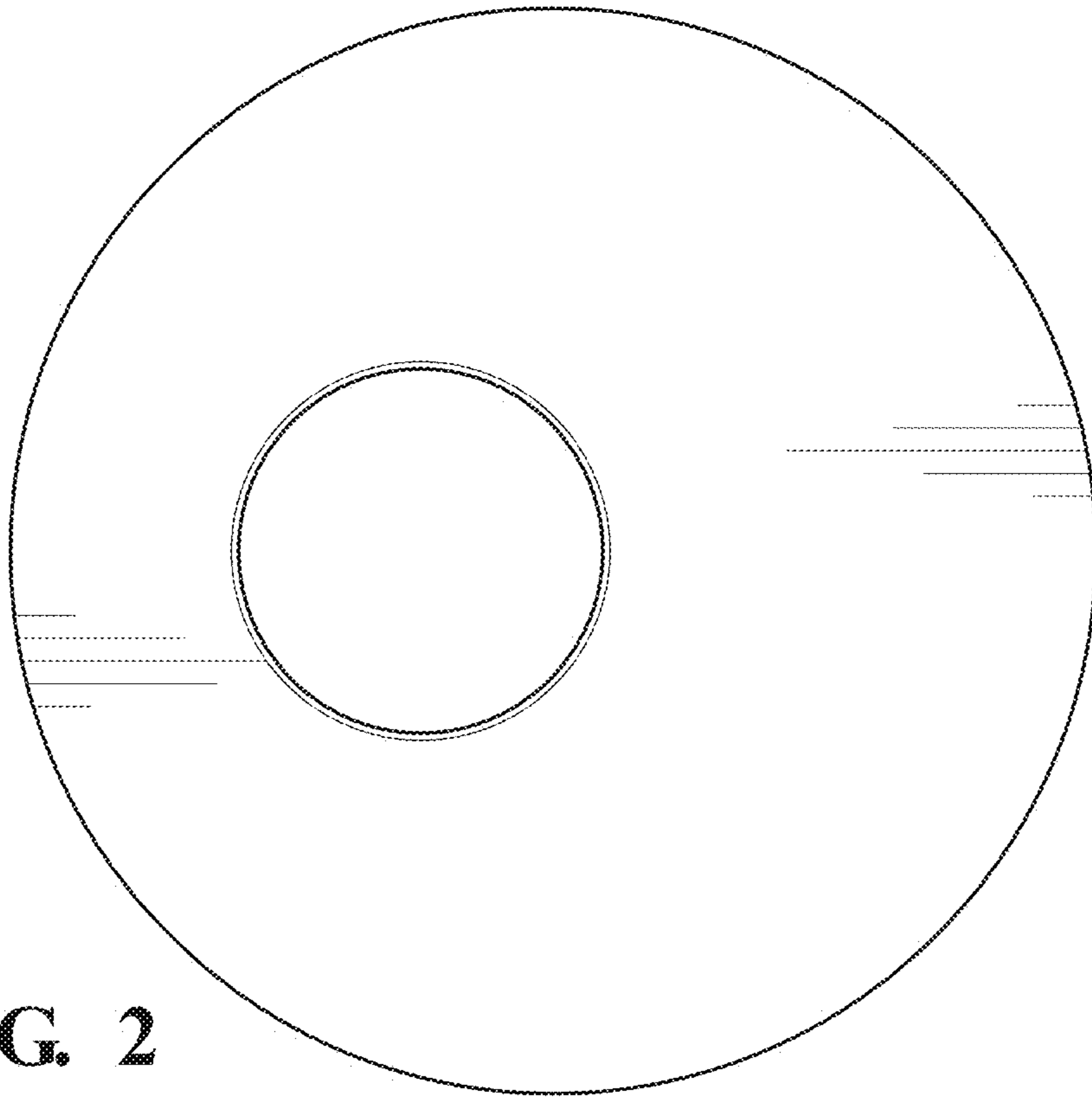


FIG. 2

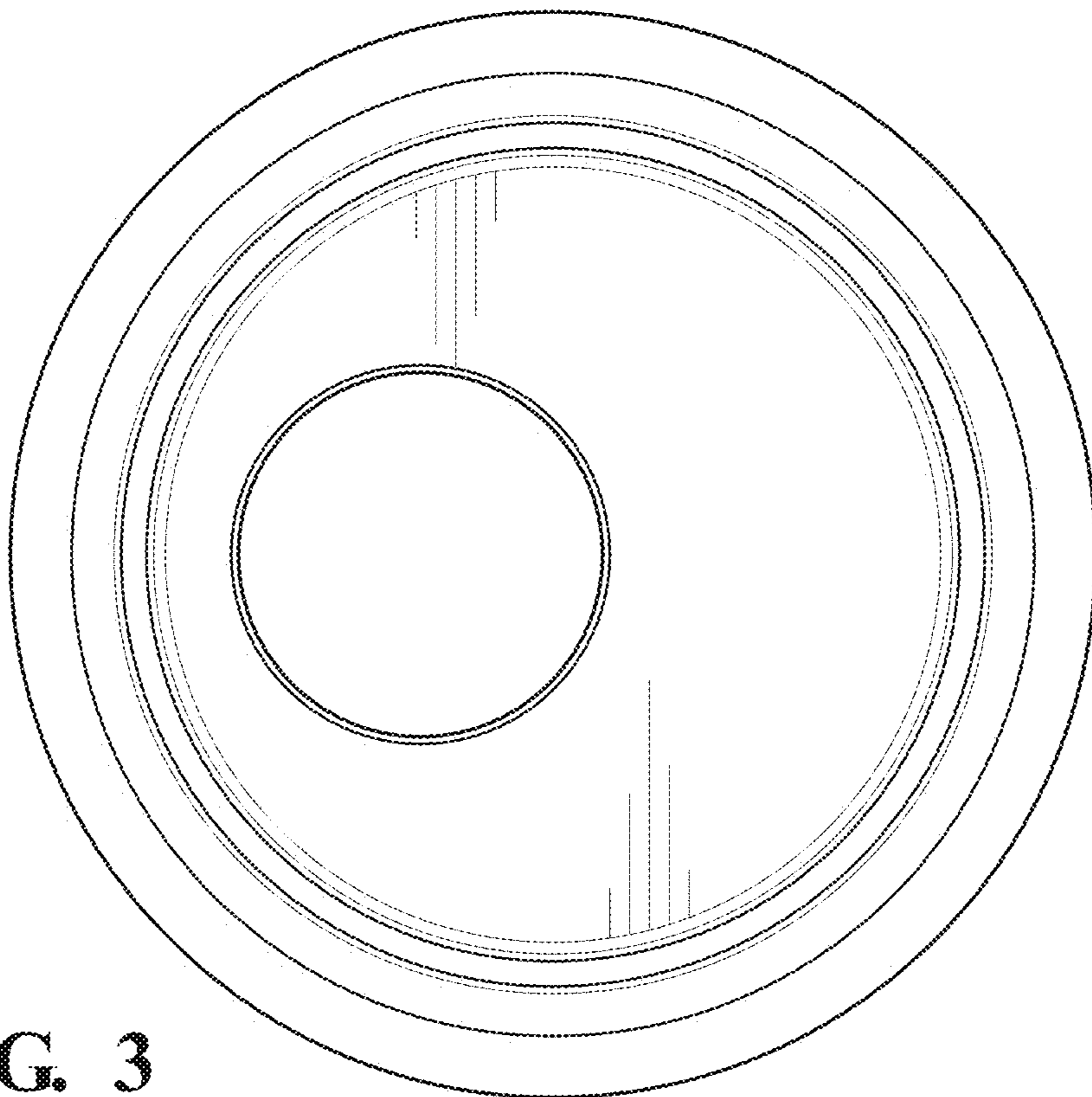


FIG. 3

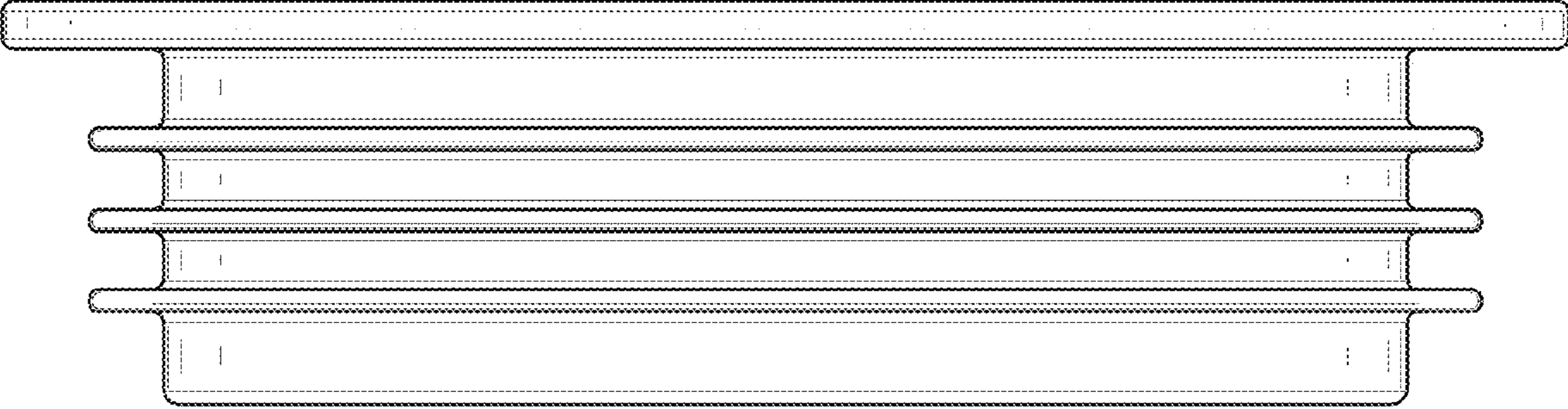


FIG. 4

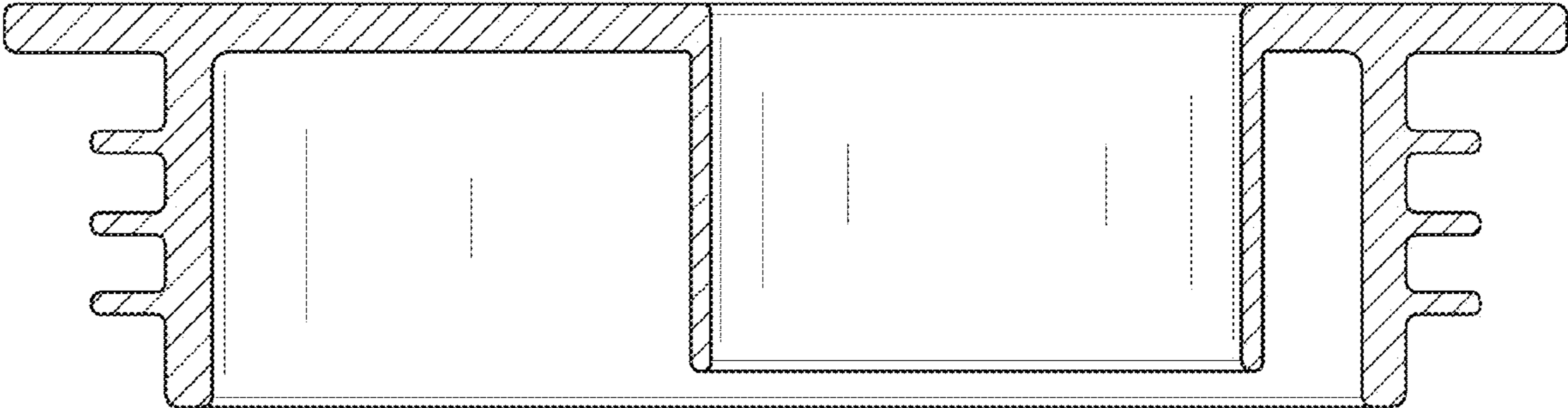


FIG. 5

FIG. 6

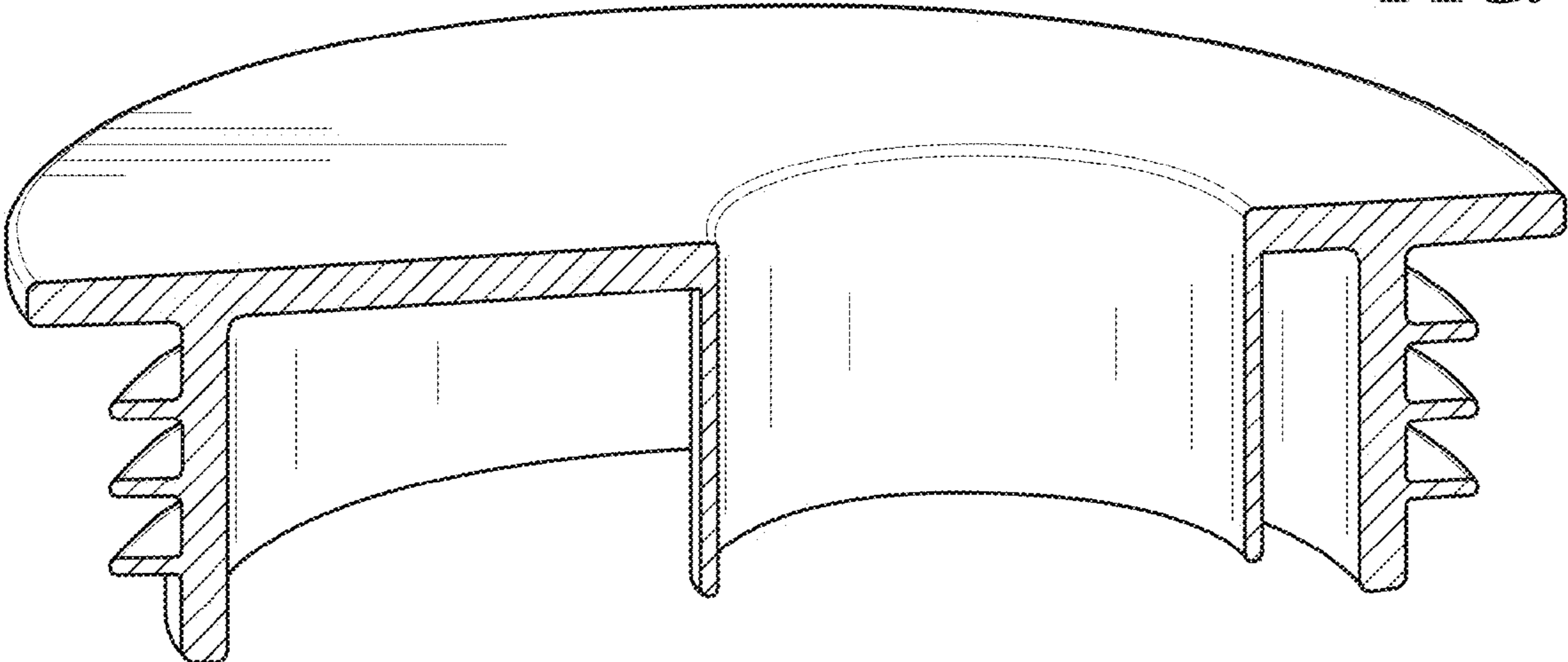
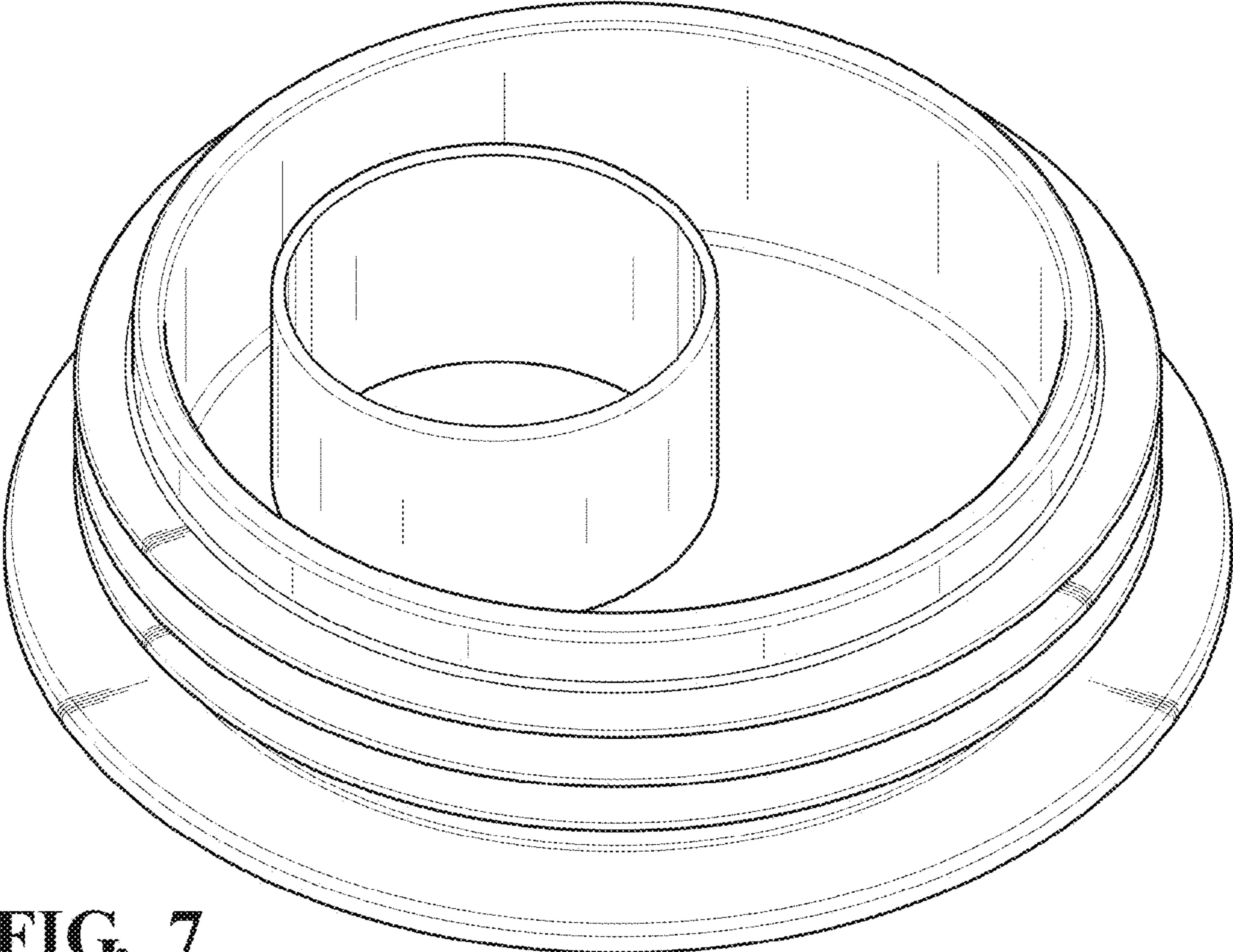


FIG. 7



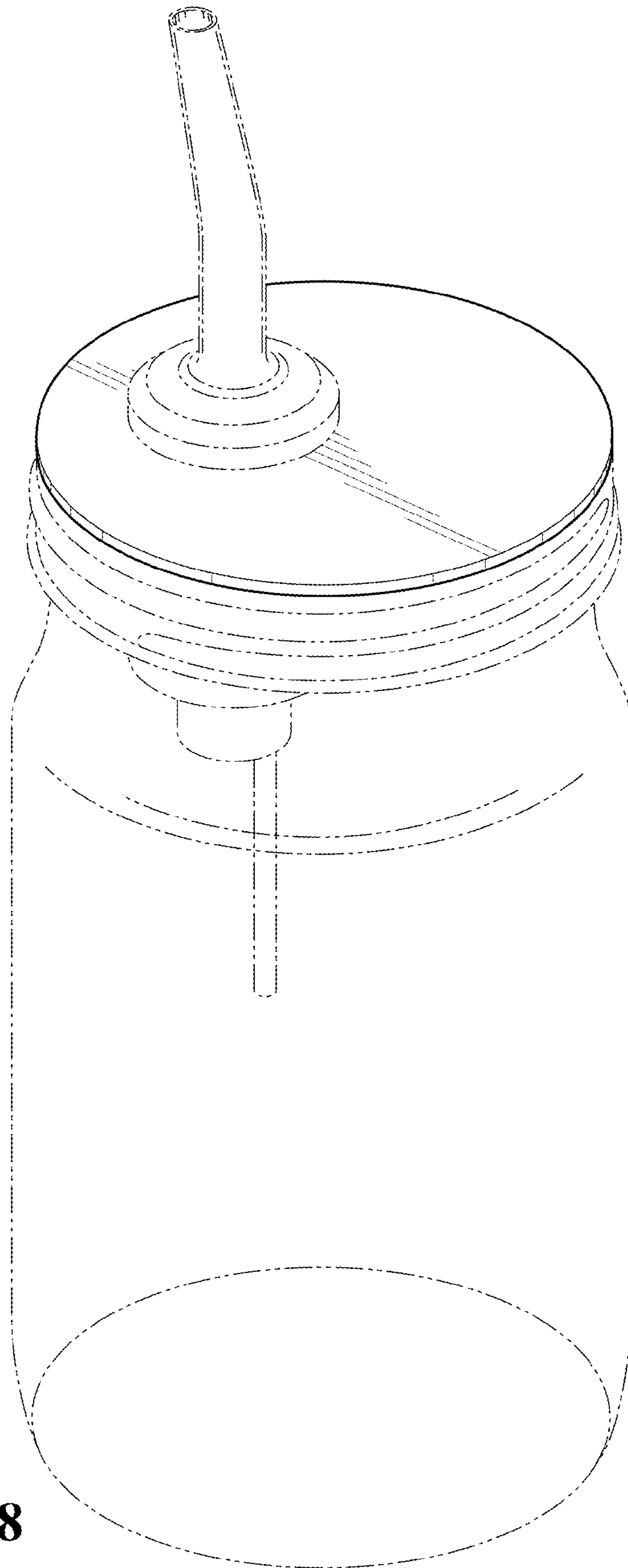


FIG. 8

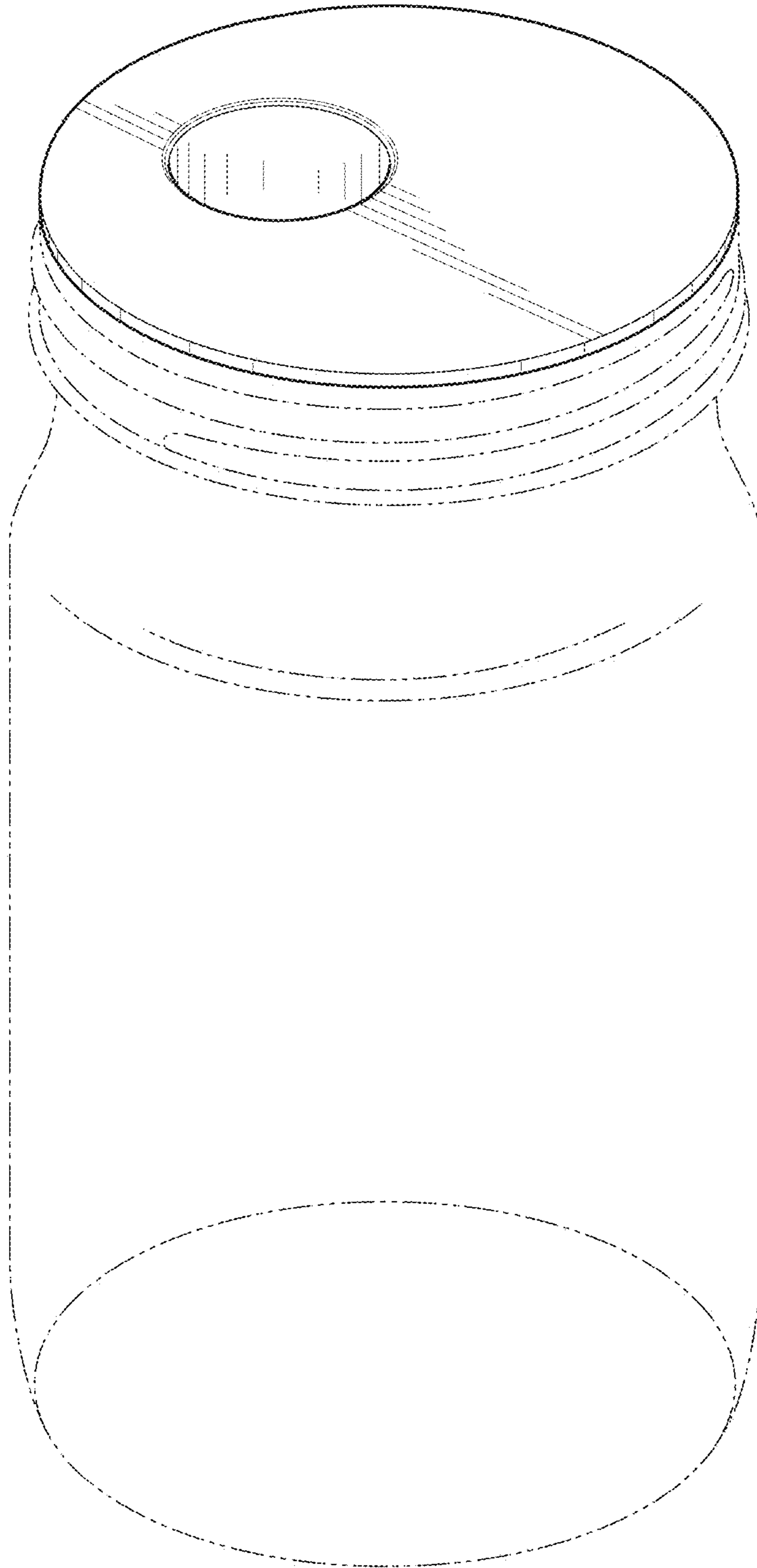


FIG. 9