



US00D887771S

(12) **United States Design Patent**
Washburn

(10) **Patent No.:** **US D887,771 S**
(45) **Date of Patent:** **** Jun. 23, 2020**

(54) **LID FOR BEVERAGE CONTAINER**
(71) Applicant: **IGNITE USA, LLC**, Chicago, IL (US)
(72) Inventor: **Bryan Washburn**, Chicago, IL (US)
(73) Assignee: **IGNITE USA, LLC**, Chicago, IL (US)
(**) Term: **15 Years**

D699,509 S * 2/2014 El-Saden D7/392.1
8,727,176 B2 * 5/2014 El-Saden A47G 19/2272
220/715
D713,672 S * 9/2014 Ho D7/392.1
D750,426 S * 3/2016 Bann D7/392
D812,432 S * 3/2018 Seiders D7/533
D822,429 S * 7/2018 Washburn D7/396.2
D849,481 S * 5/2019 Washburn D7/510
D851,460 S * 6/2019 Merten A47G 19/2205
D7/533

(21) Appl. No.: **29/634,956**
(22) Filed: **Jan. 25, 2018**
(51) **LOC (12) Cl.** **07-99**
(52) **U.S. Cl.**
USPC **D7/392.1; D7/392**
(58) **Field of Classification Search**
USPC D7/300, 300.2, 301, 392, 392.1, 424,
D7/430, 435, 443, 447, 449, 453, 454,
D7/510, 511, 538, 540, 542, 543, 544,
D7/545, 629, 635, 780; D23/207
CPC A47G 21/18; A61J 7/0038; B65D
2517/0049
See application file for complete search history.

* cited by examiner

Primary Examiner — Karen S Acker
Assistant Examiner — Steven B Reinholdt, Jr.
(74) *Attorney, Agent, or Firm* — Marshall, Gerstein &
Borun LLP

(57) **CLAIM**

The ornamental design for a lid for beverage container, as shown and described.

DESCRIPTION

FIG. 1 is a top perspective view of a lid for beverage container showing the new design;
FIG. 2 is a left view thereof;
FIG. 3 is a right view thereof;
FIG. 4 is a front view thereof;
FIG. 5 is a rear view thereof;
FIG. 6 is a top view thereof; and,
FIG. 7 is a bottom view thereof.

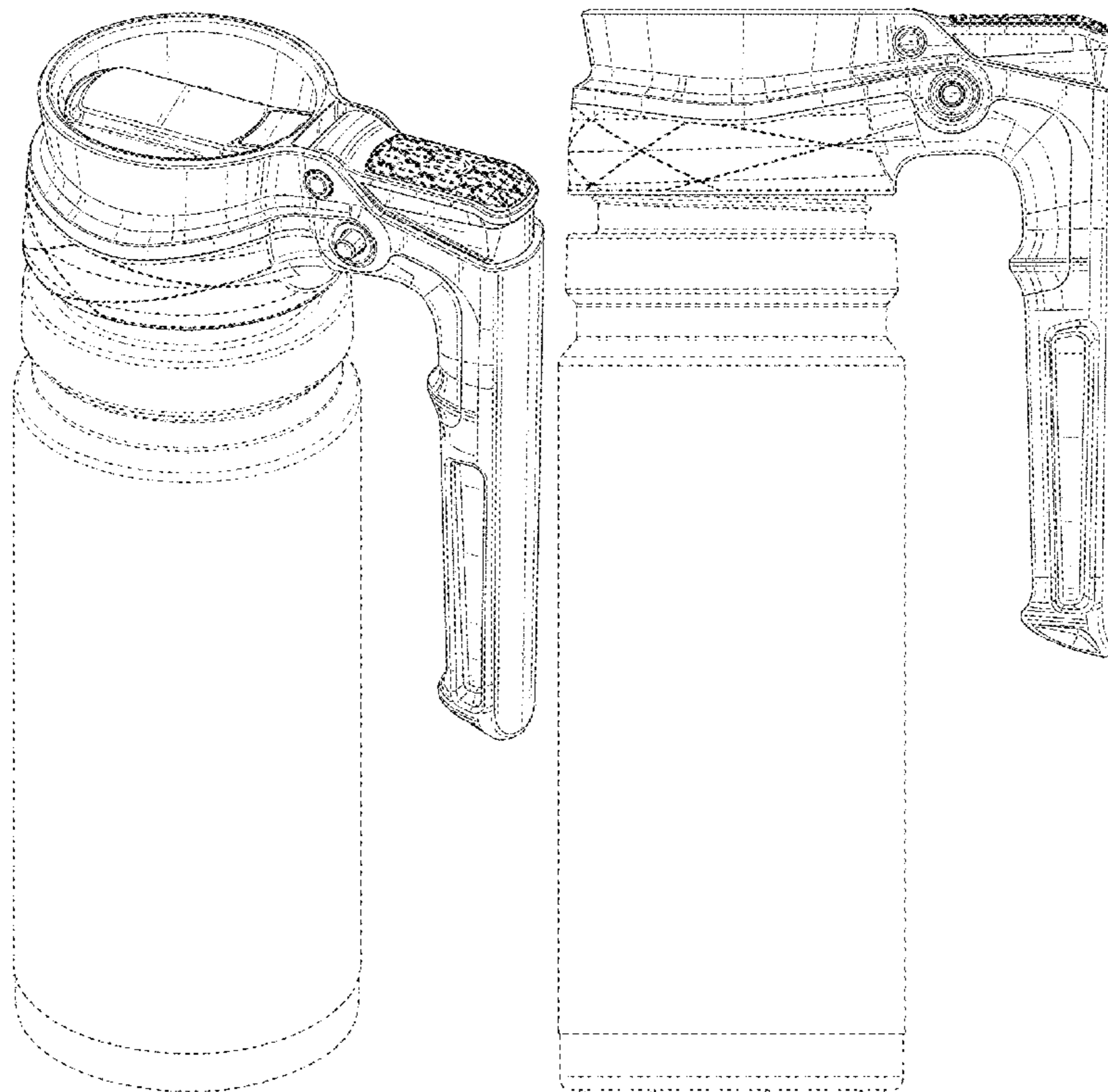
The broken lines and the areas within adjacent to shaded surfaces in the drawings depict portions of the lid for beverage container that form no part of the claimed design.

1 Claim, 7 Drawing Sheets

(56) **References Cited**

U.S. PATENT DOCUMENTS

D203,211 S * 12/1965 Brocken D7/392
D247,211 S * 2/1978 Young D7/392
D338,367 S * 8/1993 Fonville D7/316
D428,769 S * 8/2000 Mensch D7/510
D562,623 S * 2/2008 Nybakke D7/387
D620,747 S * 8/2010 Taketani D7/392.1



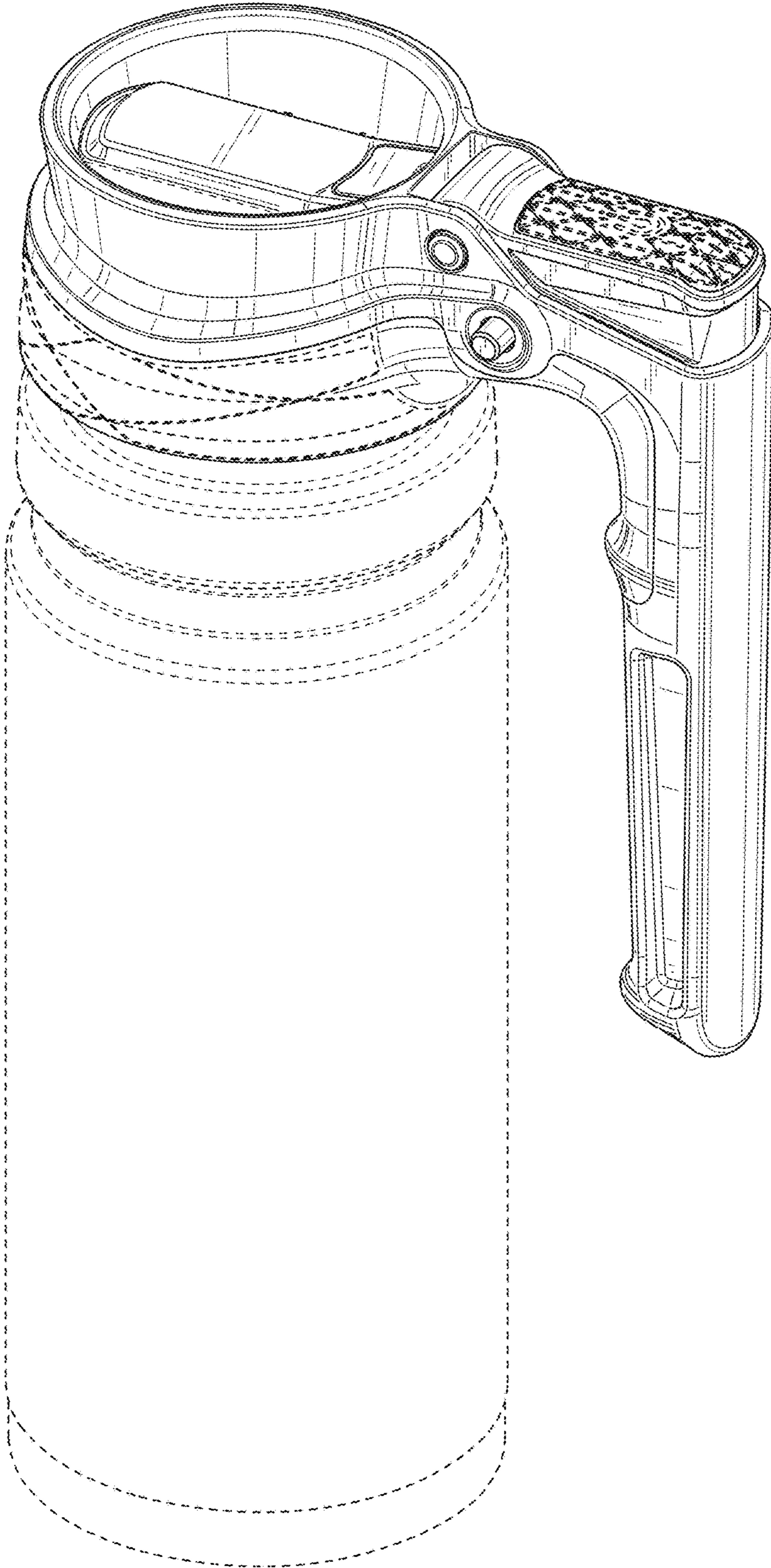


FIG. 1

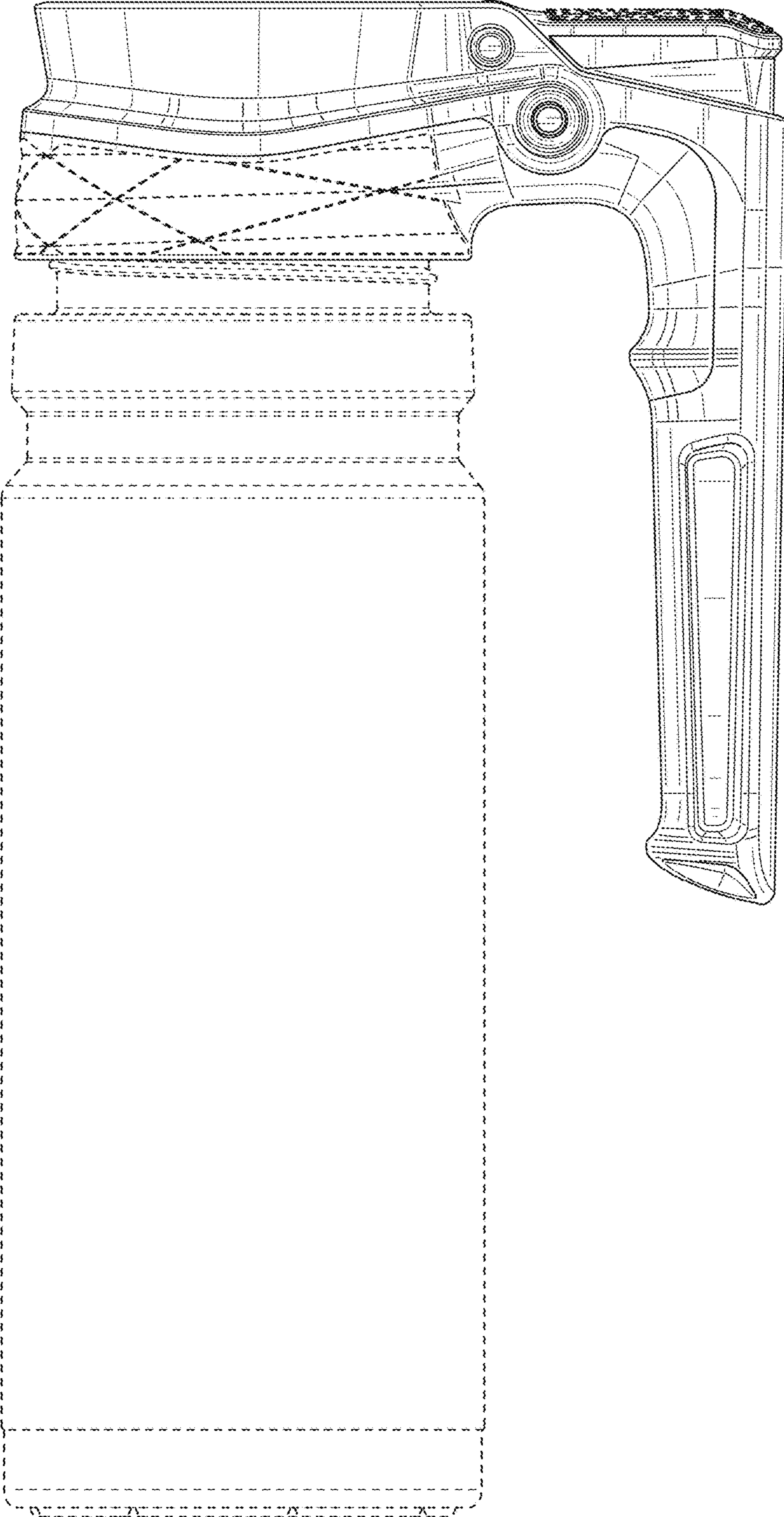


FIG. 2

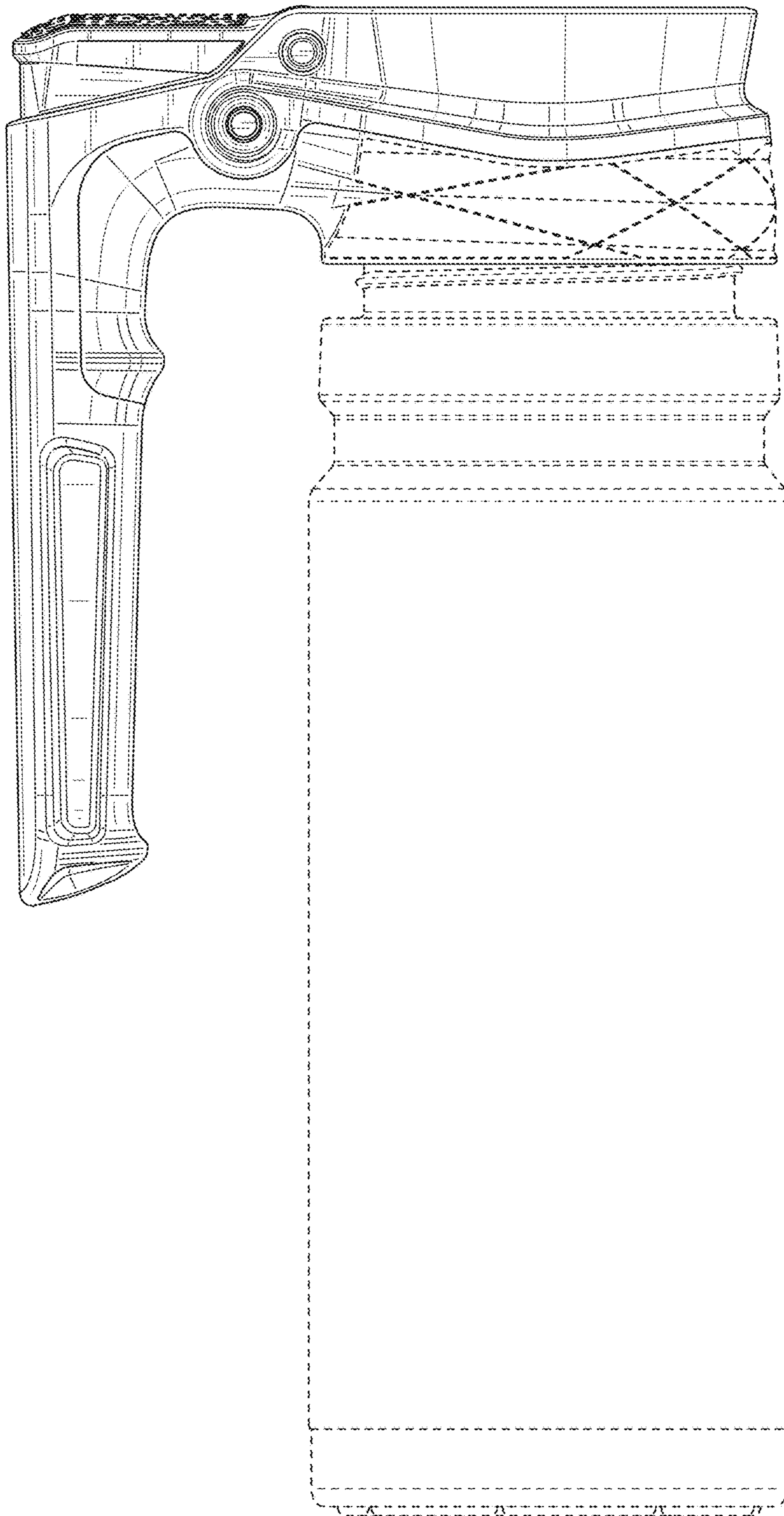


FIG. 3

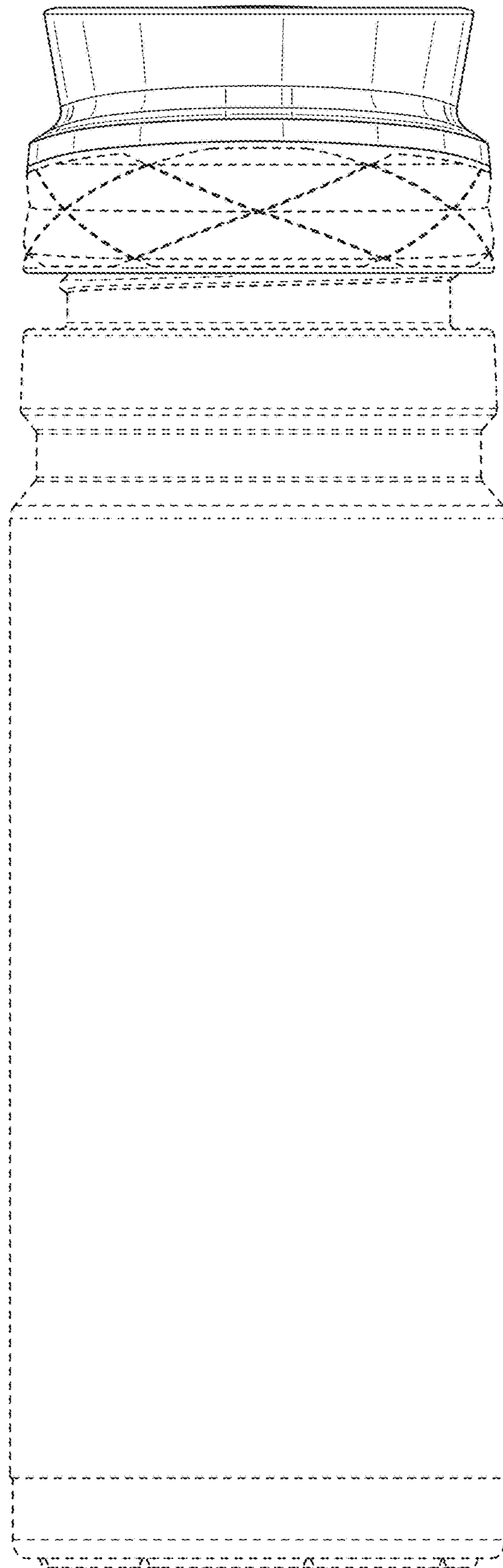


FIG. 4

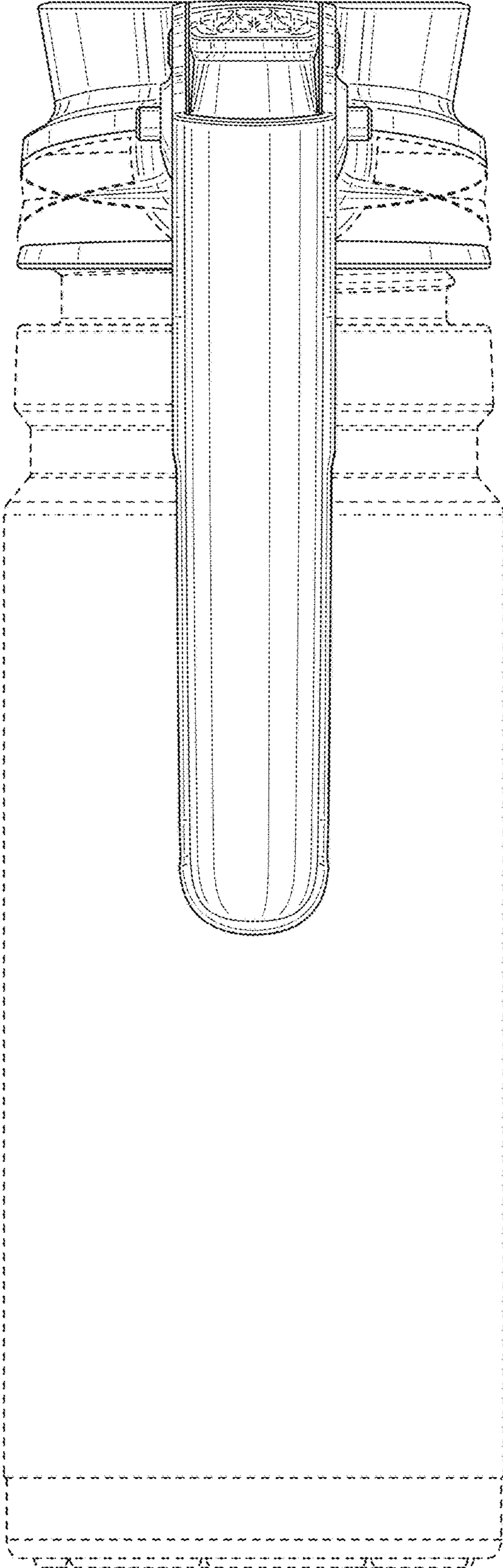


FIG. 5

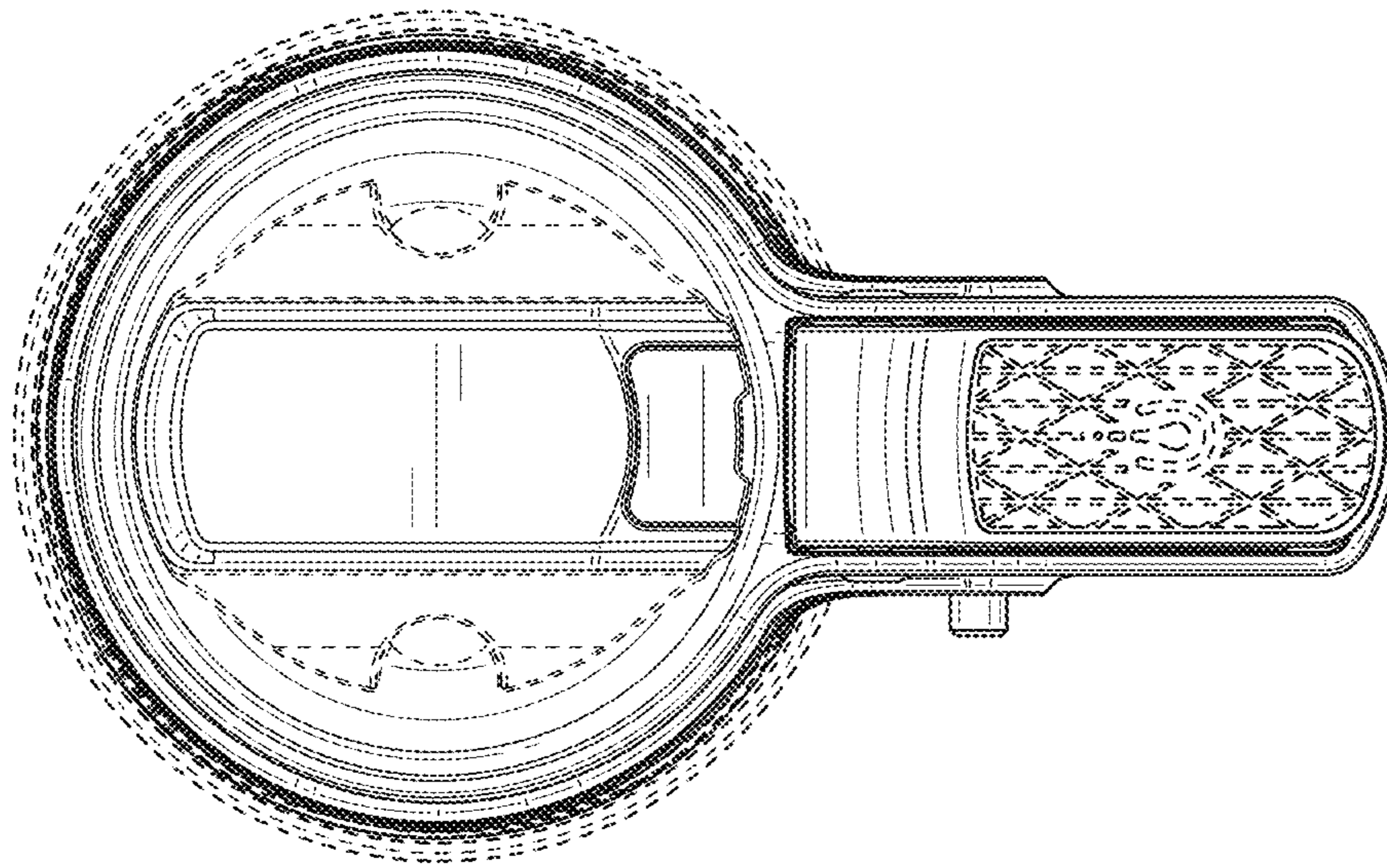


FIG. 6

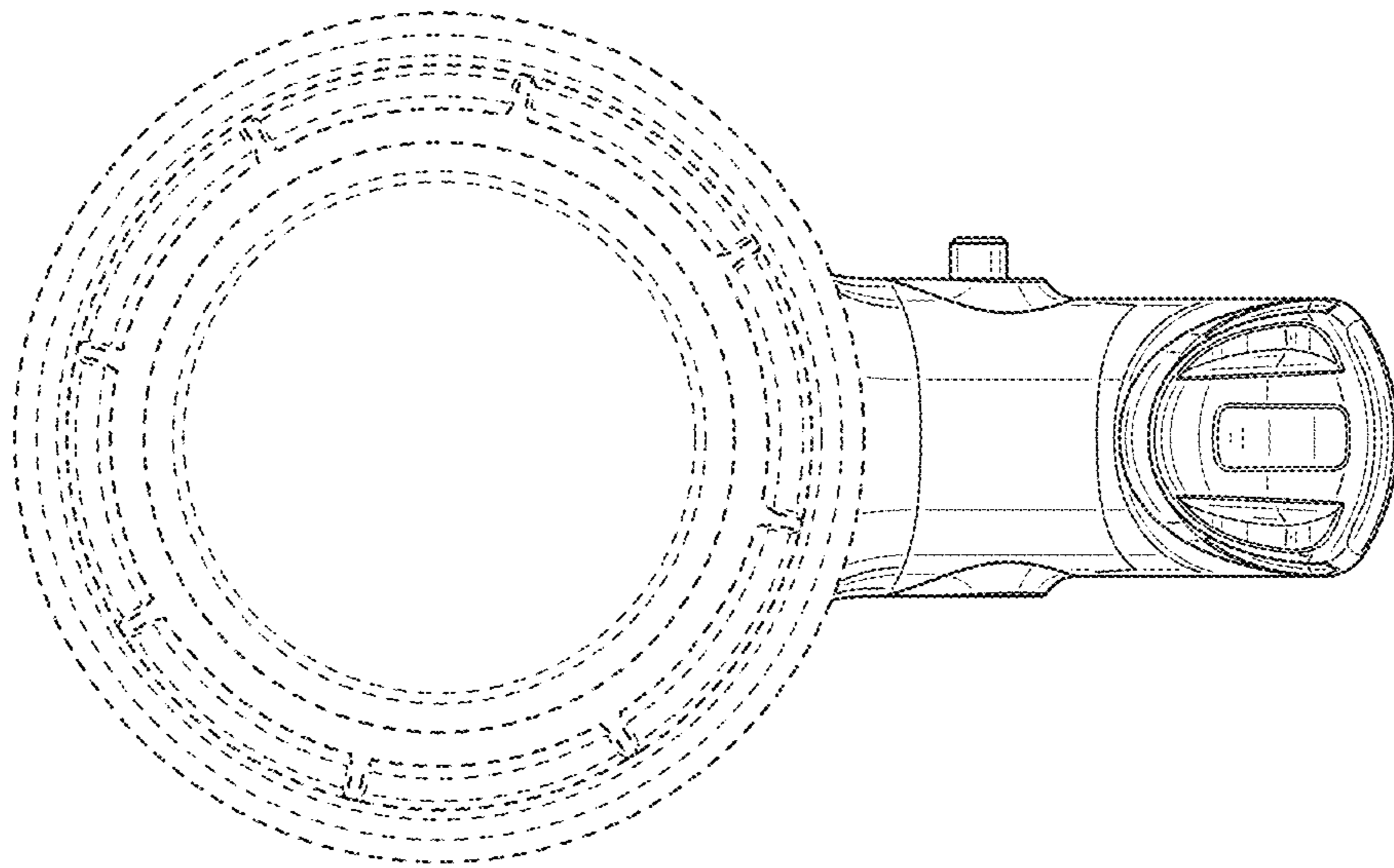


FIG. 7