



US00D887770S

(12) **United States Design Patent**  
**Alonso**

(10) **Patent No.:** **US D887,770 S**  
(45) **Date of Patent:** **\*\* Jun. 23, 2020**

- (54) **LID TO POT SECURE DEVICE**
- (71) Applicant: **Mario F. Alonso**, Santa, CA (US)
- (72) Inventor: **Mario F. Alonso**, Santa, CA (US)
- (\*\*) Term: **15 Years**
- (21) Appl. No.: **29/608,130**
- (22) Filed: **Jun. 19, 2017**
- (51) **LOC (12) Cl.** ..... **07-02**
- (52) **U.S. Cl.**  
USPC ..... **D7/391; D7/354**
- (58) **Field of Classification Search**  
USPC ..... D3/276; D7/323, 354–363, 391,  
D7/393–396, 409, 601, 607  
CPC .... A45C 7/0059; A45C 7/0077; A47G 19/12;  
A47J 27/00; A47J 27/002; A47J 27/08;  
A47J 27/21; A47J 27/58; A47J 36/025;  
A47J 36/06; A47J 36/12; A47J 37/00;  
A47J 37/10; A47J 37/101; A47J 37/103;  
A47J 37/12; A47J 37/1204; A47J 45/061;  
A47J 45/071; A47J 45/08; B65D 45/28;  
B65F 1/1615; H05B 6/12  
See application file for complete search history.

7,153,025 B1 \* 12/2006 Jackson ..... A45C 7/0059  
383/2  
D583,629 S \* 12/2008 Sgrillo ..... D7/607  
8,459,487 B2 \* 6/2013 Sharma ..... B65F 1/1615  
220/315  
D708,472 S \* 7/2014 Landers ..... D7/354  
(Continued)

*Primary Examiner* — Ricky Pham

(74) *Attorney, Agent, or Firm* — Sandy Lipkin

(57) **CLAIM**

I claim the ornamental design for a lid to pot secure device, as shown and described.

**DESCRIPTION**

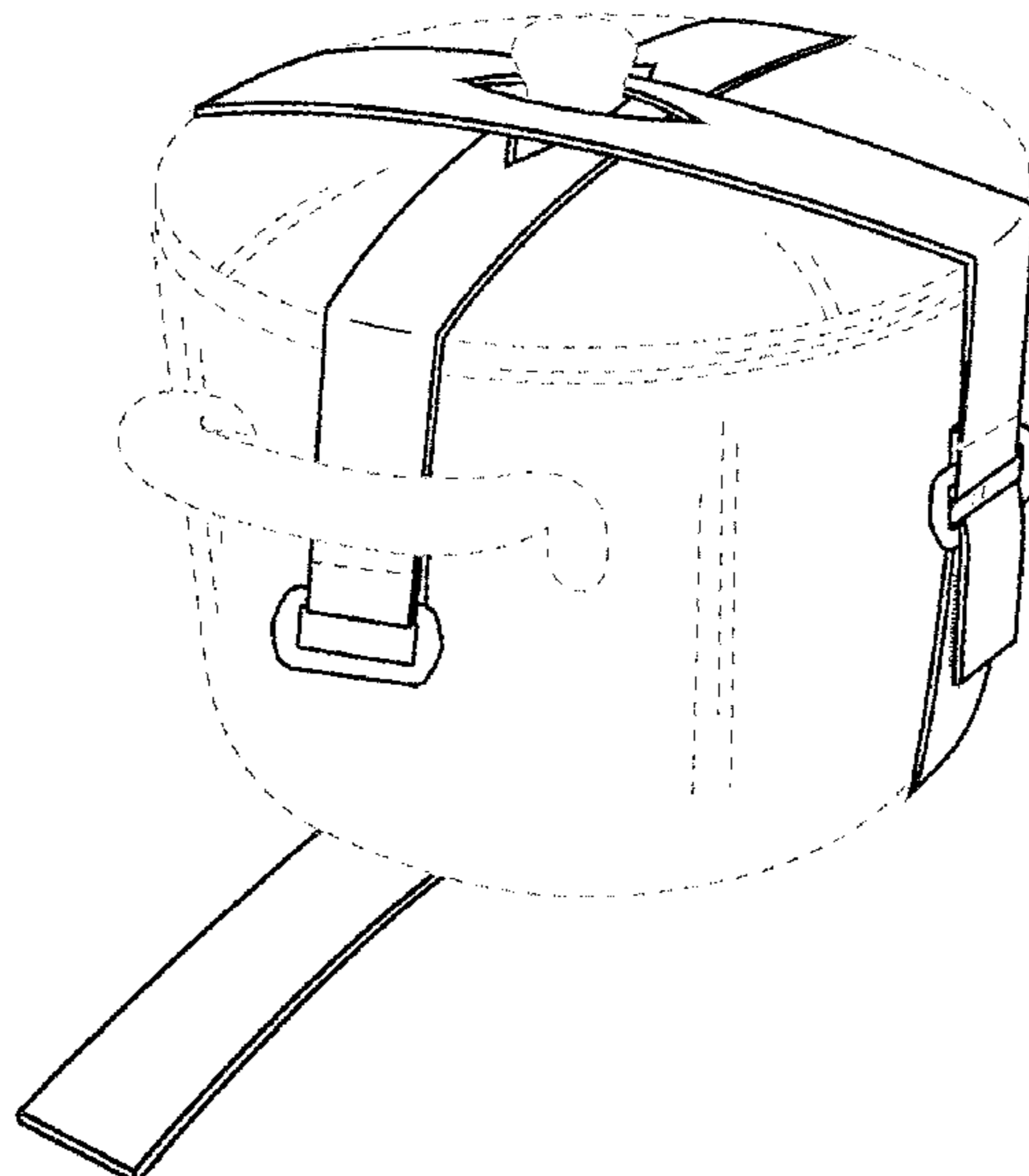
FIG. 1 is a perspective view of a lid to pot secure device showing my design.  
 FIG. 2 is a top perspective view thereof;  
 FIG. 3 is a top plan view thereof;  
 FIG. 4 is a bottom perspective view thereof;  
 FIG. 5 is a plan view of an assembled device thereof;  
 FIG. 6 is an enlarged front view of a strap assembly section taken along the line labeled FIG. 6 in FIG. 5;  
 FIG. 7 is an enlarged rear view of a strap assembly section taken along the line labeled FIG. 7 in FIG. 5;  
 FIG. 8 is a front view of a strap securing section for fastening the strap to a pot thereof;  
 FIG. 9 is a side view of a strap securing section for fastening the strap to a pot thereof;  
 FIG. 10 is a side view of the view shown in FIG. 9 showing the buckle member engageable to straps for fastening/attachment together thereof; and,  
 FIG. 11 is a perspective view of the secure strap device as it is fastened to a pot.  
 The broken line disclosure is understood to illustrate portions of a pot in which the claimed design is embodied, but which form no part of the claimed design. Other broken lines inside the design device are stitches as seen in FIGS. 1, 2, 4-6, 8 and 11.

(56) **References Cited**

U.S. PATENT DOCUMENTS

- 2,998,276 A \* 8/1961 Shettler ..... B65D 45/28  
220/315
- 3,528,236 A \* 9/1970 Merrick ..... A47J 37/101  
220/369
- 4,413,851 A \* 11/1983 Ritter ..... B65F 1/1615  
292/259 R
- 4,521,233 A \* 6/1985 Vossen ..... A47J 37/101  
220/212.5
- D449,441 S \* 10/2001 Jackson ..... A47J 36/06  
D3/276
- 7,103,944 B2 \* 9/2006 Johnson ..... A47J 36/06  
220/315

**1 Claim, 6 Drawing Sheets**



(56)

**References Cited**

U.S. PATENT DOCUMENTS

D741,661 S \* 10/2015 Beatty ..... B65D 45/28  
D7/601  
D788,540 S \* 6/2017 Mock ..... A45C 7/0059  
D7/601  
2014/0023295 A1\* 1/2014 Wagner ..... A45C 7/0077  
383/4

\* cited by examiner

FIG. 1

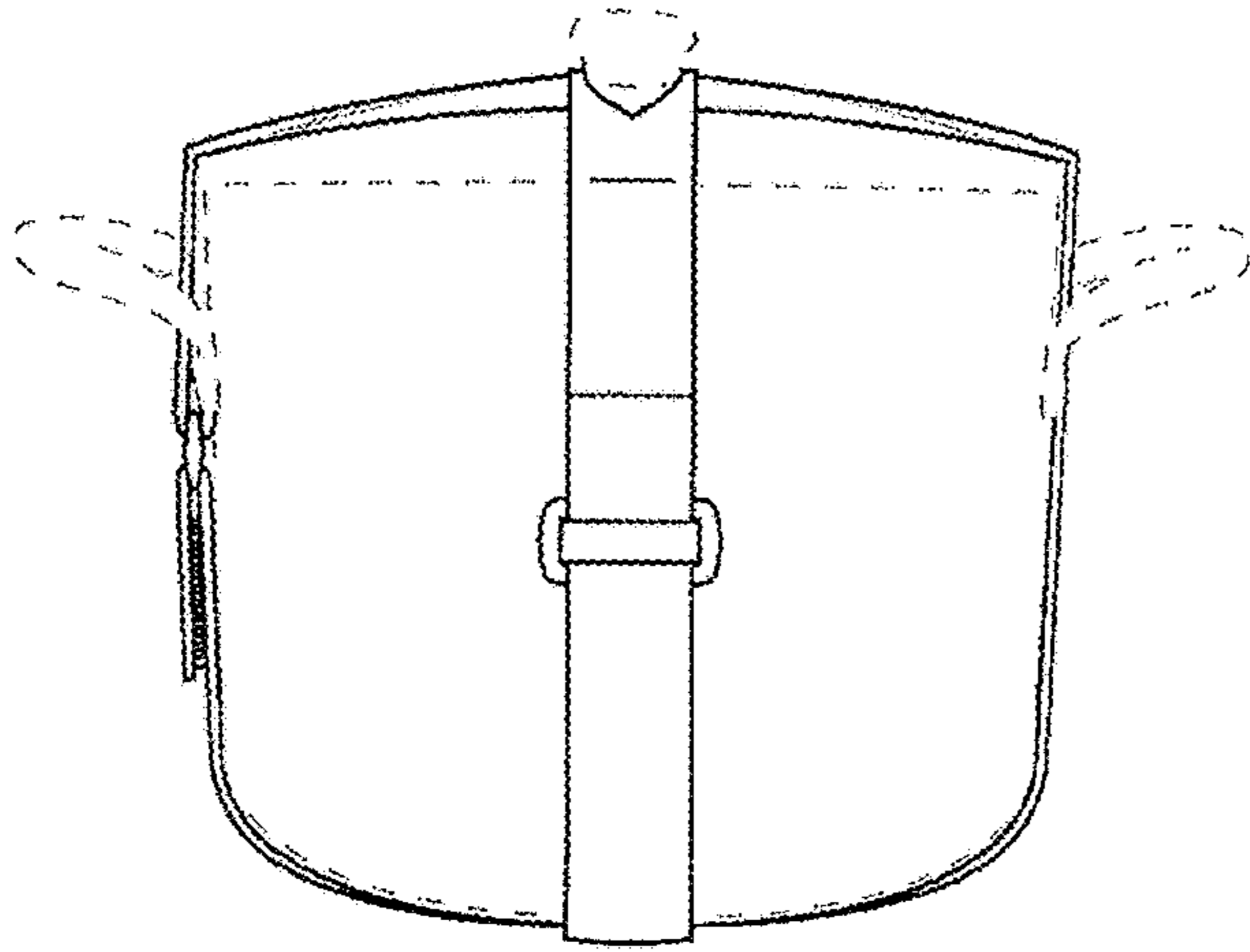


FIG. 3

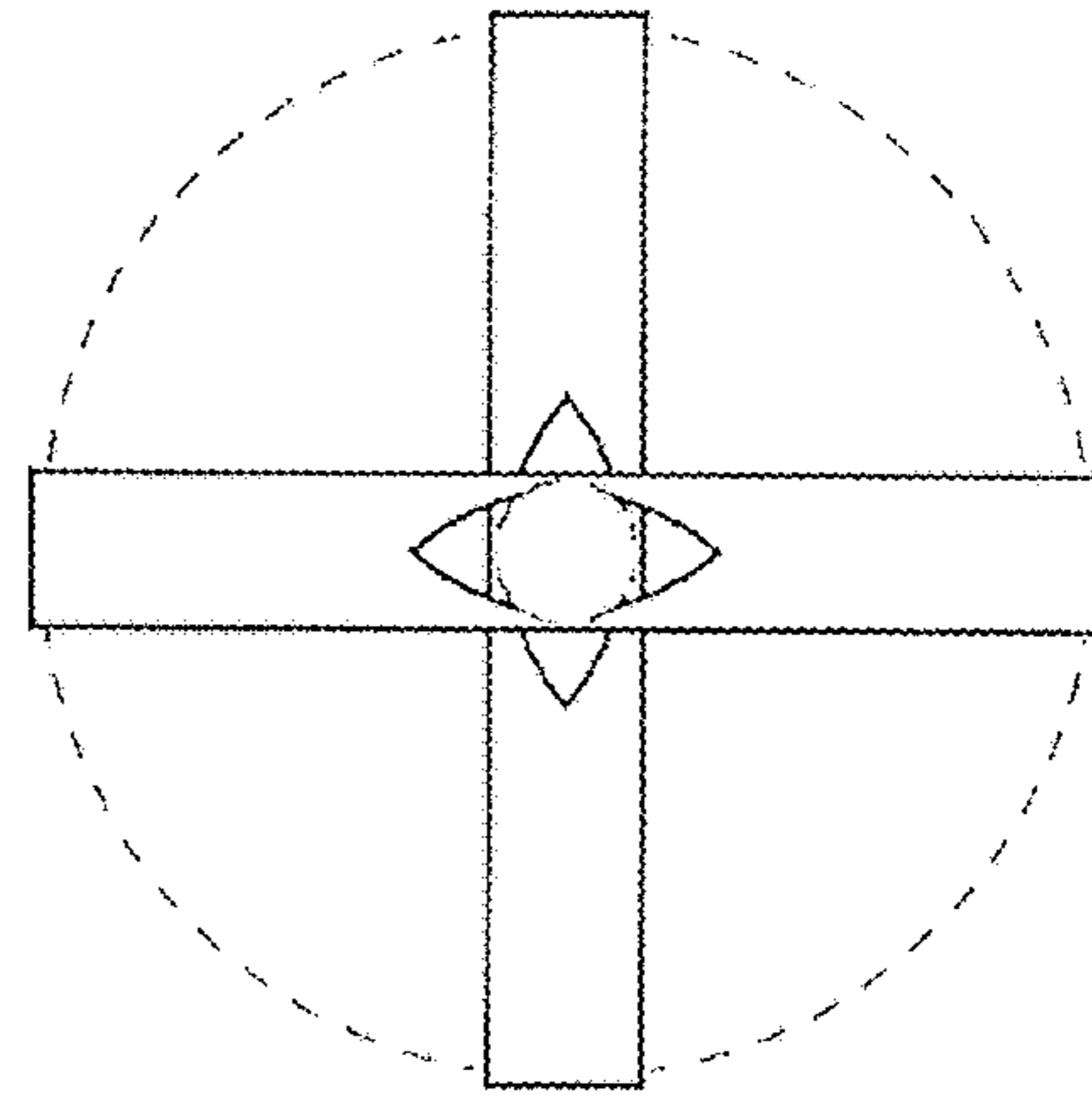


FIG. 2

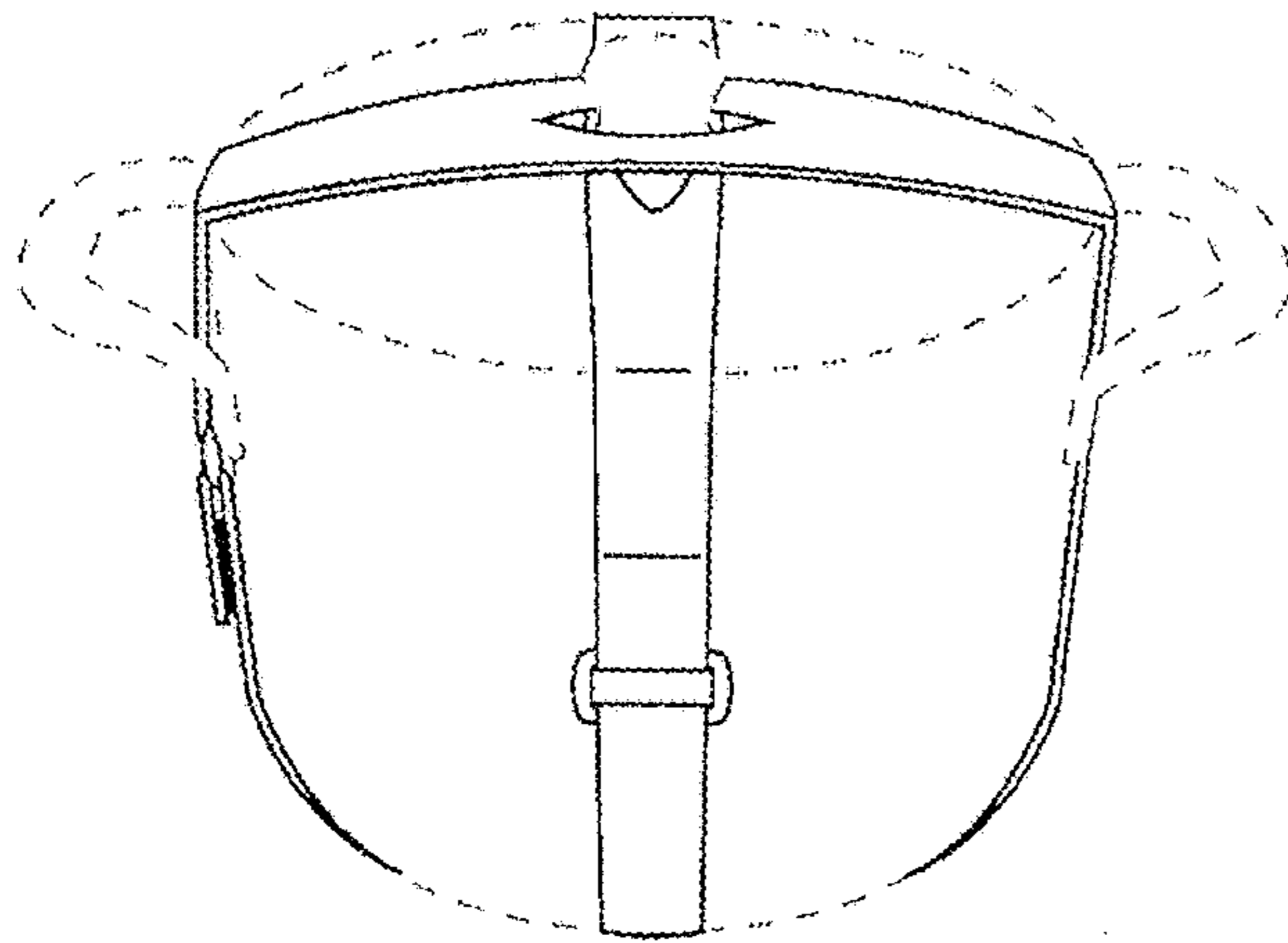


FIG. 4

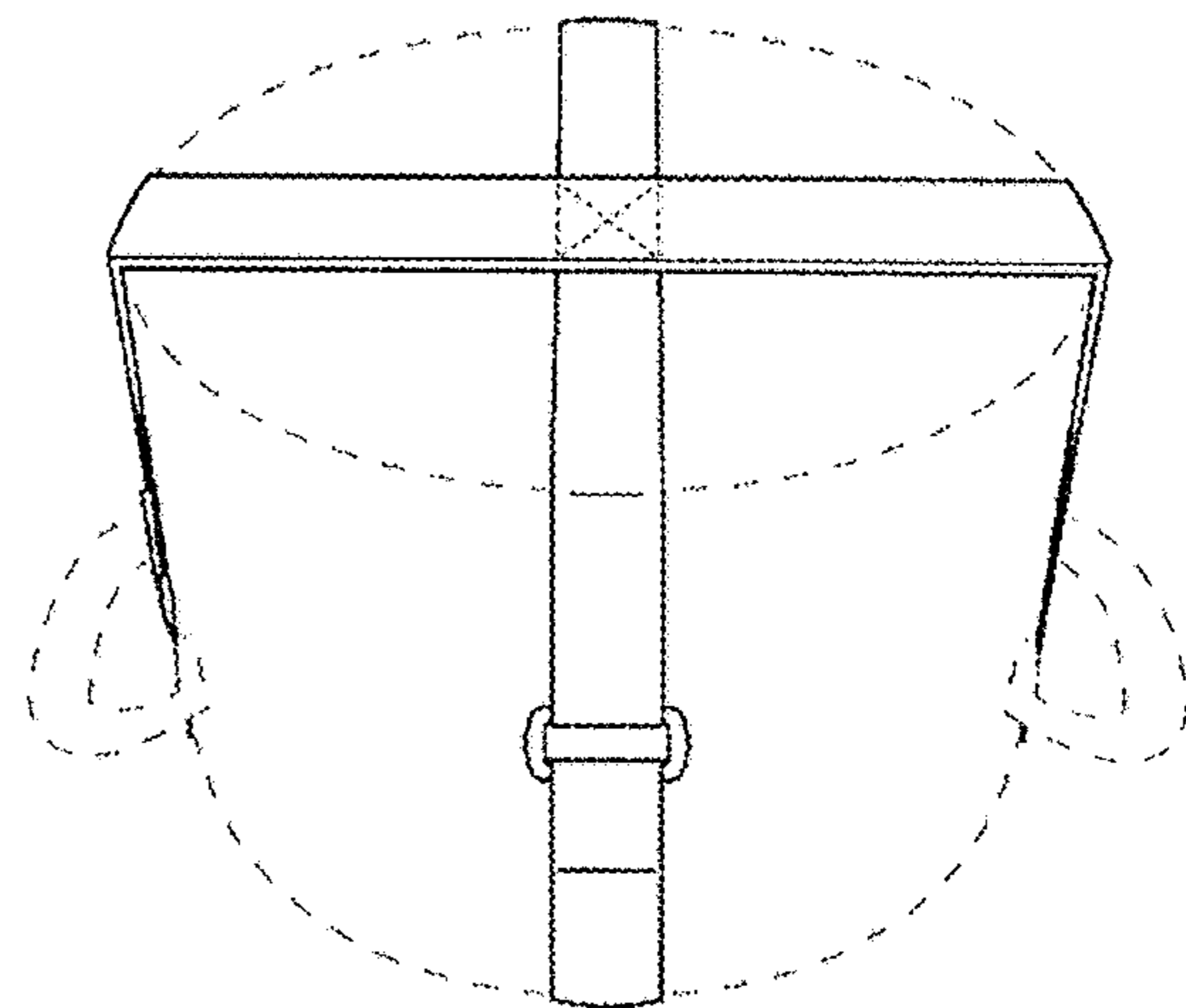


FIG. 5

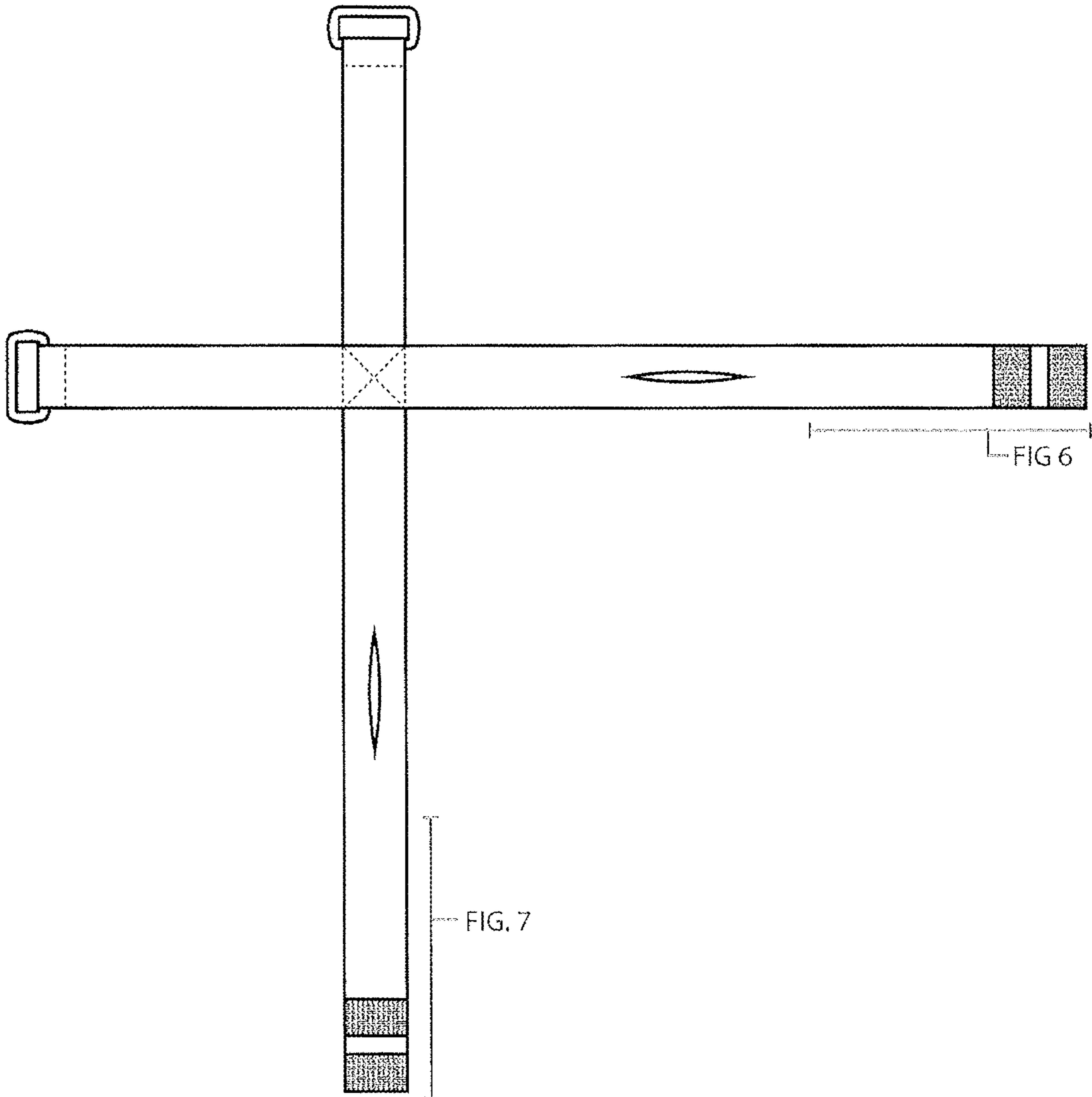


FIG. 6

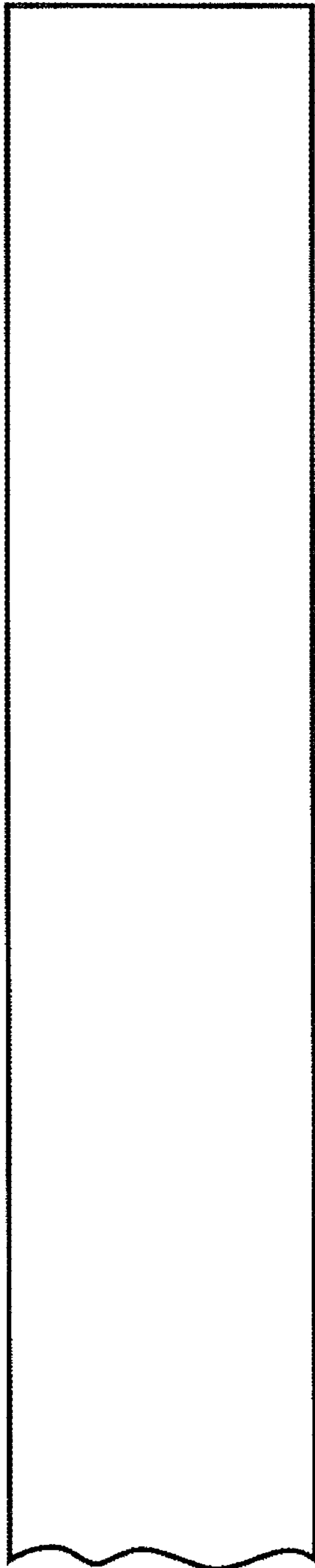


FIG. 7

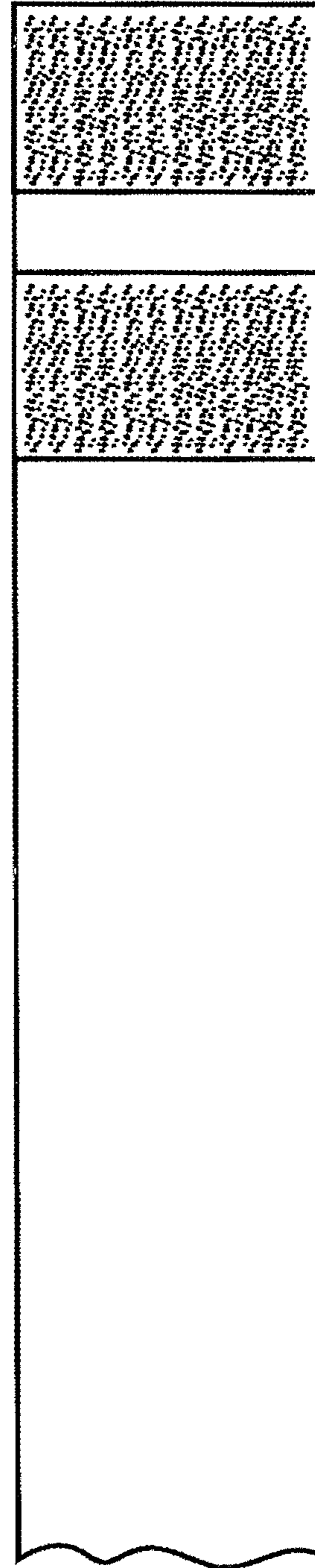


FIG. 8

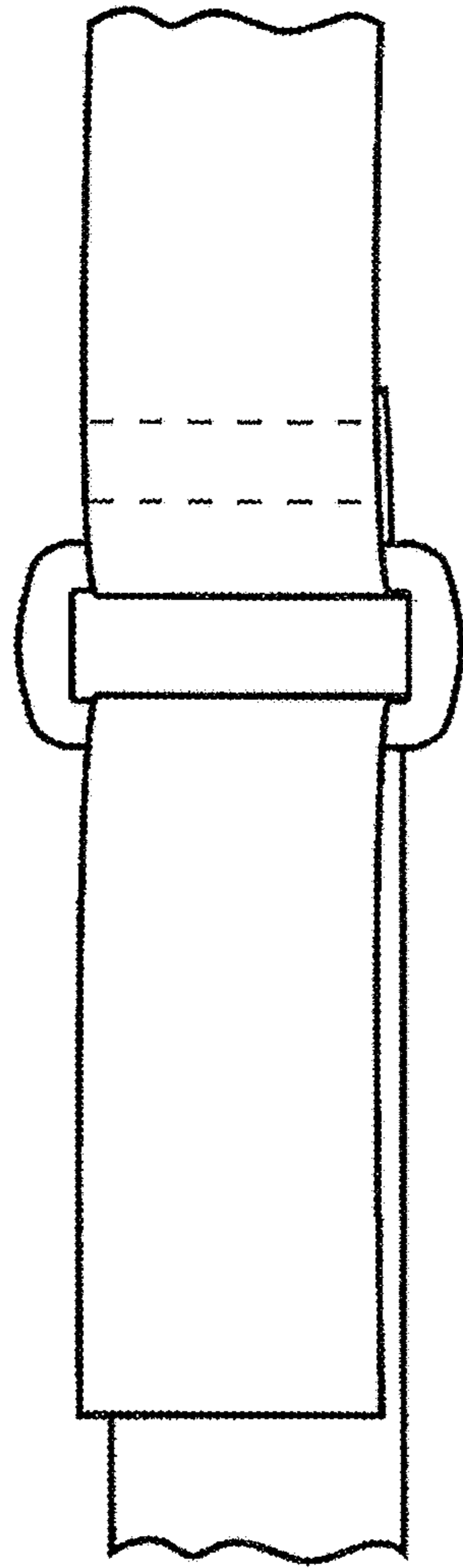


FIG. 9

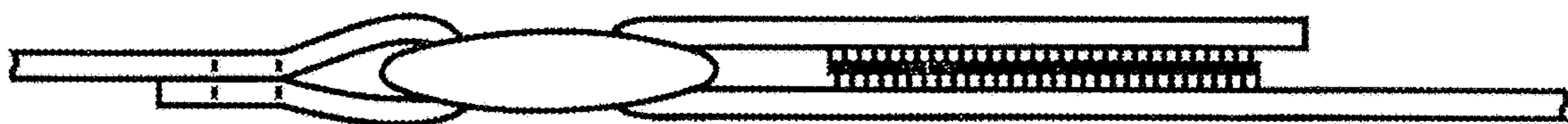


FIG. 10

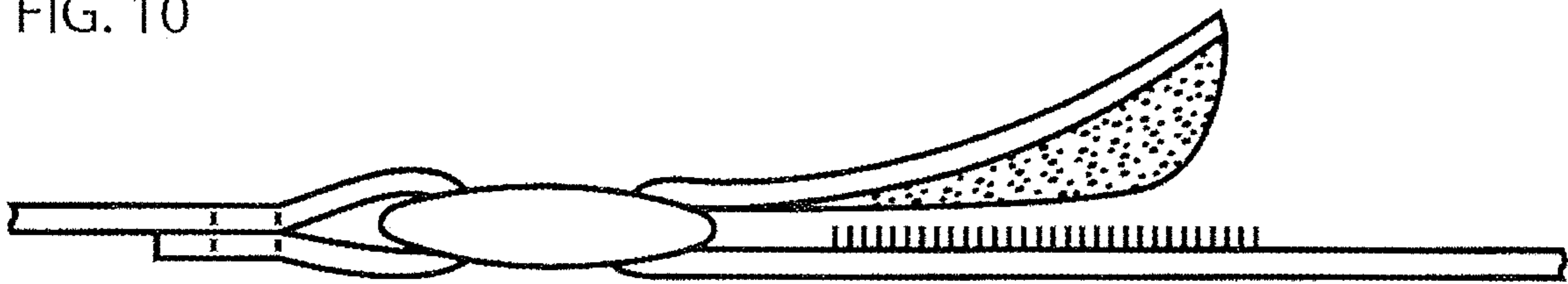


FIG. 11

