



US00D887768S

(12) **United States Design Patent**  
**Chen et al.**

(10) **Patent No.:** **US D887,768 S**

(45) **Date of Patent:** **\*\* Jun. 23, 2020**

(54) **FOOD COOKING EQUIPMENT**

(56) **References Cited**

(71) Applicant: **PRESIDENT CHAIN STORE CORP.**,  
Taipei (TW)

U.S. PATENT DOCUMENTS

(72) Inventors: **Hung-Wei Chen**, Taipei (TW);  
**Hsiu-Chuan Chang**, Taipei (TW);  
**Kuo-Yi Liu**, Taipei (TW); **Li-Ping**  
**Yang**, Taipei (TW); **Chun-Ling Tai**,  
Taipei (TW)

1,990,412 A *	2/1935	Merritt .....	A47J 37/0611 99/373
2,044,615 A *	6/1936	Kennedy .....	A47J 37/0611 99/384
2,243,137 A *	5/1941	Vaughan .....	A47J 37/0611 99/381
3,948,159 A *	4/1976	Vigerstrom .....	A47J 37/0611 99/358
5,671,658 A *	9/1997	Macasaet .....	A47J 37/0611 99/374

(73) Assignee: **PRESIDENT CHAIN STORE CORP.**,  
Taipei (TW)

\* cited by examiner

(\*\*) Term: **15 Years**

*Primary Examiner* — Ricky Pham

(21) Appl. No.: **29/656,301**

(74) *Attorney, Agent, or Firm* — Muncy, Geissler, Olds &  
Lowe, P.C.

(22) Filed: **Jul. 11, 2018**

(30) **Foreign Application Priority Data**

(57) **CLAIM**

Jan. 12, 2018 (TW) ..... 107300222

The ornamental design for a food cooking equipment, as  
shown and described.

(51) **LOC (12) Cl.** ..... **07-02**

(52) **U.S. Cl.**  
USPC ..... **D7/362; D7/328**

**DESCRIPTION**

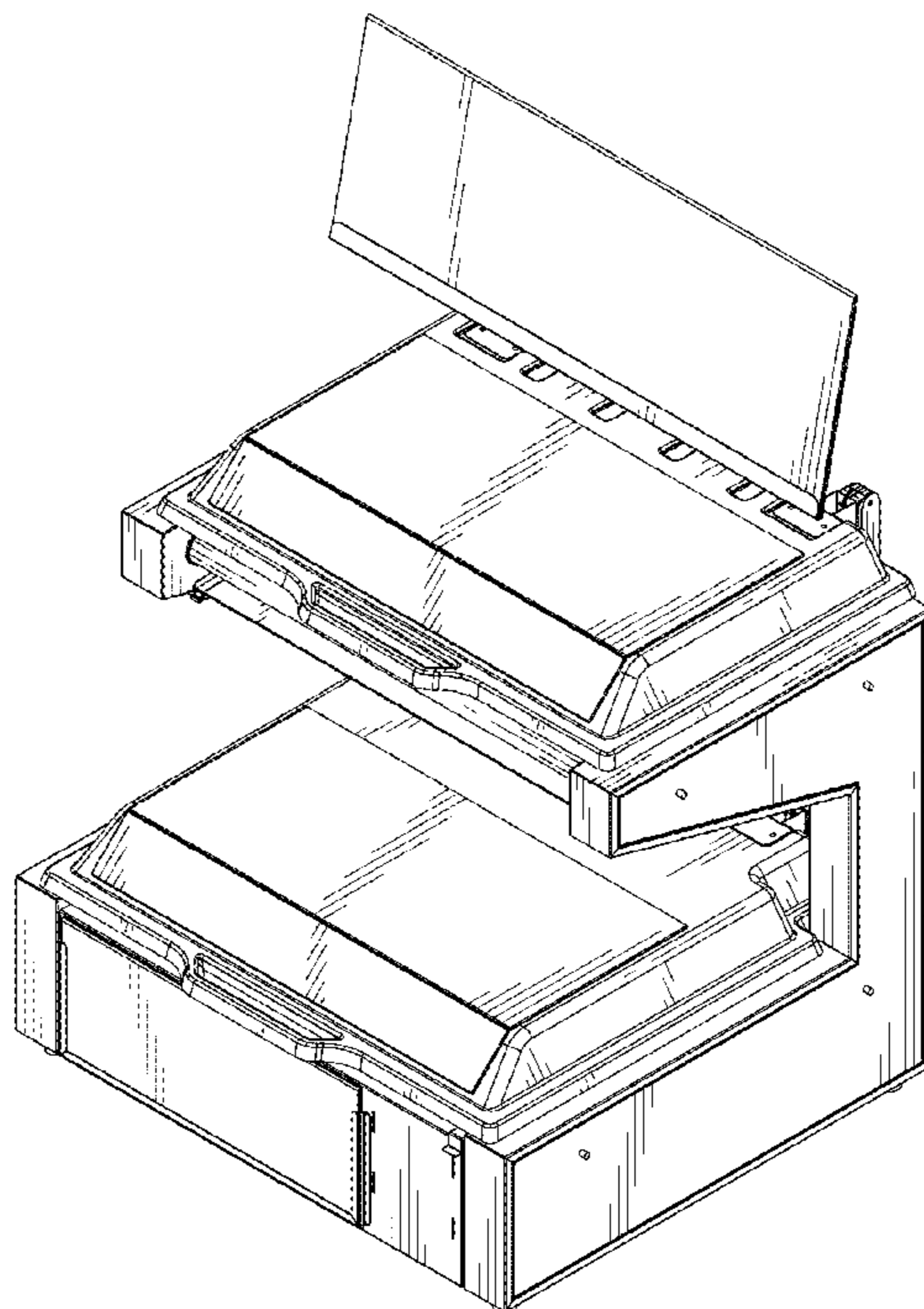
(58) **Field of Classification Search**  
USPC ..... D7/323, 328–330, 339–349, 390,  
D7/402–406

CPC ... A21B 2/00; A47J 37/00; A47J 37/06; A47J  
37/0611; A47J 37/0623; A47J 37/08;  
A47J 37/0807; A47J 37/0814; A47J  
37/0835; A47J 37/0842; A47J 37/085;  
A47J 37/0864; A47J 37/0878; A47J  
37/0885; A47J 37/0892; F24C 15/02;  
F24C 15/04; F24C 15/10; F24C 15/102

FIG. 1 is a top perspective view of a food cooking equipment  
showing our new design;  
FIG. 2 is a front elevational view thereof;  
FIG. 3 is a rear elevational view thereof;  
FIG. 4 is a left side elevational view thereof;  
FIG. 5 is a right side elevational view thereof;  
FIG. 6 is a top plan view thereof; and,  
FIG. 7 is a bottom plan view thereof.

See application file for complete search history.

**1 Claim, 7 Drawing Sheets**



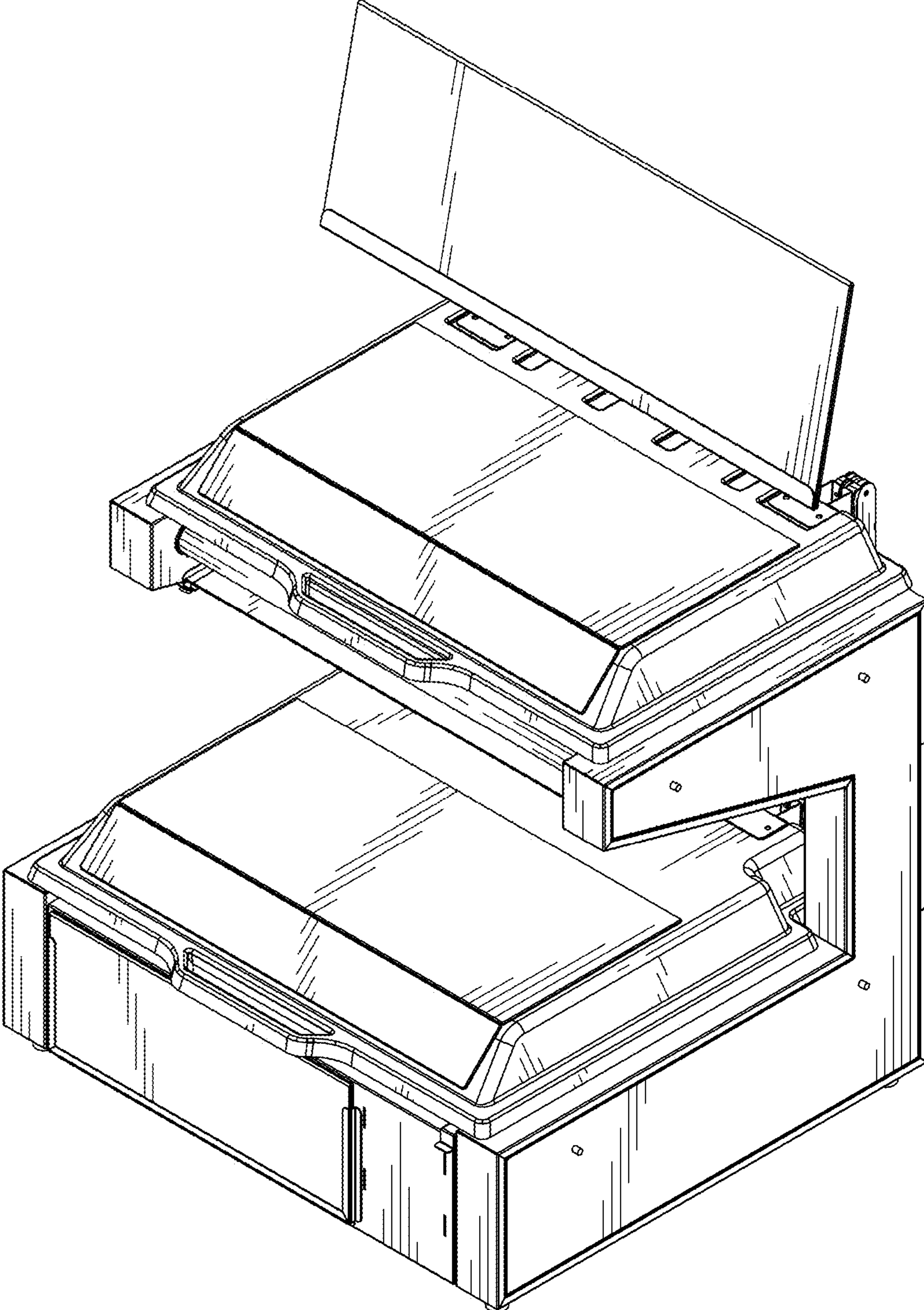


FIG. 1

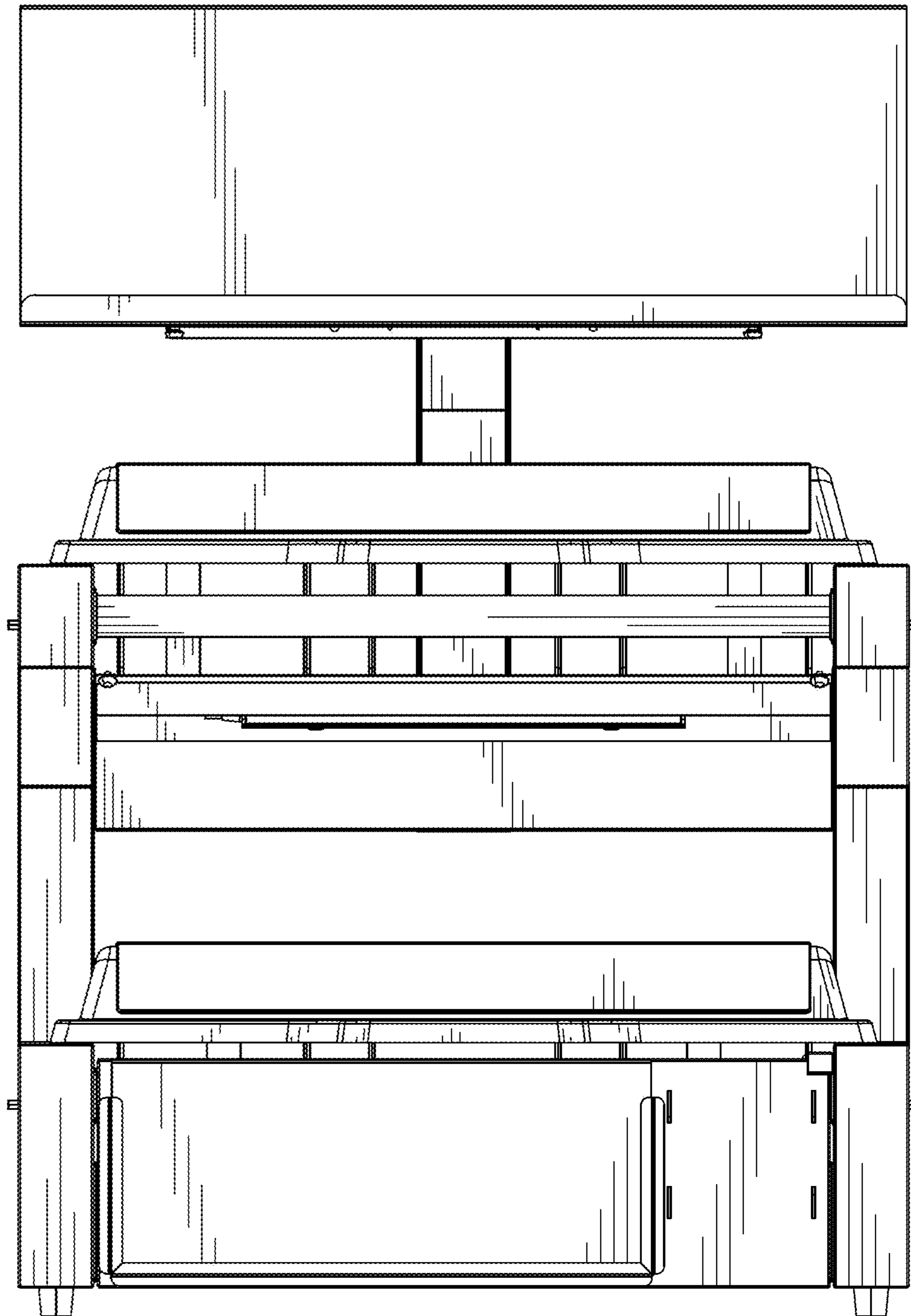


FIG.2

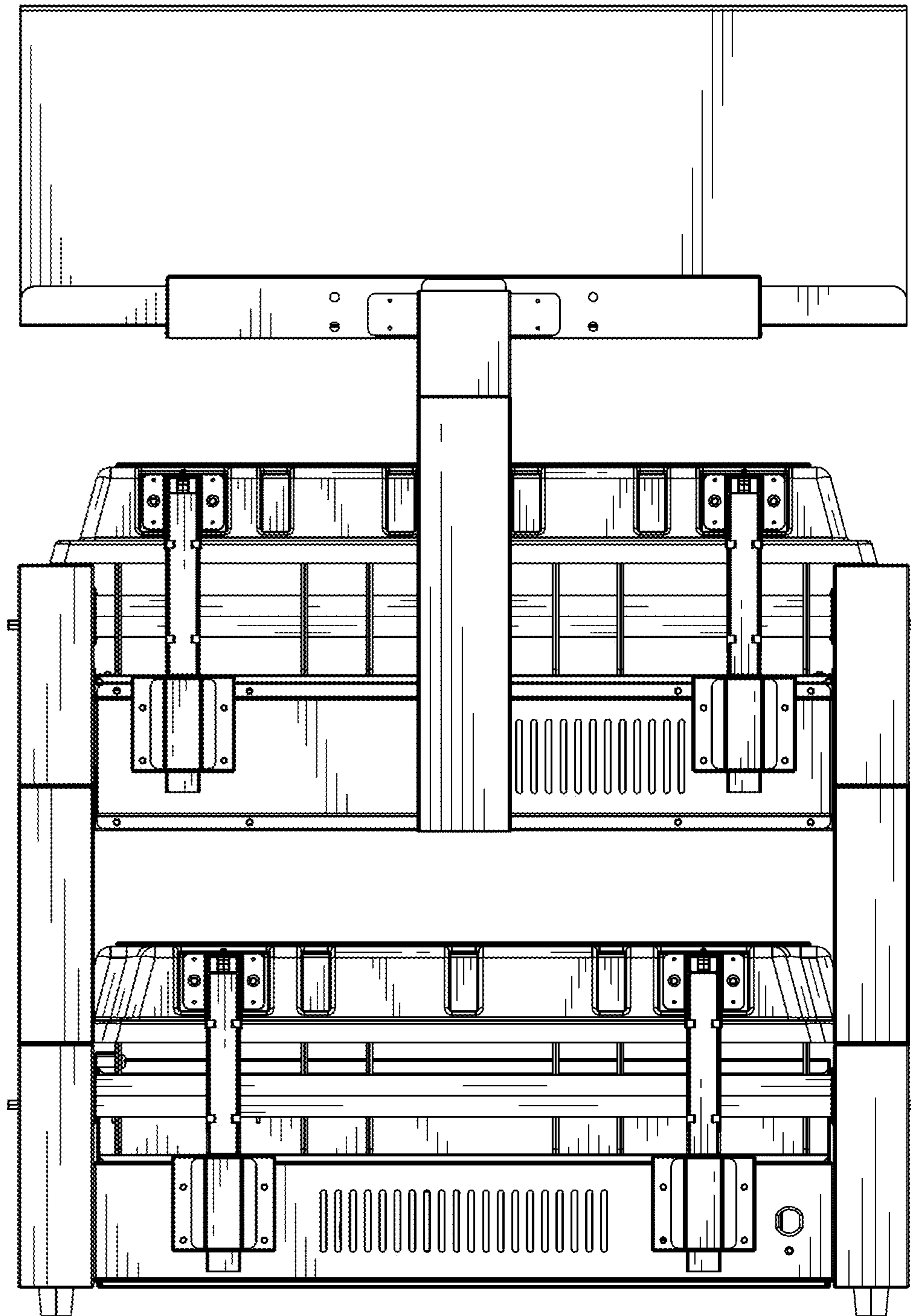


FIG.3

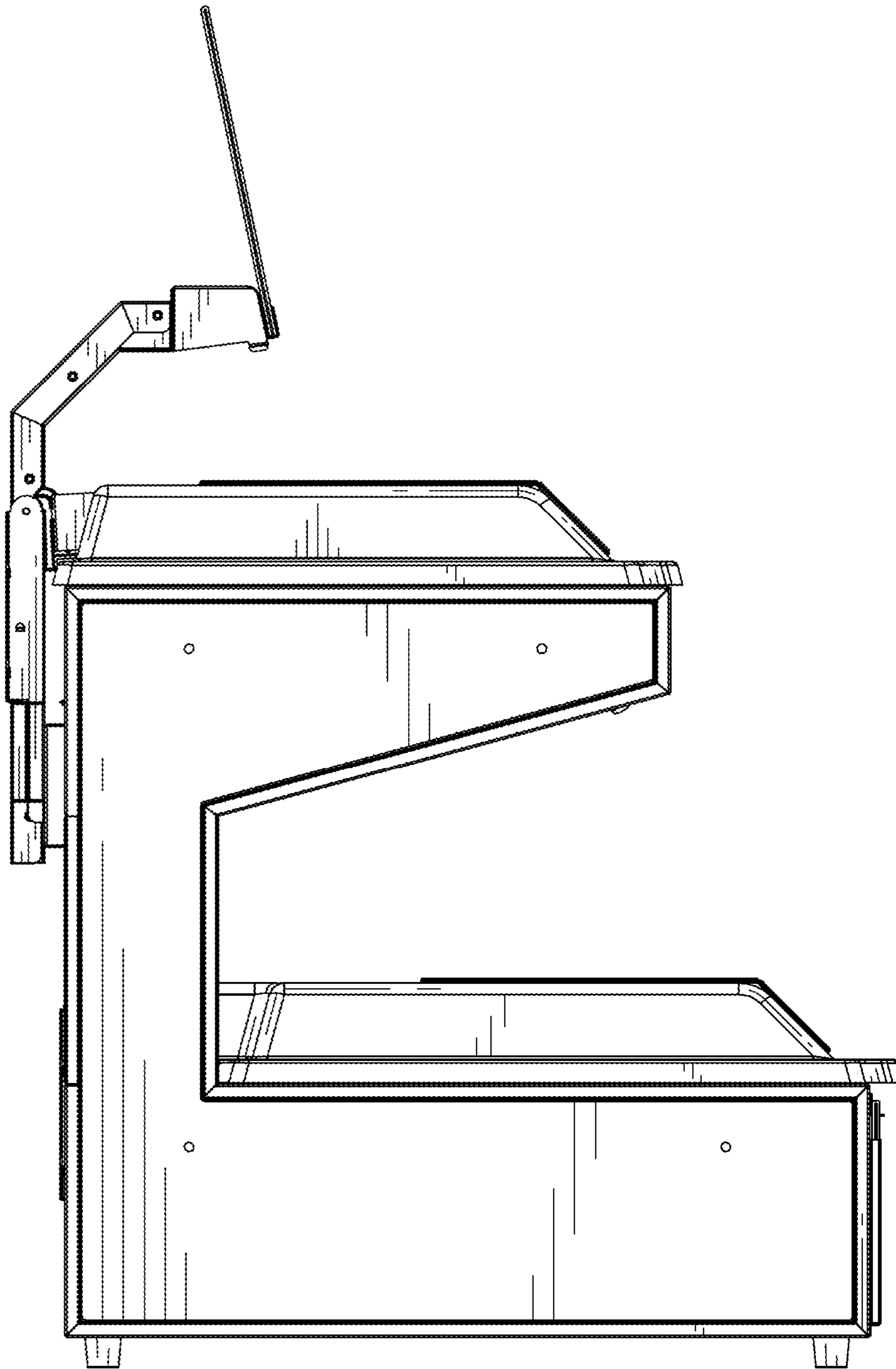


FIG.4

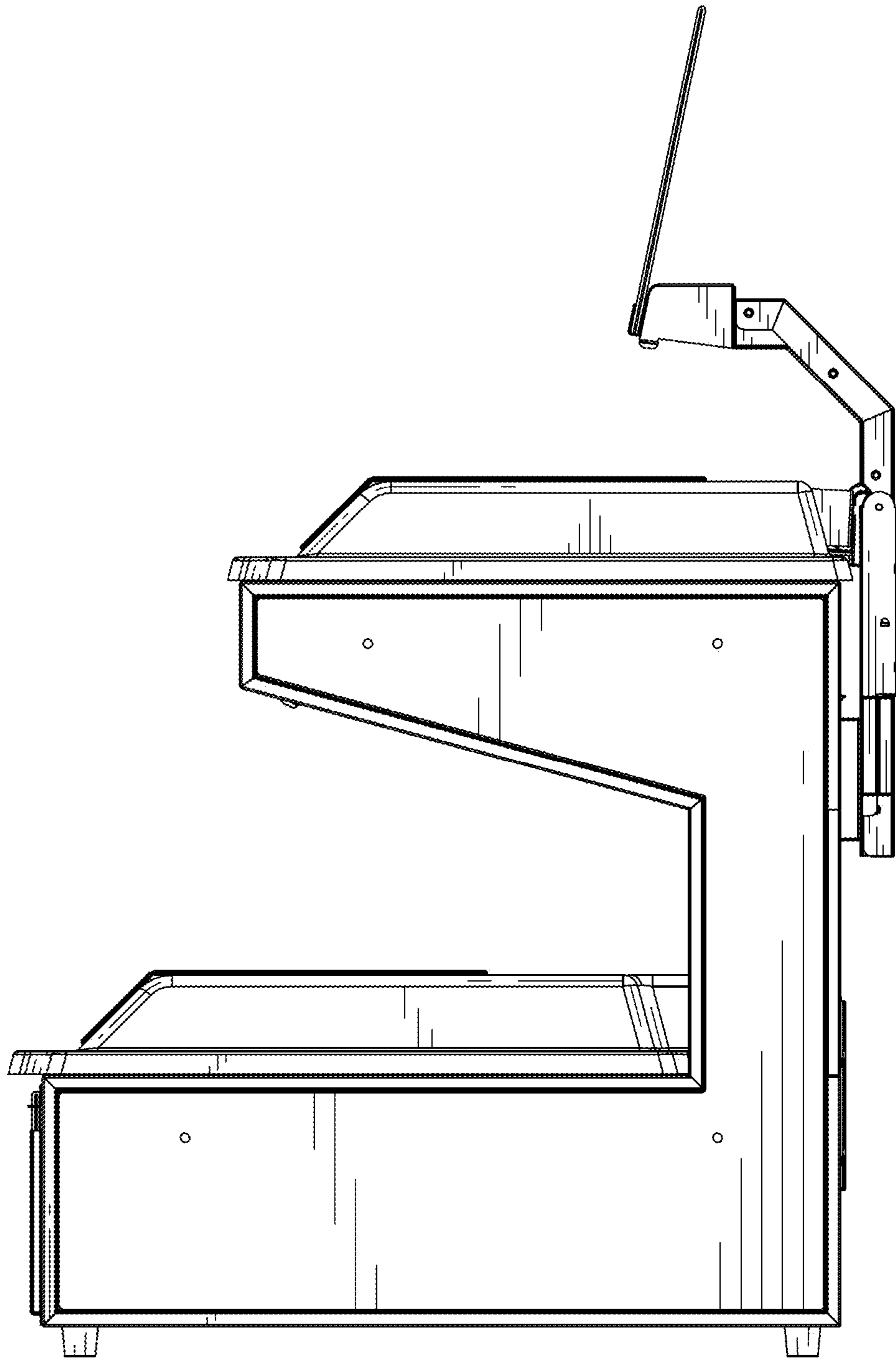


FIG.5

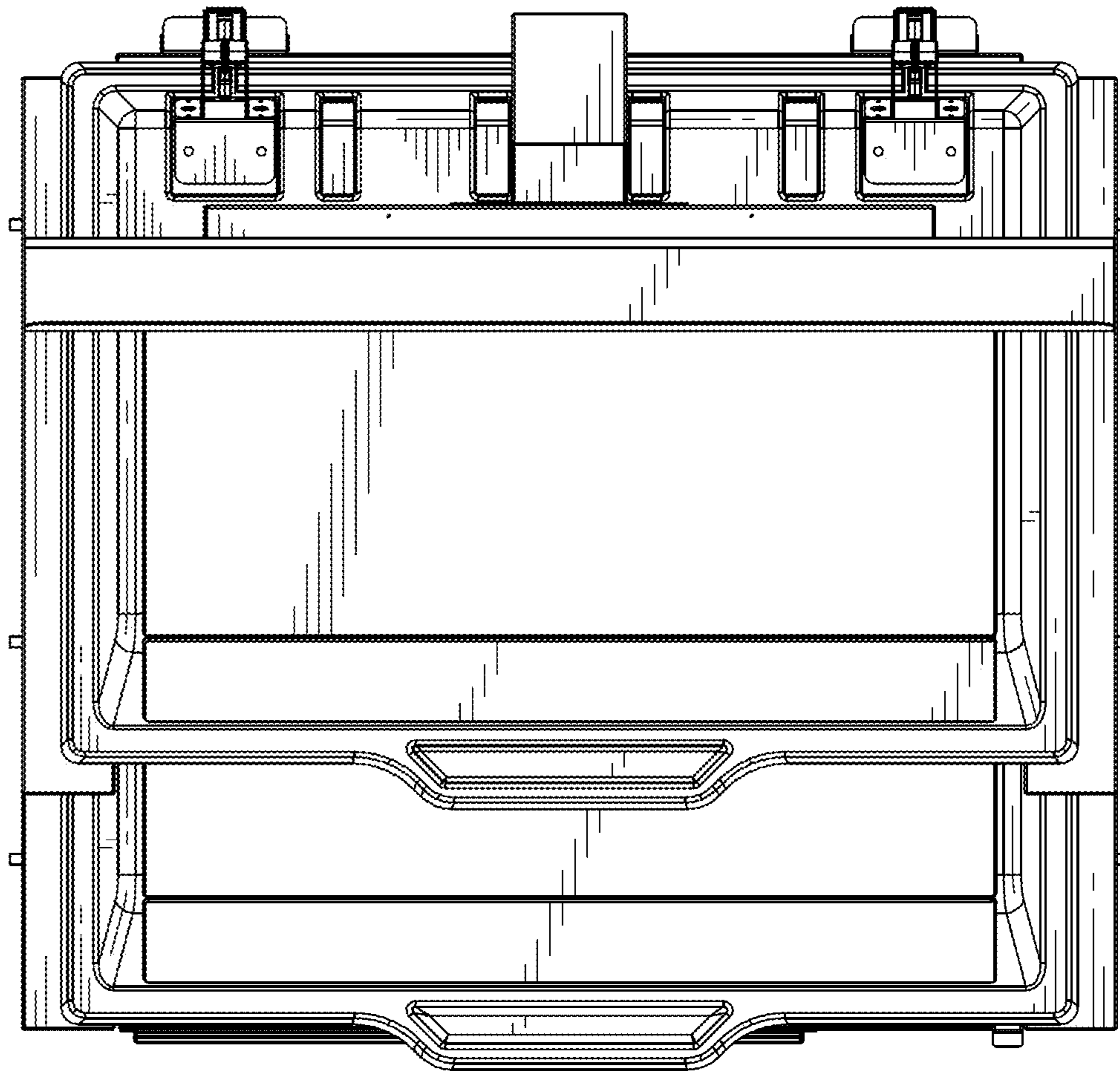


FIG.6

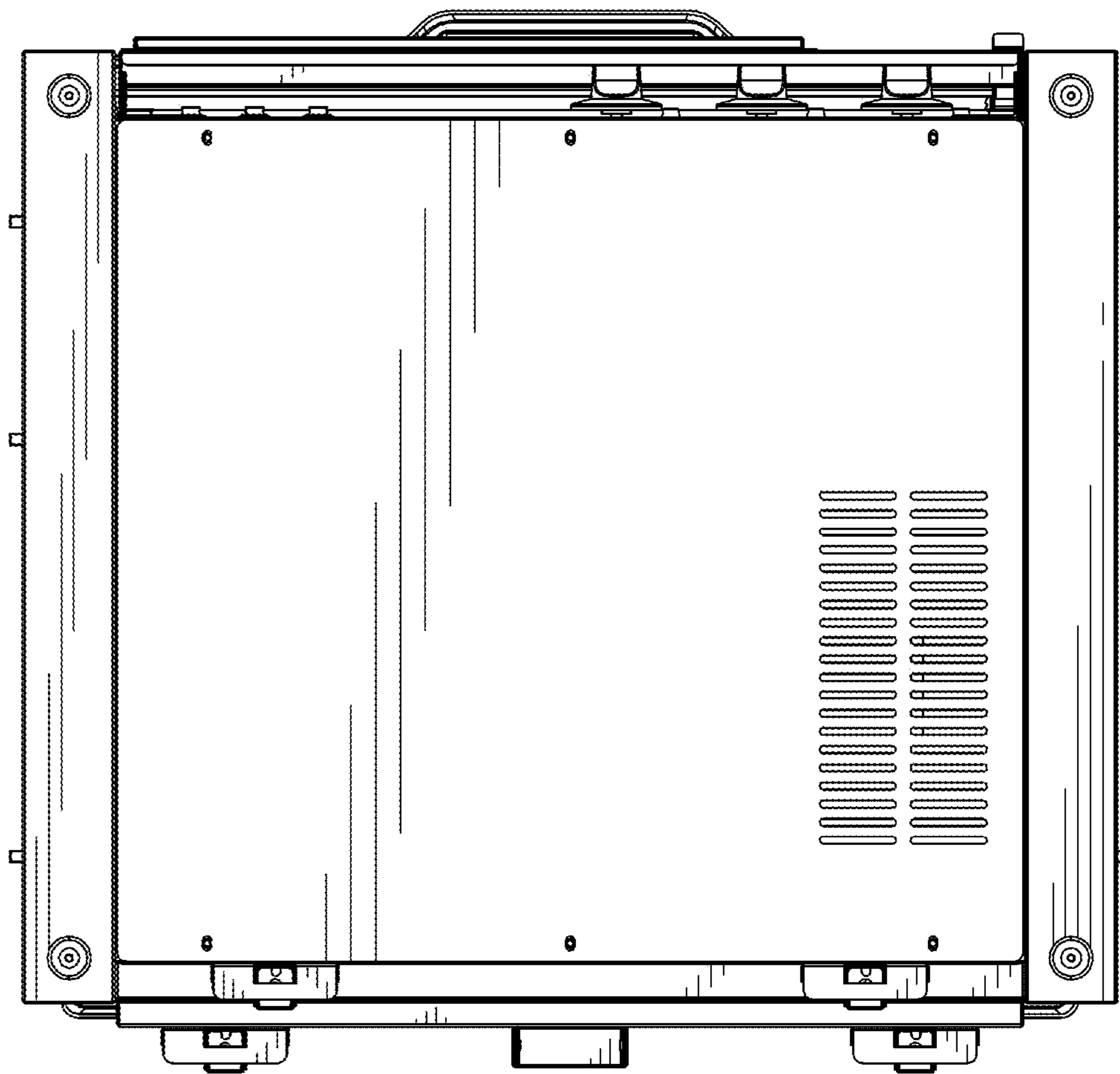


FIG.7