



US00D887767S

(12) **United States Design Patent** (10) **Patent No.:** **US D887,767 S**
Huang et al. (45) **Date of Patent:** **** Jun. 23, 2020**

(54) **OVEN**

(71) Applicant: **GRAND MATE CO., LTD.**, Taichung (TW)

(72) Inventors: **Chung-Chin Huang**, Taichung (TW);
Chin-Ying Huang, Taichung (TW);
Hsin-Ming Huang, Taichung (TW);
Hsing-Hsiung Huang, Taichung (TW);
Yen-Jen Yeh, Taichung (TW);
Kuan-Chou Lin, Taichung (TW);
Tang-Yuan Luo, Taichung (TW)

(73) Assignee: **GRAND MATE CO., LTD.**, Taichung (TW)

(**) Term: **15 Years**

(21) Appl. No.: **29/682,416**

(22) Filed: **Mar. 5, 2019**

(30) **Foreign Application Priority Data**

Jan. 28, 2019 (TW) 108300553

(51) **LOC (12) Cl.** **07-02**

(52) **U.S. Cl.**
USPC **D7/339; D7/323**

(58) **Field of Classification Search**
USPC D7/323, 328-337, 350.1, 339-349, 351,
D7/390, 402-406; D23/343, 350
CPC ... A21B 2/00; A47J 37/00; A47J 37/06; A47J
37/0611; A47J 37/074; A47J 37/08; A47J
37/0807; A47J 37/0814; A47J 37/0835;
A47J 37/0842; A47J 37/085; A47J
37/0864; A47J 37/0878; A47J 37/0885;
A47J 37/0892; F24B 1/205; F24C 7/00;
F24C 7/002; F24C 7/046; F24C 7/067;
F24C 15/02; F24C 15/04; F24C 15/10;
F24C 15/102

See application file for complete search history.

(56) **References Cited**

U.S. PATENT DOCUMENTS

1,404,808	A *	1/1922	Taylor	F24B 1/205 126/9 R
D182,222	S *	3/1958	Best	D7/337
3,103,160	A *	9/1963	Forniti	A47J 37/074 99/339
D250,418	S *	11/1978	Baker	D23/350
D254,865	S *	4/1980	Saye	D23/350
D262,651	S *	1/1982	Louderback	D23/343
4,545,359	A *	10/1985	Hait	F24B 1/205 126/29
D547,111	S *	7/2007	Loyd	D7/348
D642,855	S *	8/2011	de Paula	D7/333
D693,166	S *	11/2013	Measom	D7/350.1
D775,489	S *	1/2017	Zemel	D7/332
D845,055	S *	4/2019	Goodwin	D7/323
D845,695	S *	4/2019	Wu	D7/334

* cited by examiner

Primary Examiner — Ricky Pham

(74) *Attorney, Agent, or Firm* — Tracy M Heims; Apex Juris, pllc.

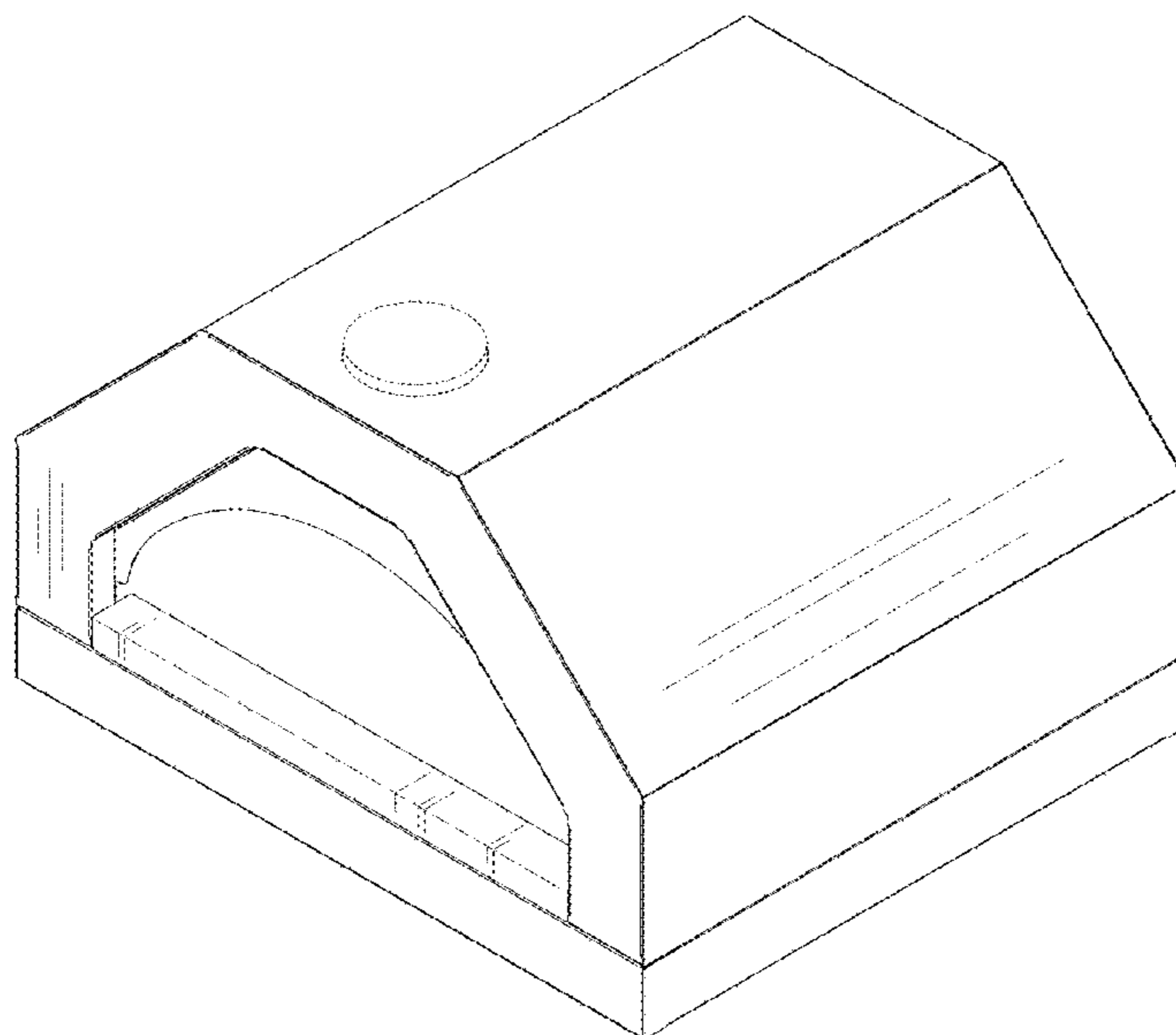
(57) **CLAIM**

The ornamental design for an oven, as shown and described.

DESCRIPTION

FIG. 1 is a perspective view of the oven;
FIG. 2 is a front view of the oven;
FIG. 3 is a rear view of the oven;
FIG. 4 is a left side view of the oven;
FIG. 5 is a right side view of the oven; and,
FIG. 6 is a top view of the oven.
The bottom of the oven is devoid of design markings.
In the drawings, the broken lines depict portions of the article that form no part of the claimed design.

1 Claim, 6 Drawing Sheets



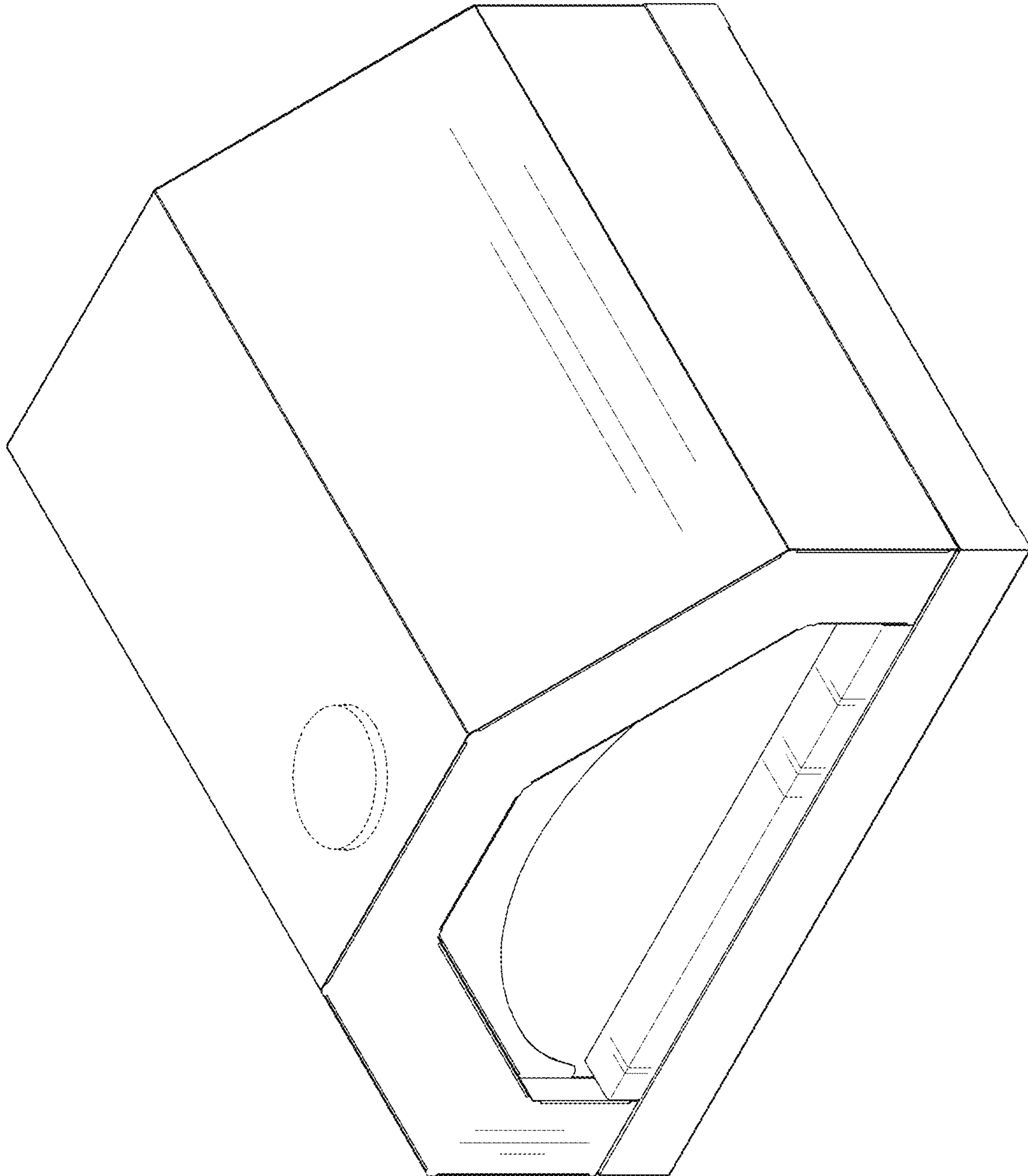


FIG.1

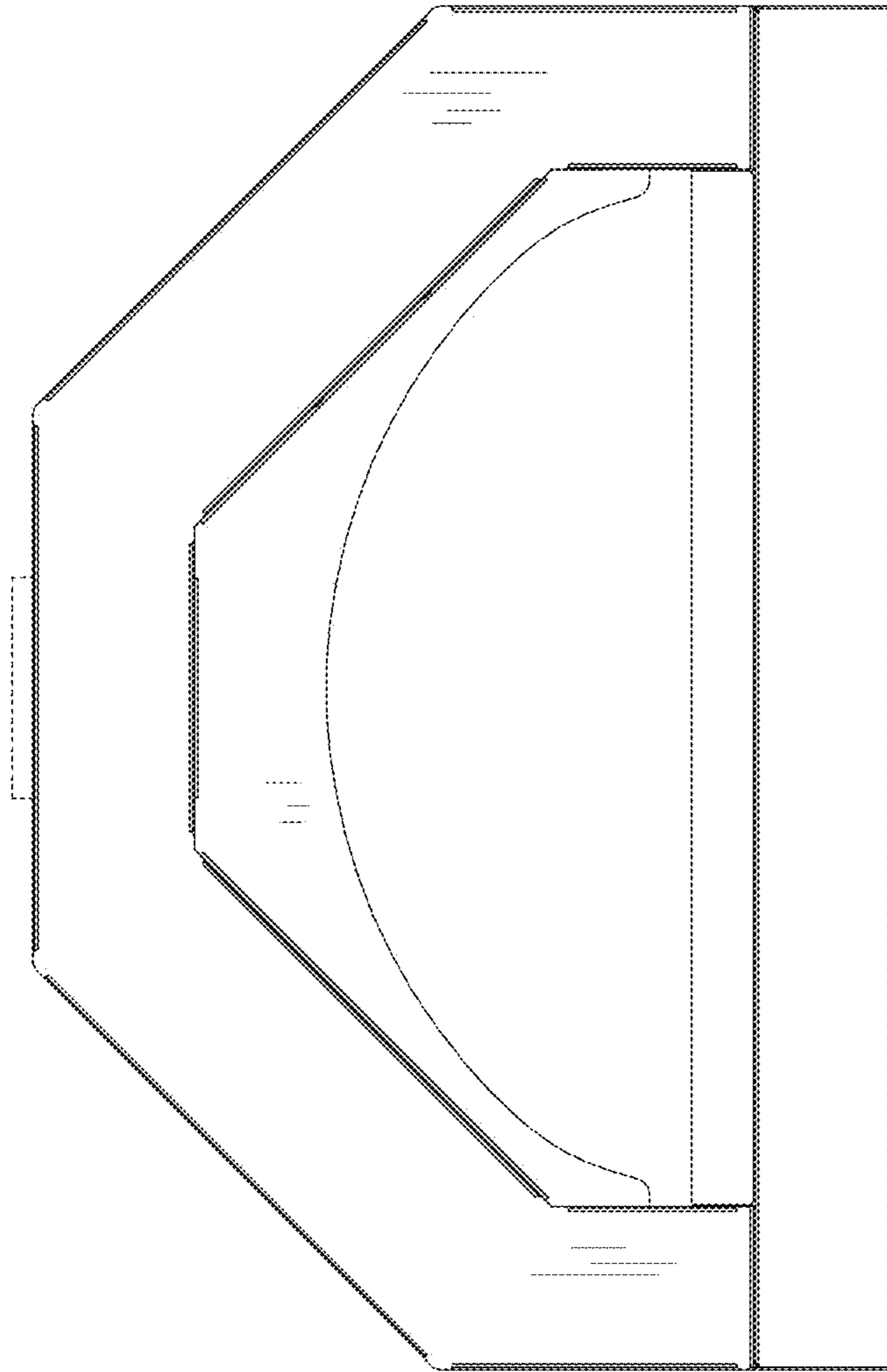


FIG.2

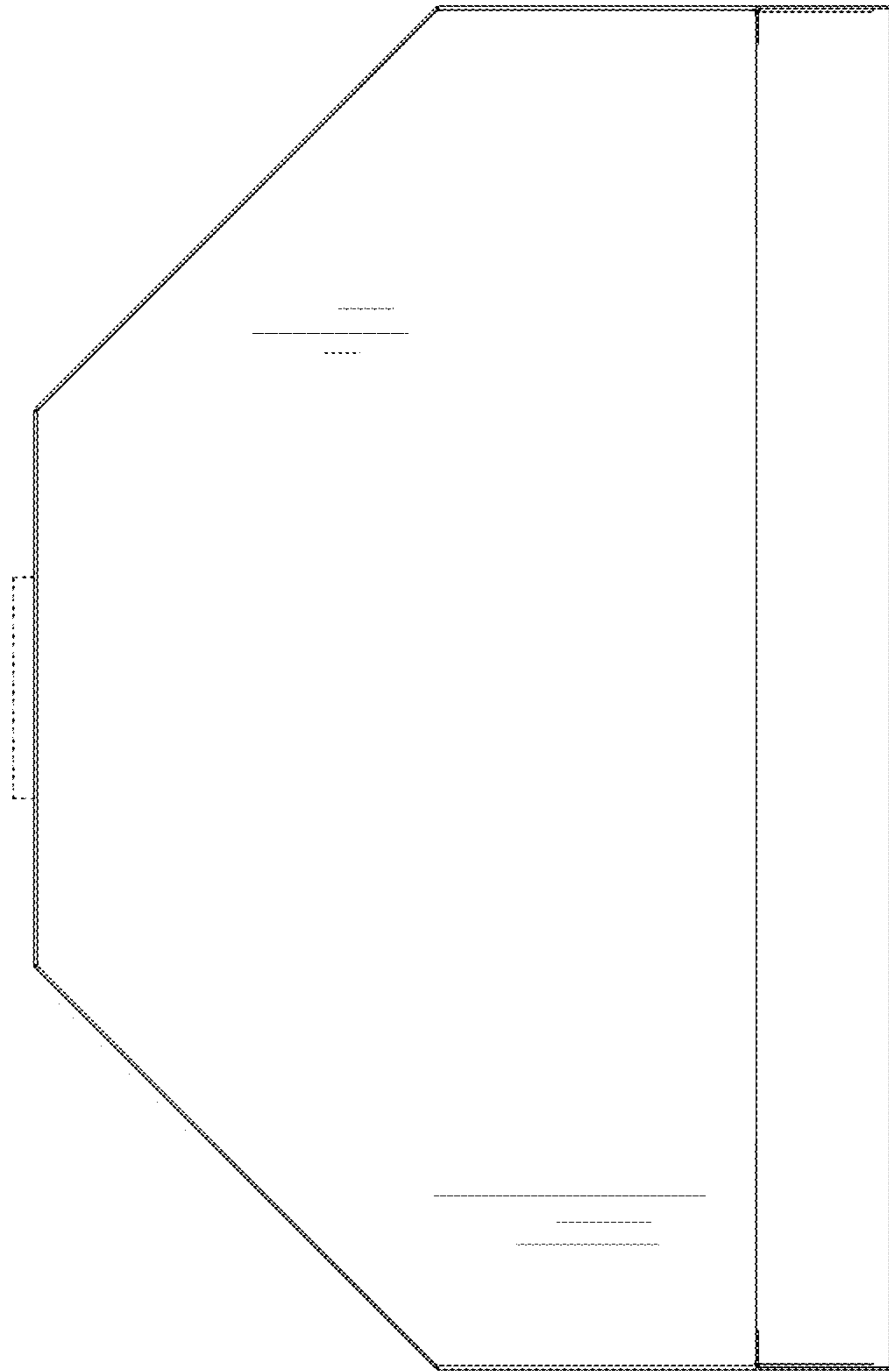


FIG.3

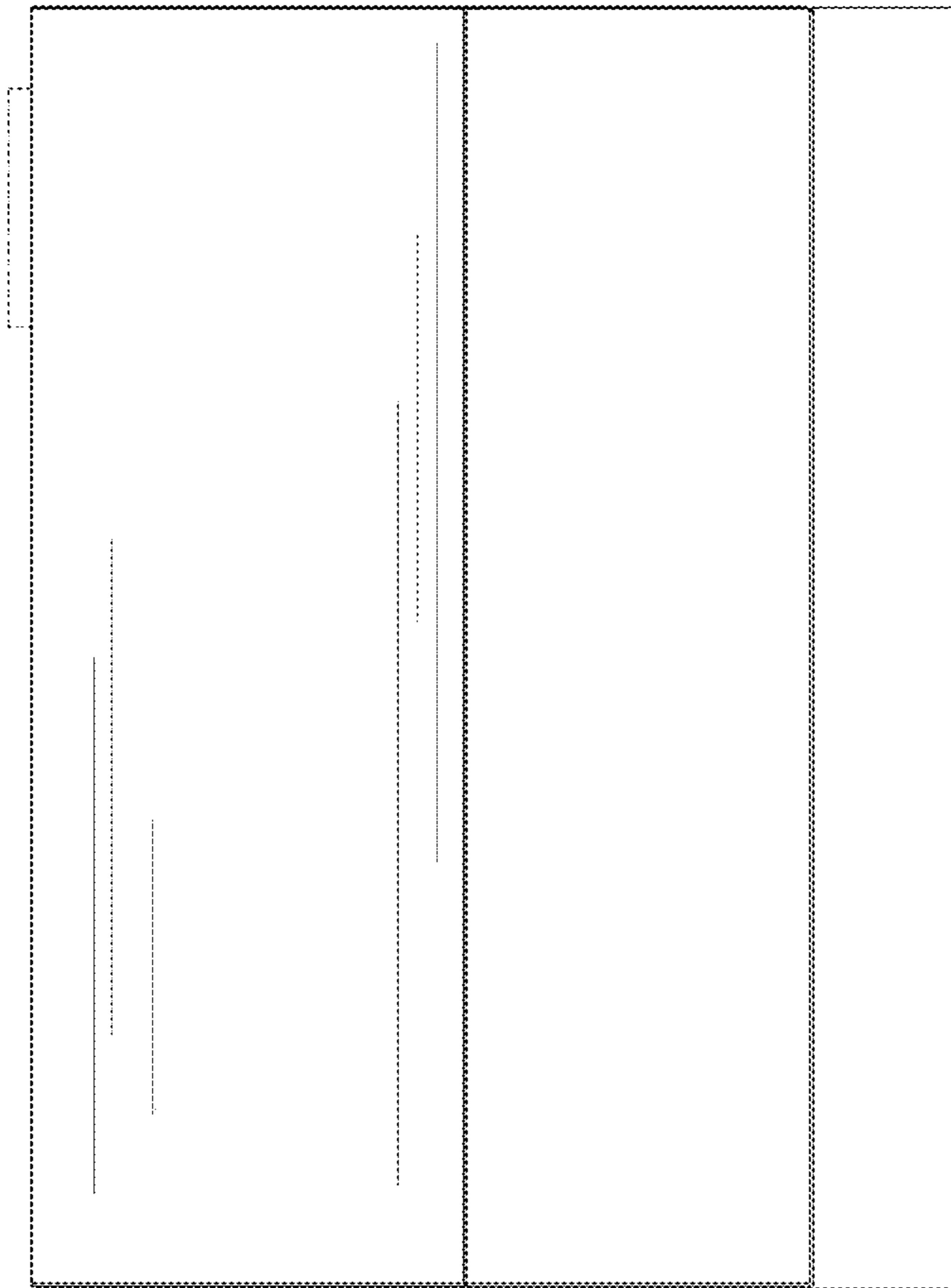


FIG.4

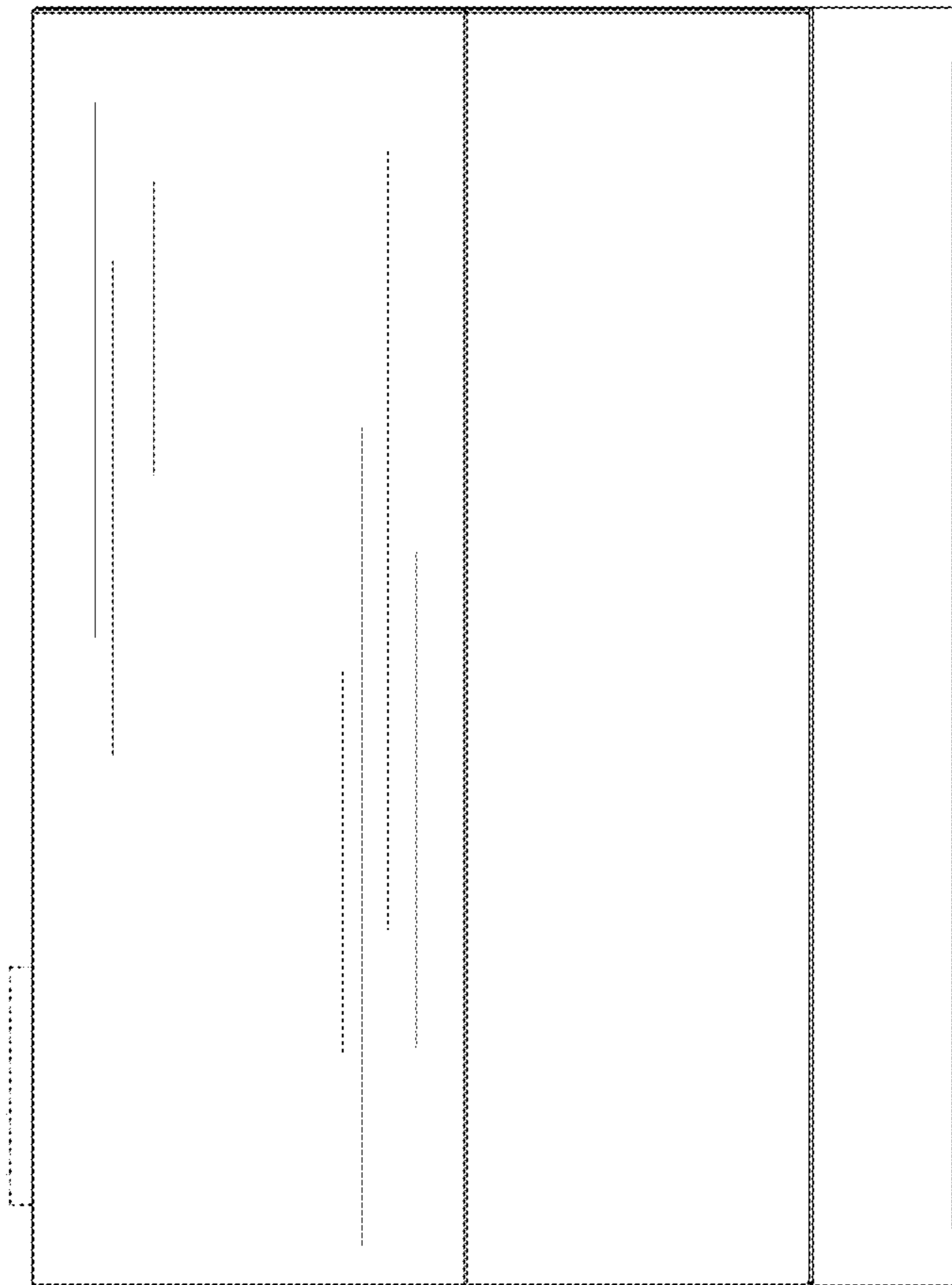


FIG.5

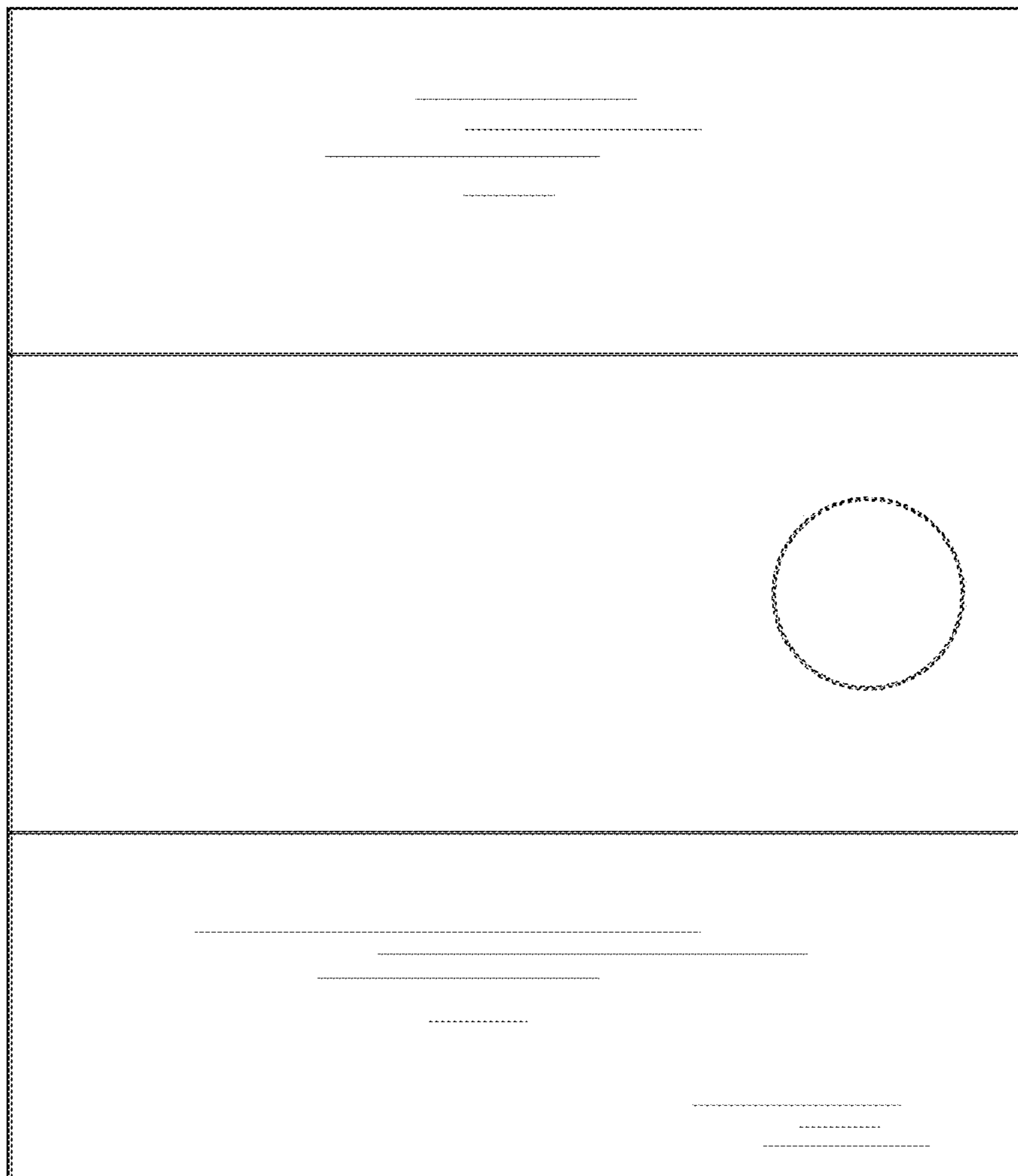


FIG.6