



US00D887765S

(12) **United States Design Patent**
Henkel

(10) **Patent No.:** **US D887,765 S**

(45) **Date of Patent:** **** Jun. 23, 2020**

(54) **CARAFE**

(71) Applicant: **MiiR Holdings, LLC**, Seattle, WA
(US)

(72) Inventor: **Geoff Henkel**, Seattle, WA (US)

(**) Term: **15 Years**

(21) Appl. No.: **29/708,803**

(22) Filed: **Oct. 9, 2019**

(51) **LOC (12) Cl.** **07-01**

(52) **U.S. Cl.**
USPC **D7/316**; D7/598

(58) **Field of Classification Search**
USPC D7/507, 397, 399, 400, 309, 300, 505,
D7/316-319, 598, 321, 608; 99/295;
D9/545

CPC .. A47J 31/20; A47J 31/18; A47J 31/16; A47J
31/005; A47J 31/0615; A47J 45/10

See application file for complete search history.

(56) **References Cited**

U.S. PATENT DOCUMENTS

2,414,901	A *	1/1947	Schlumbohm	A47J 45/08 215/396
2,705,086	A *	3/1955	Schlumbohm	A47J 45/10 215/396
3,536,496	A *	10/1970	Paoloni	A23F 5/262 426/397
3,739,932	A *	6/1973	Westover	A47J 45/10 215/396
D365,721	S *	1/1996	Huang	D7/317
5,509,583	A *	4/1996	Dolson	B67D 3/0035 222/185.1
D409,051	S *	5/1999	Huang	D7/598

D471,767	S *	3/2003	Ucar Cortes	D7/598
D609,571	S *	2/2010	Butler	D9/504
D621,648	S *	8/2010	Lown	D7/300.1
D654,869	S *	2/2012	Konz	D13/110
D661,939	S *	6/2012	Kern	D7/316
D684,312	S *	6/2013	Badawi	D27/162
D751,331	S *	3/2016	Rashid	D7/316
D789,134	S *	6/2017	Lin	D7/316
D864,645	S *	10/2019	Perez	D7/316
2011/0198352	A1 *	8/2011	Lown	A47G 19/12 220/254.8
2015/0374151	A1 *	12/2015	Lin	A47G 19/12 222/545

* cited by examiner

Primary Examiner — Marianne N Pandozzi
(74) *Attorney, Agent, or Firm* — Janeway Patent Law,
PLLC; John M. Janeway

(57) **CLAIM**

The ornamental design for a carafe, as shown and described.

DESCRIPTION

FIG. 1 is a perspective view of a carafe showing my new design, according to the invention.
FIG. 2 is a front, elevation view of the carafe.
FIG. 3 is a rear, elevation view of the carafe.
FIG. 4 is a left side, elevation view of the carafe.
FIG. 5 is a right side, elevation view of the carafe.
FIG. 6 is a top, plan view of the carafe; and,
FIG. 7 is a bottom, plan view of the carafe.
The broken lines in FIGS. 1-5 and 7 show other structure of the carafe, and do not form a part of the claimed design.

1 Claim, 3 Drawing Sheets

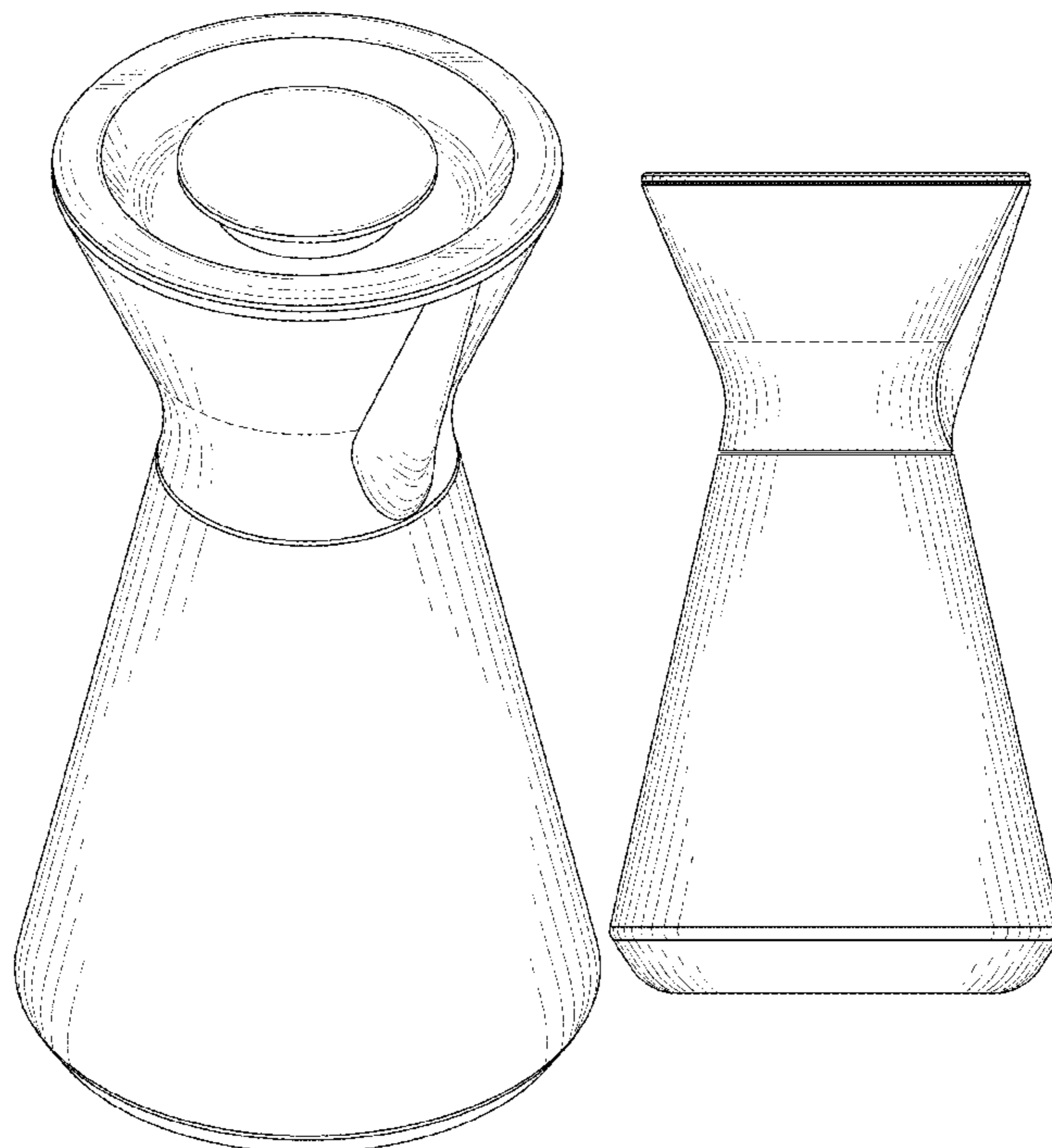


FIG. 1

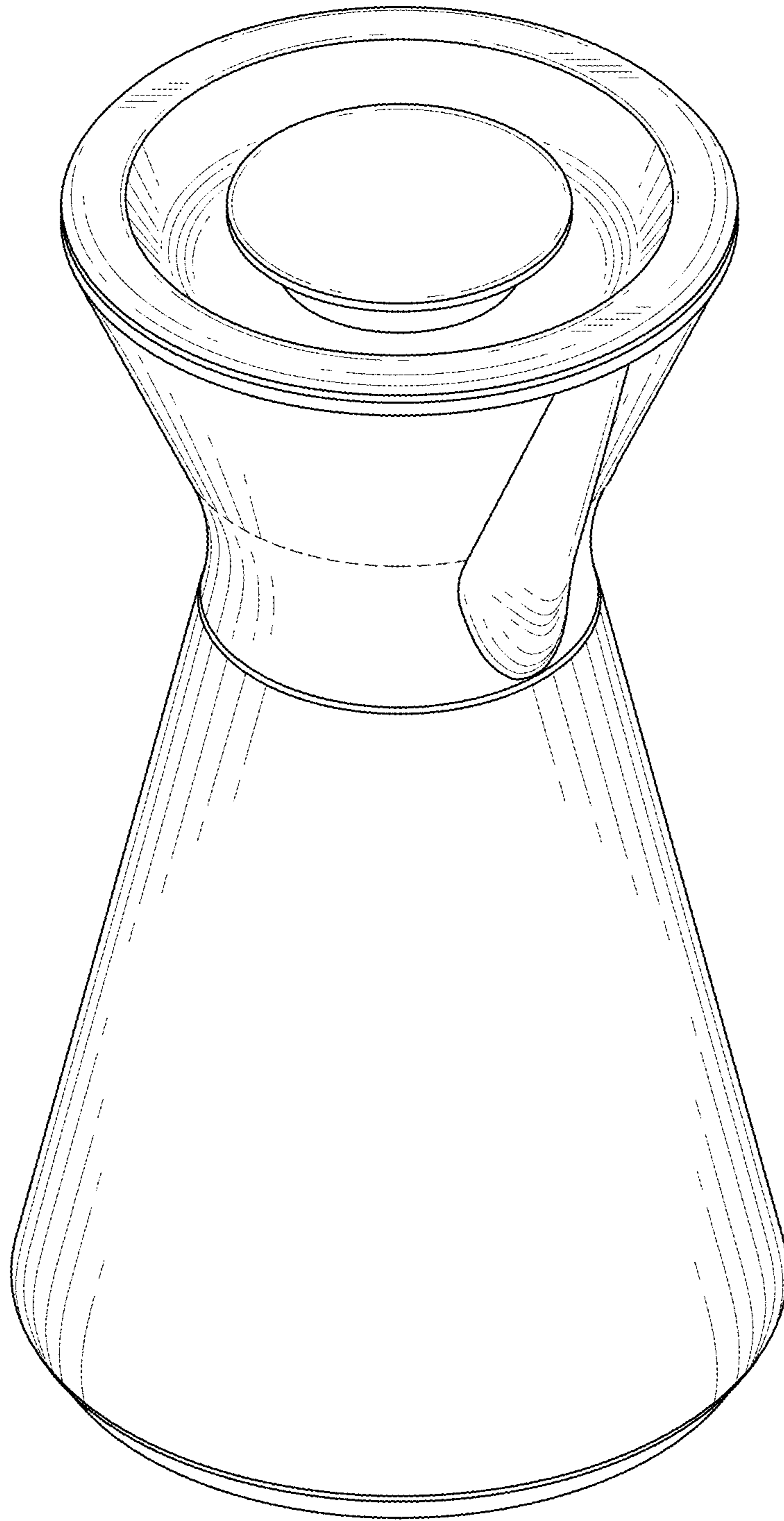


FIG. 4

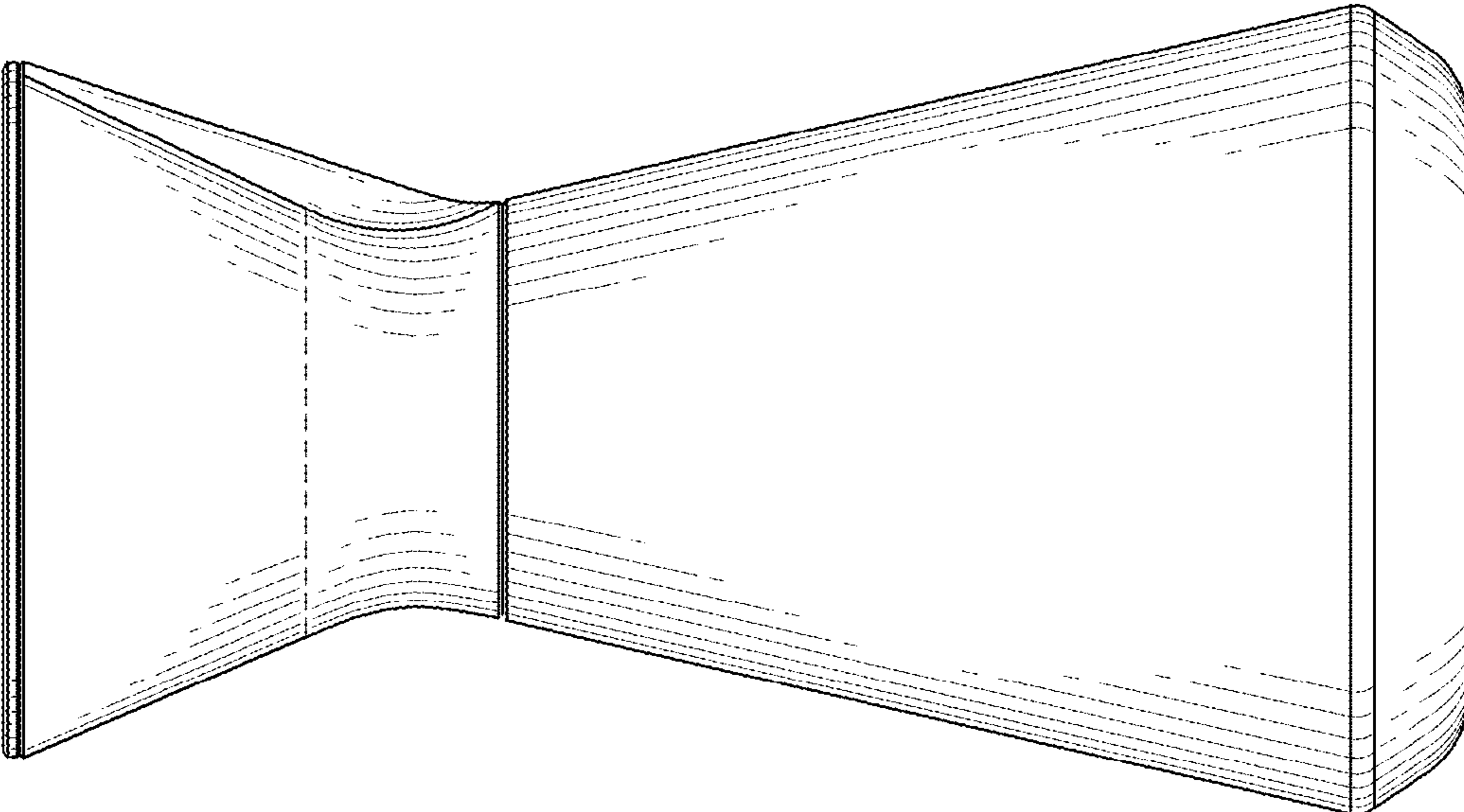


FIG. 3

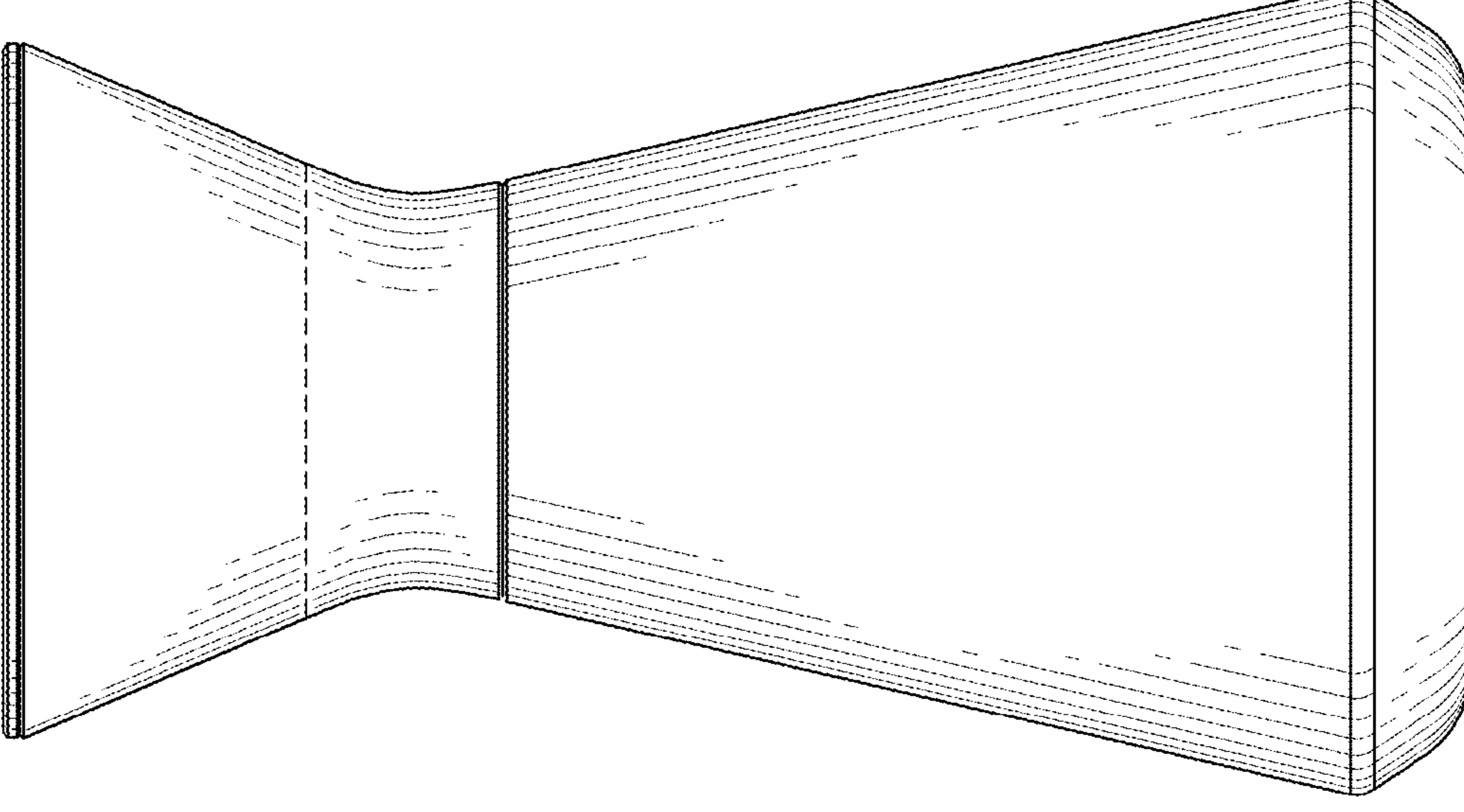


FIG. 2

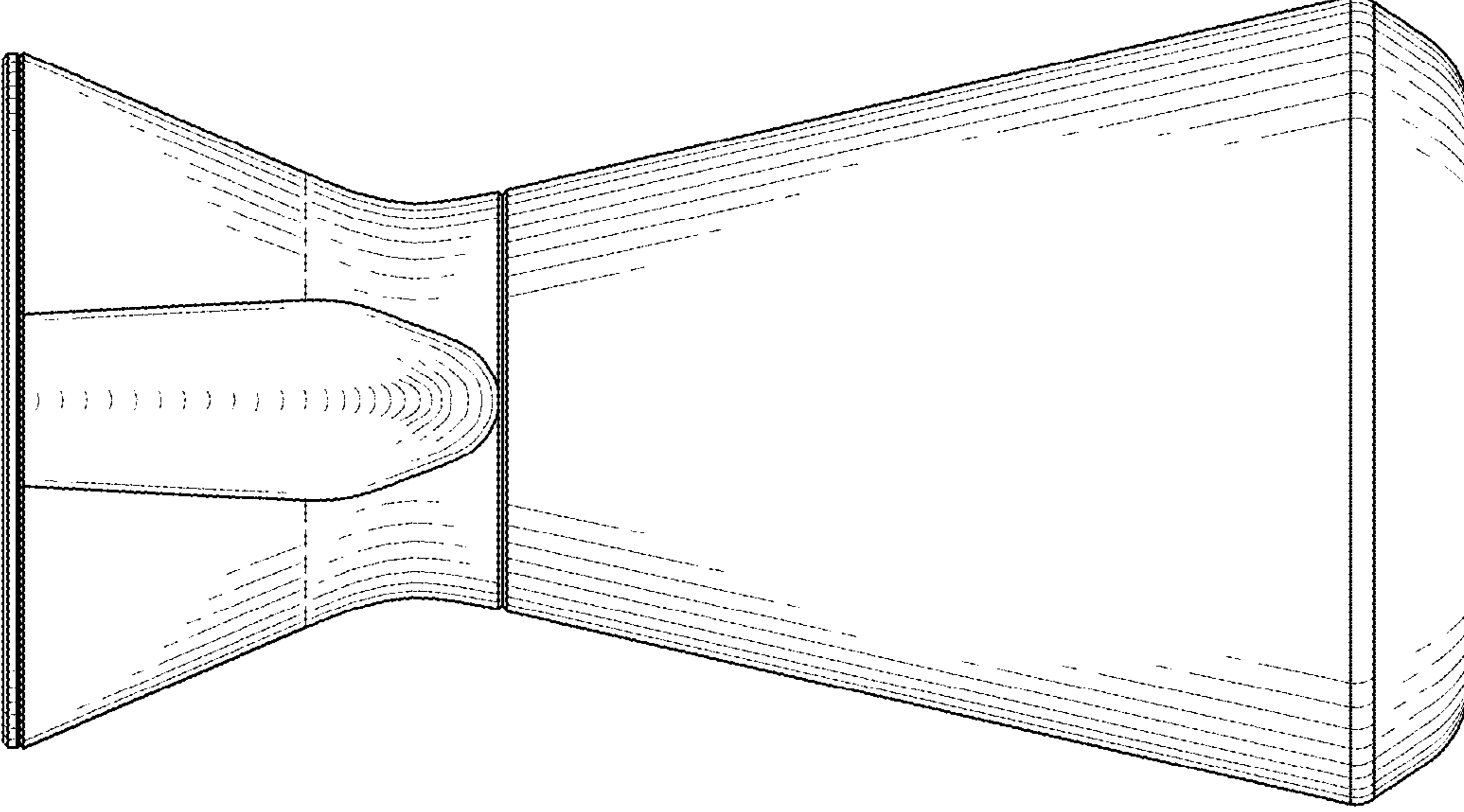


FIG. 5

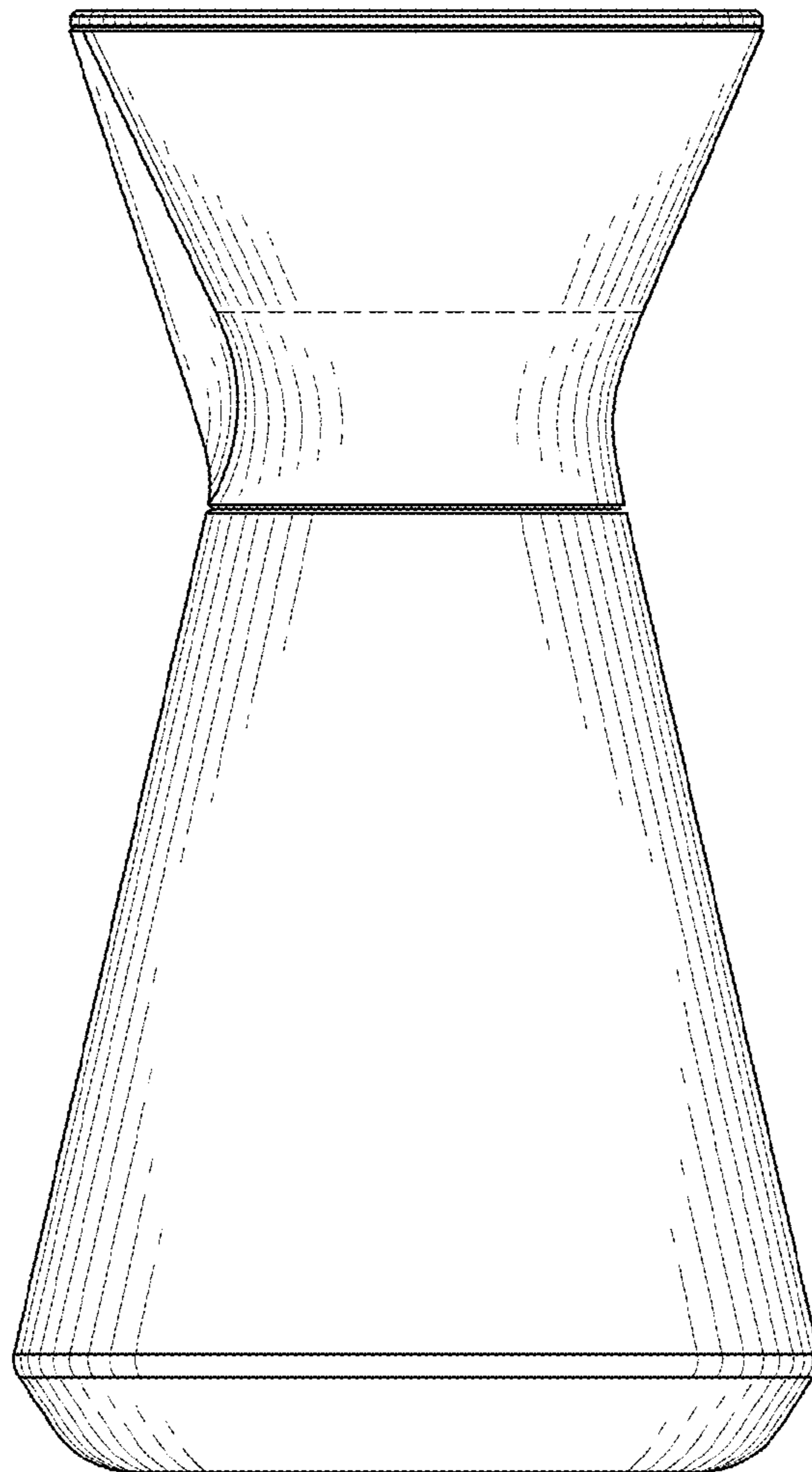


FIG. 6

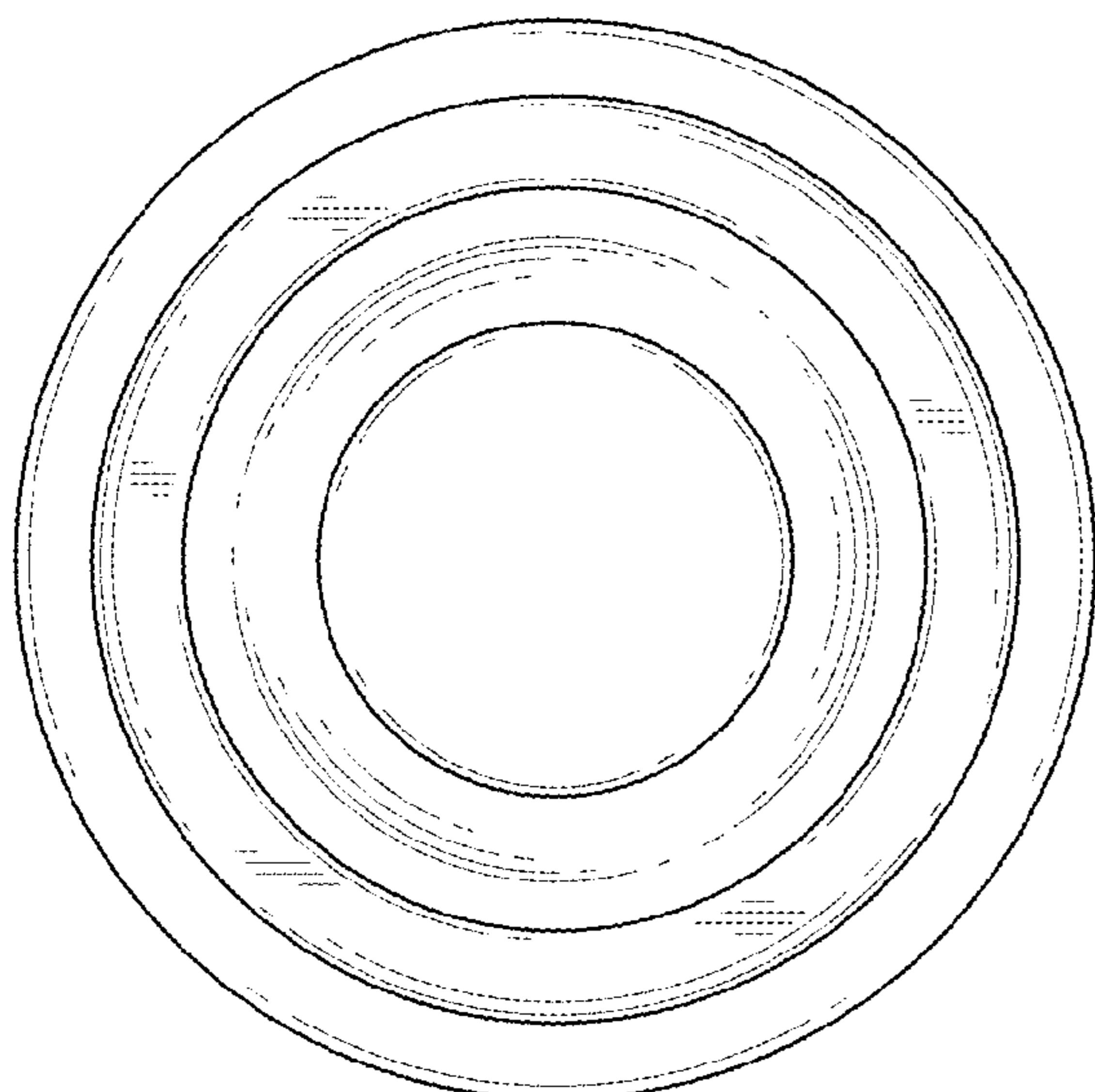


FIG. 7

