



US00D887764S

(12) **United States Design Patent**  
**Henkel**

(10) **Patent No.:** **US D887,764 S**  
(45) **Date of Patent:** **\*\* Jun. 23, 2020**

- (54) **COFFEE CARAFE**
- (71) Applicant: **MiiR Holdings, LLC**, Seattle, WA (US)
- (72) Inventor: **Geoff Henkel**, Seattle, WA (US)
- (73) Assignee: **MiiR Holdings, LLC**, Seattle, WA (US)
- (\*\*) Term: **15 Years**
- (21) Appl. No.: **29/677,472**
- (22) Filed: **Jan. 21, 2019**
- (51) **LOC (12) Cl.** ..... **07-01**
- (52) **U.S. Cl.**  
USPC ..... **D7/316; D7/598; D7/397; D7/399**
- (58) **Field of Classification Search**  
USPC ..... **D7/507, 397, 399, 400, 309, 300, 505, D7/316-319, 598, 321, 608; 99/295; D9/545**  
CPC .. **A47J 31/20; A47J 31/18; A47J 31/16; A47J 31/005; A47J 31/0615**  
See application file for complete search history.

- D621,648 S \* 8/2010 Lown ..... D7/300.1
- D654,869 S \* 2/2012 Konz ..... D13/110
- D661,939 S \* 6/2012 Kern ..... D7/316
- D684,312 S \* 6/2013 Badawi ..... D27/162
- D751,331 S \* 3/2016 Rashid ..... D7/316
- D789,134 S \* 6/2017 Lin ..... D7/316
- D864,645 S \* 10/2019 Perez ..... D7/316
- 2011/0198352 A1\* 8/2011 Lown ..... A47G 19/12  
220/254.8
- 2015/0374151 A1\* 12/2015 Lin ..... A47G 19/12  
222/545

\* cited by examiner

*Primary Examiner* — Marianne N Pandozzi  
(74) *Attorney, Agent, or Firm* — Janeway Patent Law, PLLC; John M. Janeway

(57) **CLAIM**

The ornamental design for a coffee carafe, as shown and described.

**DESCRIPTION**

FIG. 1 is a perspective view of a coffee carafe showing my new design, according to the invention.  
FIG. 2 is a front, elevation view of the coffee carafe.  
FIG. 3 is a rear, elevation view of the coffee carafe.  
FIG. 4 is a right side, elevation view of the coffee carafe.  
FIG. 5 is a left side, elevation view of the coffee carafe.  
FIG. 6 is a top, plan view of the coffee carafe; and,  
FIG. 7 is a bottom, plan view of the coffee carafe.  
The broken lines in FIGS. 1-7 show other structure of the coffee carafe, and do not form a part of the claimed design.

**1 Claim, 3 Drawing Sheets**

(56) **References Cited**

**U.S. PATENT DOCUMENTS**

- 3,536,496 A \* 10/1970 Paoloni ..... A23F 5/262  
426/397
- D365,721 S \* 1/1996 Huang ..... D7/317
- 5,509,583 A \* 4/1996 Dolson ..... B67D 3/0035  
222/185.1
- D409,051 S \* 5/1999 Huang ..... D7/598
- D471,767 S \* 3/2003 Ucar Cortes ..... D7/598
- D609,571 S \* 2/2010 Butler ..... D9/504

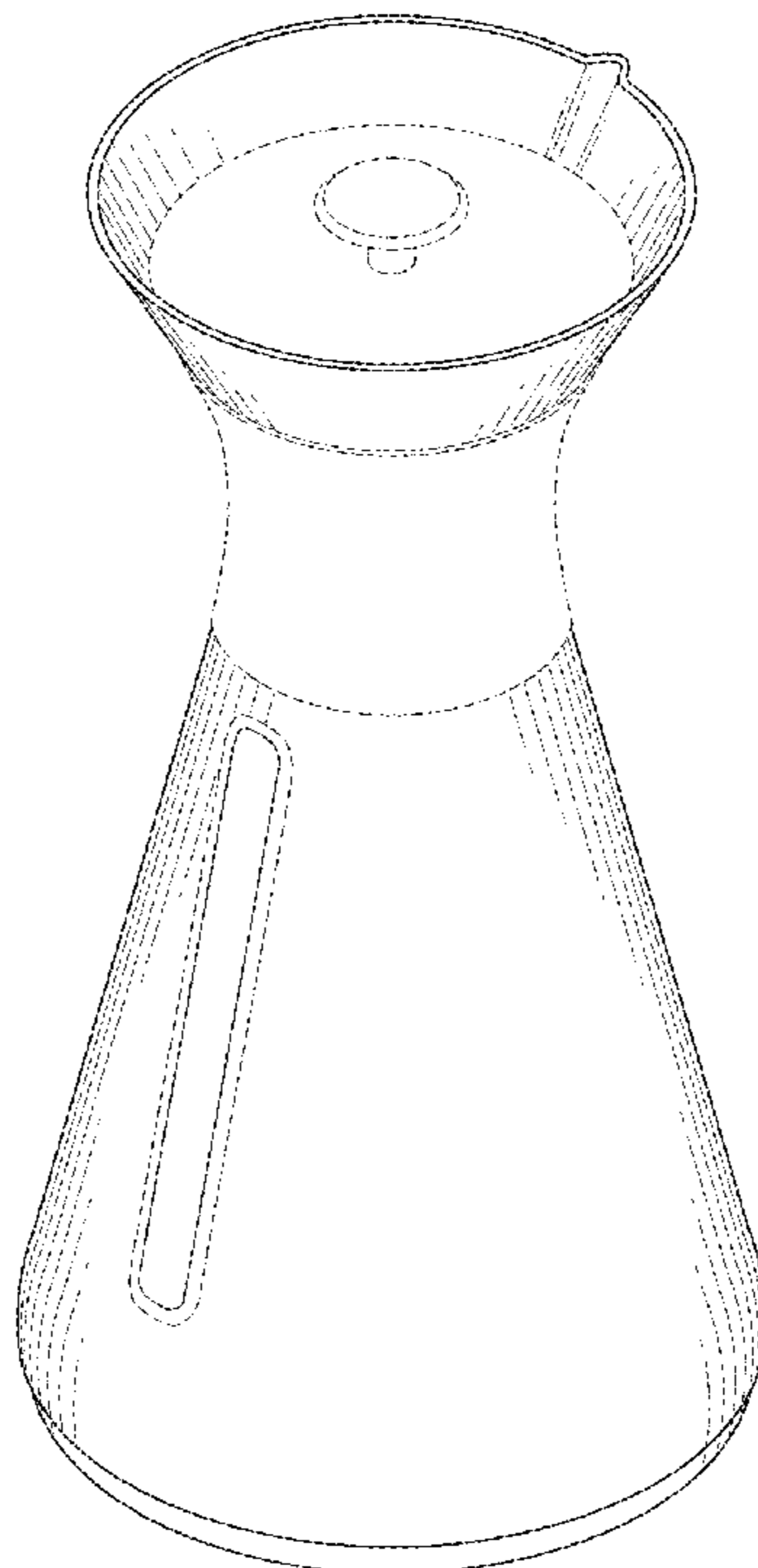


FIG. 1

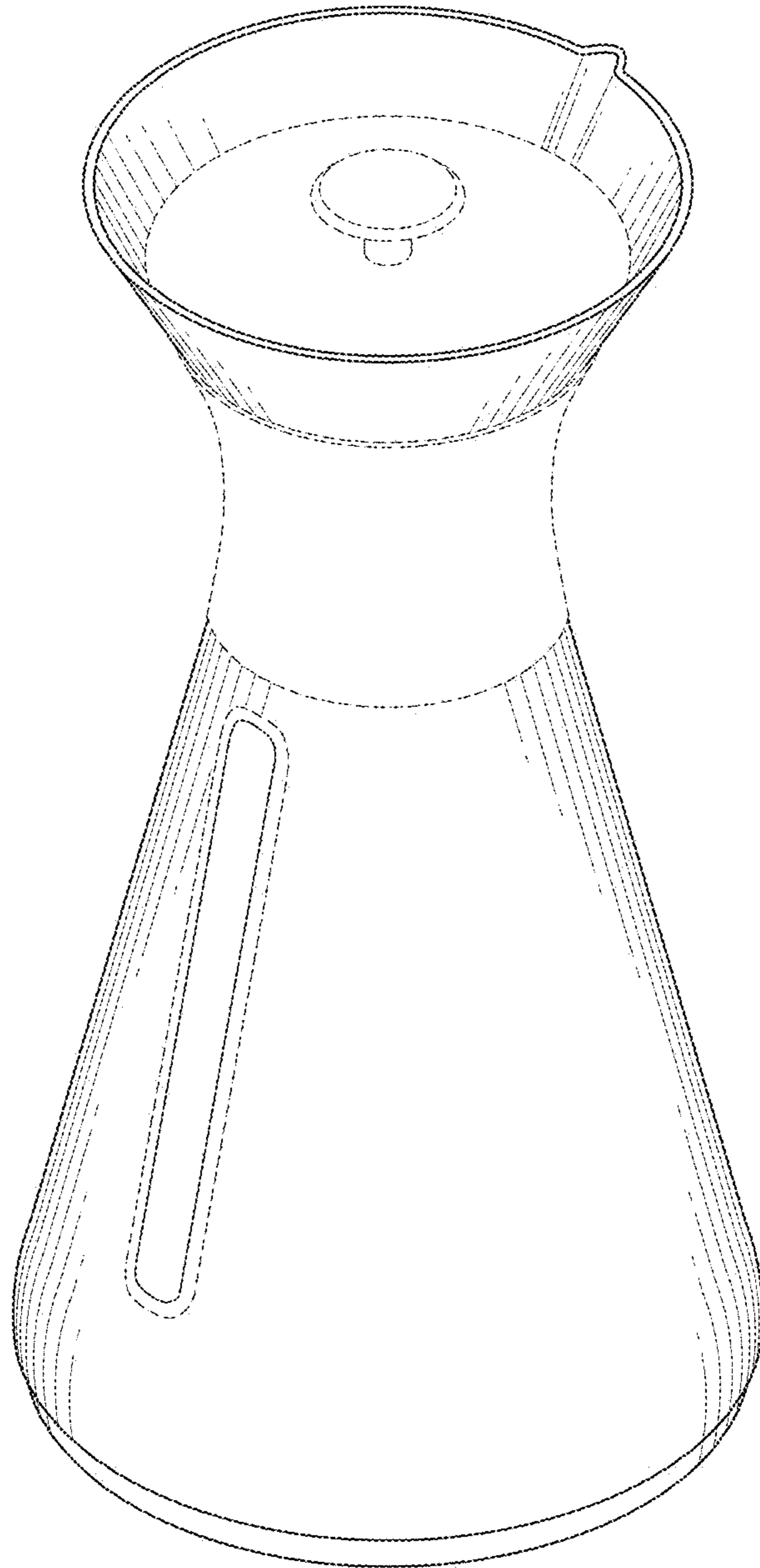


FIG. 4

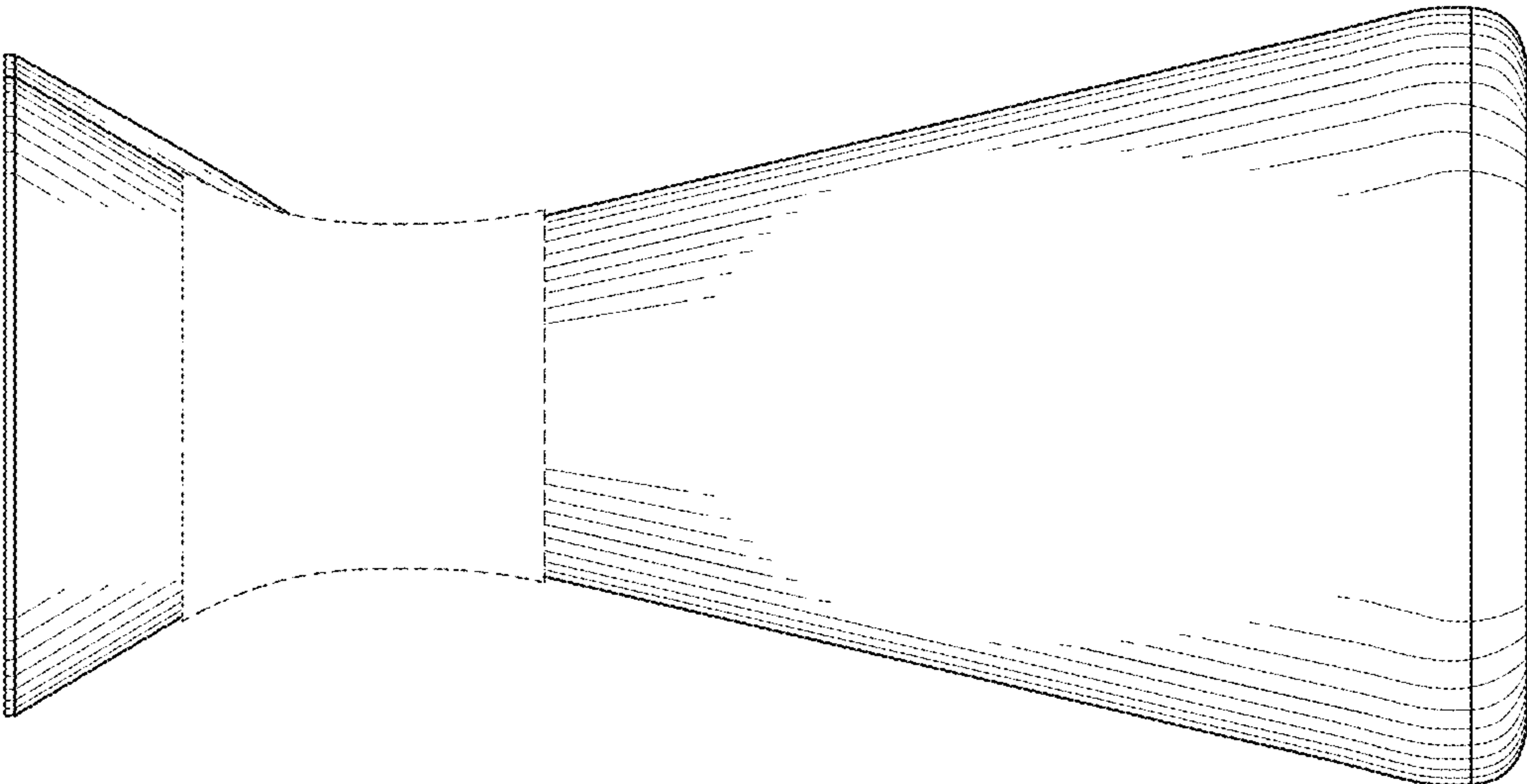


FIG. 3

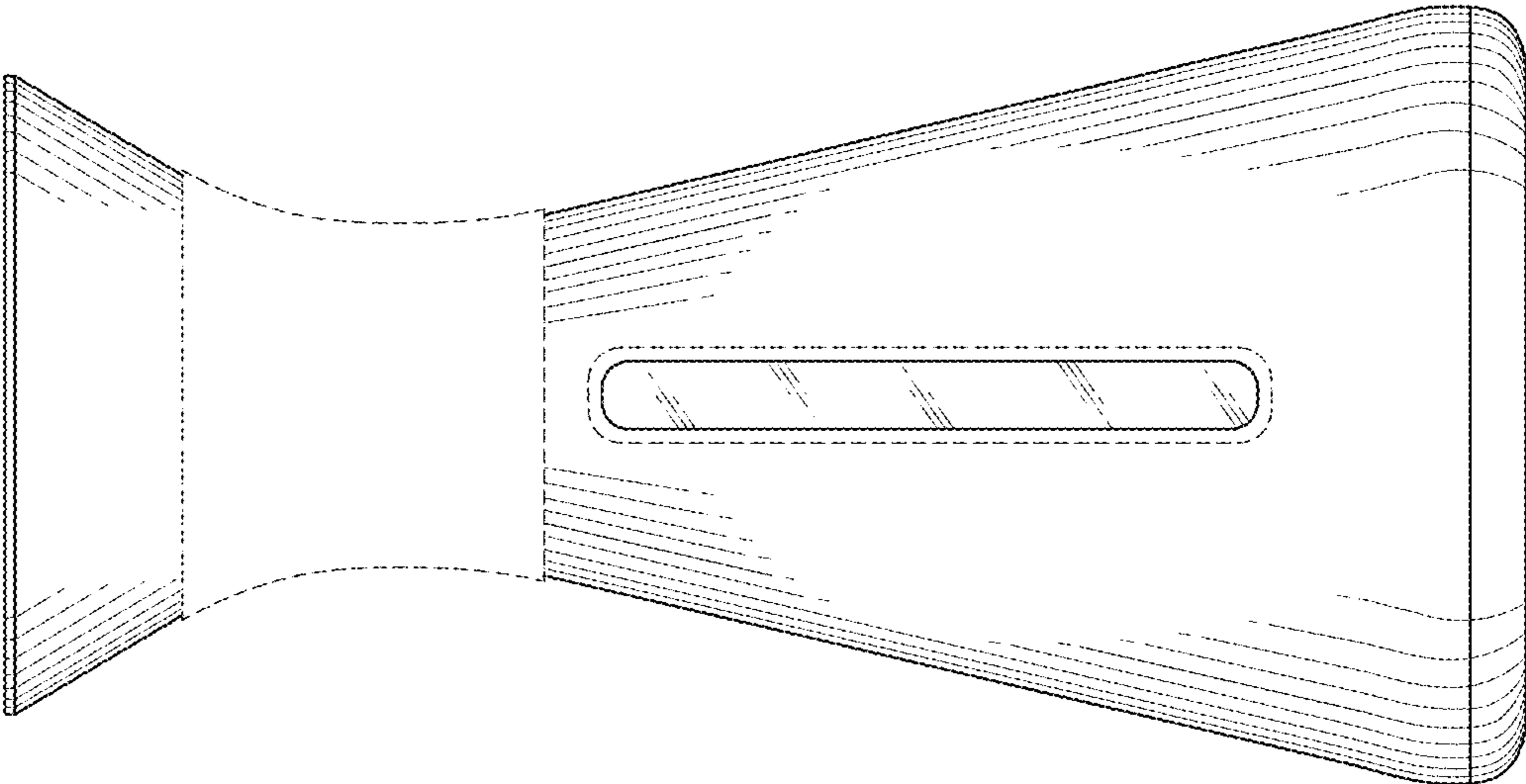


FIG. 2

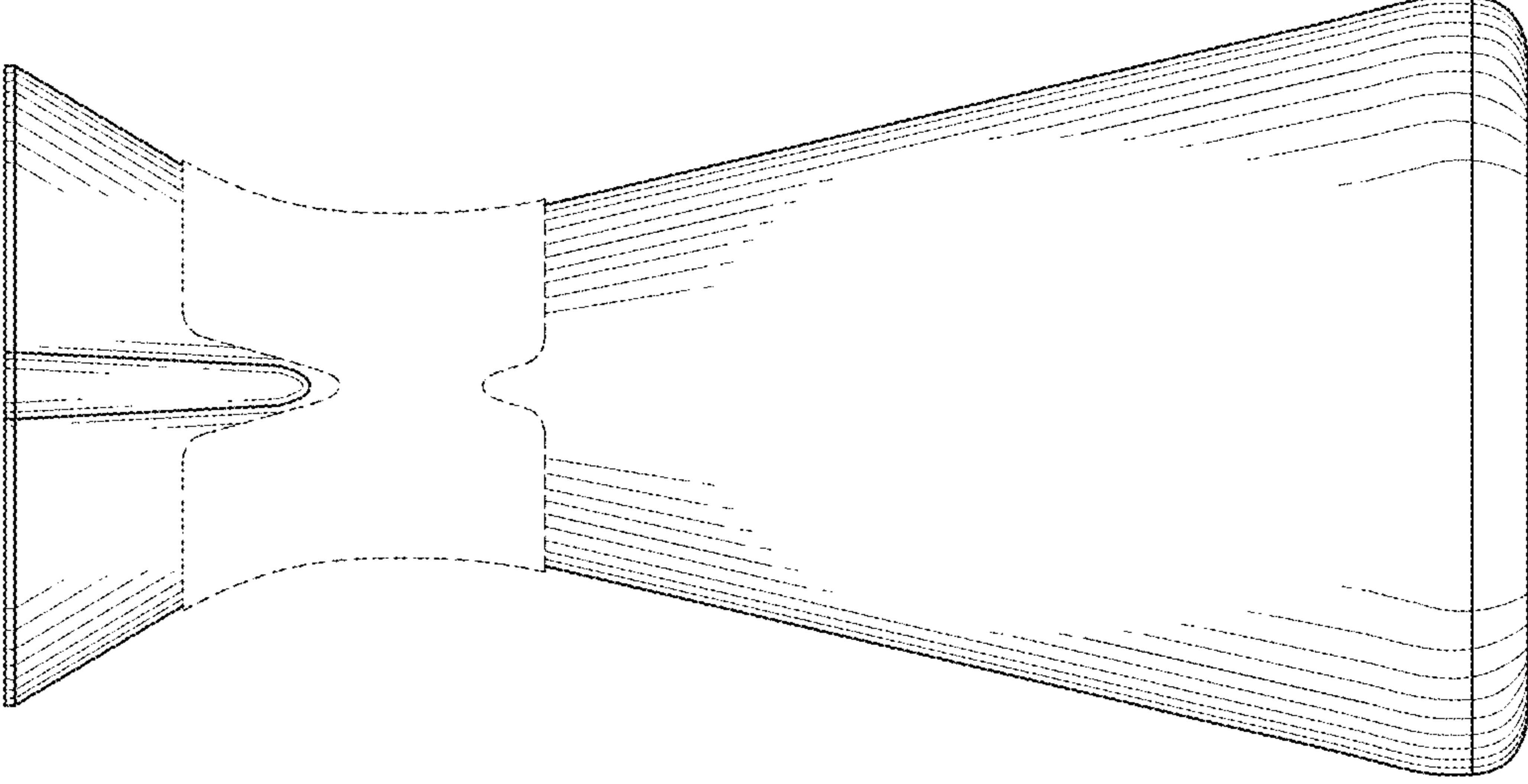


FIG. 5

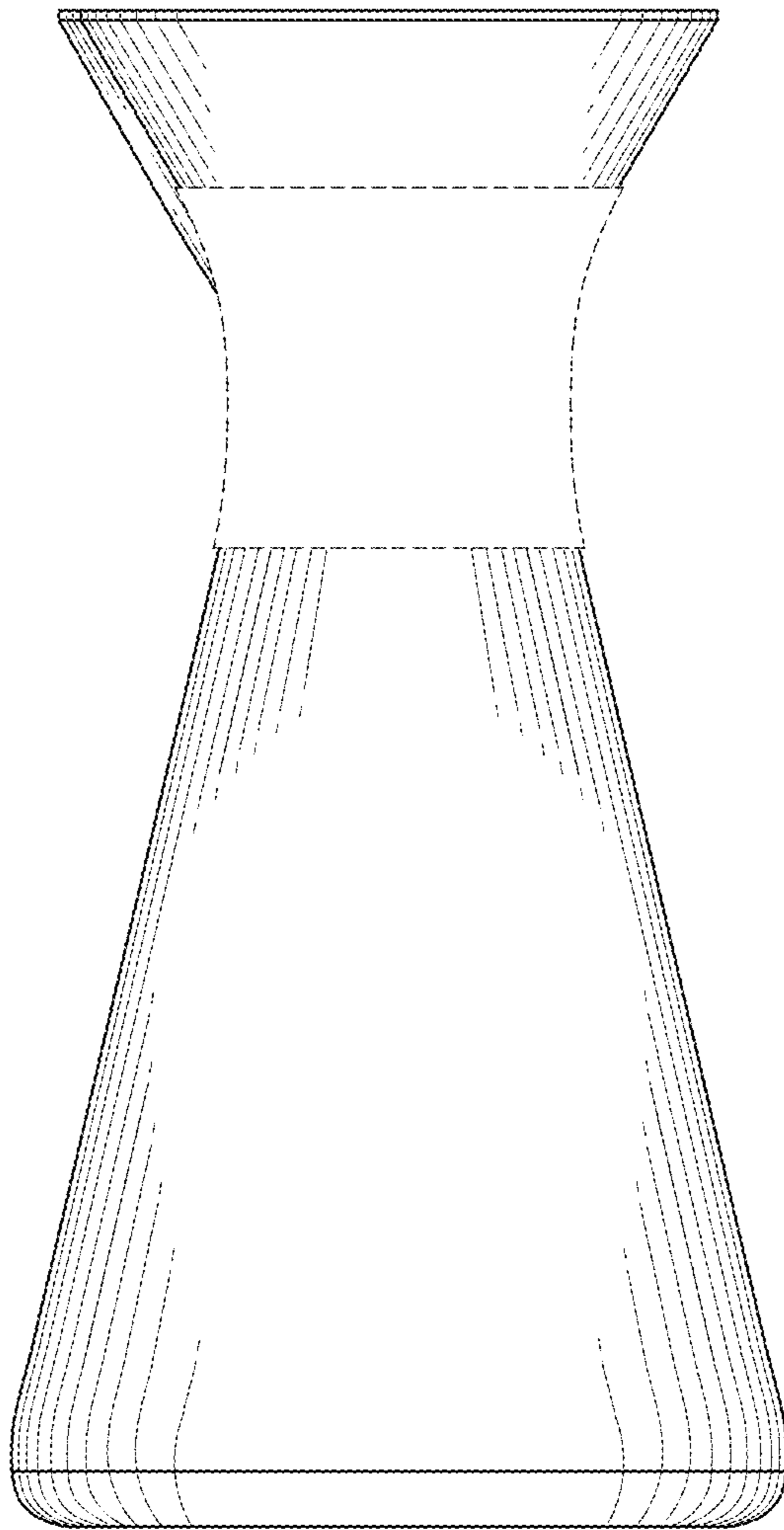


FIG. 6

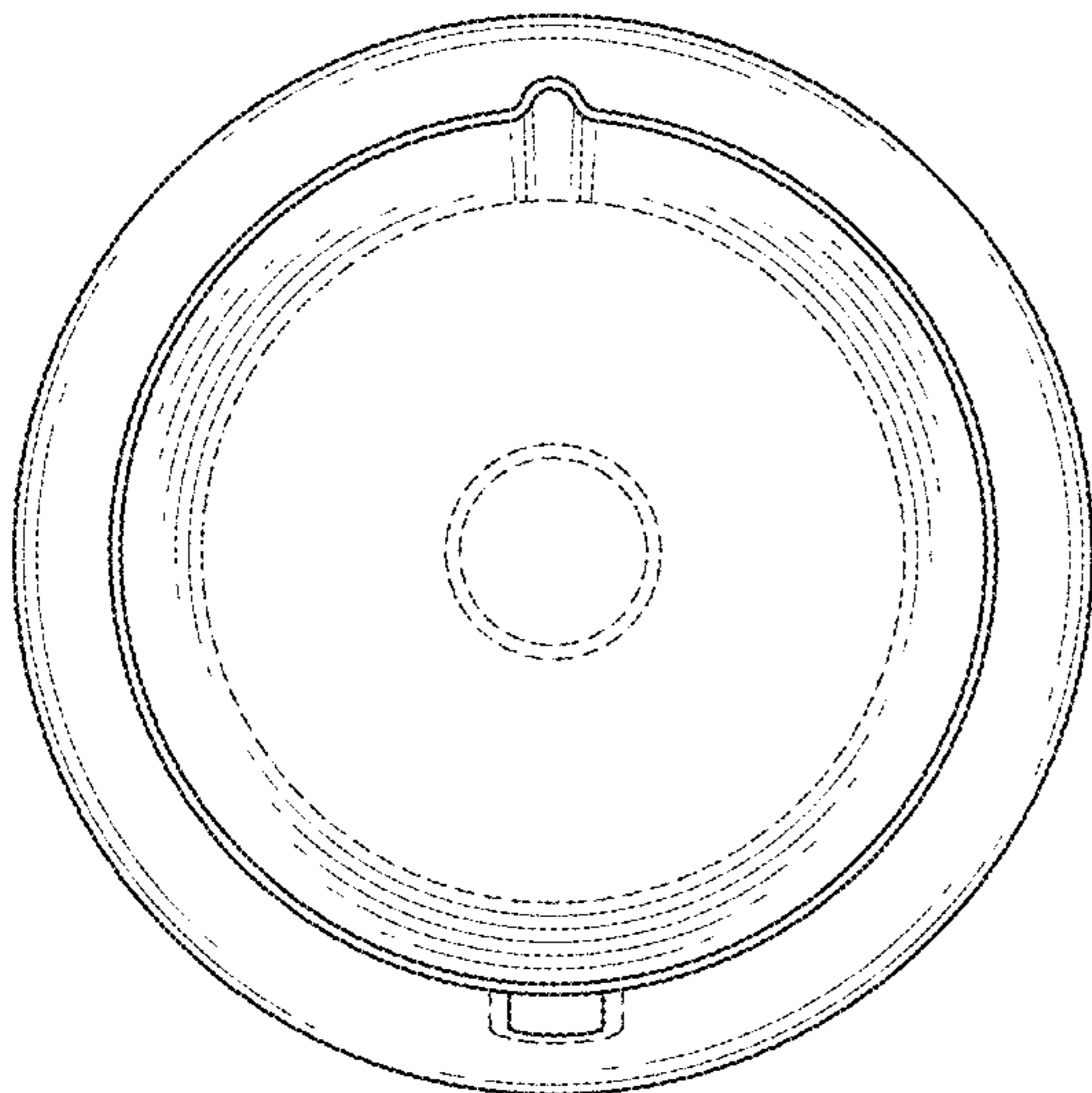


FIG. 7

