



US00D887763S

(12) **United States Design Patent**  
**Jo et al.**

(10) **Patent No.:** **US D887,763 S**  
(45) **Date of Patent:** **\*\* Jun. 23, 2020**

(54) **BUILT IN HOUSEHOLD COFFEE MACHINE**

OTHER PUBLICATIONS

- (71) Applicant: **LG ELECTRONICS INC.**, Seoul (KR)
- (72) Inventors: **Yuna Jo**, Seoul (KR); **Sooyeon Kim**, Seoul (KR); **Hangbok Lee**, Seoul (KR); **Hanjin Jung**, Seoul (KR)
- (73) Assignee: **LG Electronics Inc.**, Seoul (KR)
- (\*\*) Term: **15 Years**

Screenshot of Fisher&Paykel Contemporary 24" Black Glass Built-In Coffee Maker. © 2019; one page. Found online Oct. 23, 2019 at <https://www.goedekers.com/Fisher-Paykel-EB24DSXB1.html> (Year: 2019).\*

\* cited by examiner

*Primary Examiner* — Robert M. Spear

(74) *Attorney, Agent, or Firm* — Birch, Stewart, Kolasch & Birch, LLP

- (21) Appl. No.: **35/506,587**
- (22) Filed: **Jul. 31, 2018**

(57) **CLAIM**

The ornamental design for a built-in household coffee machine, as shown and described.

(80) **Hague Agreement Data**

Int. Filing Date: **Jul. 31, 2018**  
 Int. Reg. No.: **DM/102453**  
 Int. Reg. Date: **Jul. 31, 2018**  
 Int. Reg. Pub. Date: **Feb. 1, 2019**

**DESCRIPTION**

- (51) **LOC (12) Cl.** ..... **07-01**
- (52) **U.S. Cl.**  
USPC ..... **D7/309**
- (58) **Field of Classification Search**  
USPC ..... D7/305, 307, 308, 309, 310, 311, 347, D7/397  
CPC .... A47J 31/0663; A47J 31/42; A47J 2201/00; A47J 31/0657  
See application file for complete search history.

- 1. Built-in household coffee machine
- 1.1 : Perspective
- 1.2 : Perspective view 2
- 1.3 : Perspective view 3
- 1.4 : Perspective view 4
- 1.5 : Front
- 1.6 : Reference view

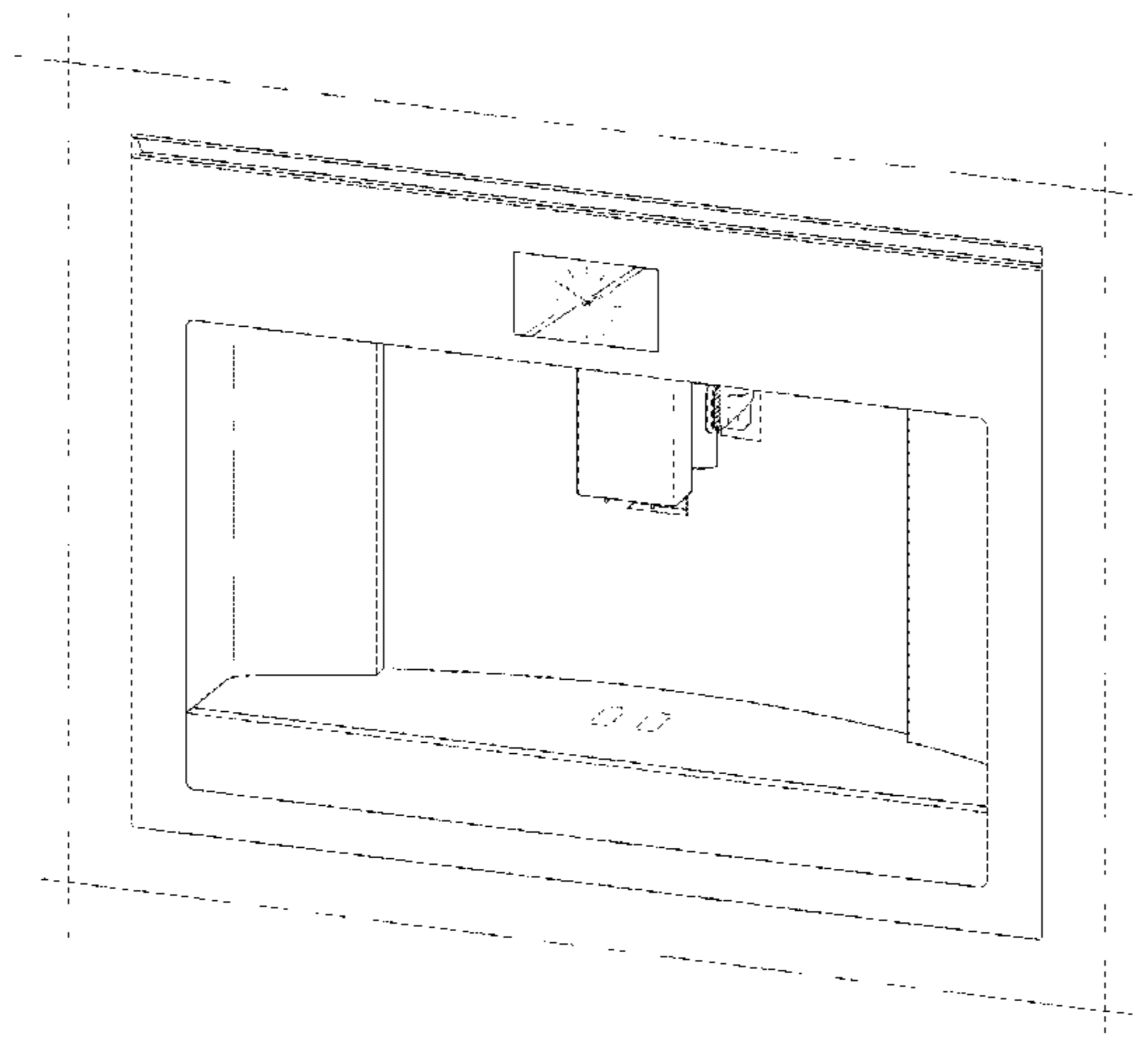
The evenly-spaced broken lines depict portions of the built-in household coffee machine that form no part of the claimed design; the dash-dot-dash broken lines define the boundary of the claimed design and form no part thereof; the dash-dot-dot-dash broken line in reproduction 1.6 is included to show a partially enlarged view only and forms no part of the claimed design; reproduction 1.1 is a top left perspective view of the built-in household coffee machine; reproduction 1.2 is a top right perspective view thereof; reproduction 1.3 is a bottom left perspective view thereof; reproduction 1.4 is a bottom right perspective view thereof; reproduction 1.5 is a front view thereof; and reproduction 1.6 is a reference view in which the claimed design is installed on an unclaimed wall; this design is for a built-in household coffee machine made of glass, synthetic resin and metal.

(56) **References Cited**

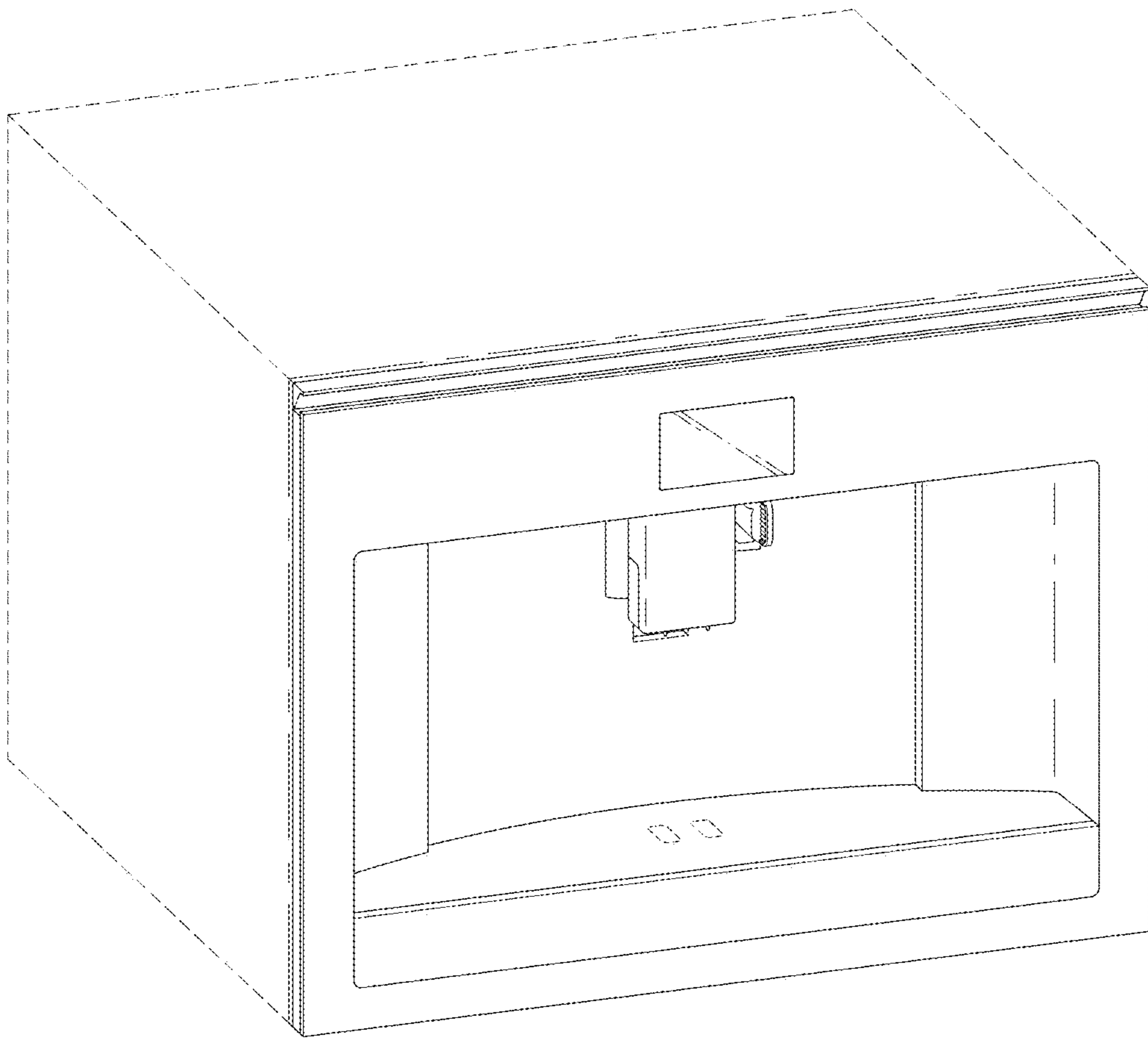
U.S. PATENT DOCUMENTS

D336,002 S *	6/1993	Balzano	.....	D7/309
D431,749 S *	10/2000	Cahen	.....	D7/309
D495,189 S *	8/2004	Cahen	.....	D7/309
D557,547 S *	12/2007	Knoell	.....	D7/308
D568,913 S *	5/2008	Suh	.....	D15/89
D586,603 S *	2/2009	Bonin	.....	D7/309
D707,486 S *	6/2014	Borjesson	.....	D7/309
D805,831 S *	12/2017	Sadtler	.....	D7/309
D862,146 S *	10/2019	Lim	.....	D7/309

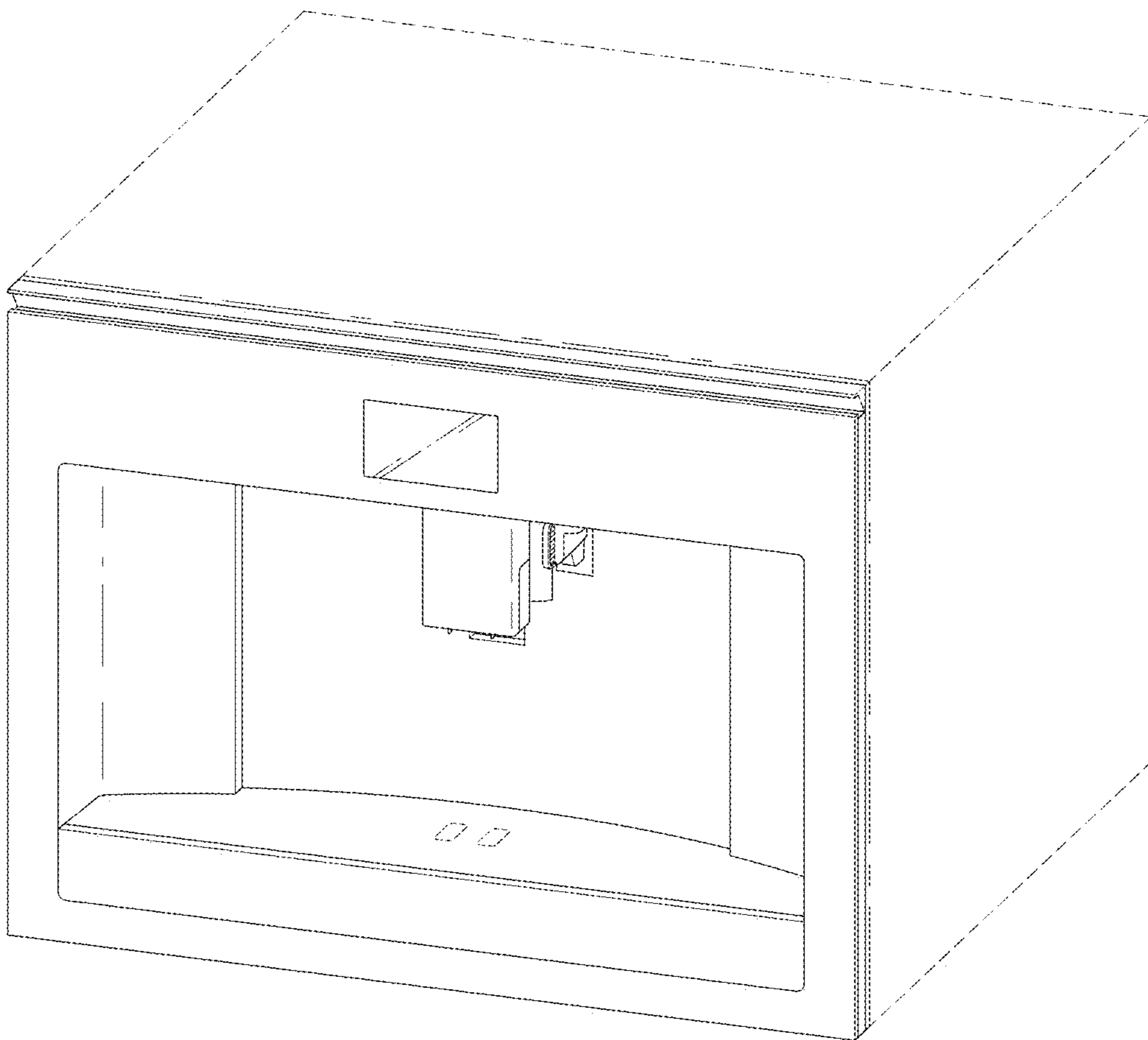
**1 Claim, 6 Drawing Sheets**



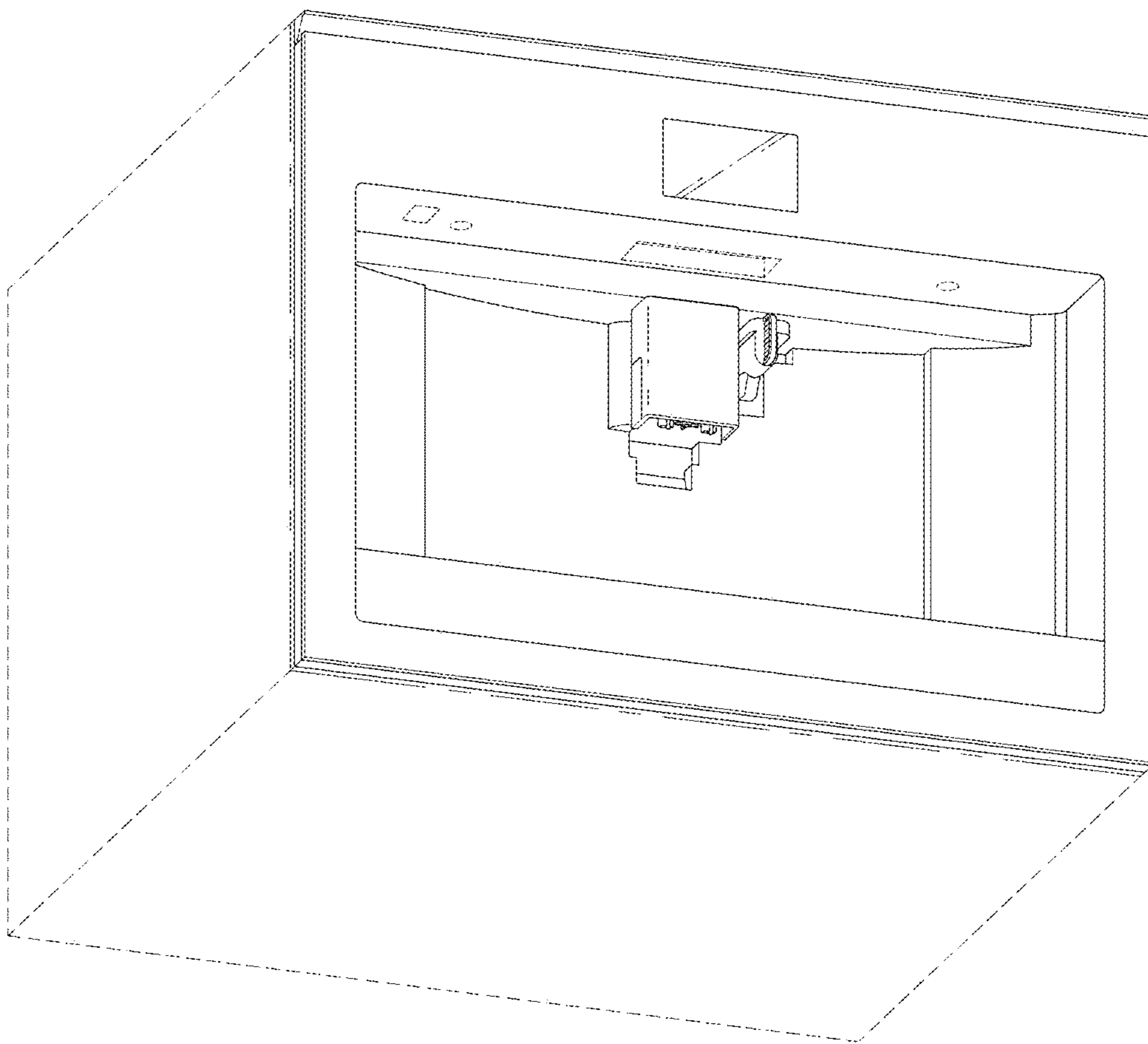
1.1



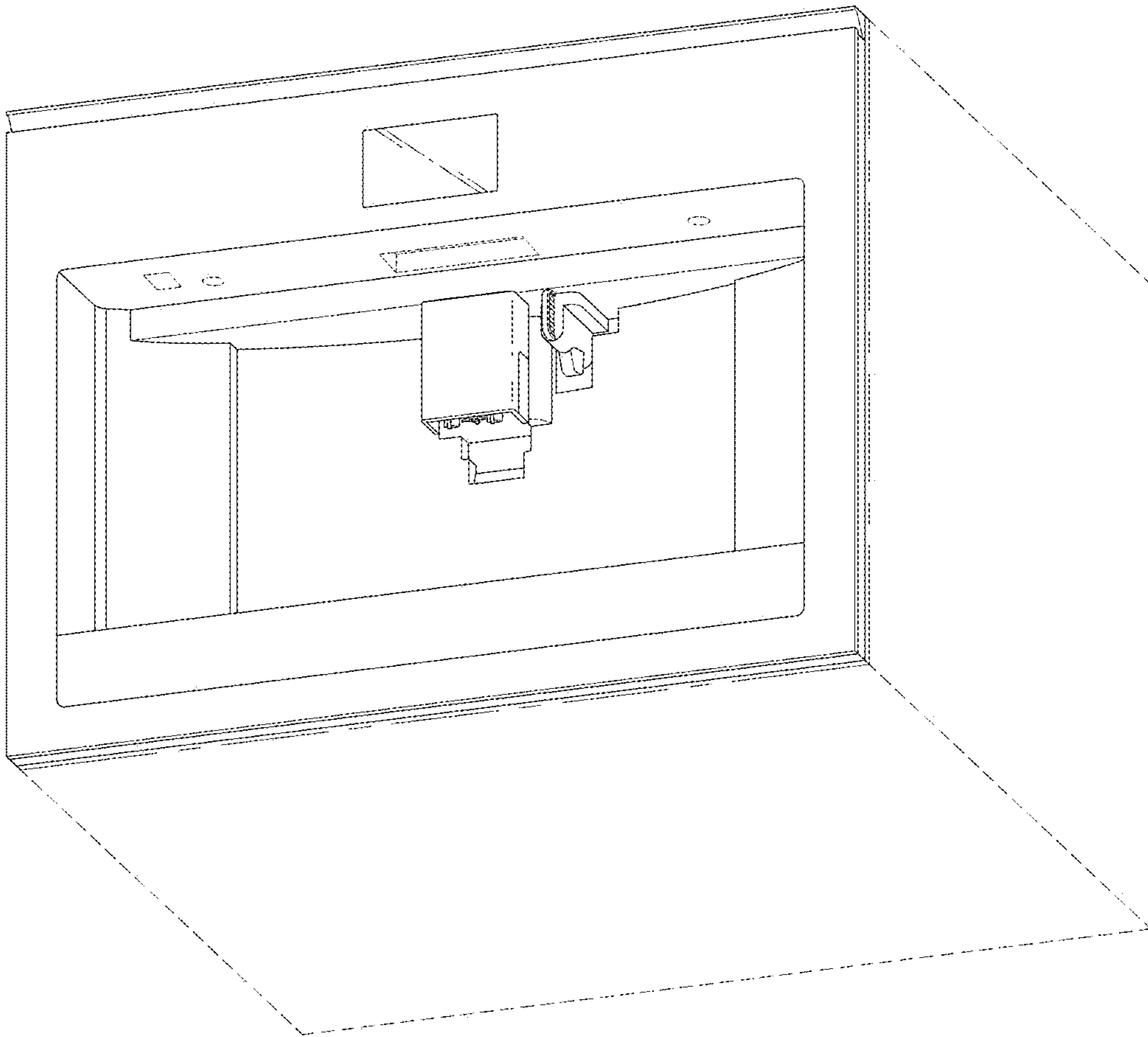
1.2



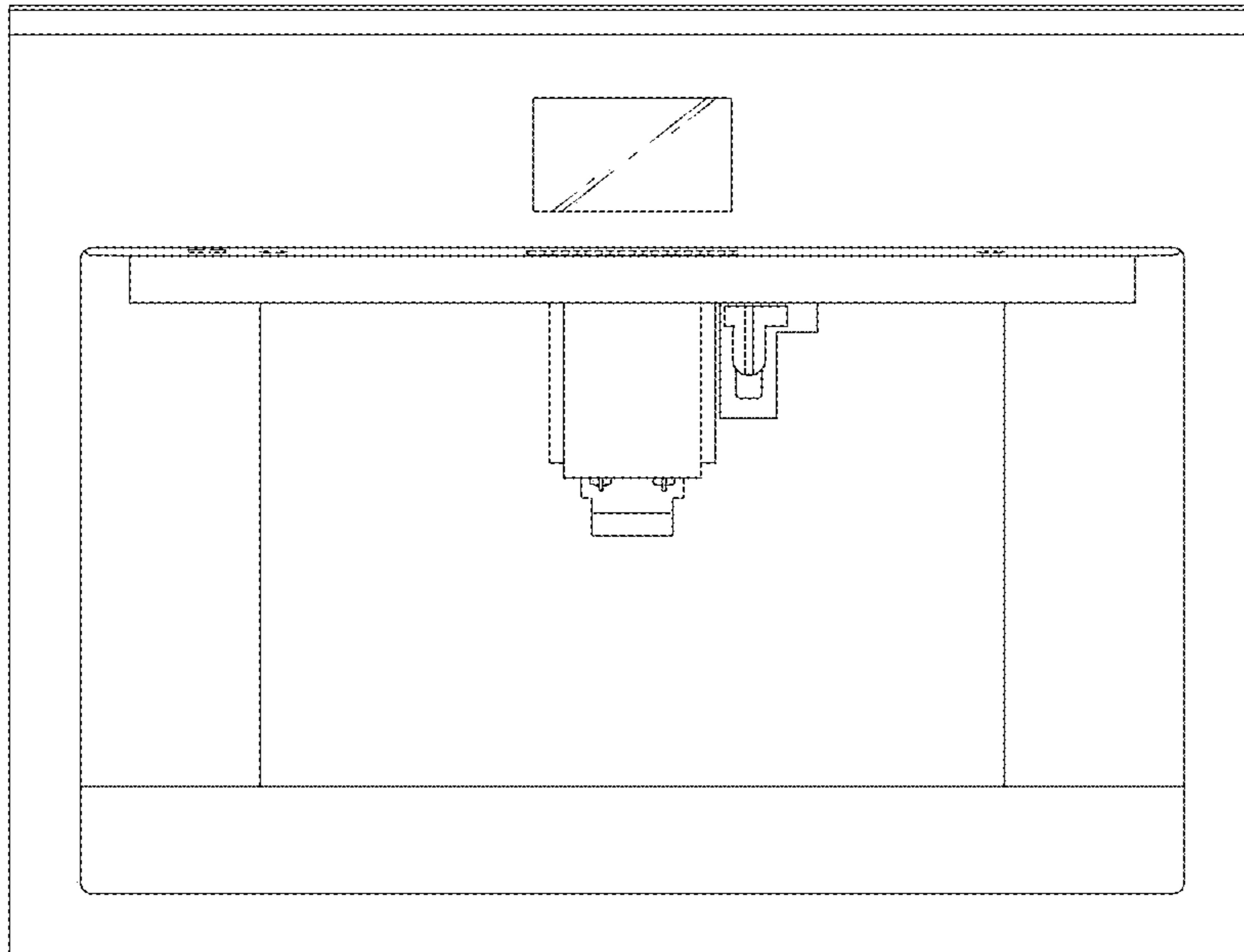
1.3



1.4



1.5



1.6

