



US00D887761S

(12) **United States Design Patent**
Xu

(10) **Patent No.:** **US D887,761 S**
(45) **Date of Patent:** **** Jun. 23, 2020**

- (54) **DECANTER**
- (71) Applicant: **Charles Xu**, Zhejiang (CN)
- (72) Inventor: **Charles Xu**, Zhejiang (CN)
- (73) Assignee: **Hangzhou Hooloo Industrial Co., Ltd.**, Hangzhou, Zhejiang Province (CN)
- (**) Term: **15 Years**
- (21) Appl. No.: **29/672,184**
- (22) Filed: **Dec. 4, 2018**
- (51) **LOC (12) Cl.** **07-01**
- (52) **U.S. Cl.**
USPC **D7/300.1; D7/300; D23/207; D27/162; D24/224**
- (58) **Field of Classification Search**
USPC **D7/598, 300.1, 300; D24/224, 222; D23/207, 209; D27/162**
CPC .. **B01D 5/0063; A47G 19/2266; A47G 21/18; B65D 23/104; B67D 3/0009**
See application file for complete search history.

(56) **References Cited**
U.S. PATENT DOCUMENTS

- D368,325 S * 3/1996 Heine D27/162
- 5,711,857 A * 1/1998 Armstrong B01D 5/0063 202/235

- RE36,105 E * 2/1999 Newton D27/162
- RE36,595 E * 3/2000 Newman A24F 1/30 D27/162
- D597,780 S * 8/2009 Desrochers D7/301
- D622,099 S * 8/2010 Pike D27/162
- D728,854 S * 5/2015 Siniakov D27/162
- D742,587 S * 11/2015 Masri D27/162
- D776,971 S * 1/2017 Crowell D7/307
- D836,978 S * 1/2019 Sonnichsen D7/397
- D838,410 S * 1/2019 Reimann D27/162
- D854,740 S * 7/2019 Opp D27/162
- D875,881 S * 2/2020 Kremerman D23/207
- 2006/0107964 A1 * 5/2006 Ohanesian A24F 1/30 131/173
- 2006/0186128 A1 * 8/2006 Summers A47G 19/2266 220/705

* cited by examiner

Primary Examiner — Marianne N Pandozzi

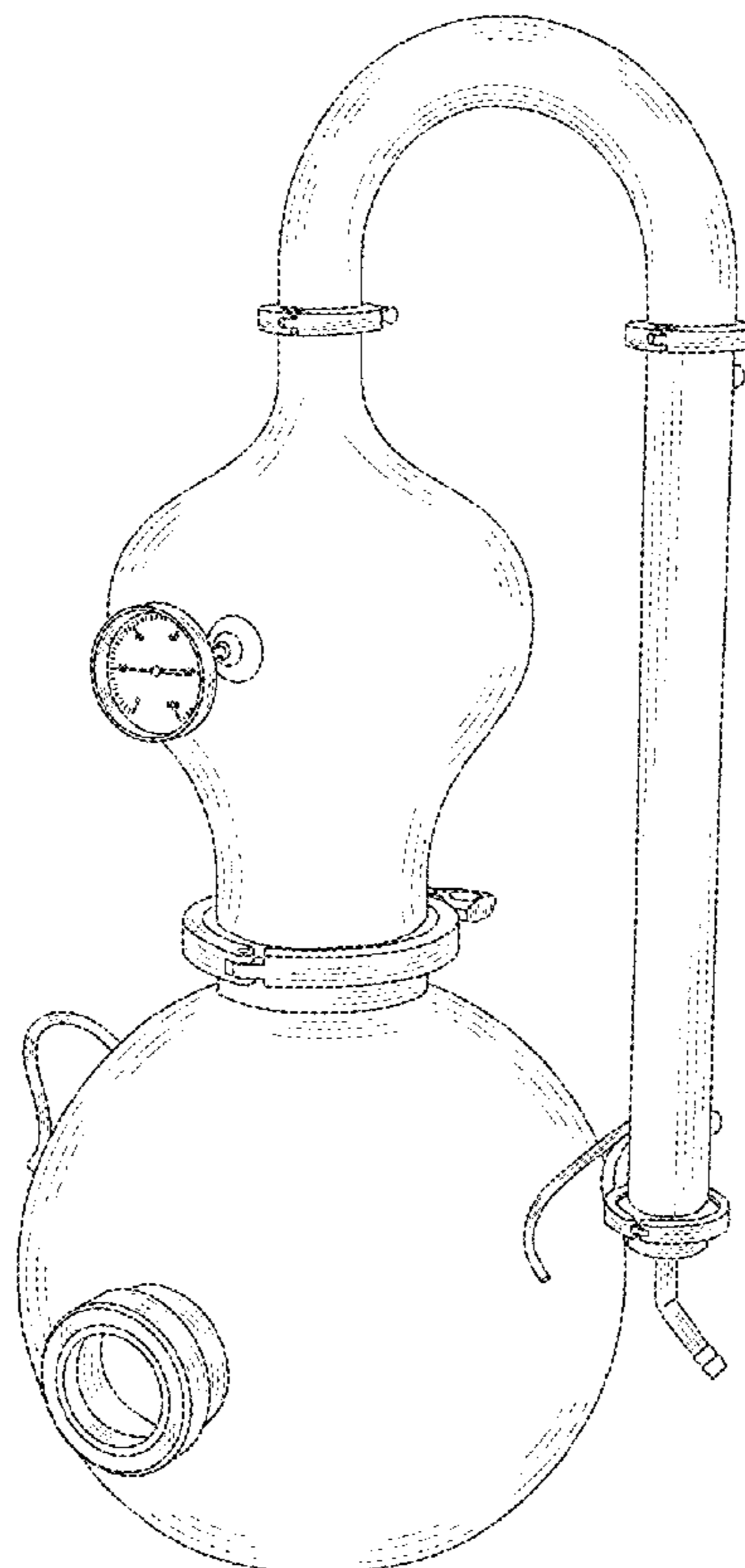
(57) **CLAIM**

The ornamental design for a decanter, as shown and described.

DESCRIPTION

FIG. 1 is a perspective view of a decanter showing my new design;
FIG. 2 is a front elevation view thereof;
FIG. 3 is a rear elevation view thereof;
FIG. 4 is a left side elevation view thereof;
FIG. 5 is a right side elevation view thereof;
FIG. 6 is a top plan view thereof; and,
FIG. 7 is a bottom plan view thereof.

1 Claim, 7 Drawing Sheets



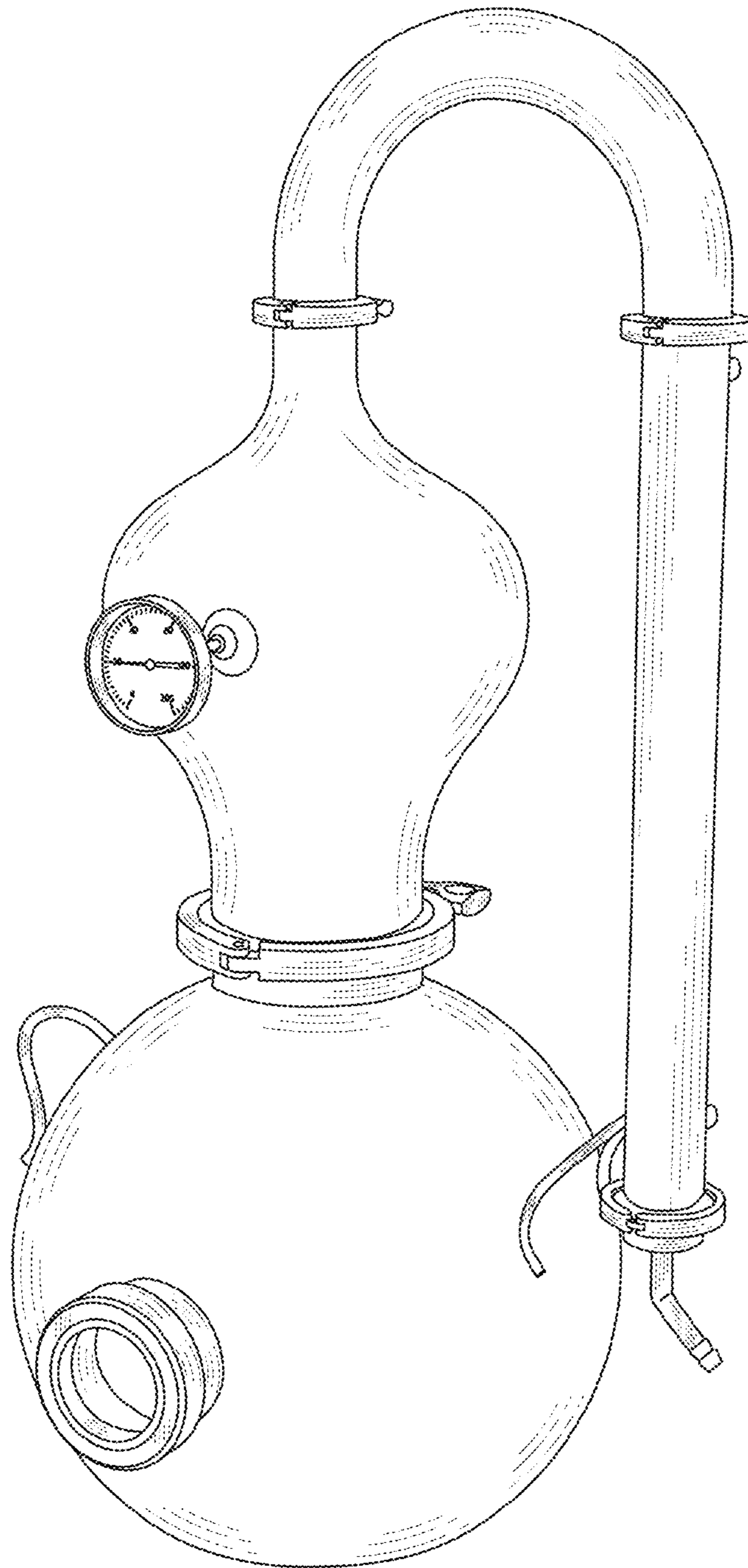


FIG.1

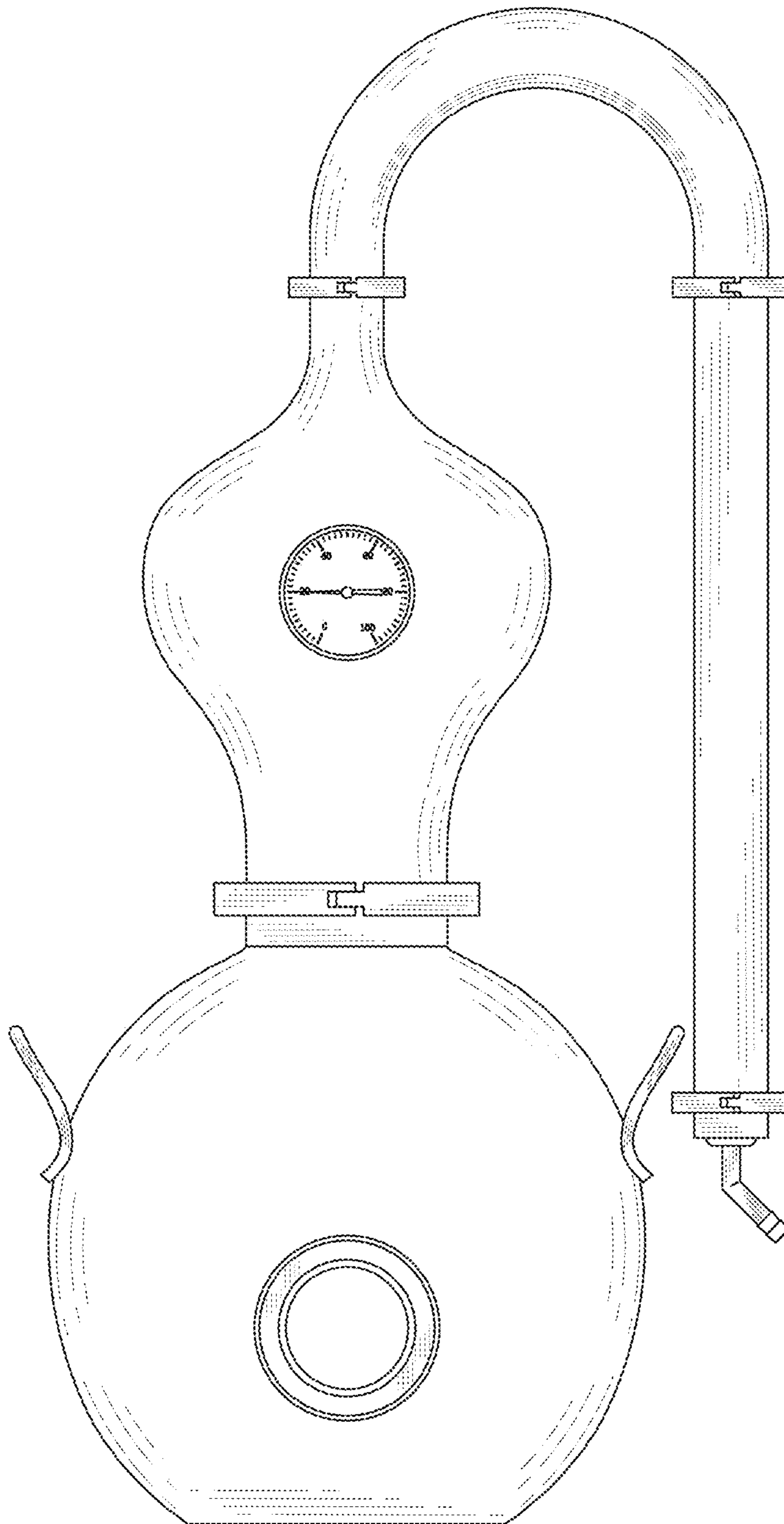


FIG.2

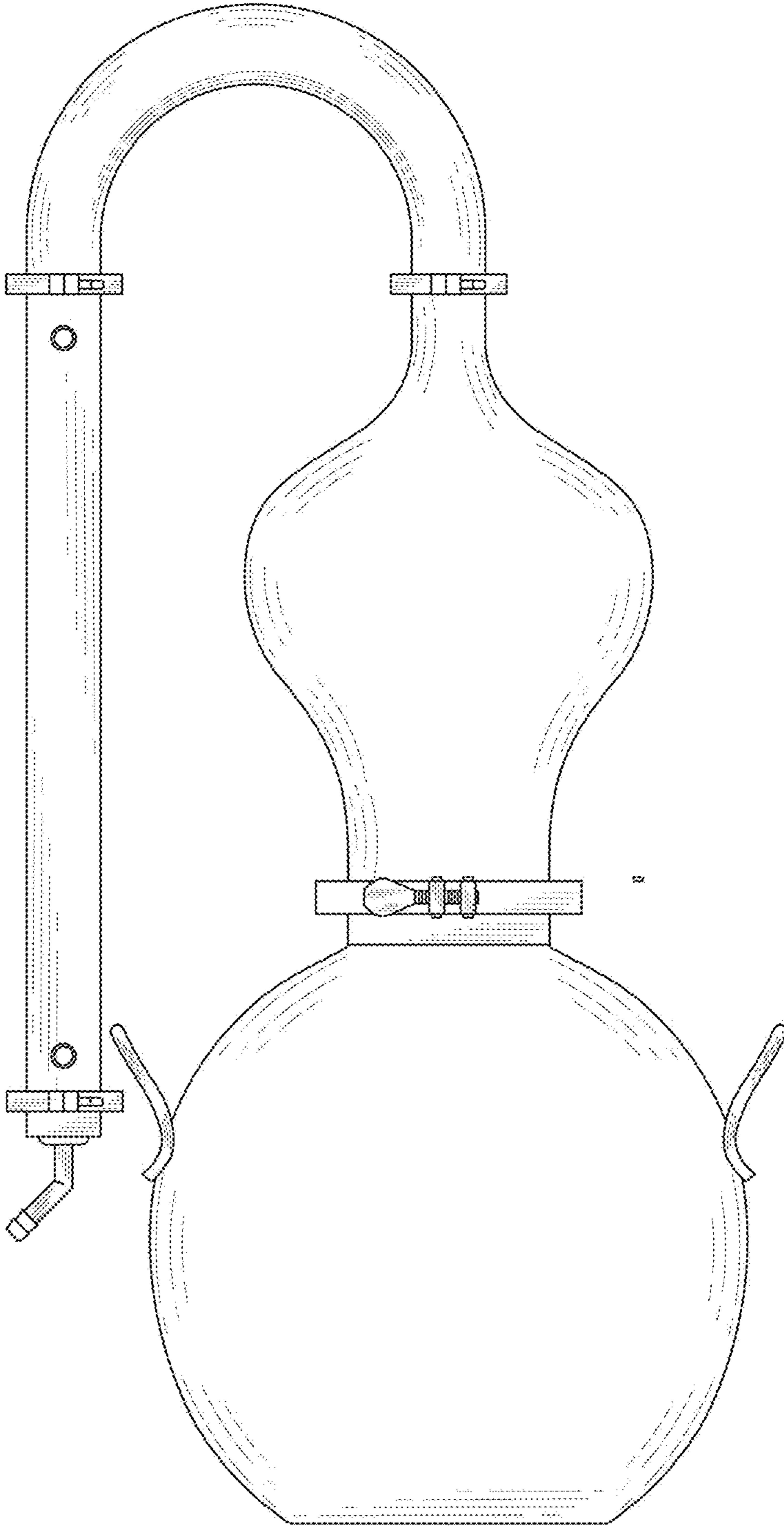


FIG.3

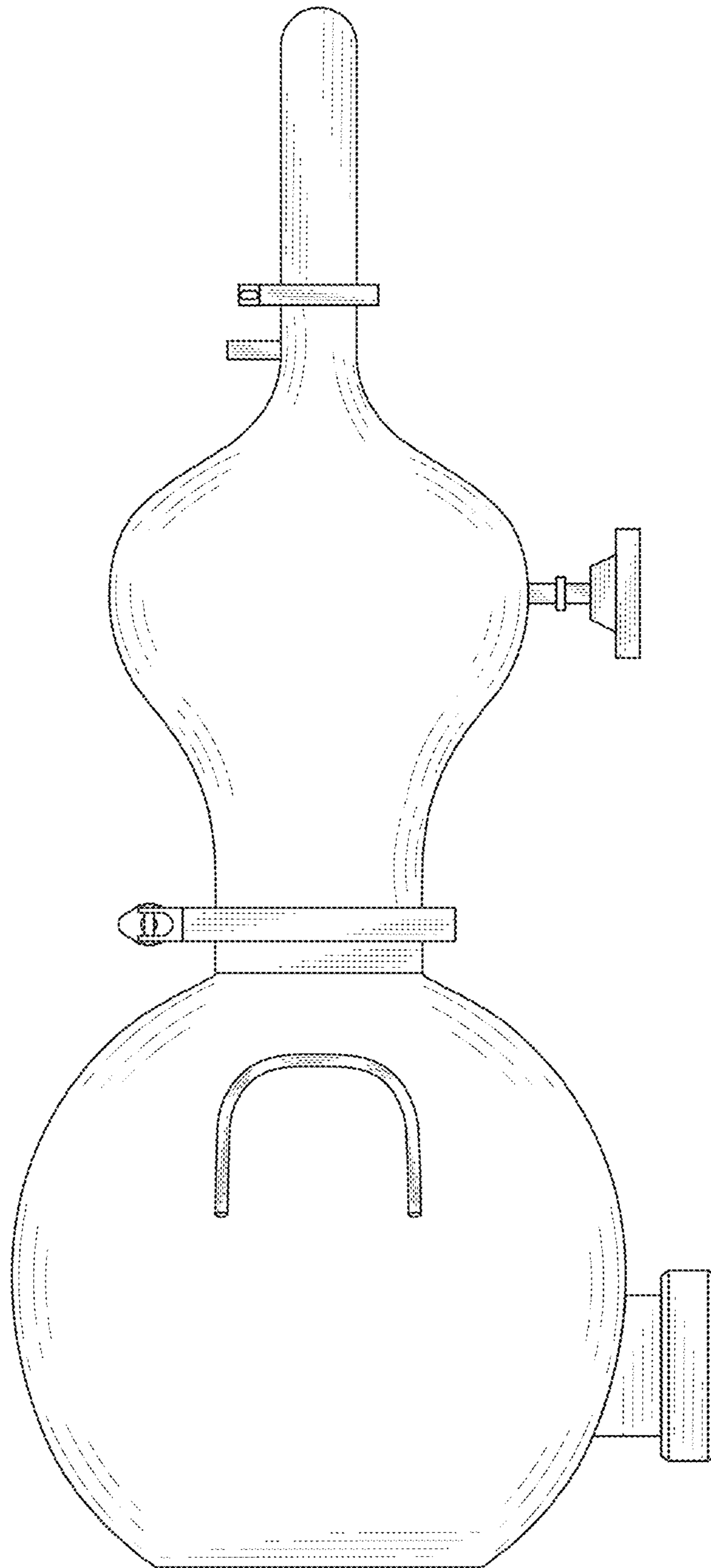


FIG.4

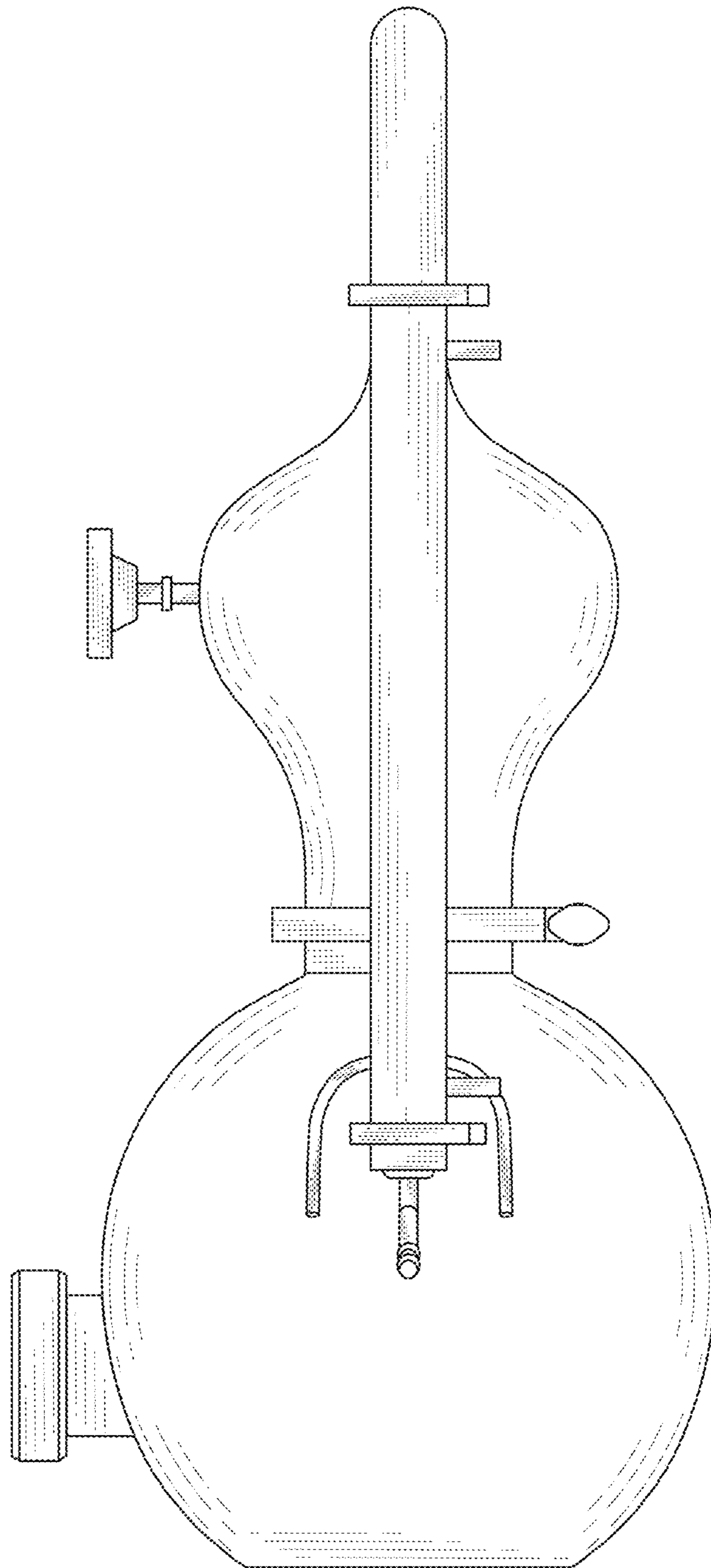


FIG.5

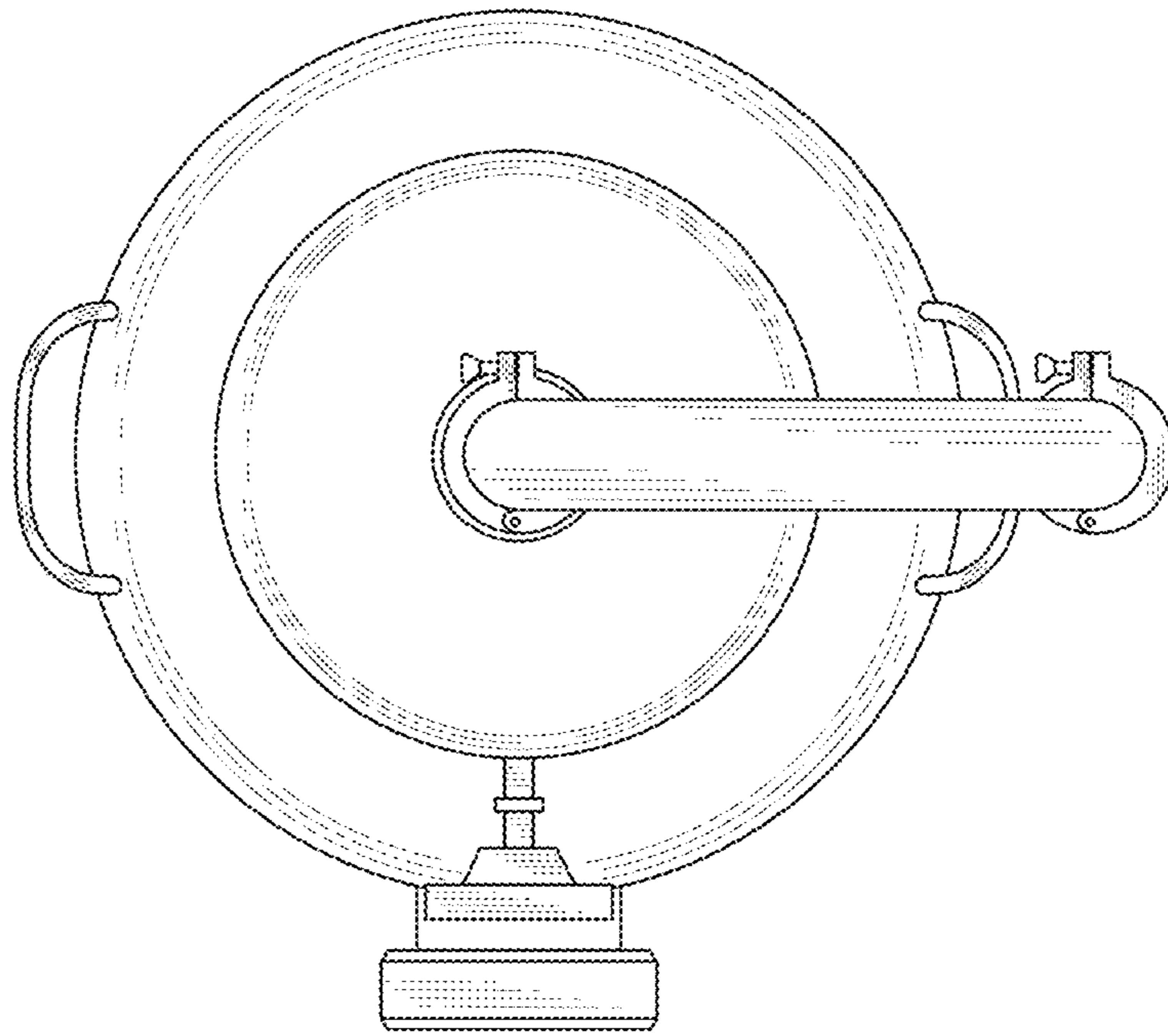


FIG.6

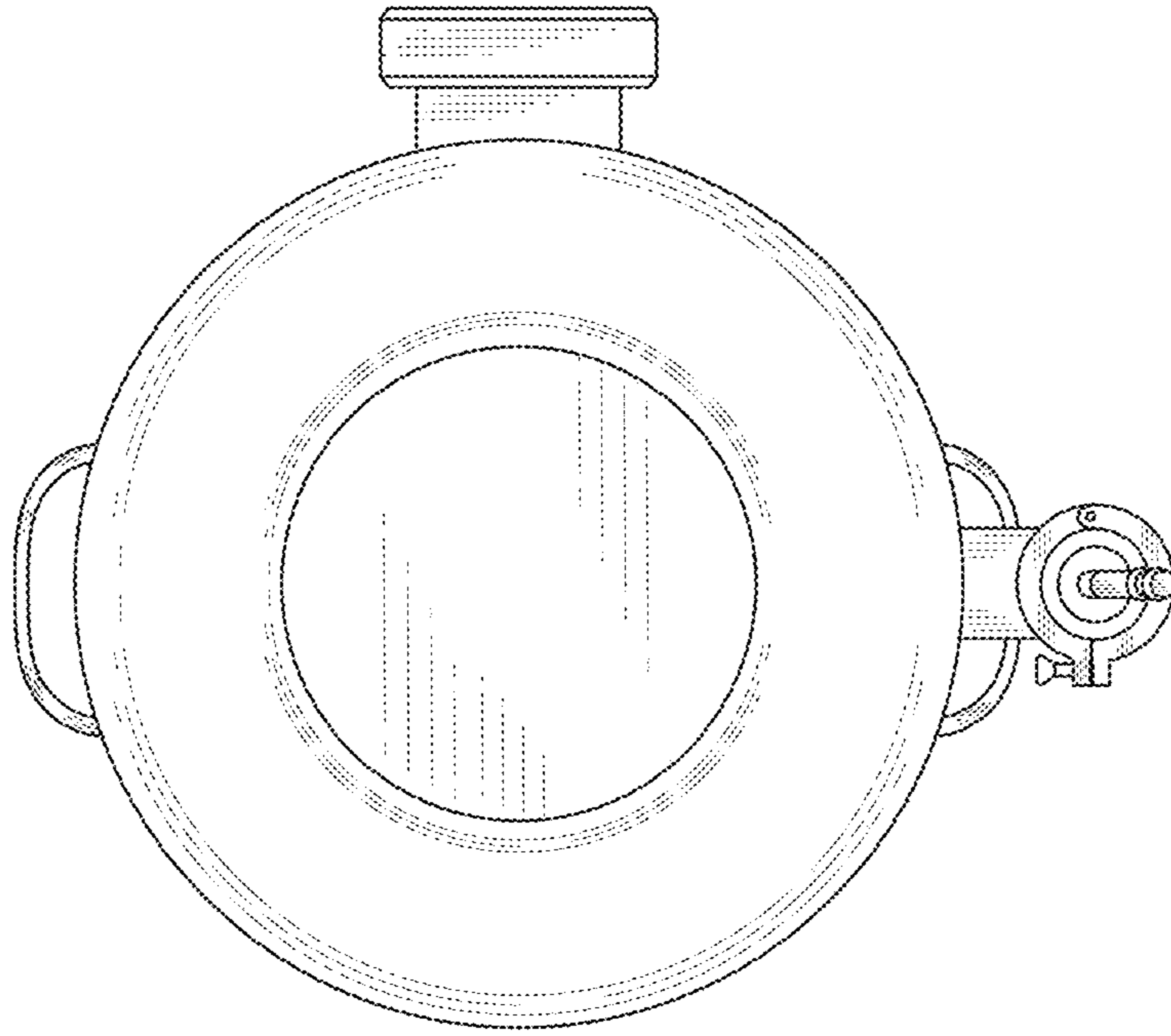


FIG.7