



US00D887760S

(12) **United States Design Patent**
Guelfo

(10) **Patent No.:** **US D887,760 S**

(45) **Date of Patent:** **** Jun. 23, 2020**

(54) **CHAIR**

(71) Applicant: **Okamura Corporation**, Yokohama-shi,
Kanagawa (JP)

(72) Inventor: **Nicola Guelfo**, Moncalieri Turin (IT)

(73) Assignee: **Okamura Corporation**, Yokohama-shi,
Kanagawa (JP)

(**) Term: **15 Years**

(21) Appl. No.: **29/684,231**

(22) Filed: **Mar. 19, 2019**

(30) **Foreign Application Priority Data**

Sep. 20, 2018 (JP) 2018-020488

(51) **LOC (12) Cl.** **06-01**

(52) **U.S. Cl.**
USPC **D6/716.2**

(58) **Field of Classification Search**
USPC D6/334-336, 364, 365, 366, 374, 379,
D6/380, 716, 716.1, 716.2, 716.3, 716.4
CPC A47C 1/03; A47C 3/00; A47C 7/02; A47C
7/40; A47C 7/54; A47C 7/543; A47C
7/546

See application file for complete search history.

(56) **References Cited**

U.S. PATENT DOCUMENTS

D407,576 S * 4/1999 Ritch D6/366
D472,722 S * 4/2003 Moll D6/366

D587,915 S * 3/2009 Igarashi D6/366
D600,931 S * 9/2009 Pearson D6/366
D661,135 S * 6/2012 Diffrient D6/716.2
D773,872 S * 12/2016 Kim D6/716.2
D785,390 S * 5/2017 Tong D6/366
D800,471 S * 10/2017 Barber D6/366
D800,472 S * 10/2017 Meda D6/366
D801,068 S * 10/2017 Meda D6/366

* cited by examiner

Primary Examiner — Mimoso De

(74) *Attorney, Agent, or Firm* — Sughrue Mion, PLLC

(57) **CLAIM**

The ornamental design for a chair, as shown and described.

DESCRIPTION

FIG. 1 is a front perspective view of a chair showing my design;

FIG. 2 is a rear perspective view thereof;

FIG. 3 is a front elevation view thereof;

FIG. 4 is a rear elevation view thereof;

FIG. 5 is a left side elevation view thereof;

FIG. 6 is a right side elevation view thereof;

FIG. 7 is a top plan view thereof; and,

FIG. 8 is a bottom plan view thereof.

The broken lines shown in the drawings illustrate portions form no part of the claimed design.

The backrest sheet and the seat of the chair are made of mesh and the mesh pattern of the backrest sheet forms no part of the claimed design.

1 Claim, 8 Drawing Sheets

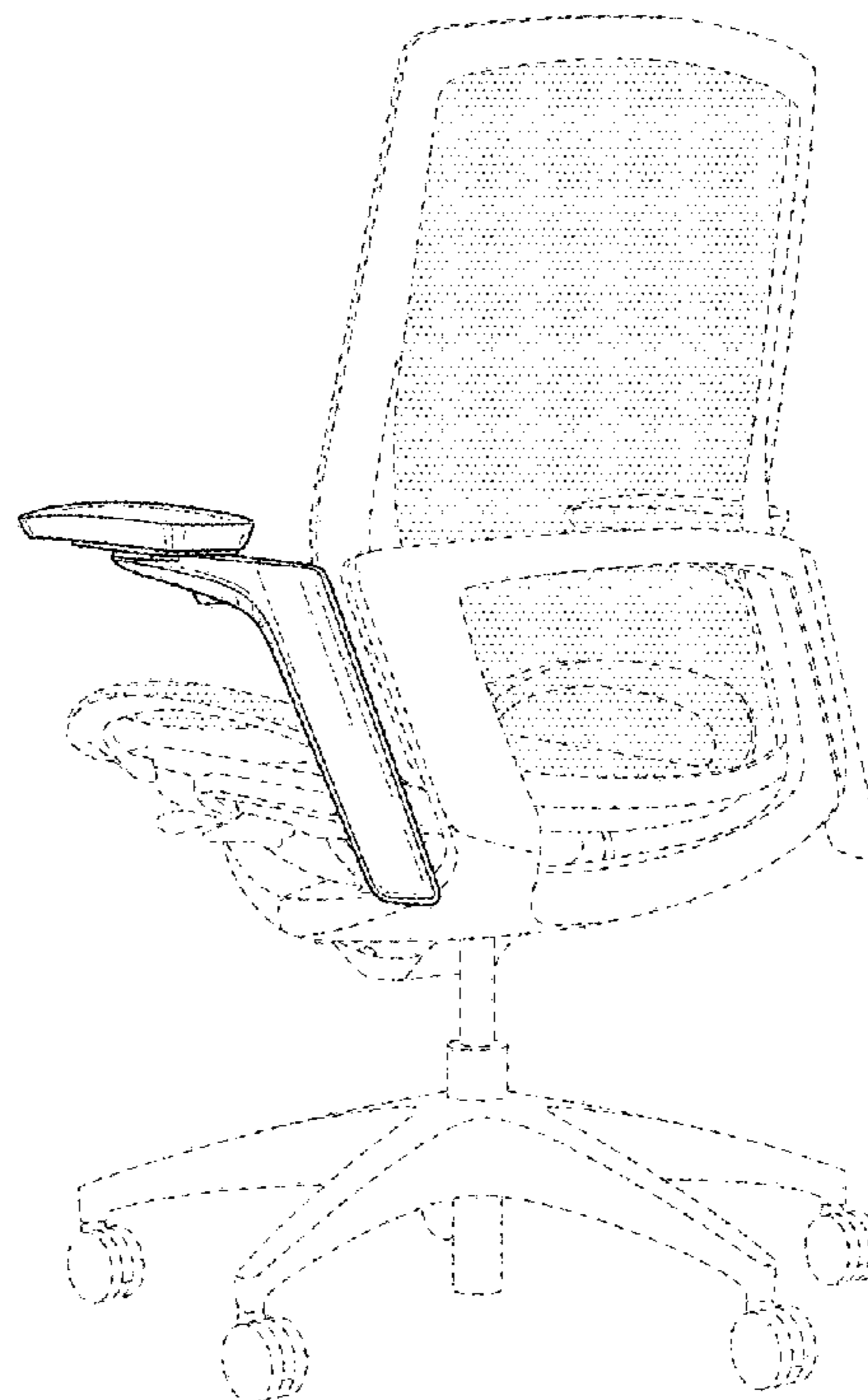
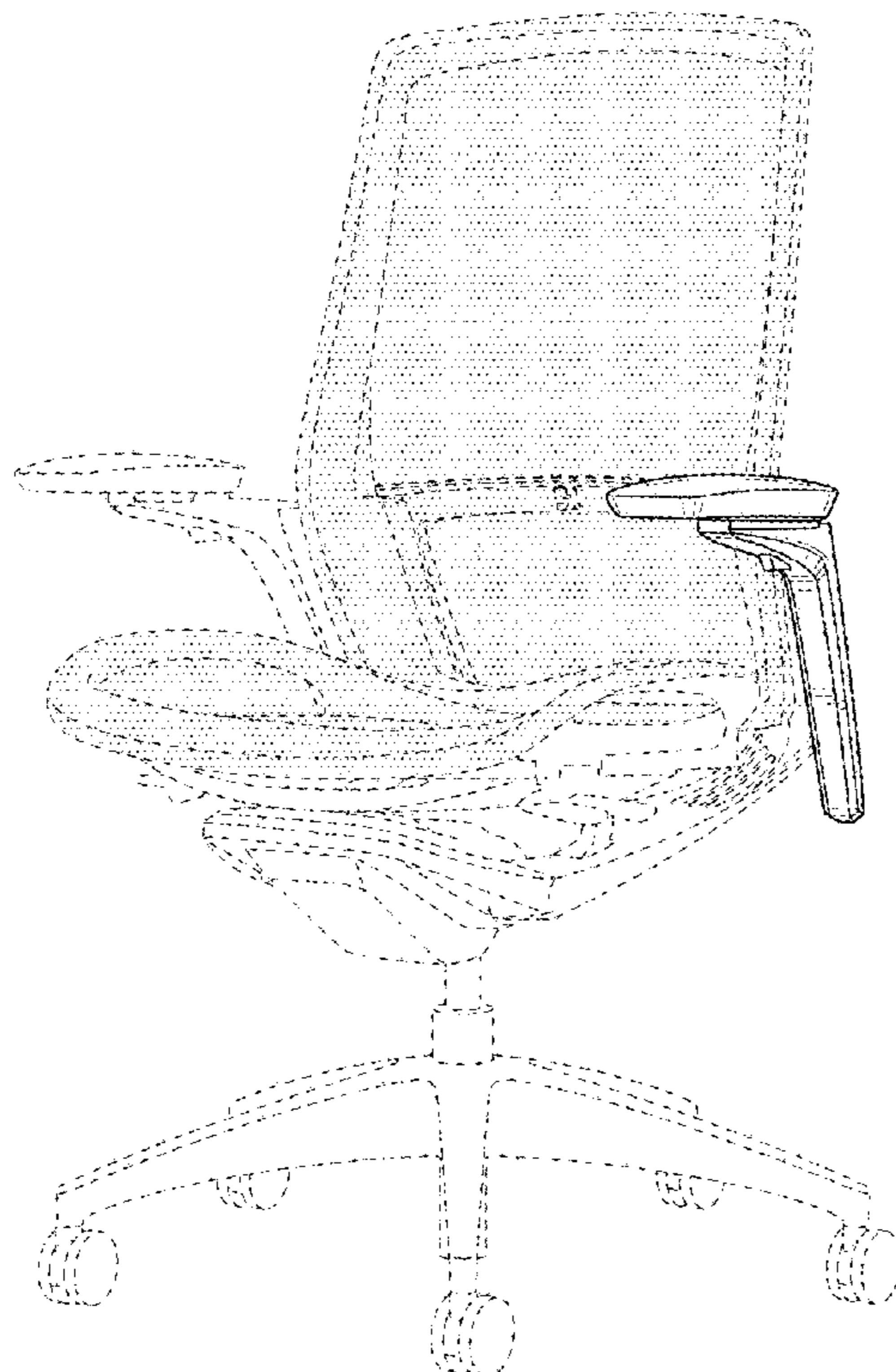


FIG. 1

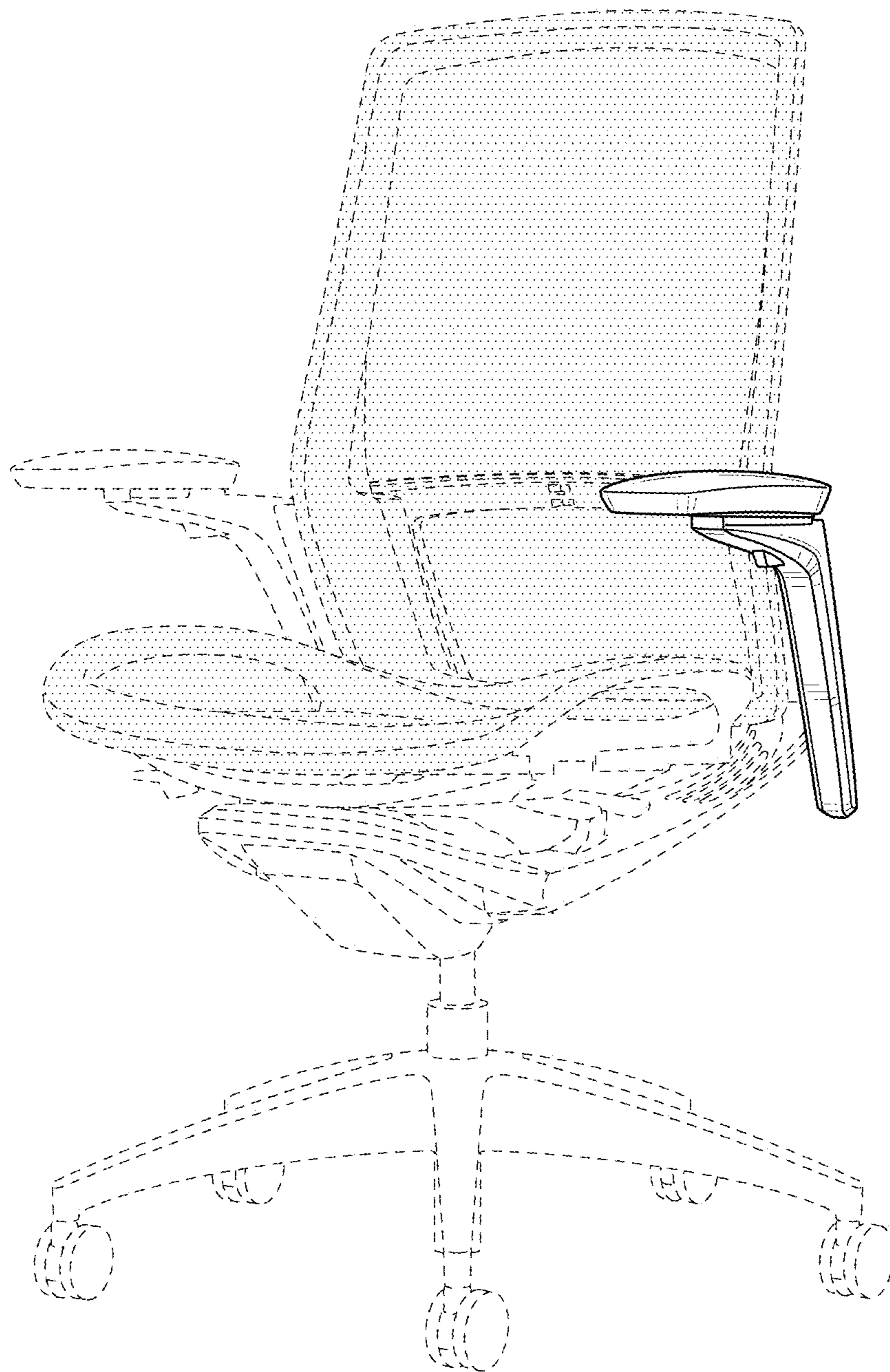


FIG. 2

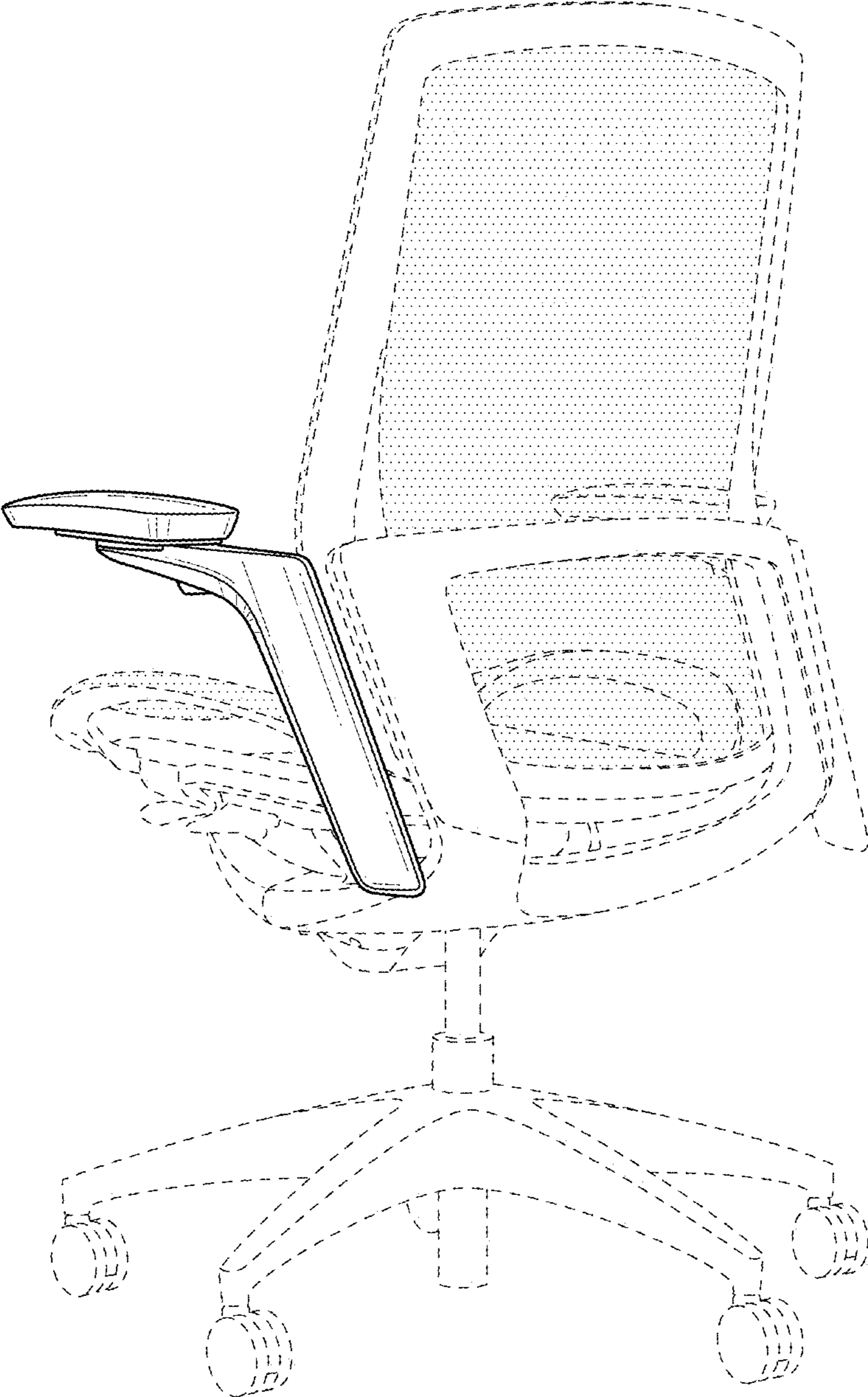


FIG. 3

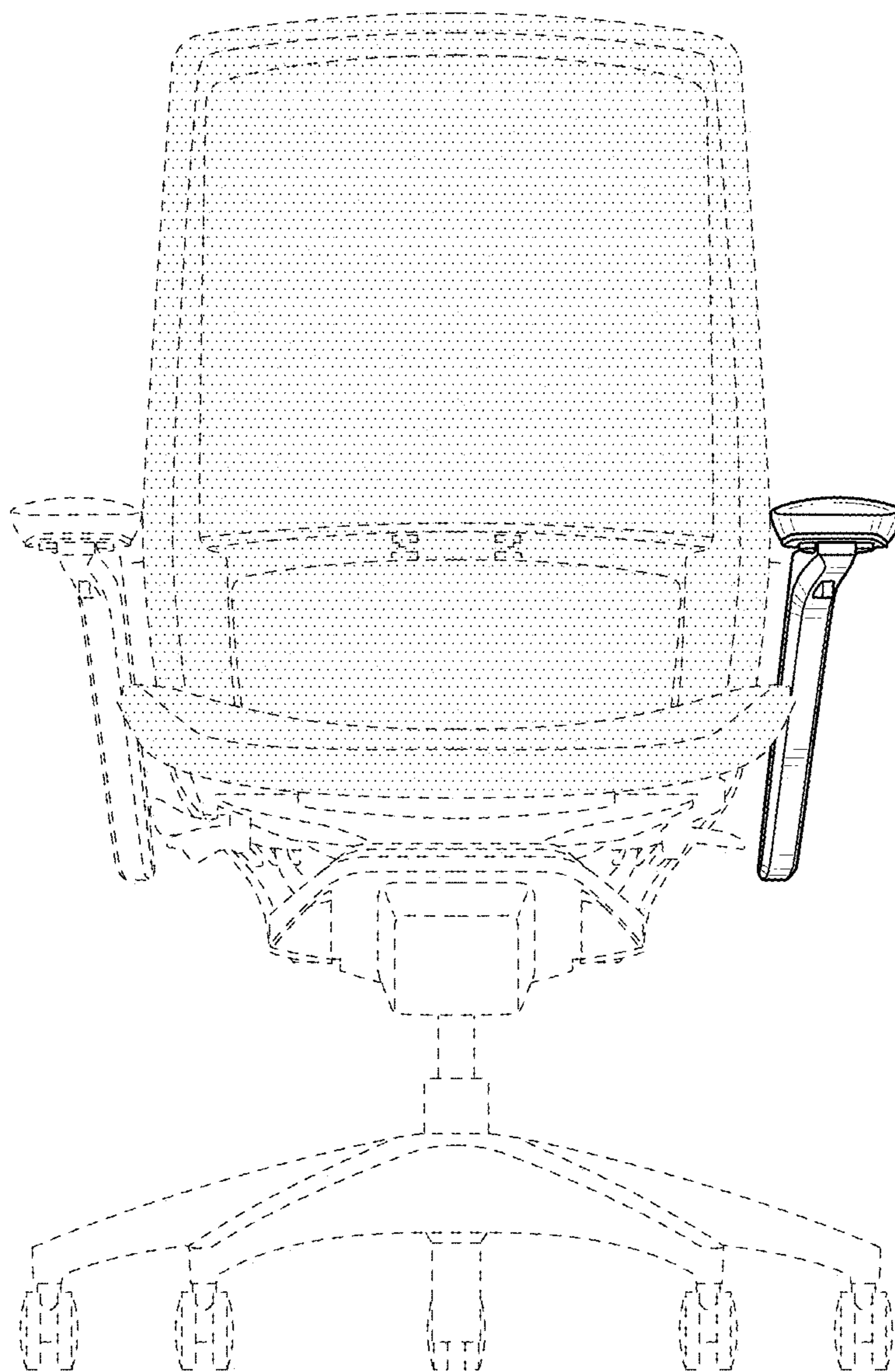


FIG. 4

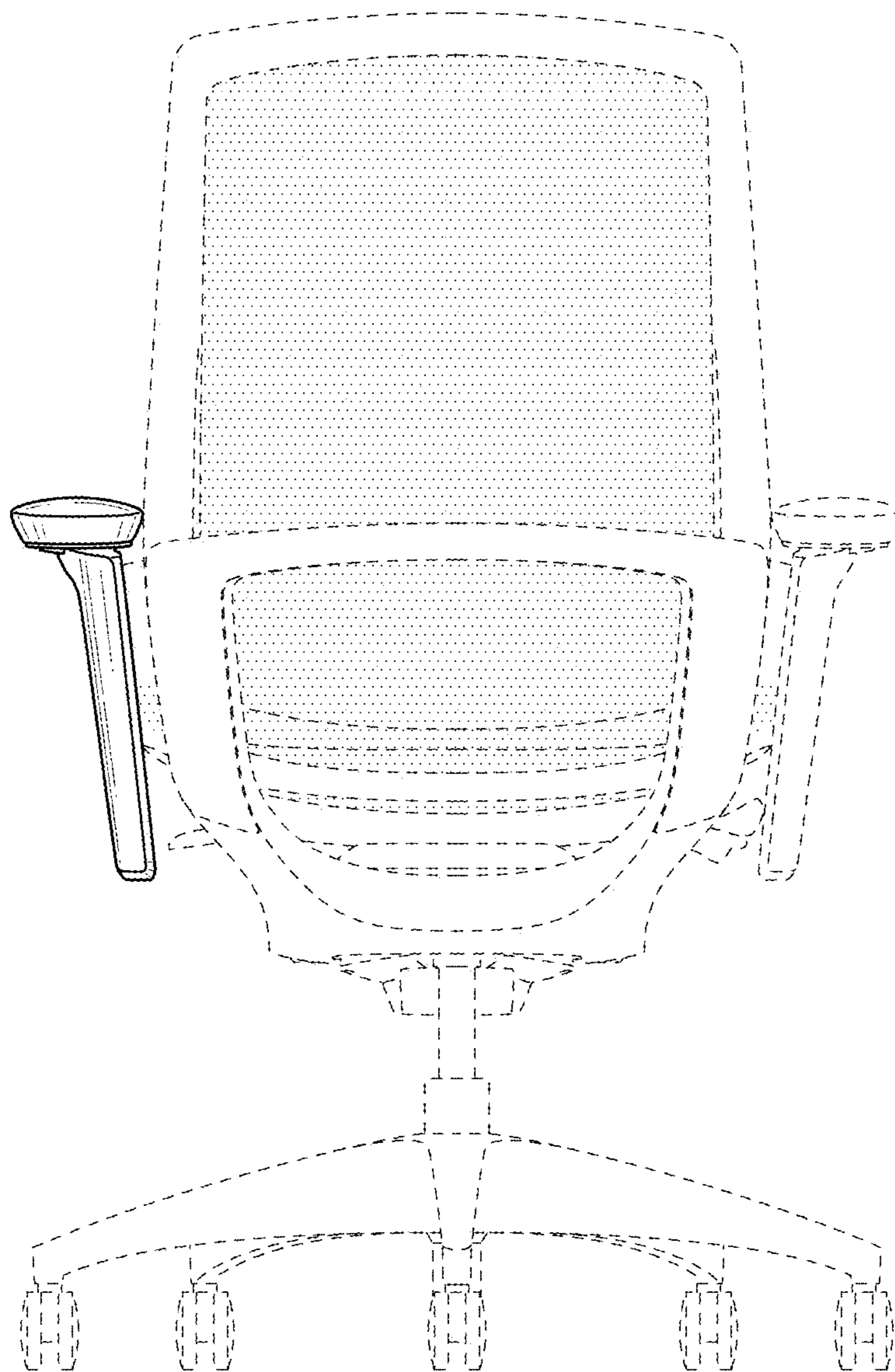


FIG. 5

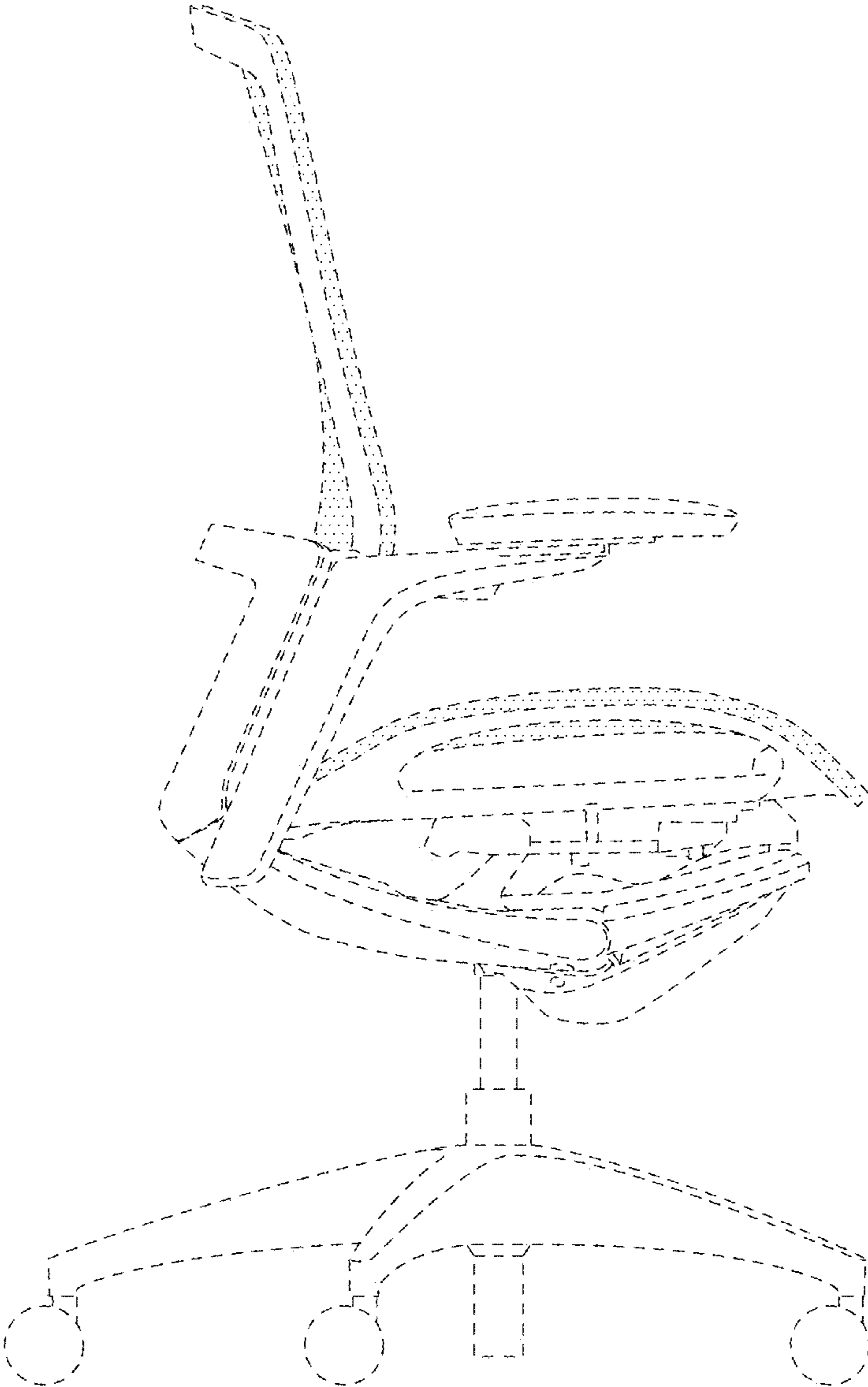


FIG. 6

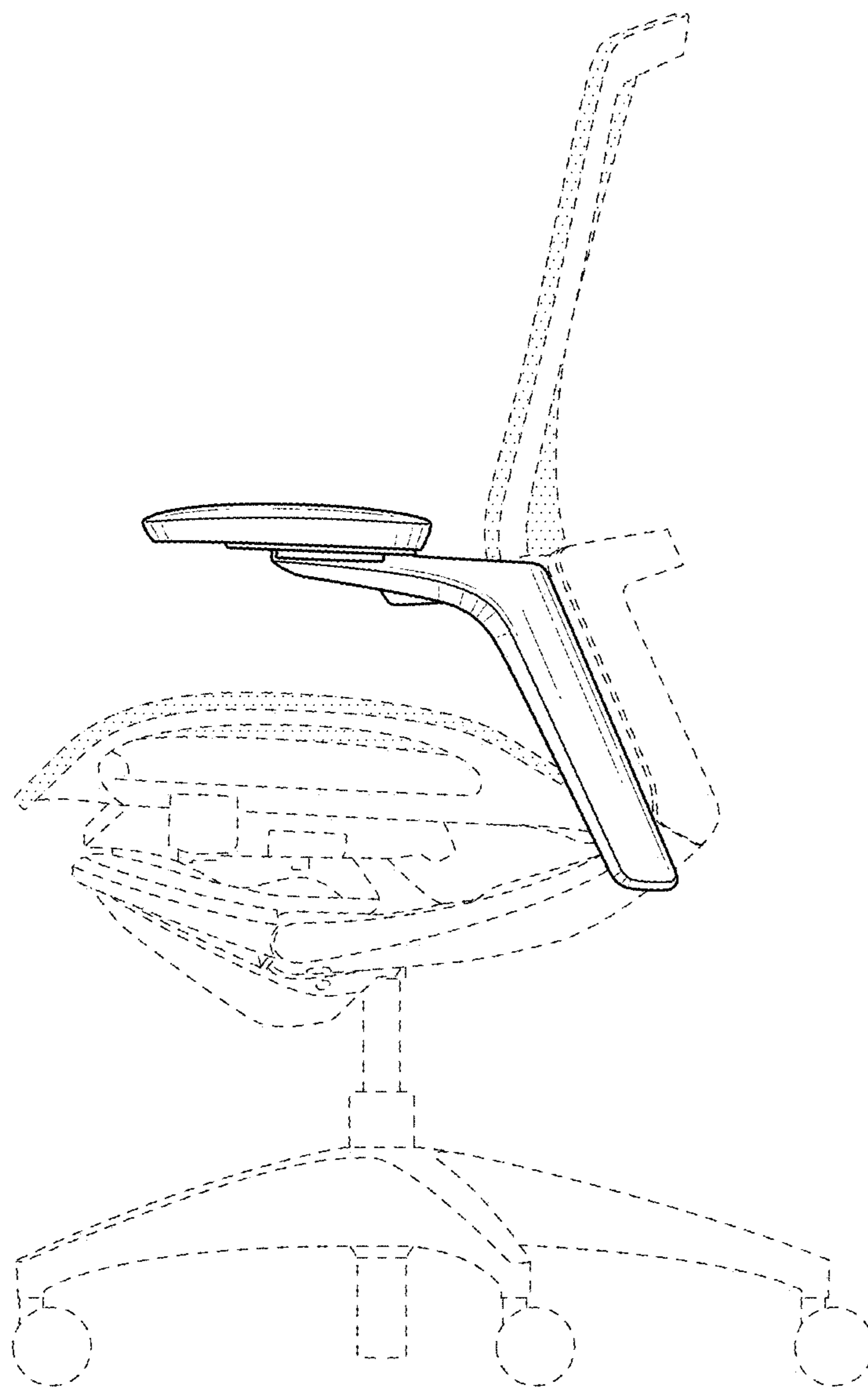


FIG. 7

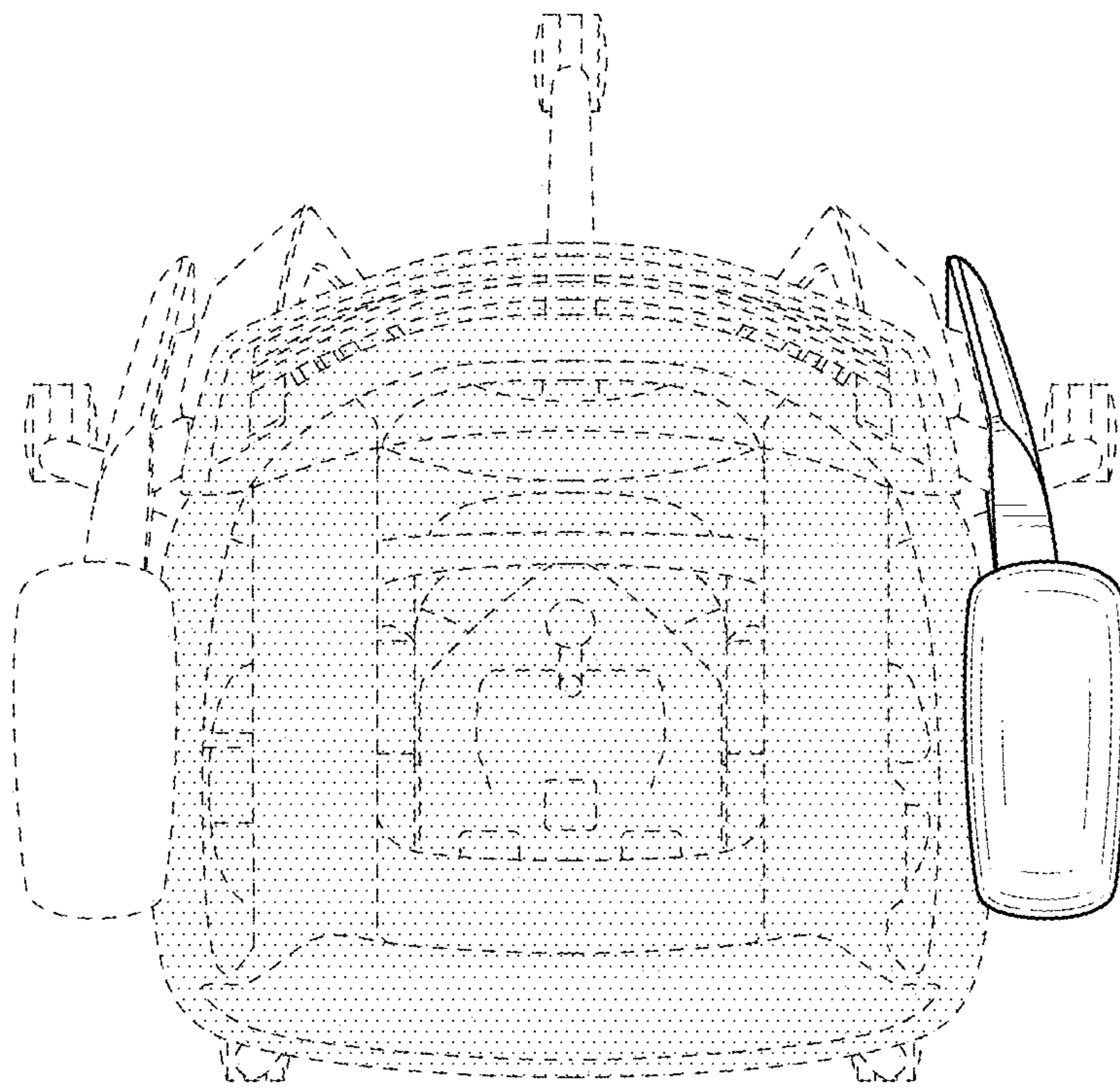


FIG. 8

