



US00D887759S

(12) **United States Design Patent** (10) **Patent No.:** **US D887,759 S**  
**Read et al.** (45) **Date of Patent:** **\*\* Jun. 23, 2020**

(54) **CHAIR**

(71) Applicant: **Herman Miller Limited**, Chippenham (GB)

(72) Inventors: **David Read**, Chippenham (GB); **Ralph Farrer**, Chippenham (GB); **Nick Savage**, Chippenham (GB); **Richard John Stevens**, London (GB); **Joohee Lee**, London (GB)

(73) Assignee: **HERMAN MILLER LIMITED**, Chippenham (GB)

(\*\*) Term: **15 Years**

(21) Appl. No.: **29/673,535**

(22) Filed: **Dec. 14, 2018**

**Related U.S. Application Data**

(62) Division of application No. 29/578,298, filed on Sep. 20, 2016, now Pat. No. Des. 850,834.

(30) **Foreign Application Priority Data**

Mar. 23, 2016	(EM)	003039346-0001
Mar. 23, 2016	(EM)	003039346-0002
Mar. 23, 2016	(EM)	003039346-0003
Mar. 23, 2016	(EM)	003039346-0004
Mar. 23, 2016	(EM)	003039346-0005
Mar. 23, 2016	(EM)	003039346-0006
Mar. 23, 2016	(EM)	003039346-0007
May 23, 2016	(EM)	003148352-0001
May 23, 2016	(EM)	003148352-0002
May 23, 2016	(EM)	003148352-0003
May 23, 2016	(EM)	003148352-0004

(51) **LOC (12) Cl.** ..... **06-01**

(52) **U.S. Cl.**  
USPC ..... **D6/708.23; D6/366**

(58) **Field of Classification Search**

USPC ..... D6/334-336, 364, 365, 366, 374, 375, D6/379, 380, 708.23, 716, 716.1, 716.2, D6/716.3, 716.4  
CPC ..... A47C 7/002; A47C 7/004; A47C 7/006; A47C 7/48; A47C 3/20; A47C 7/18; A47C 7/24

See application file for complete search history.

(56) **References Cited**

**U.S. PATENT DOCUMENTS**

D192,143	S	*	1/1962	Anderson	.....	D6/708.23
D192,635	S	*	4/1962	Anderson	.....	D6/366
D192,799	S	*	5/1962	Eames	.....	D6/366
D193,094	S	*	6/1962	Sullivan	.....	D6/708.23
D193,339	S	*	8/1962	Eames	.....	D6/708.23
D351,741	S	*	10/1994	Pollock	.....	D6/366

(Continued)

*Primary Examiner* — Mimosa De

(74) *Attorney, Agent, or Firm* — Michael Best & Friedrich LLP

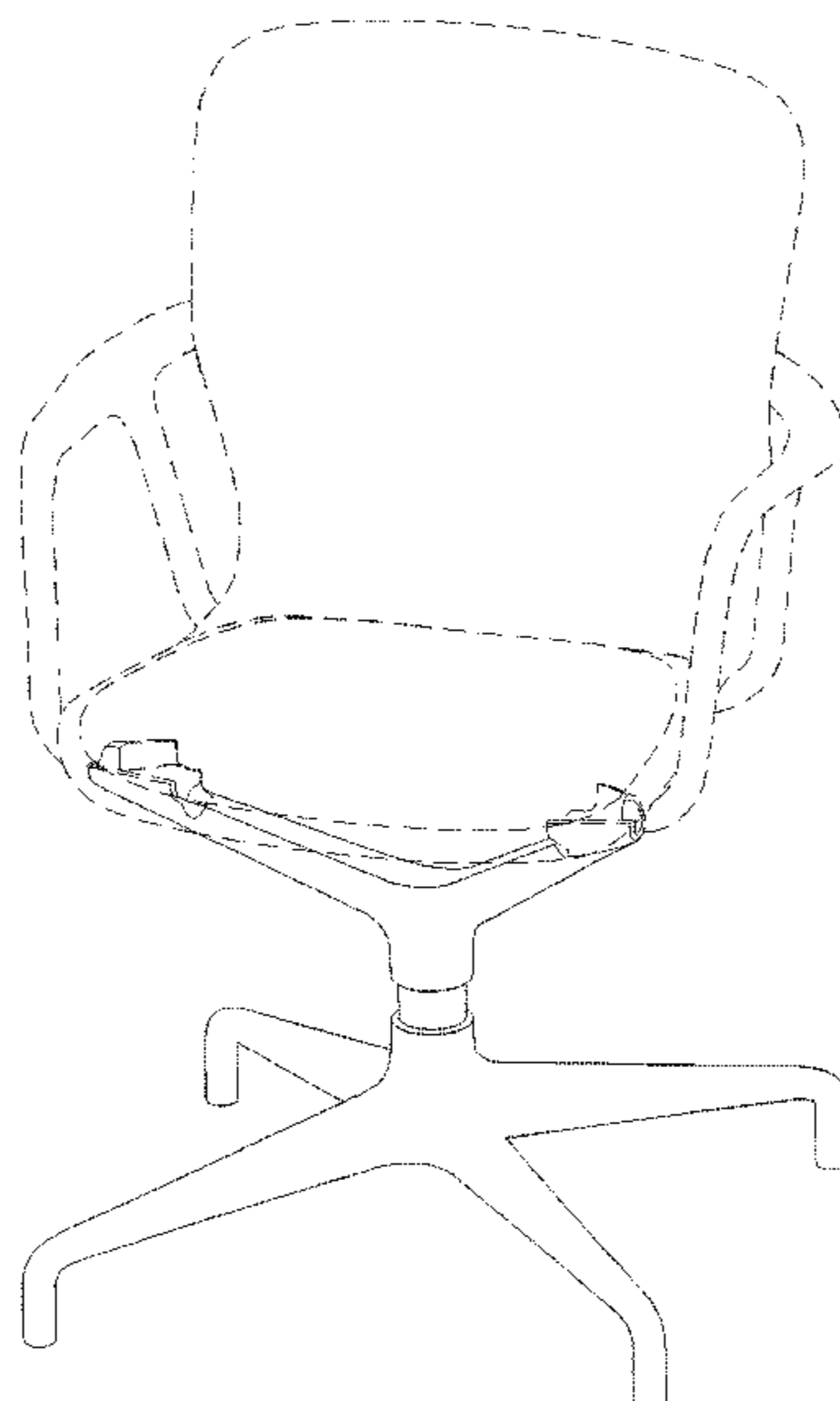
(57) **CLAIM**

We claim the ornamental design for a chair, as shown and described.

**DESCRIPTION**

FIG. 1 is a perspective view of a chair embodying the invention.  
FIG. 2 is a rear view of the chair of FIG. 1.  
FIG. 3 is a side view of the chair of FIG. 1, the other side being a mirror image thereof.  
FIG. 4 is a front view of the chair of FIG. 1.  
FIG. 5 is a bottom view of the chair of FIG. 1.  
FIG. 6 is another perspective view of the chair of FIG. 1; and,  
FIG. 7 is a top view of the chair of FIG. 1.  
Portions of the chair shown in broken lines are for illustrative purposes only and form no part of the claimed design.

**1 Claim, 7 Drawing Sheets**



(56)

**References Cited**

U.S. PATENT DOCUMENTS

D456,164 S	4/2002	Van De Riet et al.	
D505,801 S	6/2005	Cesaroni et al.	
D549,018 S	8/2007	Glass et al.	
D549,480 S	8/2007	Rech	
D571,118 S	6/2008	Camp et al.	
D638,232 S	5/2011	Roy	
D689,297 S	9/2013	Su	
D741,078 S	10/2015	Chiaramonte et al.	
D776,447 S	1/2017	Pevere et al.	
D785,965 S	5/2017	Ye	
D787,217 S	5/2017	Lin	
D794,347 S *	8/2017	Cazzaniga .....	D6/366
D794,365 S *	8/2017	Izawa .....	D6/708.23
D799,234 S	10/2017	Mao et al.	
D808,677 S	1/2018	Grabowski et al.	
D818,286 S	5/2018	Galiotto	
D833,767 S	11/2018	Wilkinson et al.	
D859,045 S *	9/2019	Dorigo .....	D6/708.23

\* cited by examiner

FIG. 1

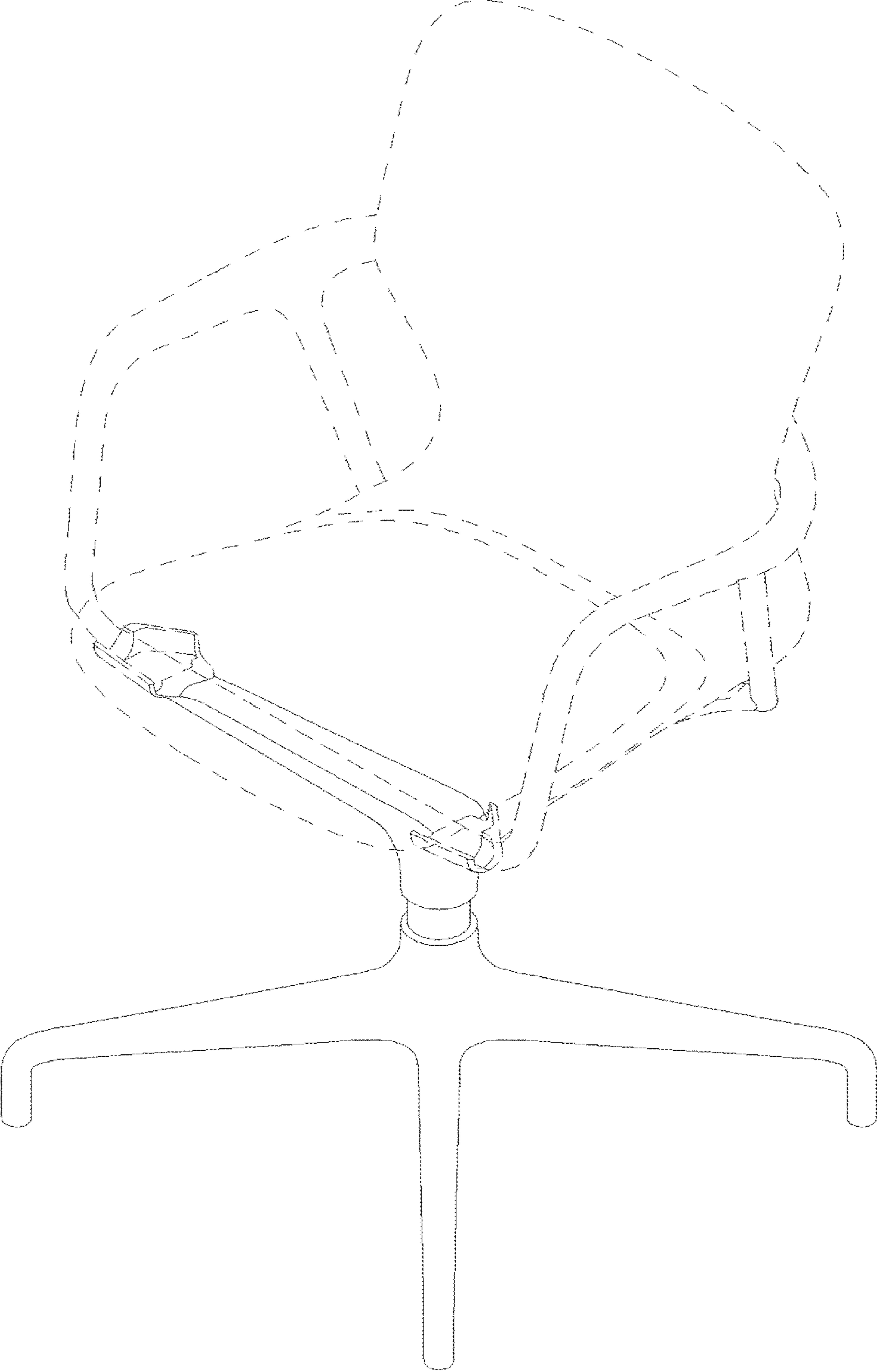


FIG. 2

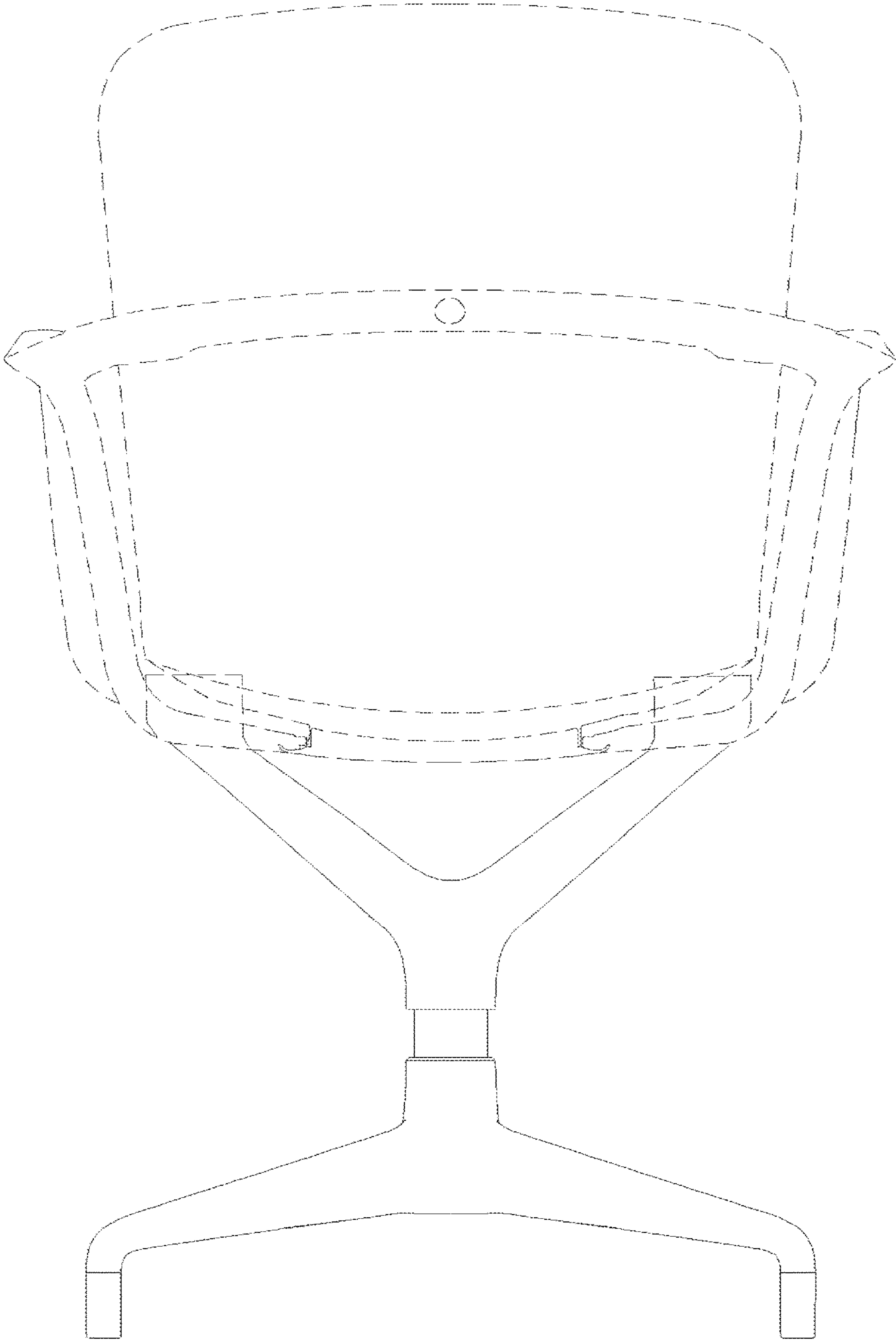


FIG. 3

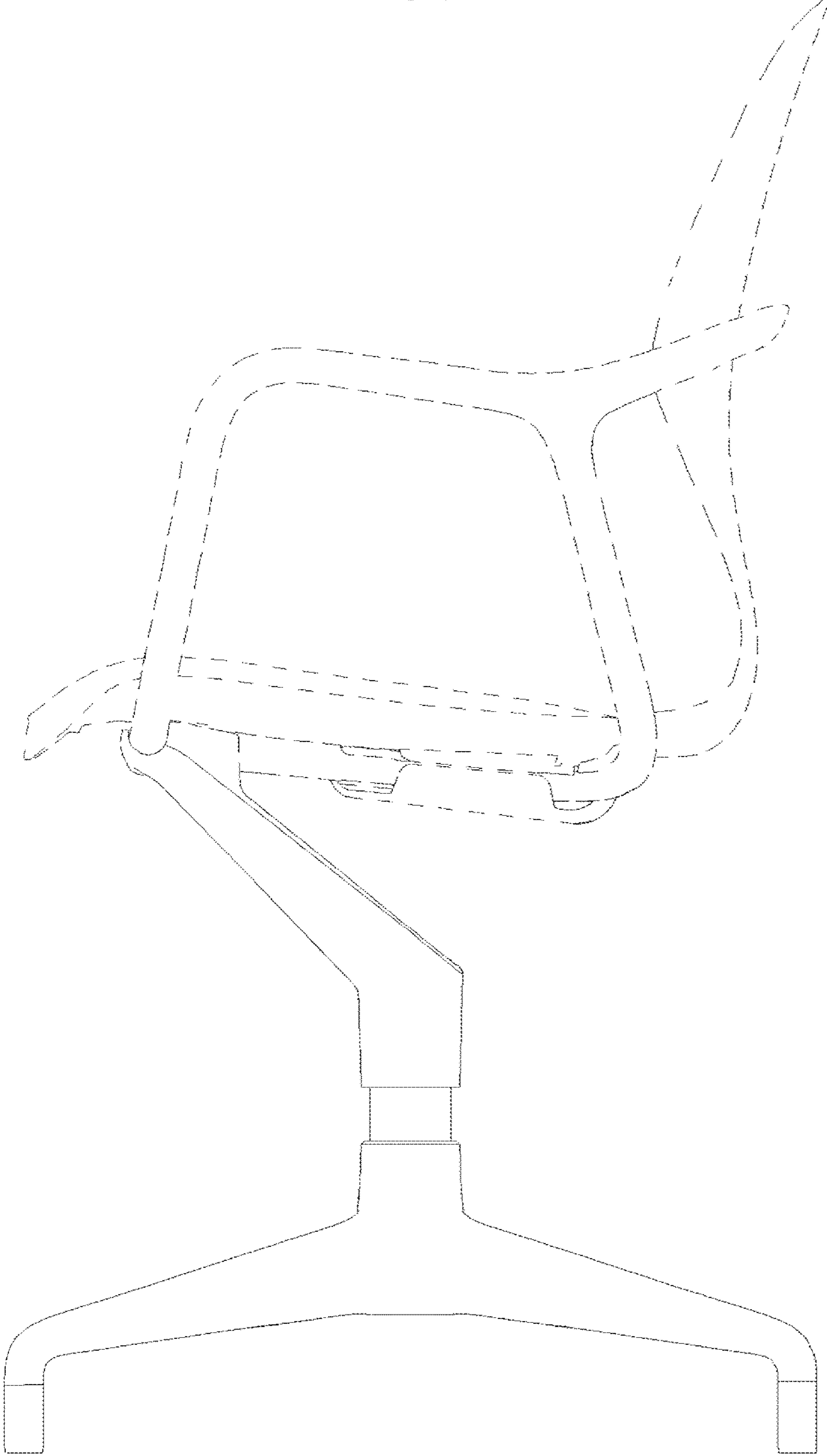


FIG. 4

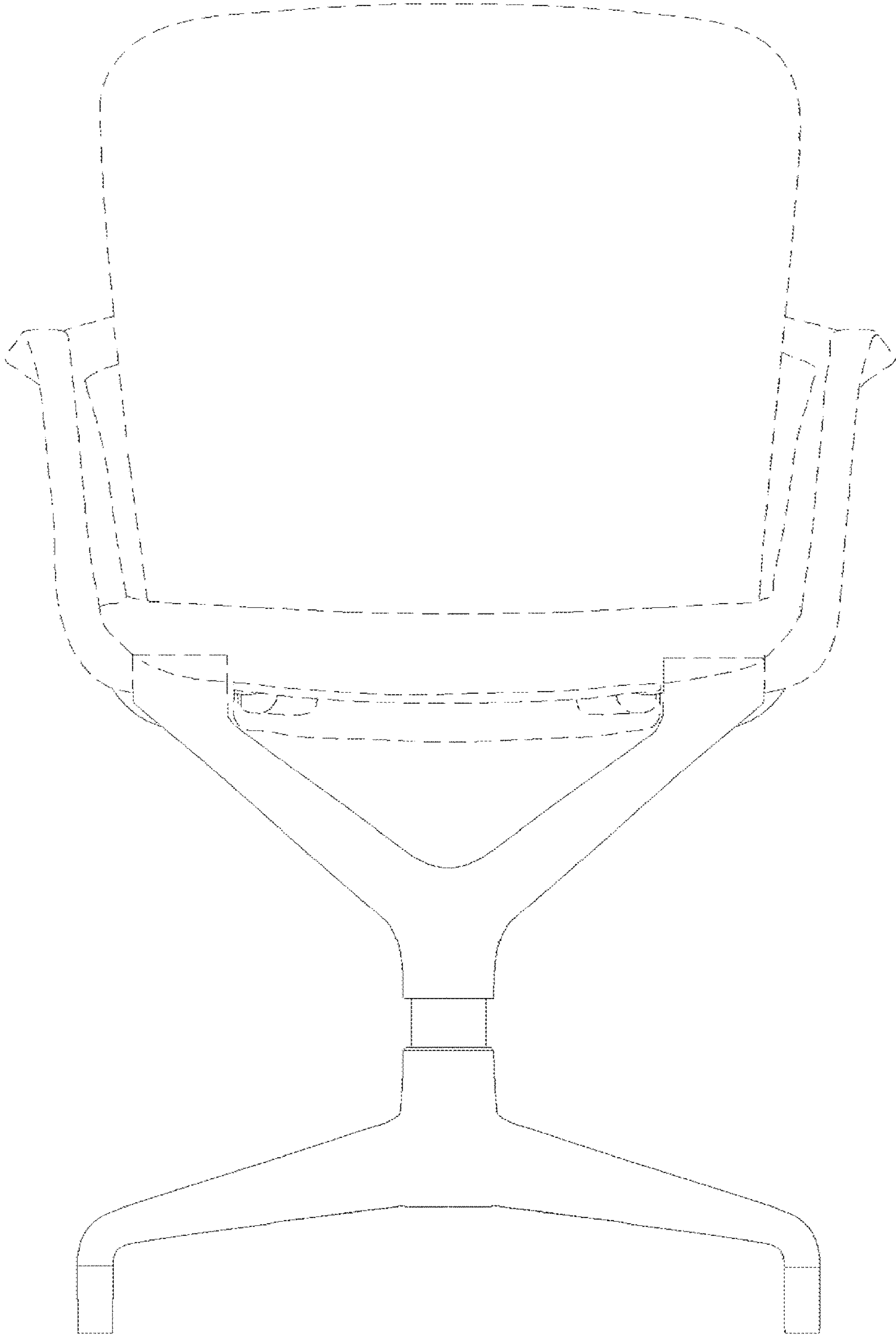


FIG. 5

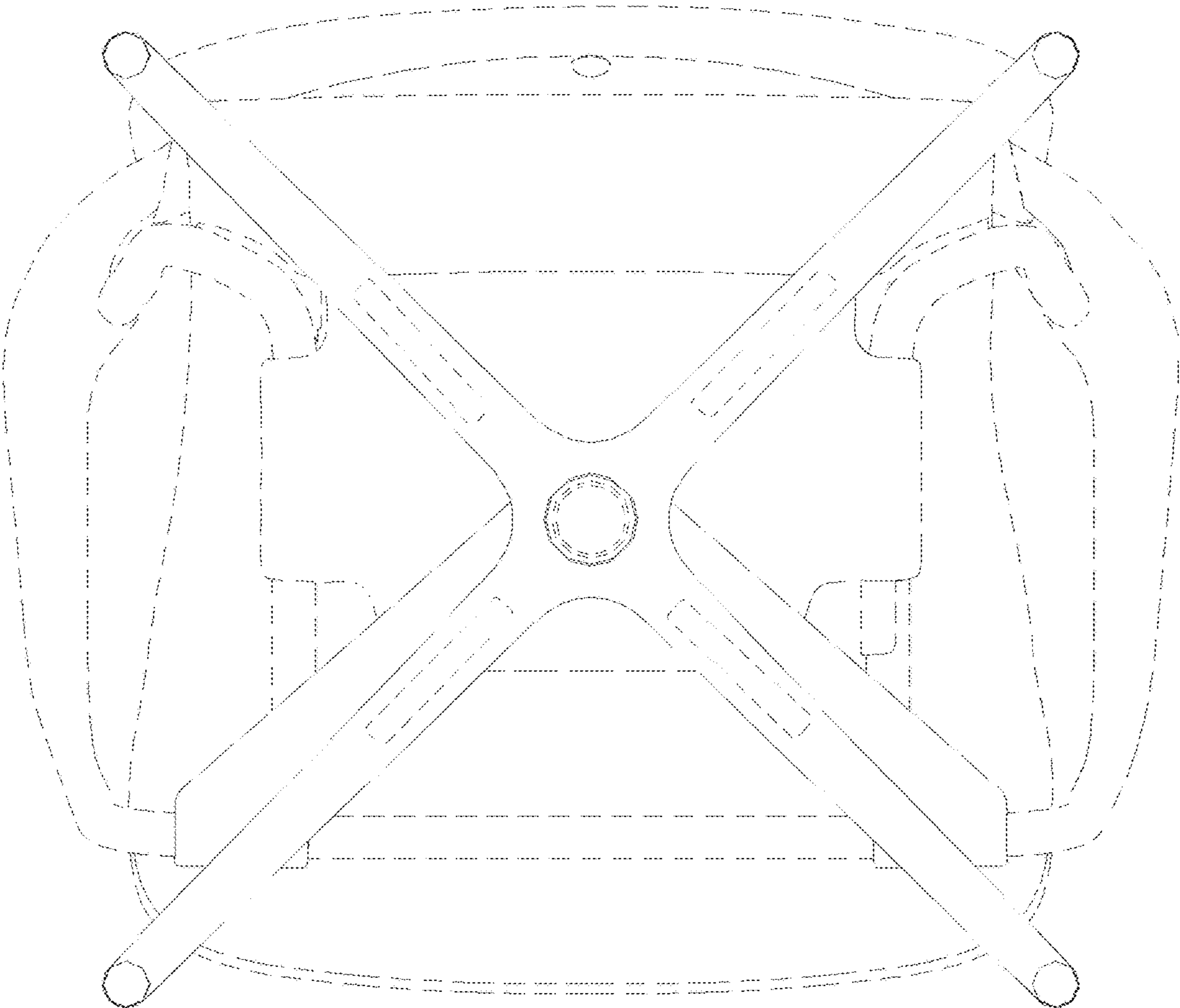


FIG. 6

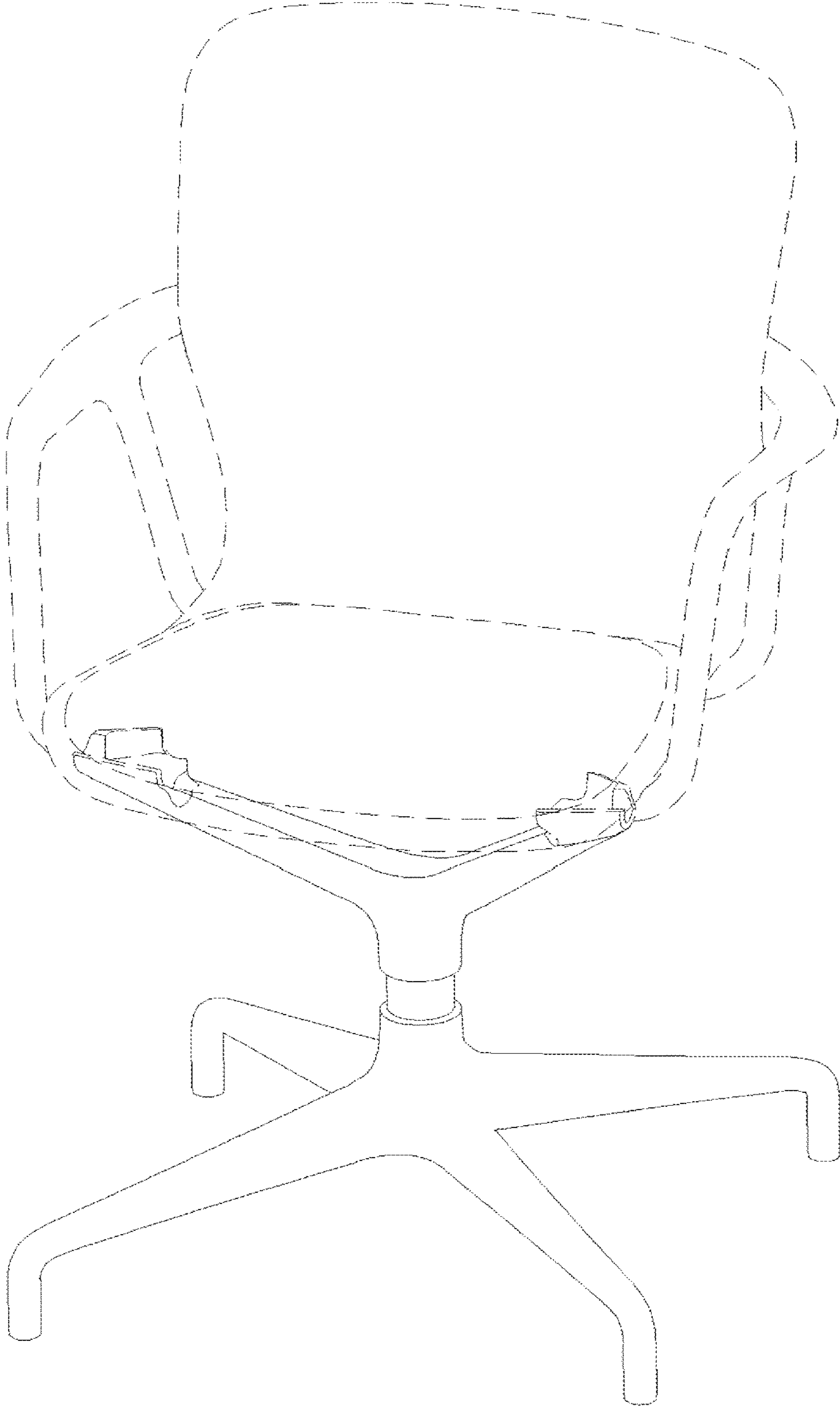




FIG. 7

