



US00D887756S

(12) **United States Design Patent**
Huang

(10) **Patent No.:** **US D887,756 S**

(45) **Date of Patent:** **** Jun. 23, 2020**

(54) **EXHIBITION TABLE**

(71) Applicant: **Guangdong Oppo Mobile
Telecommunications Corp., Ltd.,
Dongguan, Guangdong (CN)**

(72) Inventor: **Shaodong Huang, Guangdong (CN)**

(73) Assignee: **GUANGDONG OPPO MOBILE
TELECOMMUNICATIONS CORP.,
LTD., Dongguan (CN)**

(**) Term: **15 Years**

(21) Appl. No.: **29/678,490**

(22) Filed: **Jan. 29, 2019**

(30) **Foreign Application Priority Data**

Aug. 2, 2018 (CN) 2018 3 0423114

(51) **LOC (12) Cl.** **06-06**

(52) **U.S. Cl.**
USPC **D6/694**

(58) **Field of Classification Search**
USPC D6/675, 678, 685, 686, 694, 695, 696,
D6/697, 698, 700
CPC A47B 13/00; A47B 13/08; A47B 13/10;
A47B 25/00; A47B 2200/008; A47B
2200/0089; A47B 2200/04
See application file for complete search history.

(56) **References Cited**

U.S. PATENT DOCUMENTS

D64,277 S * 3/1924 Williams D6/682
D94,536 S * 2/1935 Canaday D6/682
D278,820 S * 5/1985 Woodhall D14/306
D378,715 S * 4/1997 Dewitt D6/698
D411,587 S * 6/1999 Beyer D14/417

D429,770 S * 8/2000 Luciano D21/325
6,446,564 B1 * 9/2002 Anderson A47B 21/007
108/71
D496,184 S * 9/2004 Sapp D14/305
D537,126 S * 2/2007 Boyd D14/129
D567,237 S * 4/2008 Kim D14/314
D576,821 S * 9/2008 Fissette D6/694
D604,539 S * 11/2009 Kennedy D6/574
D631,044 S * 1/2011 Chiu D14/315
D676,693 S * 2/2013 Derocher D6/707.22
D864,620 S * 10/2019 Woods D6/656.15

FOREIGN PATENT DOCUMENTS

CN 302431304 S 5/2013
CN 304195060 S 7/2017
JP D1601530 S 4/2018

* cited by examiner

Primary Examiner — Kelley A Donnelly

(74) *Attorney, Agent, or Firm* — Young Basile Hanlon & MacFarlane, P.C.

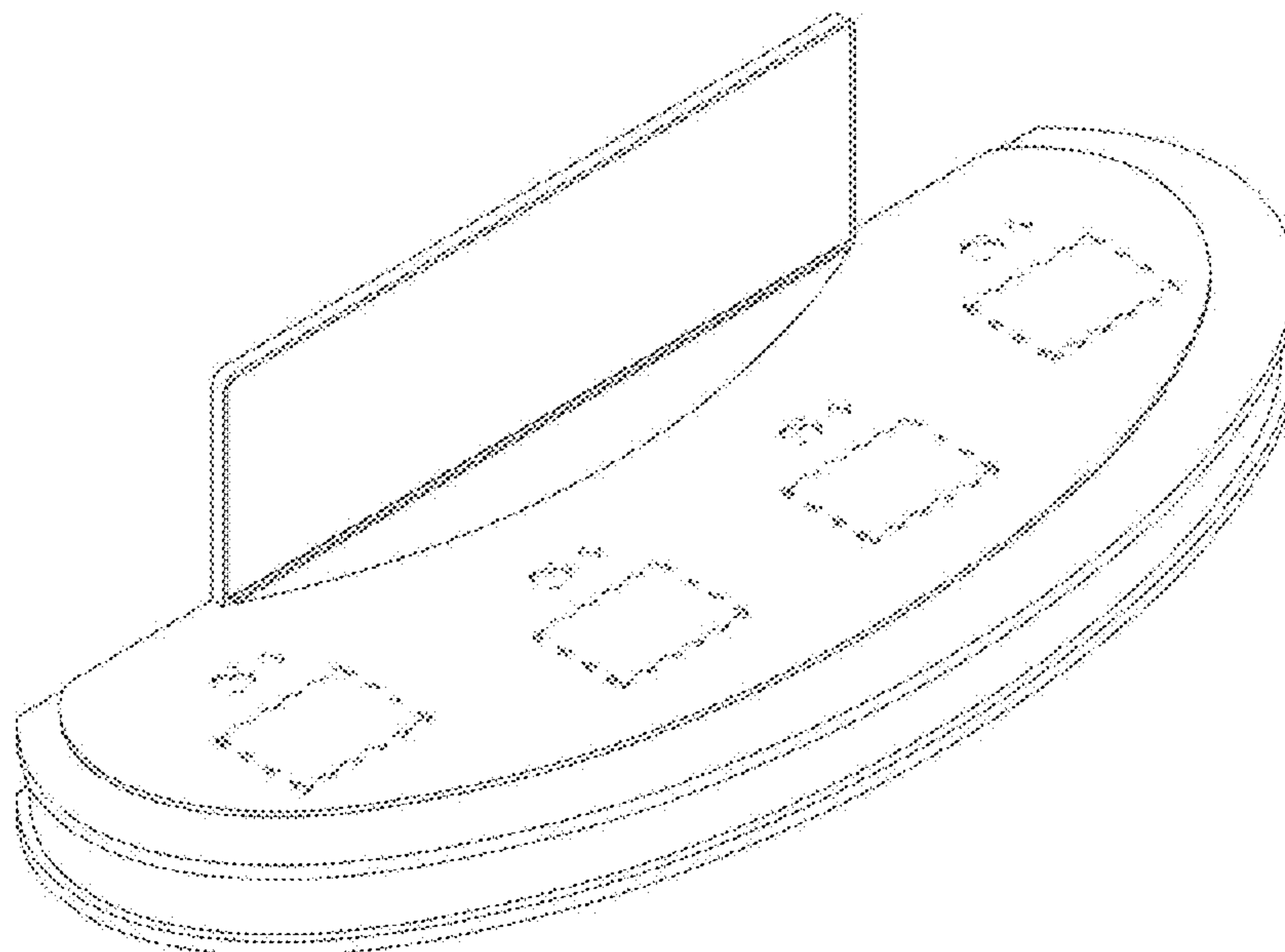
(57) **CLAIM**

The ornamental design for an exhibition table, as shown and described.

DESCRIPTION

FIG. 1 is a perspective view of an exhibition table showing my new design;
FIG. 2 is a front view thereof;
FIG. 3 is a left side view thereof;
FIG. 4 is a right side view thereof; and,
FIG. 5 is a top view thereof.
The bottom and rear views are flat and include no surface ornamentation.
The broken lines in the figures show portions of the exhibition table and environment that form no part of the claimed design.

1 Claim, 2 Drawing Sheets



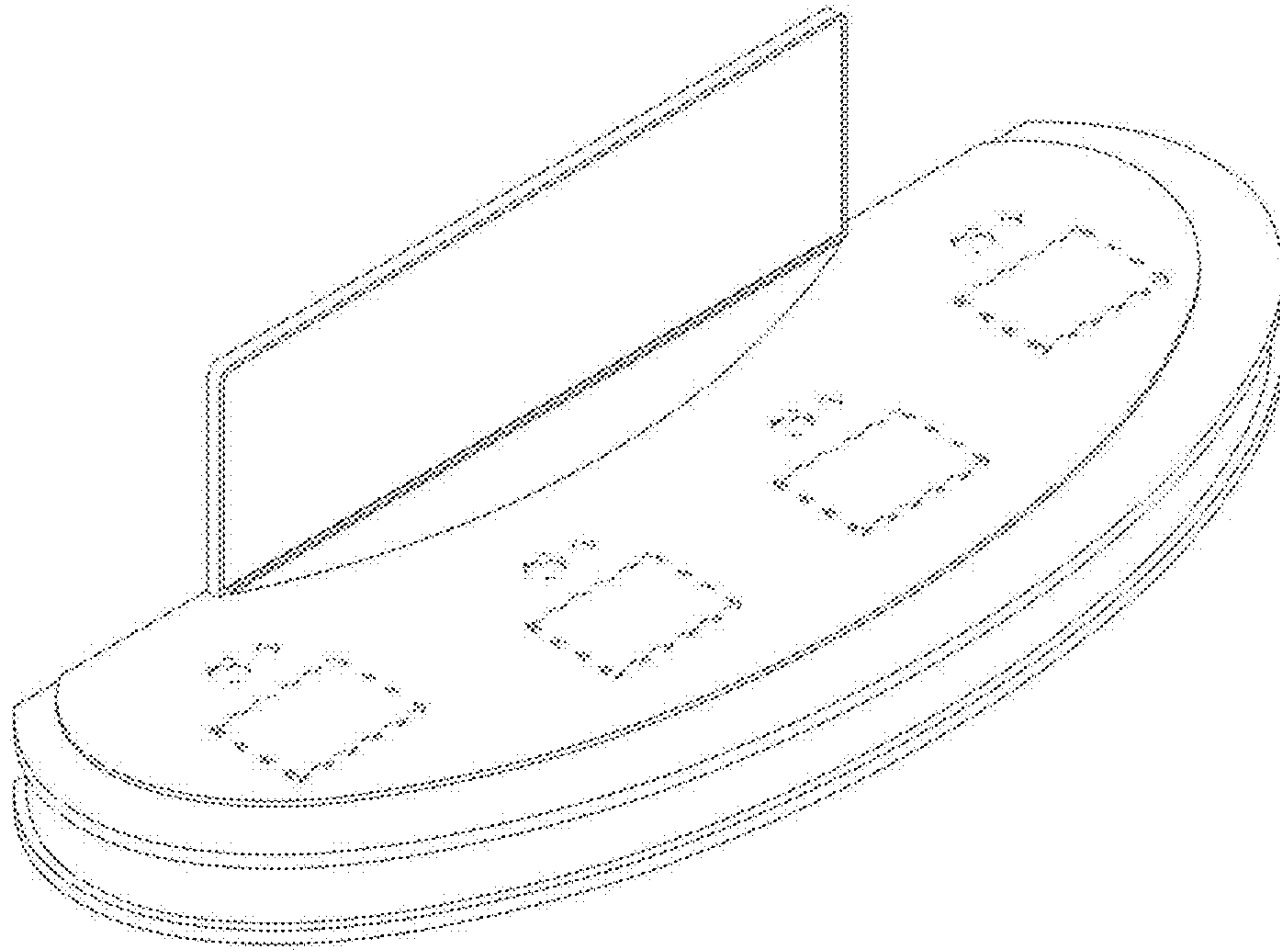


FIG. 1

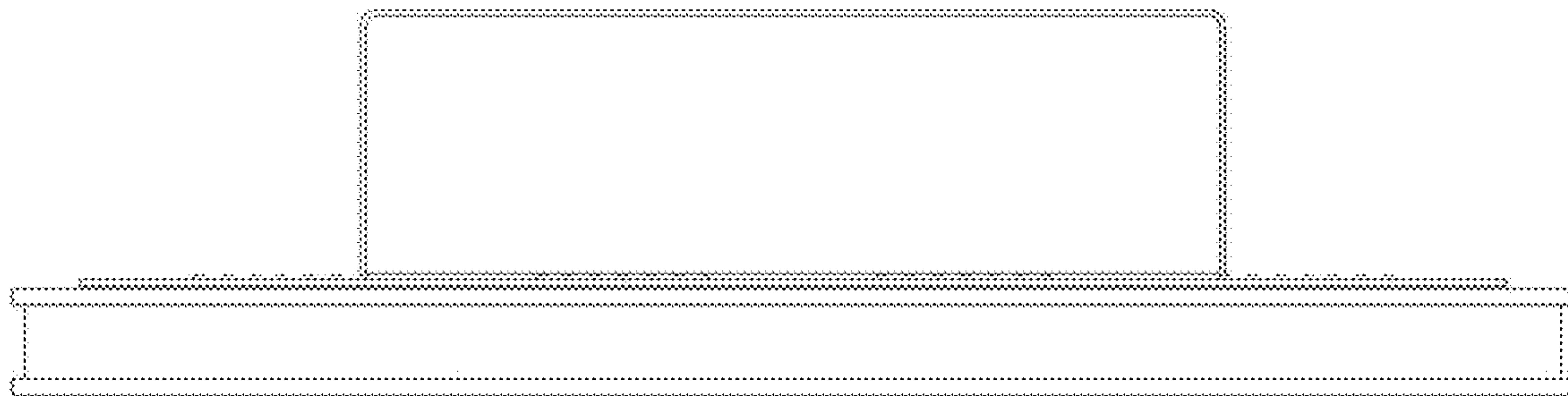


FIG. 2

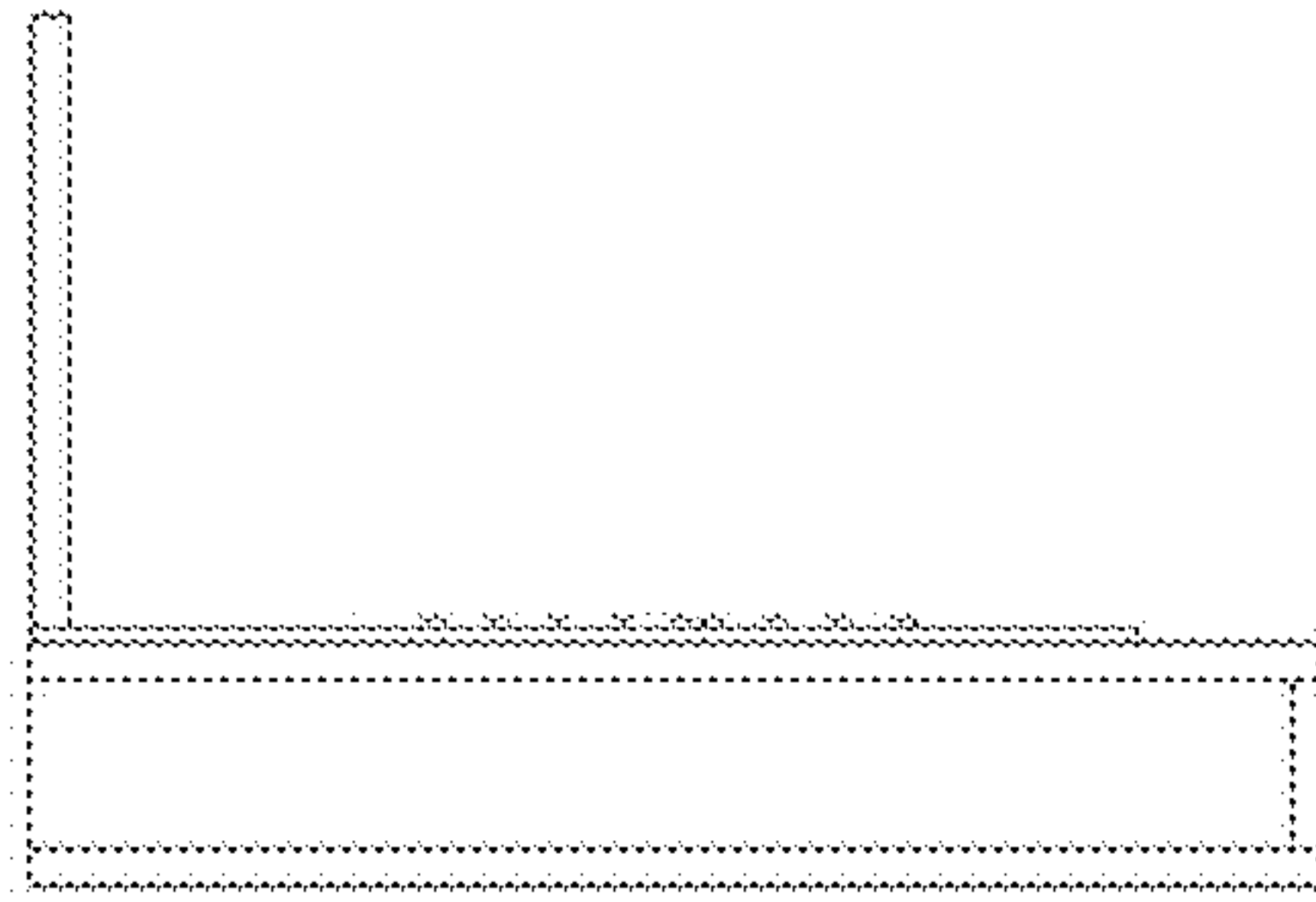


FIG. 3

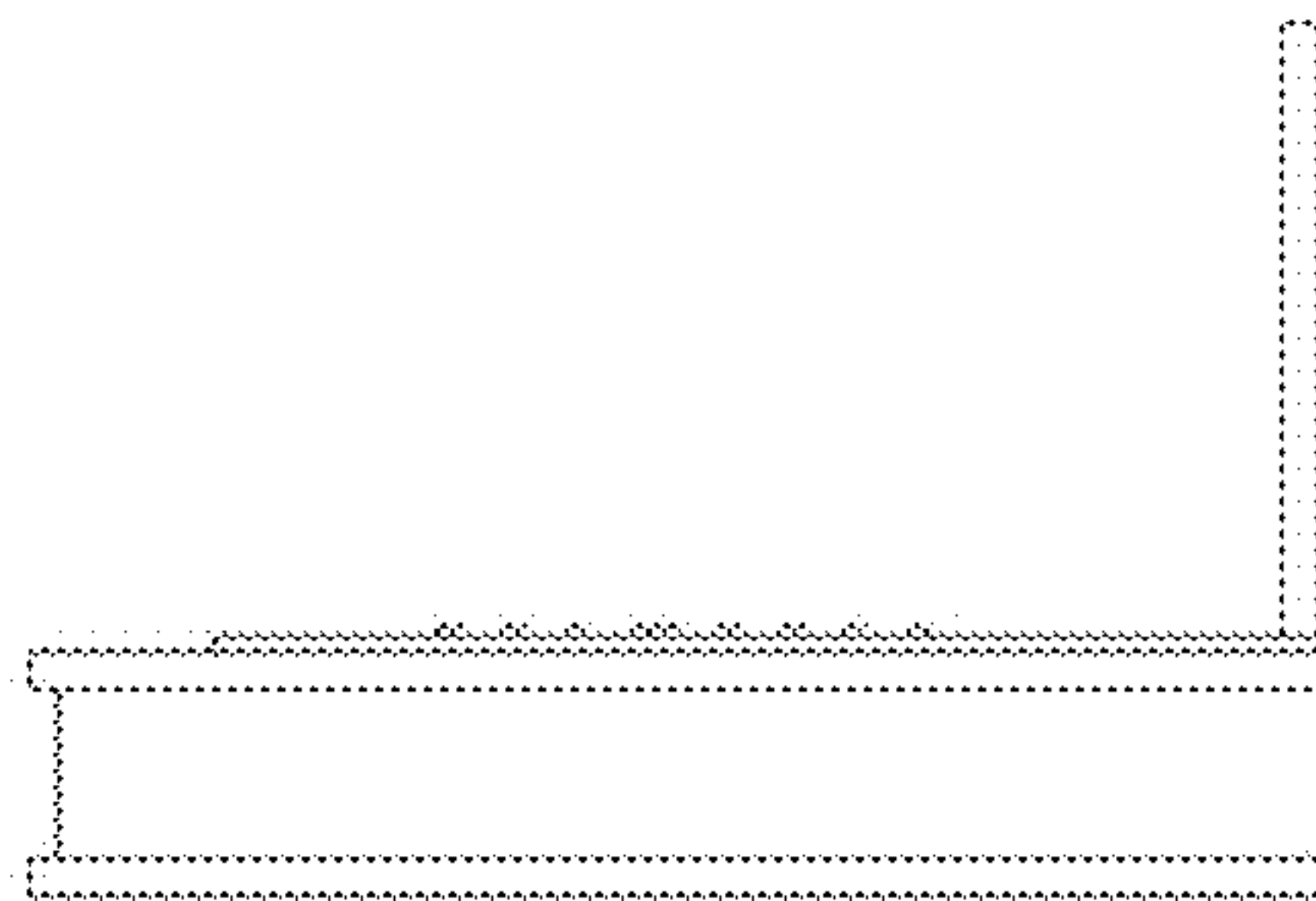


FIG. 4

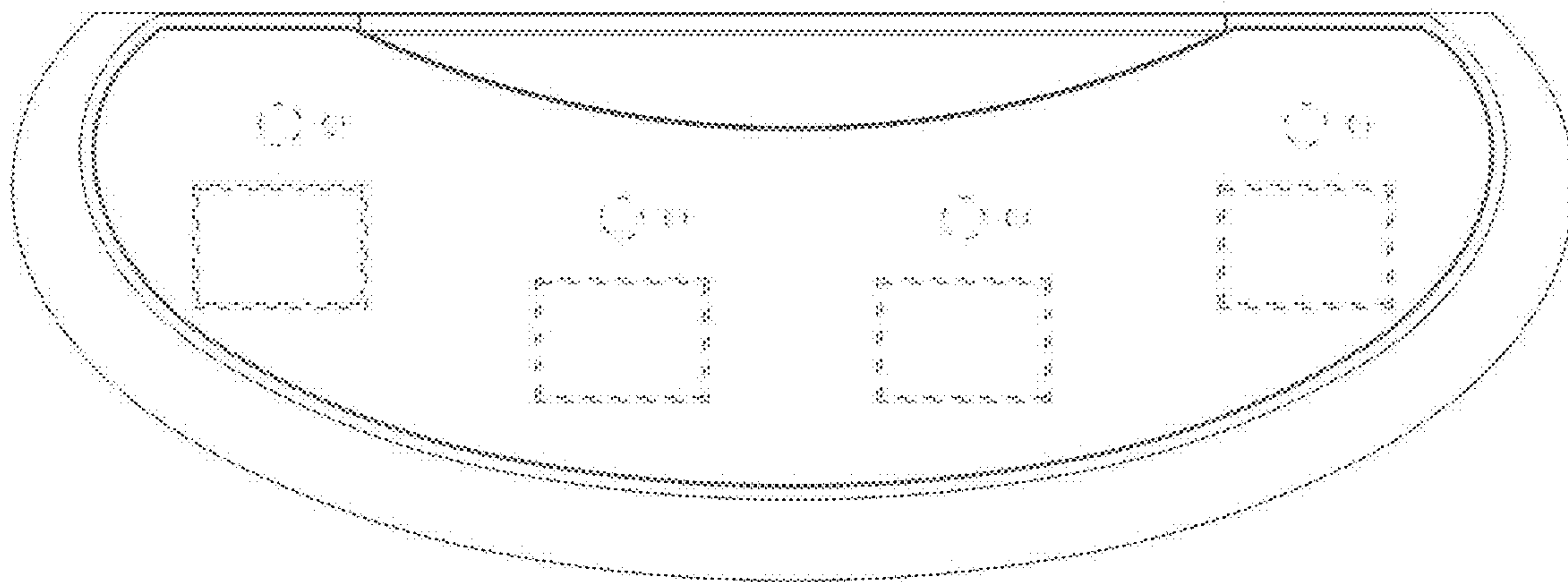


FIG. 5