



US00D887754S

(12) **United States Design Patent** (10) **Patent No.:** **US D887,754 S**
Reinhart et al. (45) **Date of Patent:** **** Jun. 23, 2020**

(54) **MODULAR WORKSTATION**
(71) Applicant: **Creative Plastic Concepts, LLC**,
Sycamore, OH (US)
(72) Inventors: **Nickolas Reinhart**, Findlay, OH (US);
Jacob H. Whitta, Findlay, OH (US)
(73) Assignee: **Creative Plastic Concepts, LLC**,
Sycamore, OH (US)

D448,200 S 9/2001 Sagol
6,286,824 B1 9/2001 Sagol
7,174,838 B2 2/2007 Sagol et al.
D564,250 S 3/2008 Haimoff
D566,419 S 4/2008 Naim
7,415,933 B2 8/2008 Sagol
D620,286 S 7/2010 Carmon
D632,103 S 2/2011 Apelbaum
D656,342 S 3/2012 Blitzer
D829,029 S * 9/2018 Reinhart D6/684
10,064,482 B2 * 9/2018 Leafgren A47F 5/16
D842,633 S * 3/2019 Reinhart A47F 5/16
D6/684
2018/0235359 A1 * 8/2018 Reinhart A47B 3/12

(**) Term: **15 Years**
(21) Appl. No.: **29/637,737**

* cited by examiner

(22) Filed: **Feb. 21, 2018**
(51) **LOC (12) Cl.** **06-03**
(52) **U.S. Cl.**
USPC **D6/684**
(58) **Field of Classification Search**
USPC D6/349, 353, 684–686, 691, 691.1–691.9
CPC .. A47B 3/00; A47B 3/002; A47B 3/12; A47B
2003/006; A47B 7/00; A47B 9/00; A47B
13/00; A47B 13/02; A47B 13/04; A47B
13/06; A47B 13/08; A47B 13/10; A47B
17/00; A47B 21/00; A47B 2200/0001;
A47B 2200/0011; A47B 2200/002; A47B
2200/0035; B25H 1/00; B25H 1/0042;
B25H 1/02; B25H 1/04
See application file for complete search history.

Primary Examiner — Mary Ann Calabrese
(74) *Attorney, Agent, or Firm* — Jacob M. Ward; Ward
Law Office LLC

(57) **CLAIM**

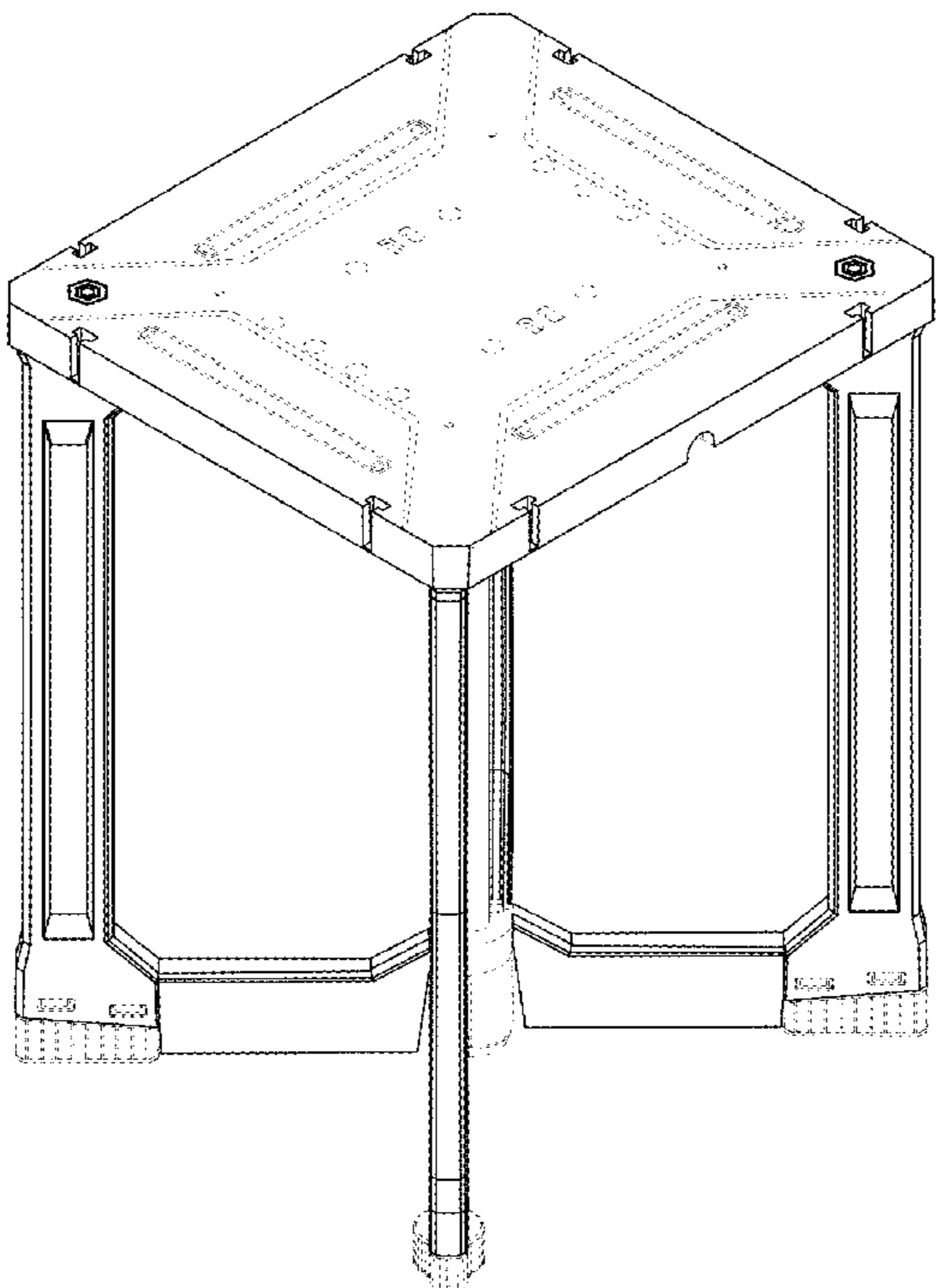
The ornamental design for a modular workstation, as shown
and described.

DESCRIPTION

FIG. 1 is a top perspective view of a modular workstation;
FIG. 2 is a bottom perspective view thereof;
FIG. 3 is a top plan view thereof;
FIG. 4 is a bottom plan view thereof;
FIG. 5 is a front elevational view thereof;
FIG. 6 is a rear elevational view thereof;
FIG. 7 is a left side elevational view thereof; and,
FIG. 8 is a right side elevational view thereof.
In the drawings, the broken lines represent portions of the
modular workstation that form no part in the claimed design.

(56) **References Cited**
U.S. PATENT DOCUMENTS
3,669,031 A 6/1972 Cole
D385,132 S 10/1997 Sagol

1 Claim, 5 Drawing Sheets



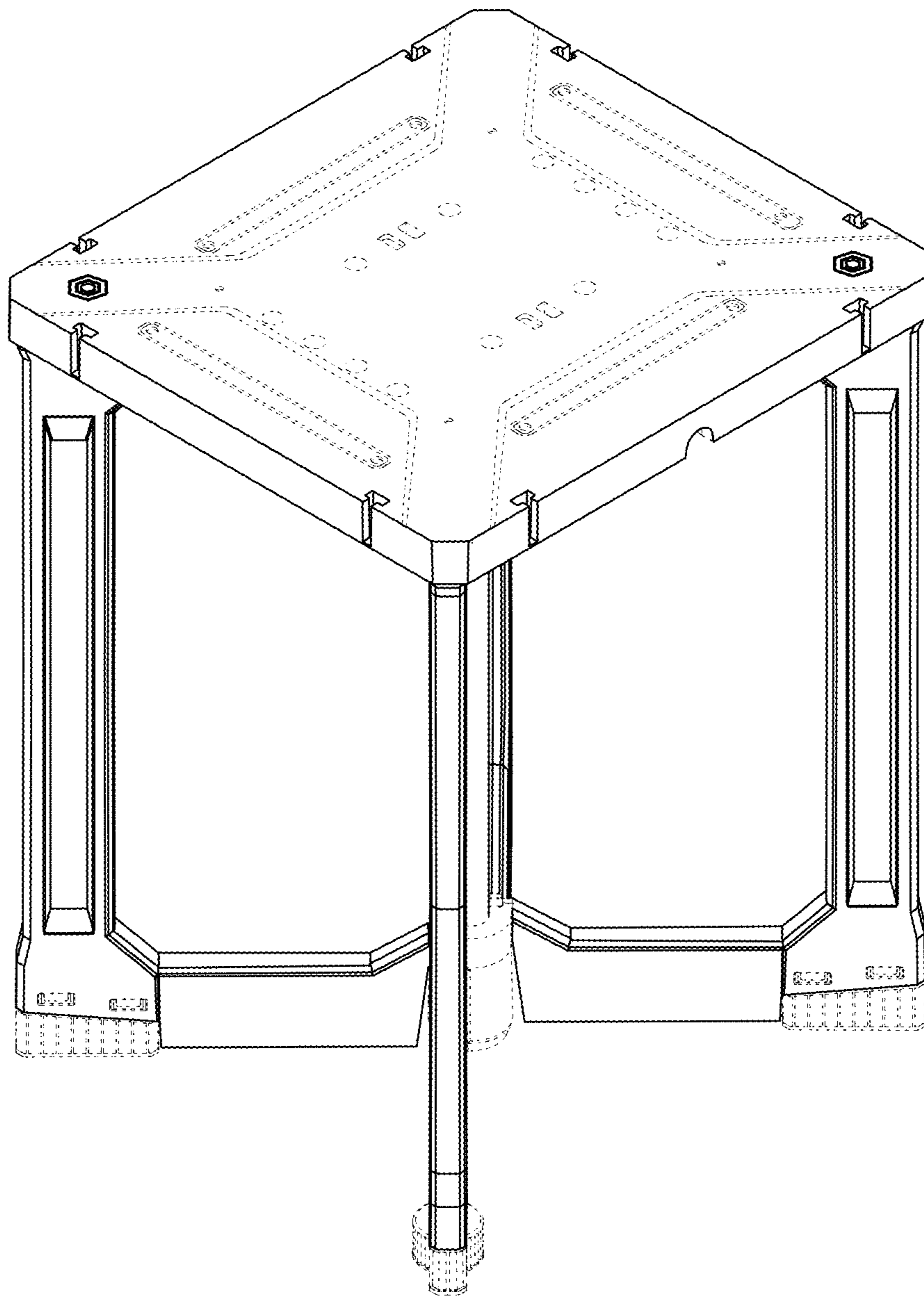


FIG. 1

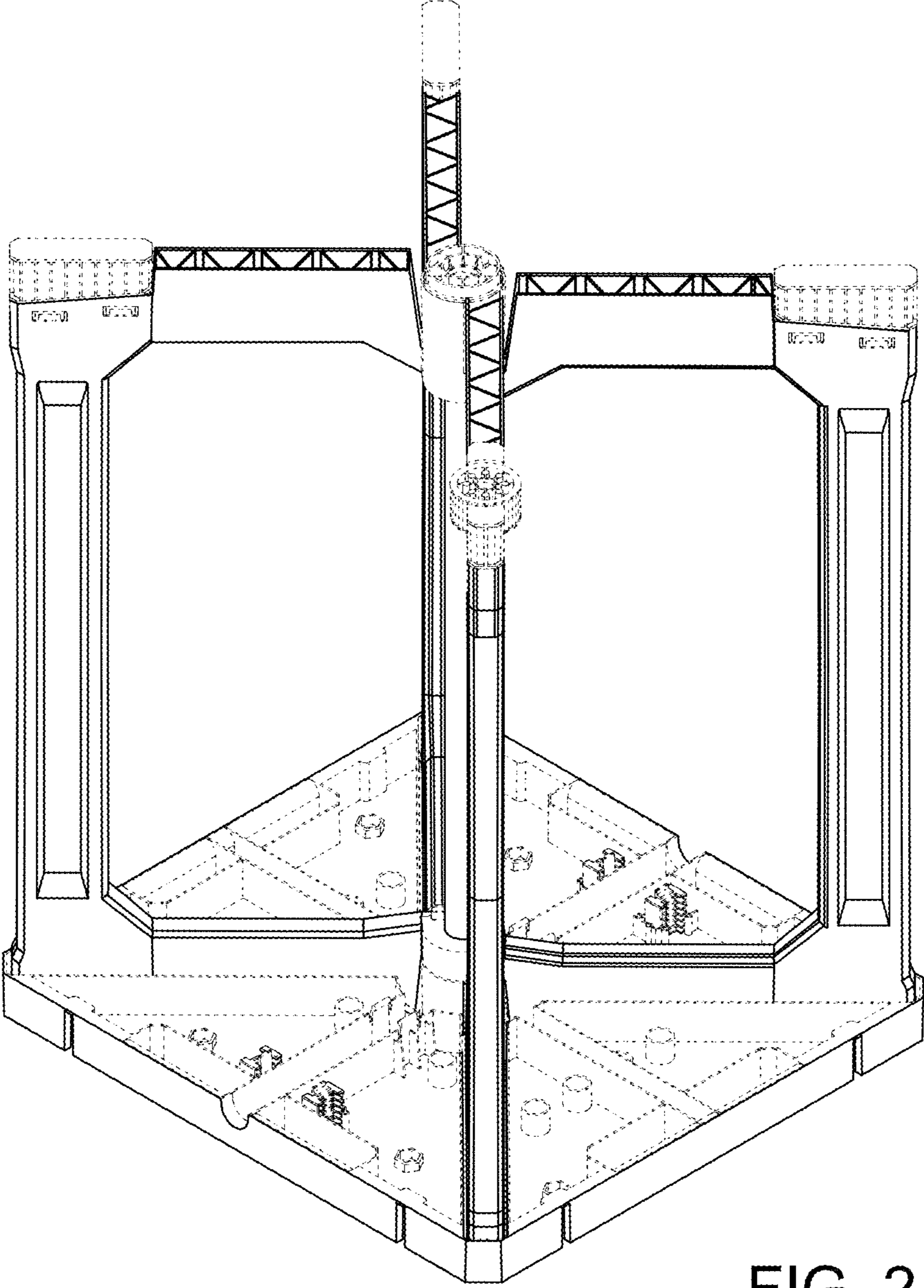


FIG. 2

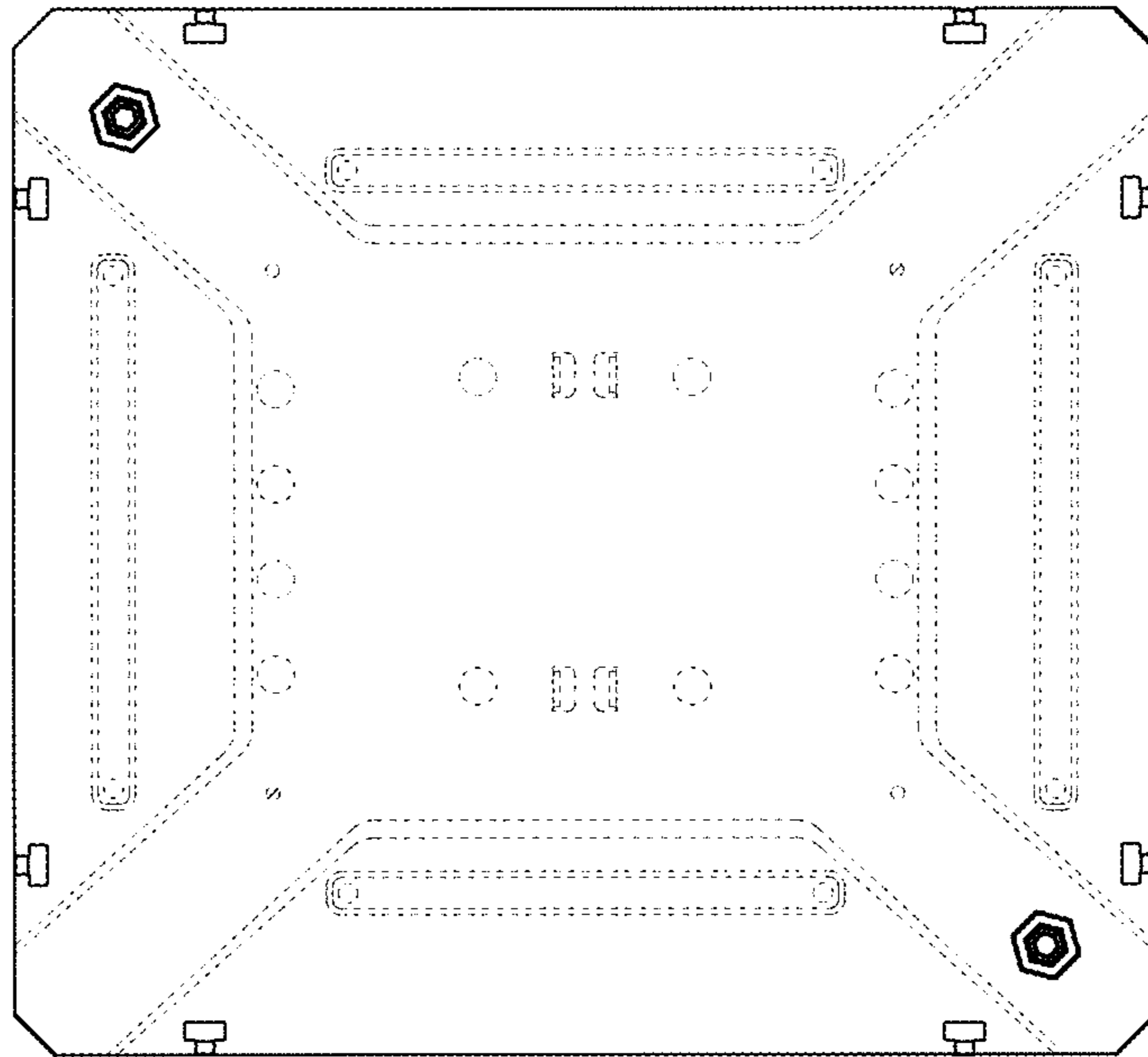


FIG. 3

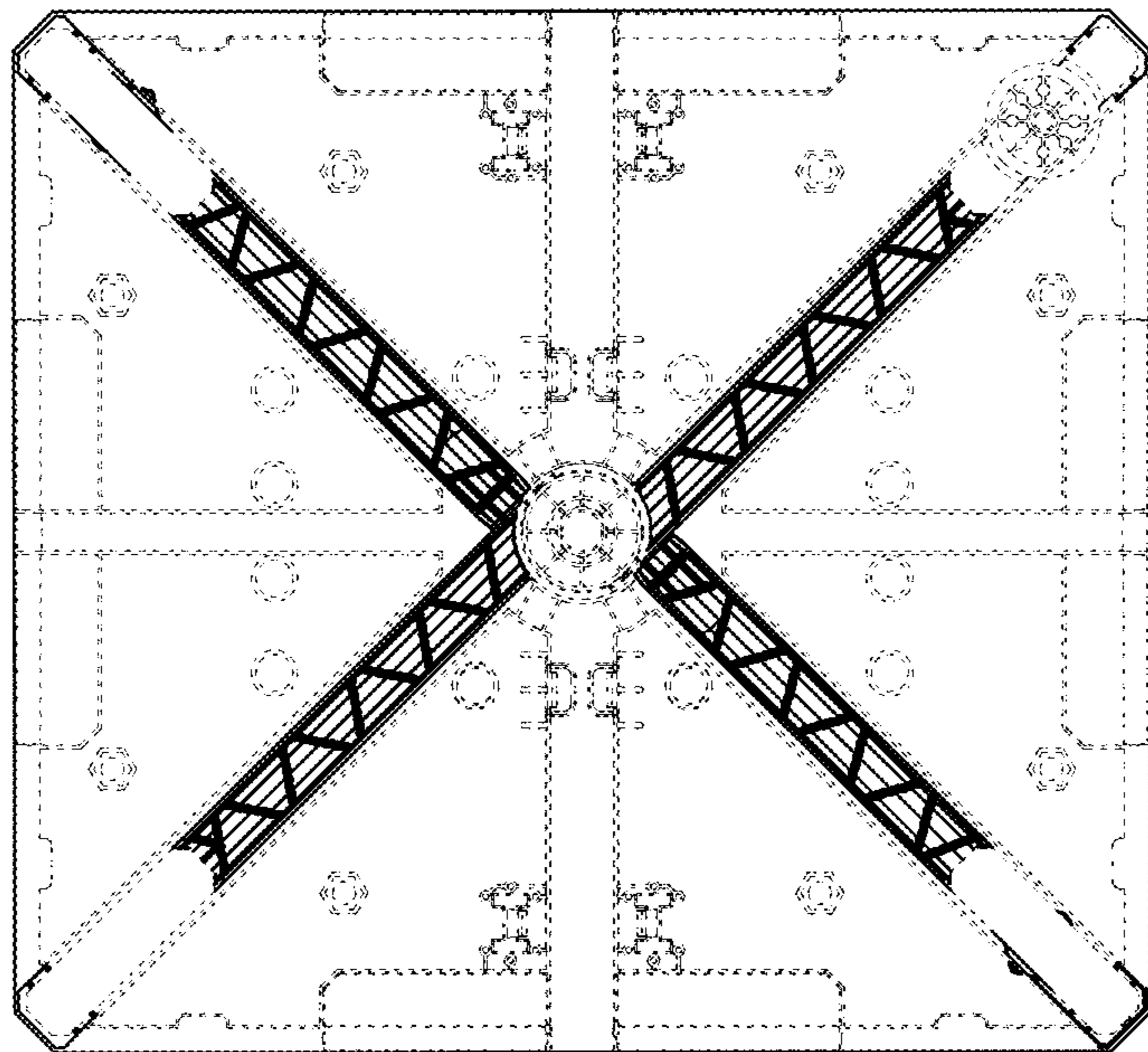


FIG. 4

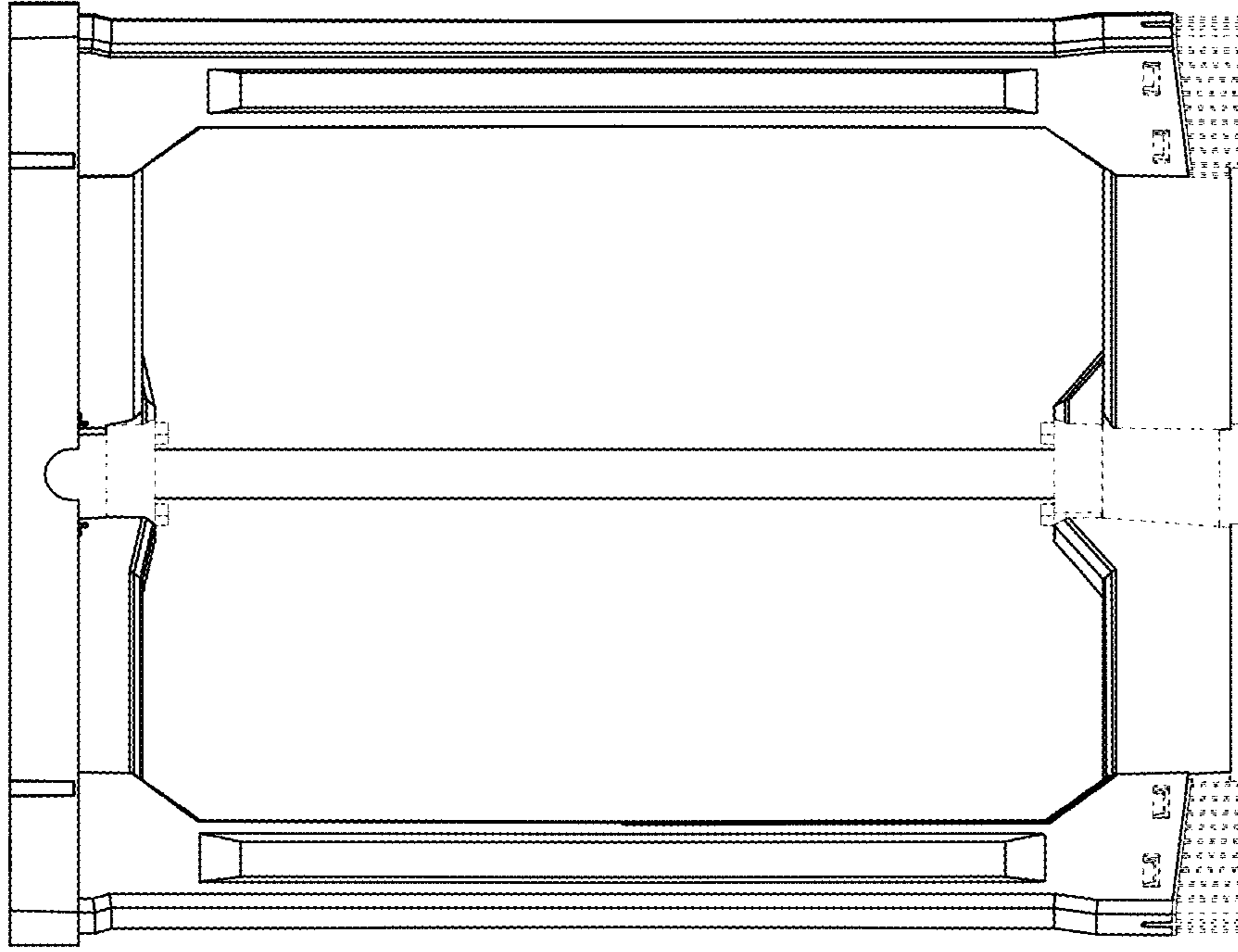


FIG. 5

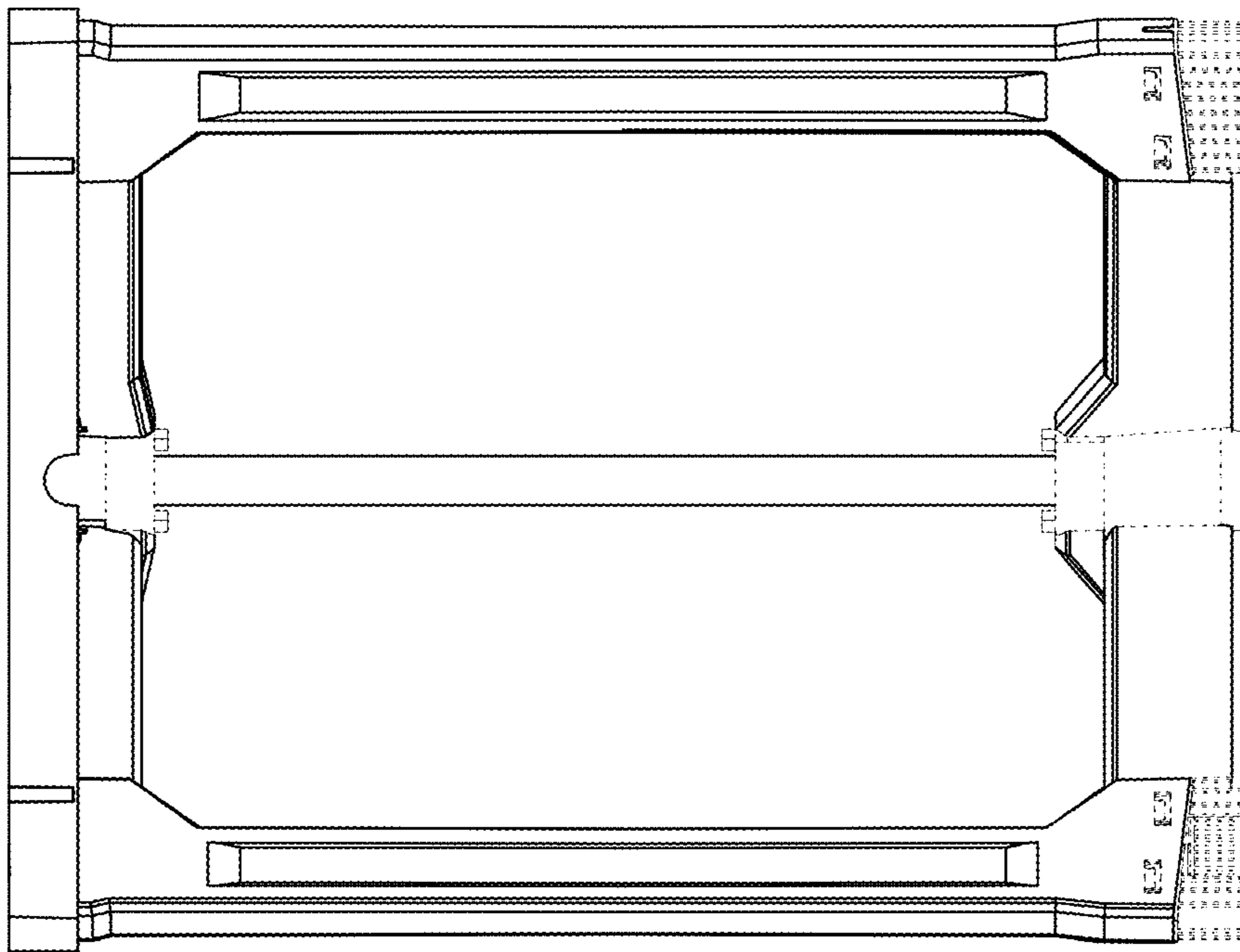


FIG. 6

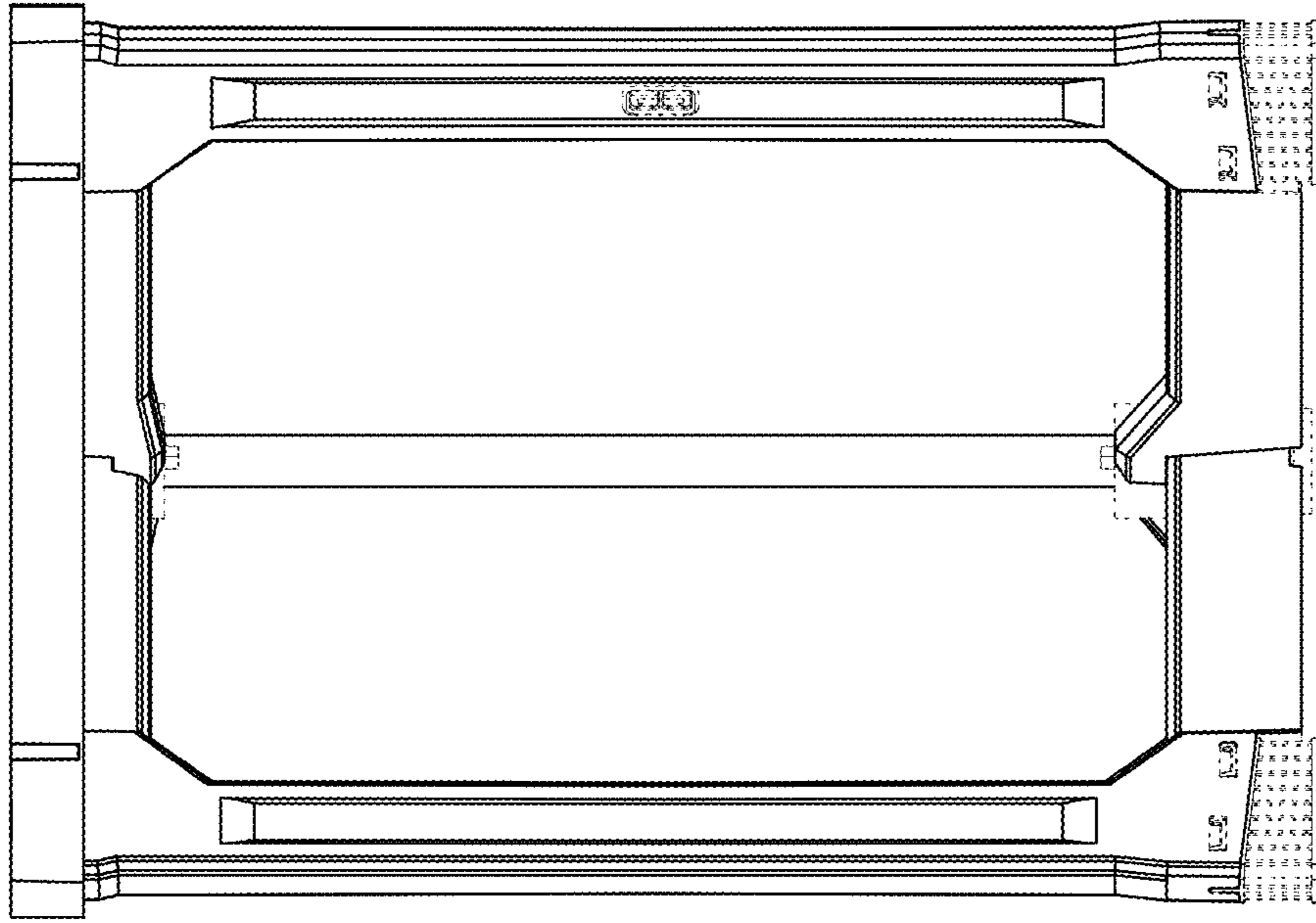


FIG. 8

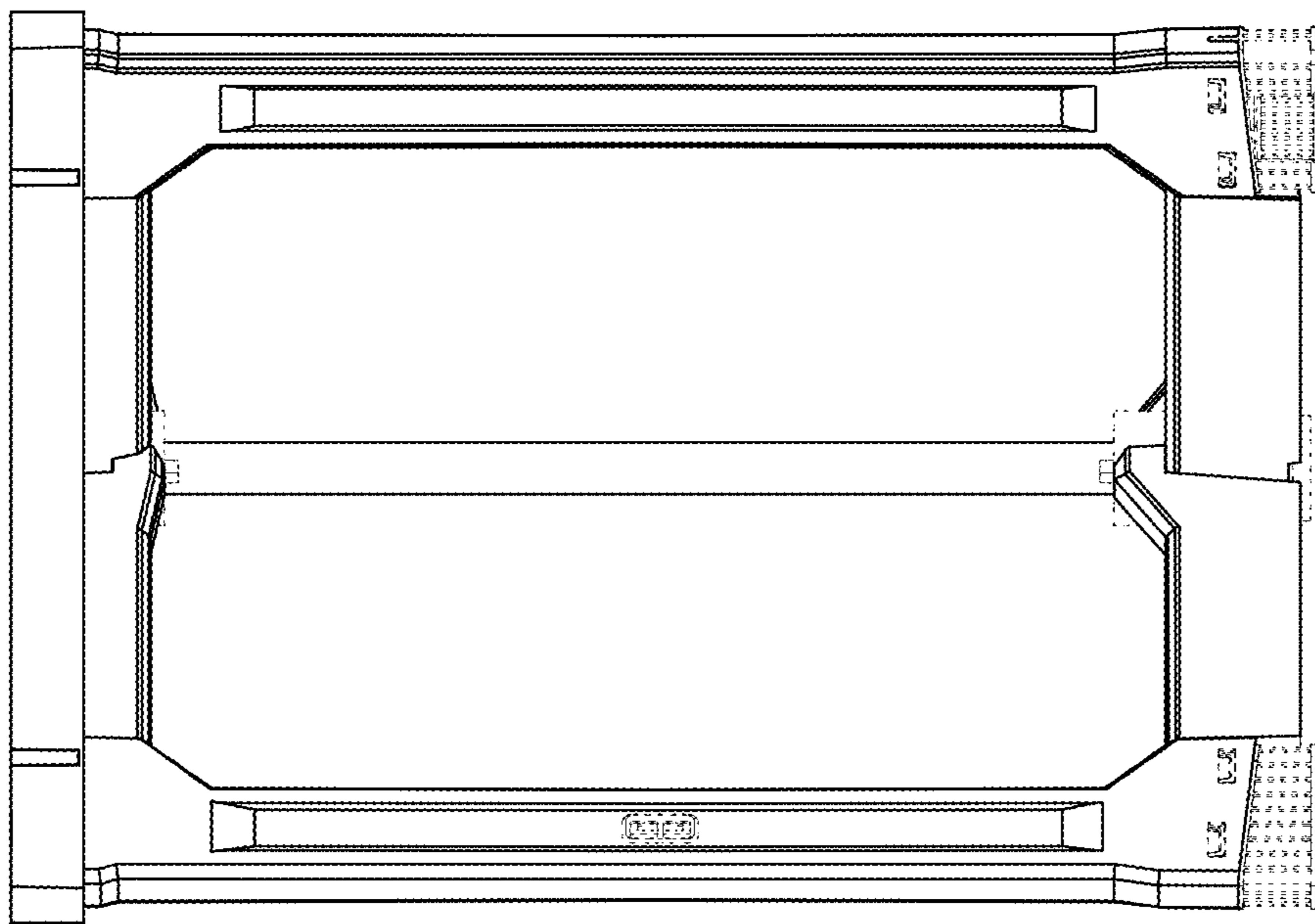


FIG. 7