



US00D887751S

(12) **United States Design Patent**
McConville

(10) **Patent No.:** **US D887,751 S**

(45) **Date of Patent:** **** Jun. 23, 2020**

(54) **STRINGED INSTRUMENT WORK STATION**

(71) Applicant: **Michael McConville**, Stratford (CA)

(72) Inventor: **Michael McConville**, Stratford (CA)

(73) Assignee: **Stringtech Workstations Inc.**, Harrow,
Ontario (CA)

(**) Term: **15 Years**

(21) Appl. No.: **29/647,644**

(22) Filed: **May 15, 2018**

(51) **LOC (12) Cl.** **06-06**

(52) **U.S. Cl.**
USPC **D6/682**

(58) **Field of Classification Search**
USPC D6/675, 675.1-675.2, 682, 700-701;
D14/205, 209.1
CPC G10G 5/00; G10G 5/005; G10G 7/00;
G10G 7/005; A47F 5/00; A47F 5/0081;
A47F 7/005

See application file for complete search history.

(56) **References Cited**

U.S. PATENT DOCUMENTS

D283,960 S *	5/1986	Giannotti, Jr.	D6/682
D292,600 S *	11/1987	Wagner	D13/171
D301,234 S *	5/1989	Boyer	D13/169
D338,275 S *	8/1993	Fischer	D24/216
6,433,265 B1	8/2002	McConville		
D471,271 S *	3/2003	Stromberg	D24/107

D496,192 S *	9/2004	Walker	D6/682
D641,993 S *	7/2011	Scott	D6/682
D666,162 S *	8/2012	Petrillo	D13/168
D821,787 S *	7/2018	Wang	D6/682

* cited by examiner

Primary Examiner — Kelley A Donnelly

(57) **CLAIM**

The ornamental design for a stringed instrument work station, as shown and described.

DESCRIPTION

FIG. 1 is a top perspective view of an embodiment of the stringed instrument work station of the invention in which a head support and a body support thereof are both in retracted positions thereof;

FIG. 2 is a first side view thereof;

FIG. 3 is a lower end view thereof;

FIG. 4 is a second side view thereof;

FIG. 5 is an upper end view thereof;

FIG. 6 is a top view thereof;

FIG. 7 is a top perspective view thereof in which the head support and the body support are in raised positions thereof;

FIG. 8 is another top perspective view thereof;

FIG. 9 is a first side view thereof;

FIG. 10 is a lower end view thereof;

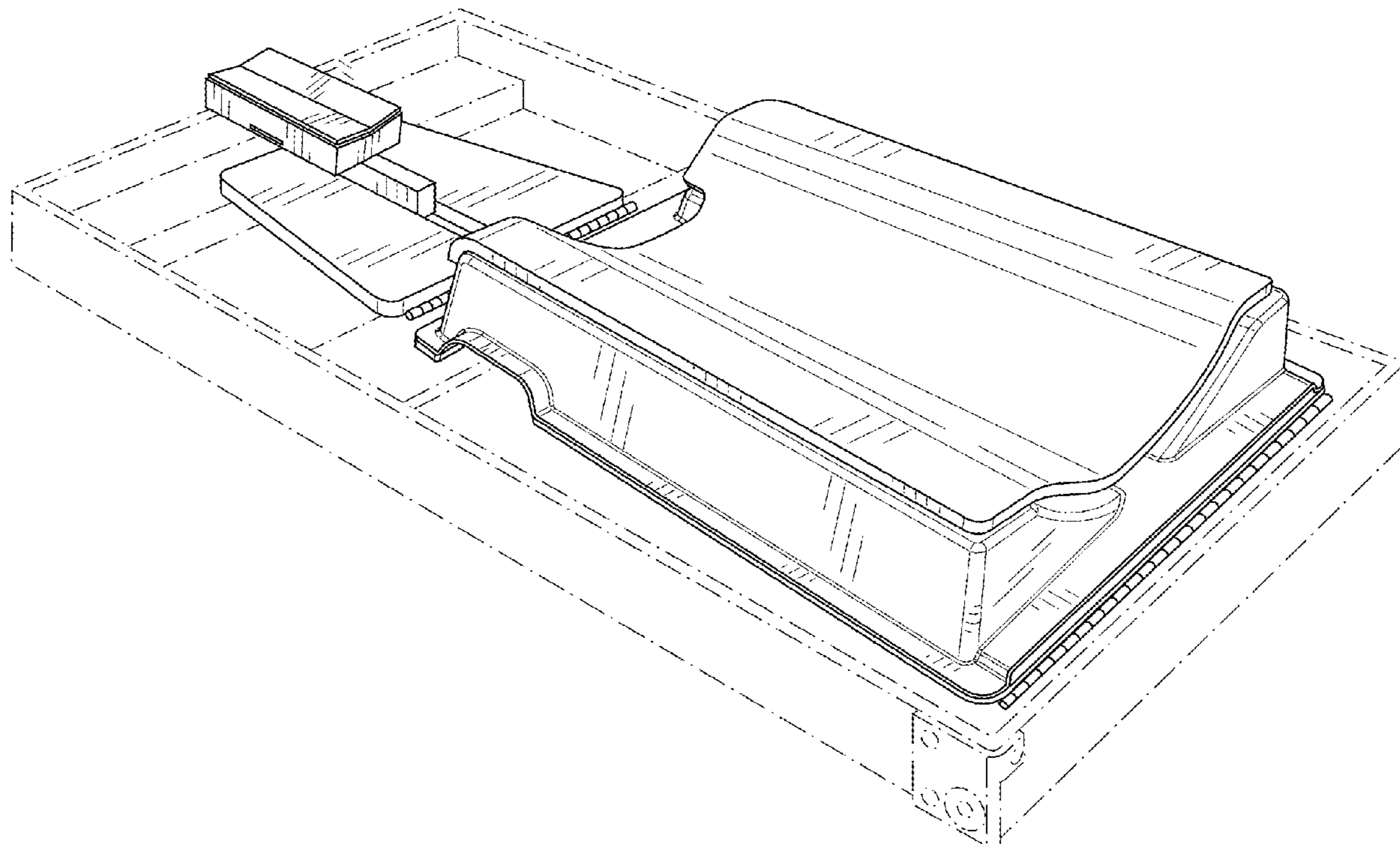
FIG. 11 is a second side view thereof;

FIG. 12 is an upper end view thereof; and,

FIG. 13 is a top view thereof.

The portions shown in the drawings in stippled lines do not form part of the design.

1 Claim, 13 Drawing Sheets



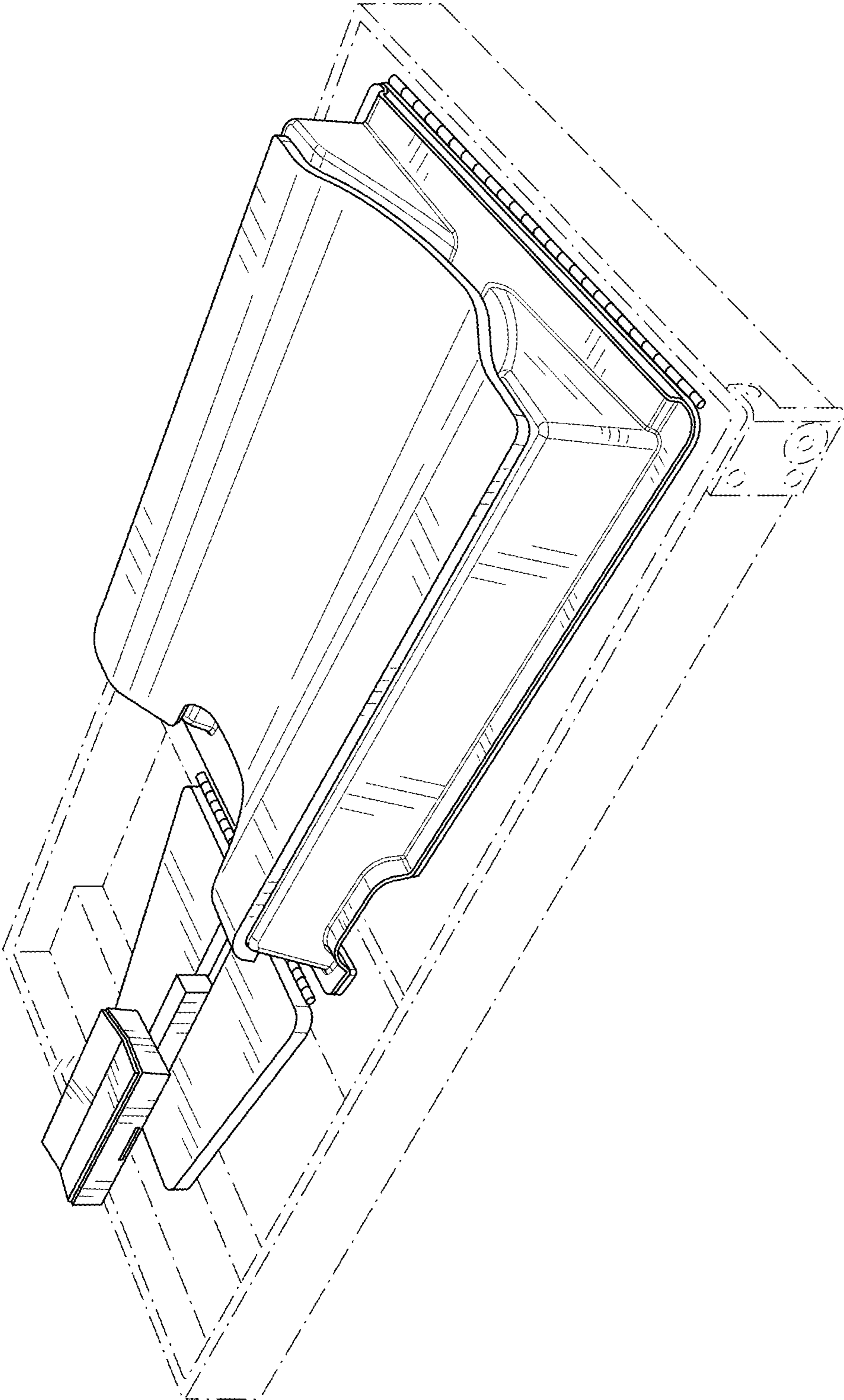


FIG. 1

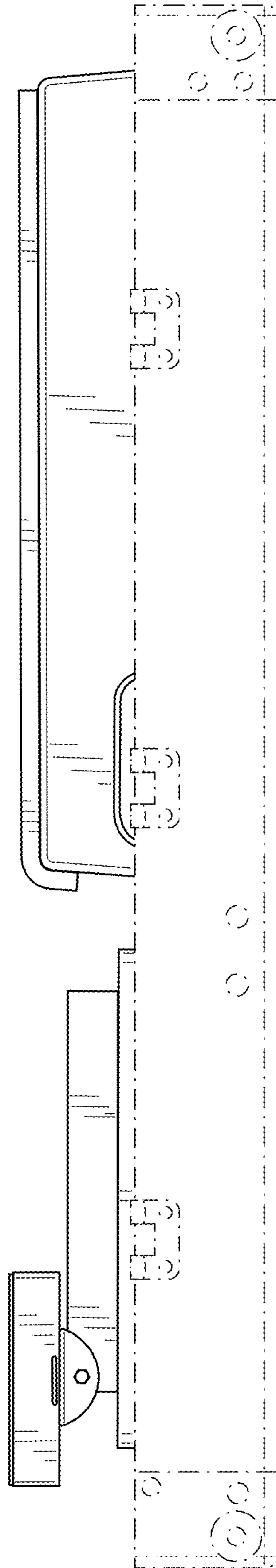


FIG. 2

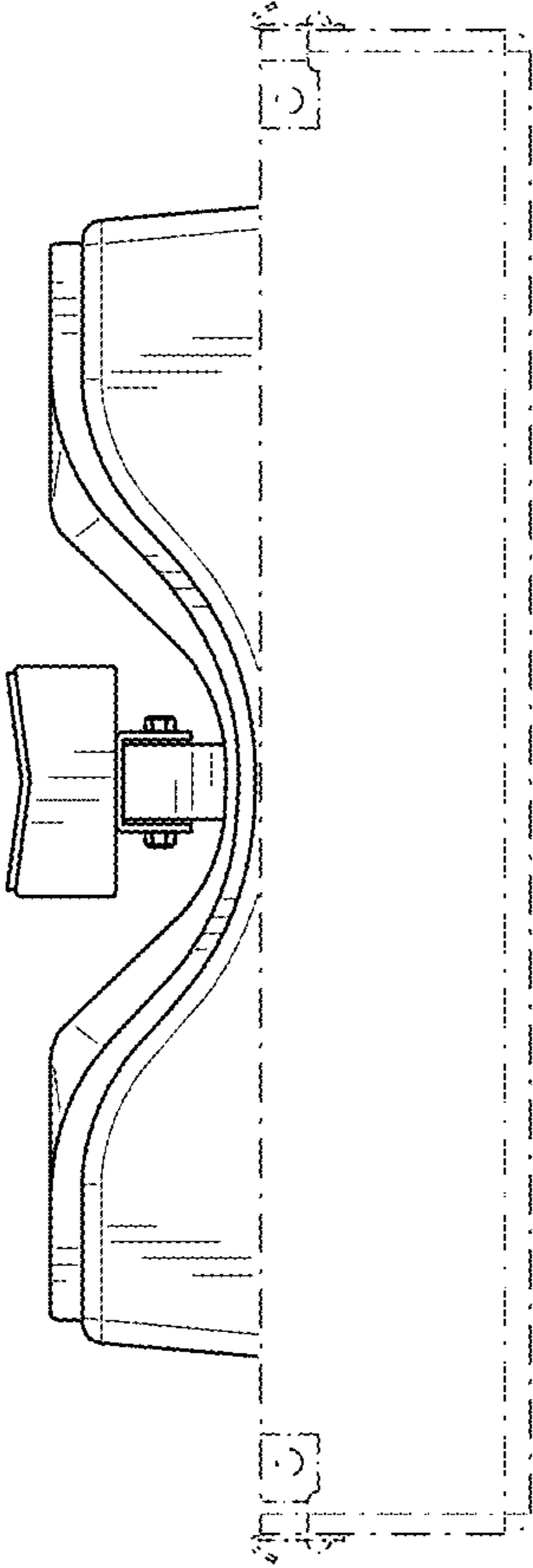


FIG. 3

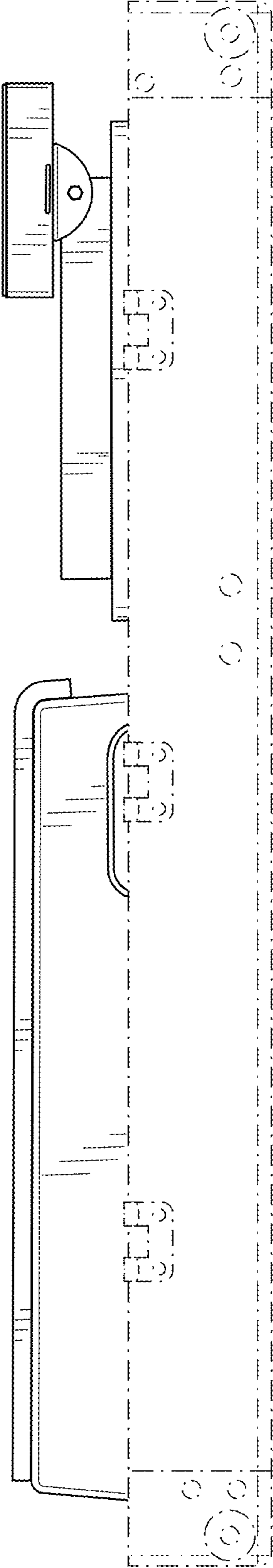


FIG. 4

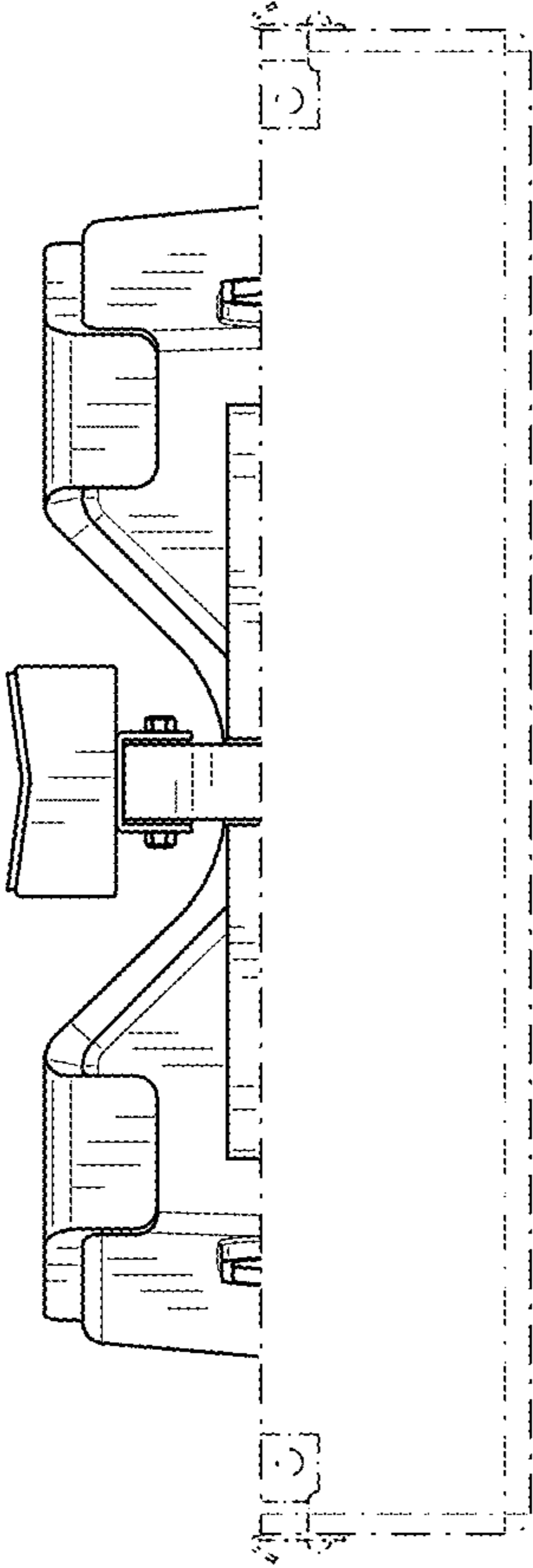


FIG. 5

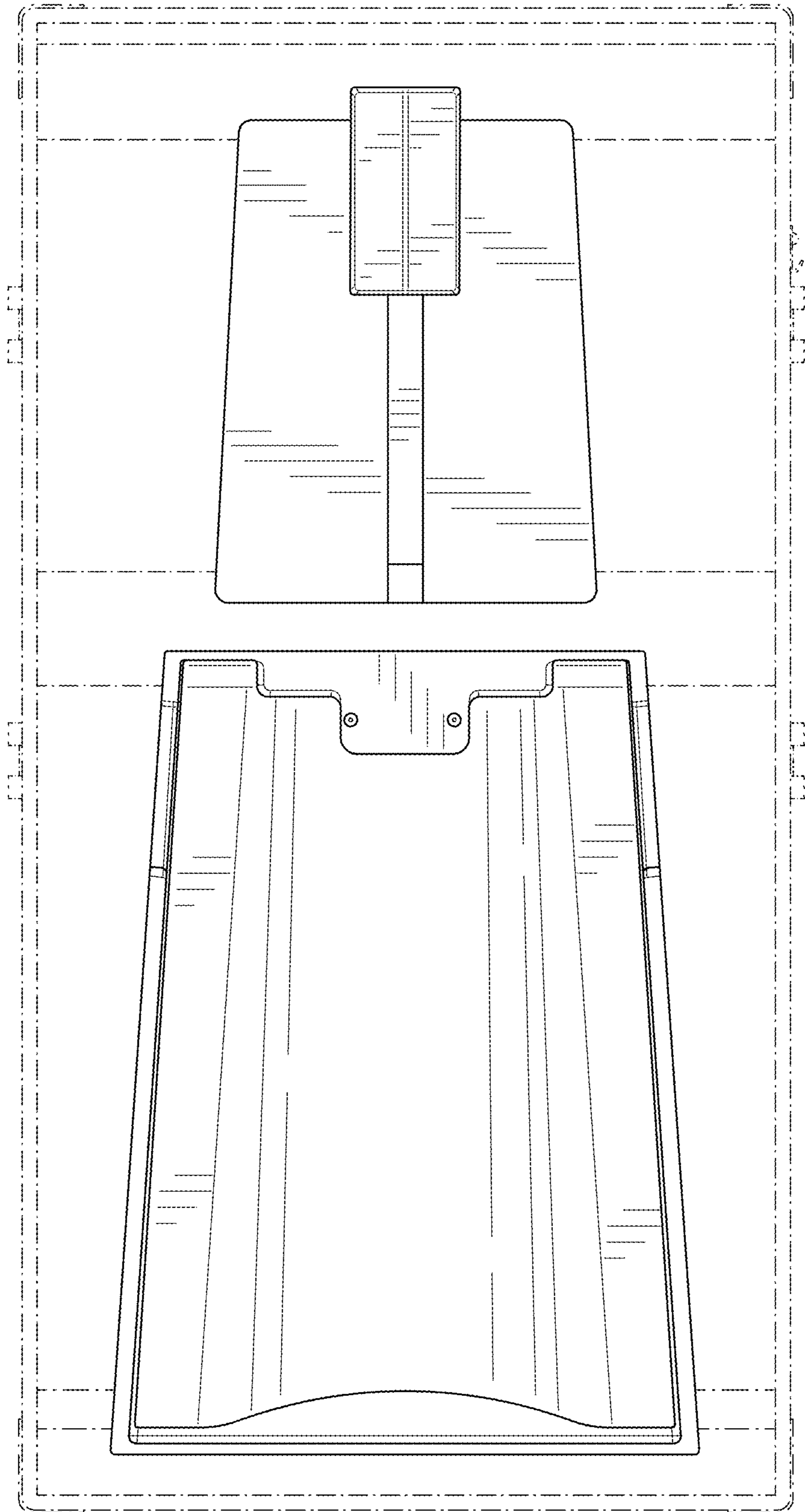


FIG. 6

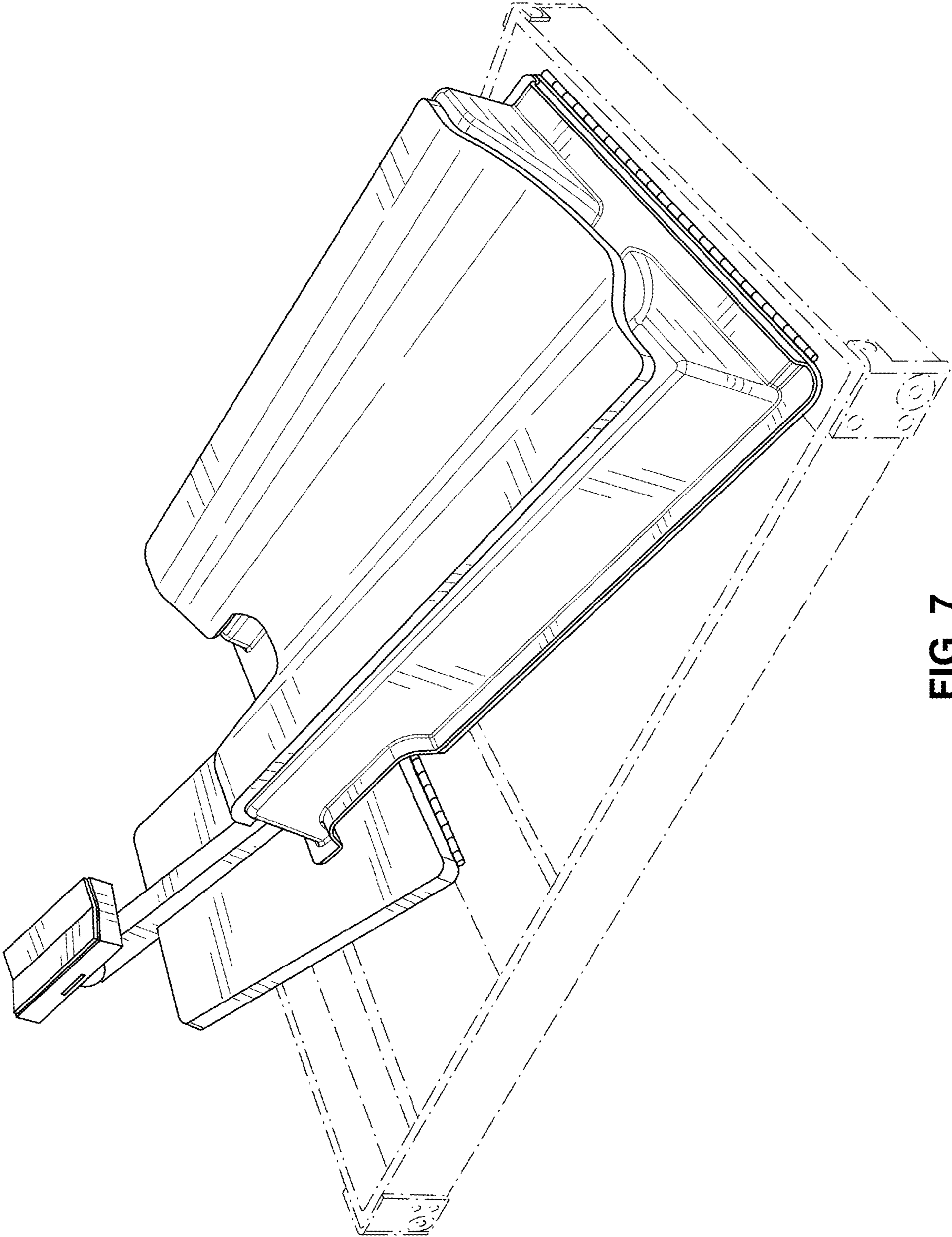


FIG. 7

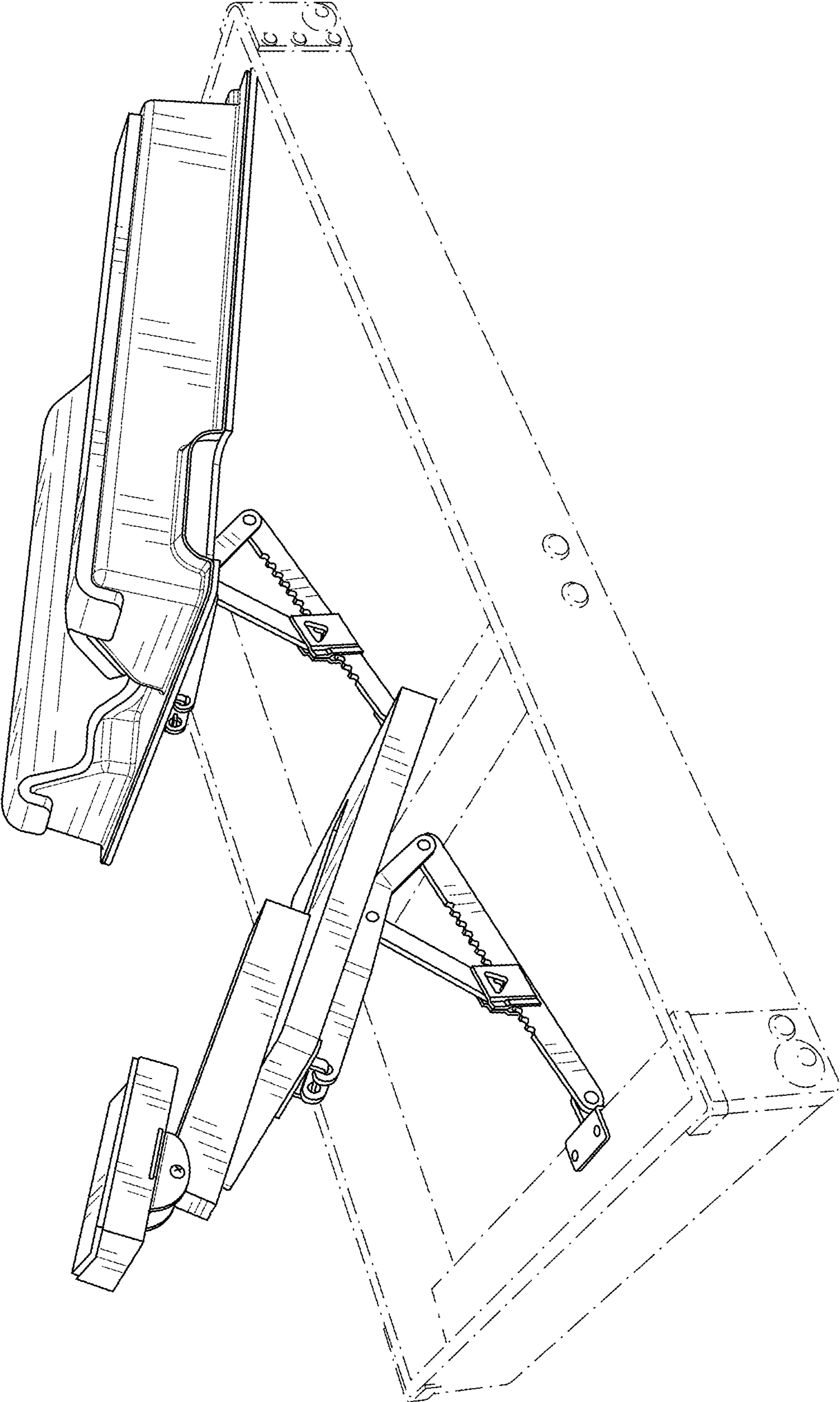


FIG. 8

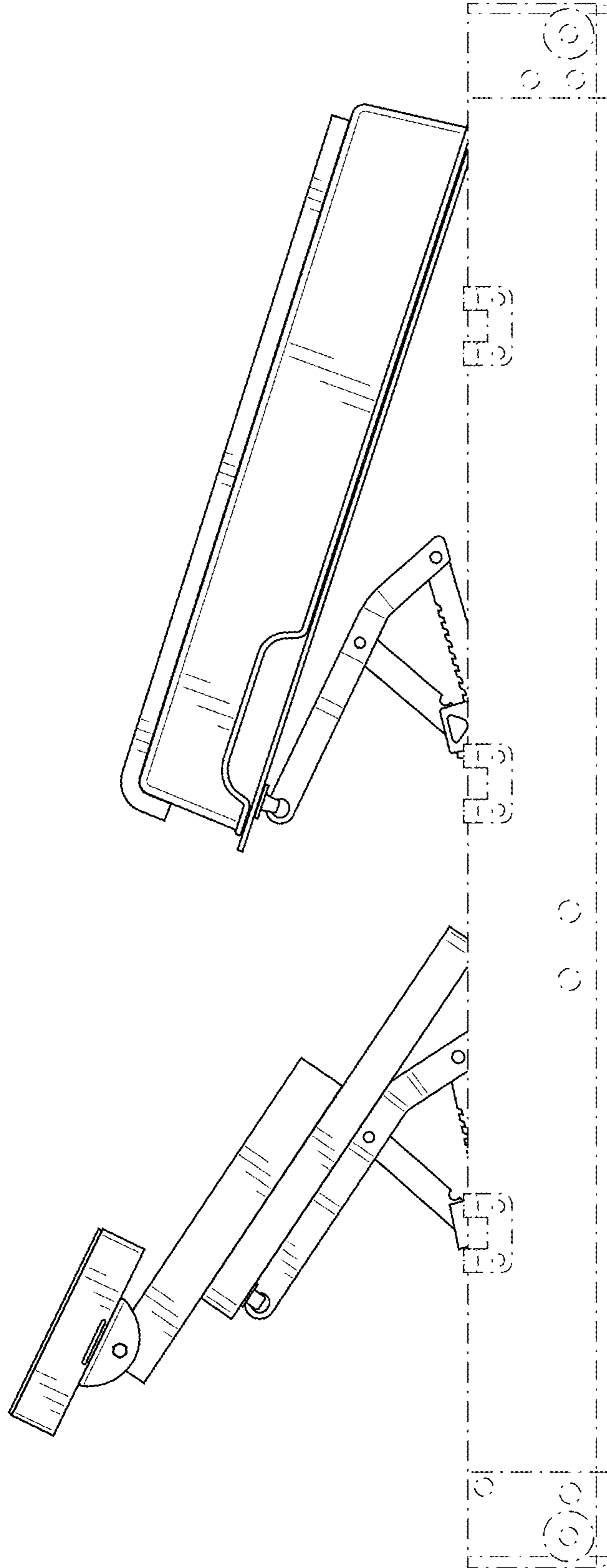


FIG. 9

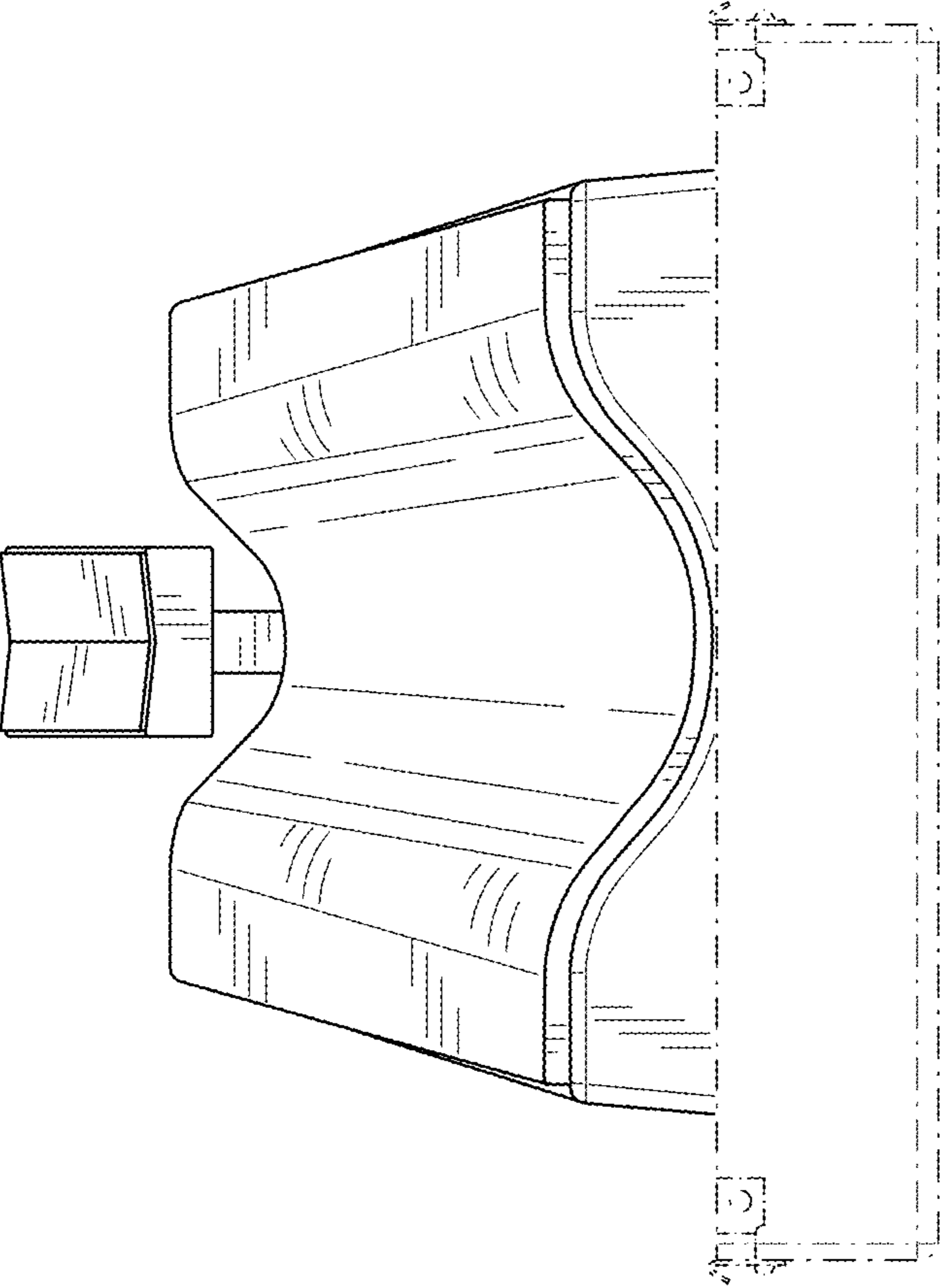


FIG. 10

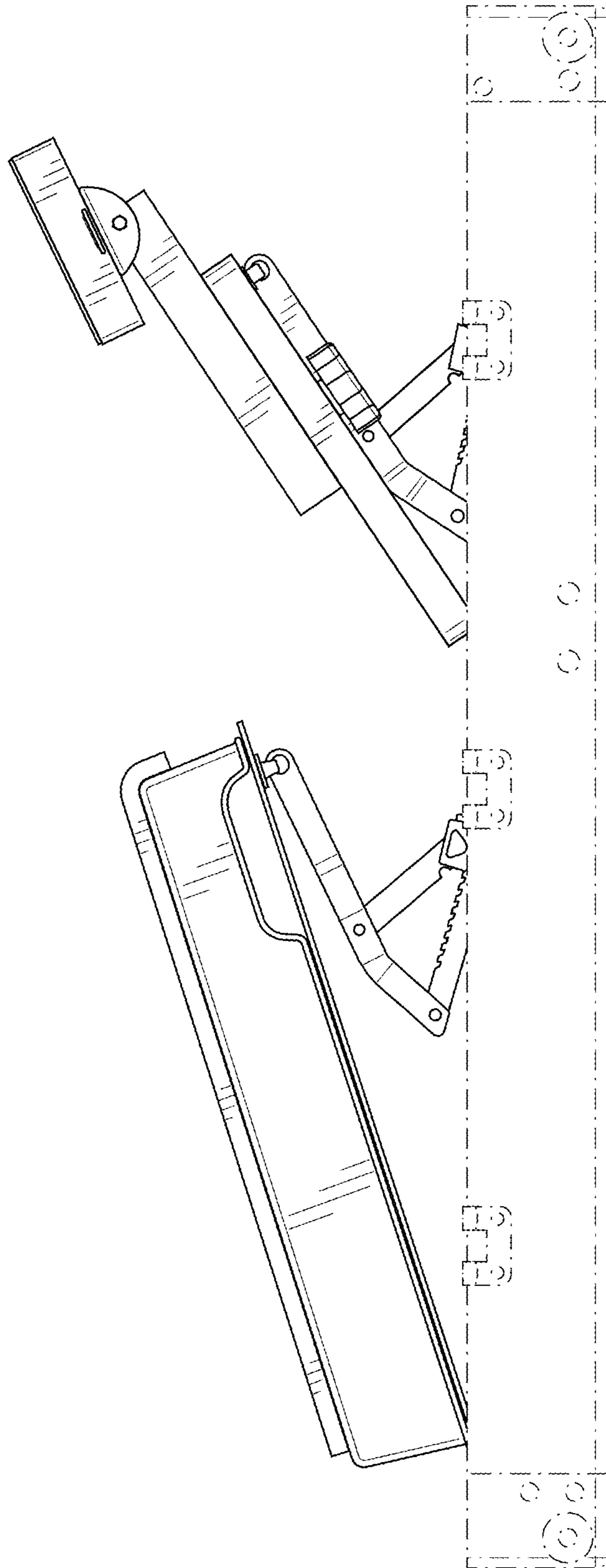


FIG. 11

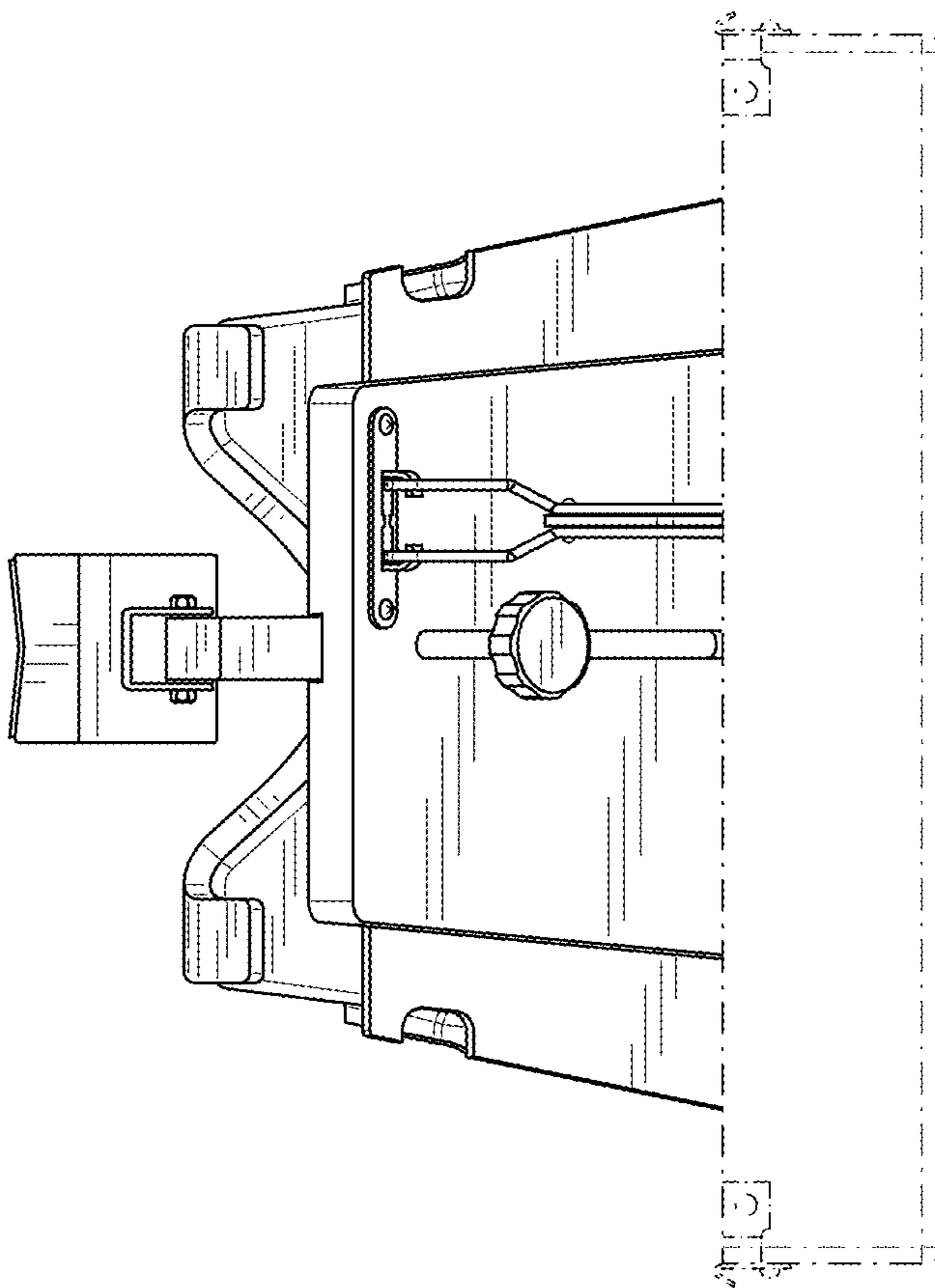


FIG. 12

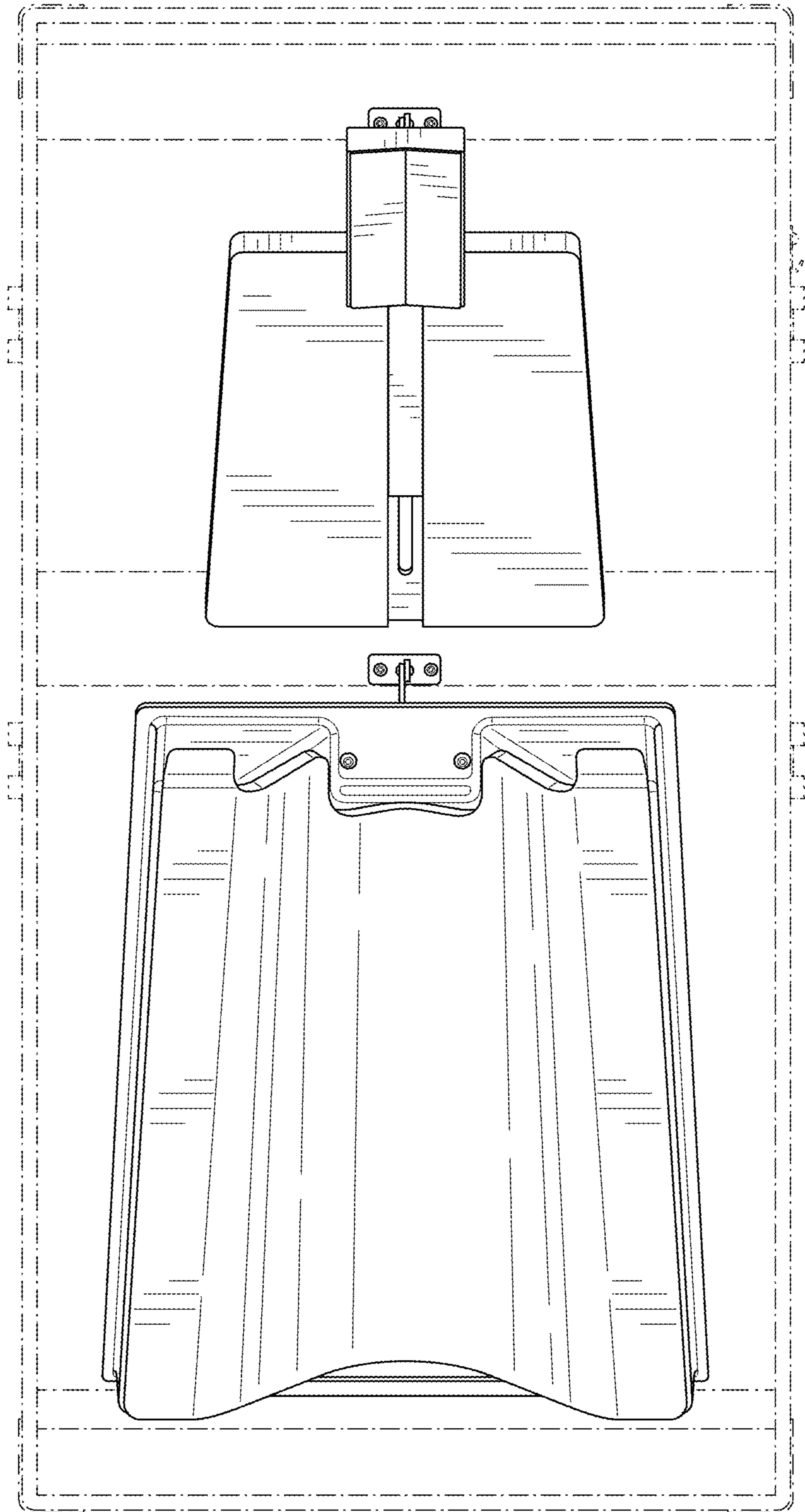


FIG. 13