



US00D887746S

(12) **United States Design Patent**
Kraemer

(10) **Patent No.:** **US D887,746 S**

(45) **Date of Patent:** **** Jun. 23, 2020**

(54) **HOLDER**

- (71) Applicant: **InterDesign, Inc.**, Solon, OH (US)
- (72) Inventor: **Kevin Francis Kraemer**, Cuyahoga Falls, OH (US)
- (73) Assignee: **InterDesign, Inc.**, Solon, OH (US)
- (**) Term: **15 Years**
- (21) Appl. No.: **29/682,703**
- (22) Filed: **Mar. 7, 2019**

Related U.S. Application Data

- (63) Continuation of application No. 29/602,868, filed on May 4, 2017, now Pat. No. Des. 845,662, which is a continuation of application No. 29/531,198, filed on Jun. 24, 2015, now Pat. No. Des. 790,247.
- (51) **LOC (12) Cl.** **20-20**
- (52) **U.S. Cl.**
USPC **D6/515**
- (58) **Field of Classification Search**
USPC D6/524, 491, 512, 515, 518, 520, D6/522-523, 570, 306, 313-315; D3/306, 313-315; D8/372; D19/90, 92, D19/77-78; 206/215, 389, 449, 557, 206/561-562, 558; 211/49.1, 86.01, 211/126.1, 133.6, 183, 70.7, 11, 13.1, 211/131.1; 221/282-283; 222/173, 222/181.1; D9/733
CPC A47K 2010/3253; A47K 10/16; A47K 10/32; A47F 1/04; A47F 1/125
See application file for complete search history.

(56) **References Cited**

U.S. PATENT DOCUMENTS

- D342,852 S * 1/1994 Welch D6/520
- 5,788,117 A * 8/1998 Zimmanck A47F 1/08
211/59.2
- D543,400 S * 5/2007 Ho D6/515
- D709,289 S * 7/2014 Kraemer D19/92
- D715,575 S * 10/2014 Williams D6/524

* cited by examiner

Primary Examiner — Wan Laymon

Assistant Examiner — Mark Booker

(74) *Attorney, Agent, or Firm* — Calfee, Halter & Griswold, LLP

(57) **CLAIM**

I claim the ornamental design for a holder, as shown and described.

DESCRIPTION

FIG. 1 is a front/left/top perspective view of a holder (a front/right/top perspective view would be a mirror image thereof);

FIG. 2 is a front/right/bottom perspective view thereof (a front/left/bottom perspective view would be a mirror image thereof);

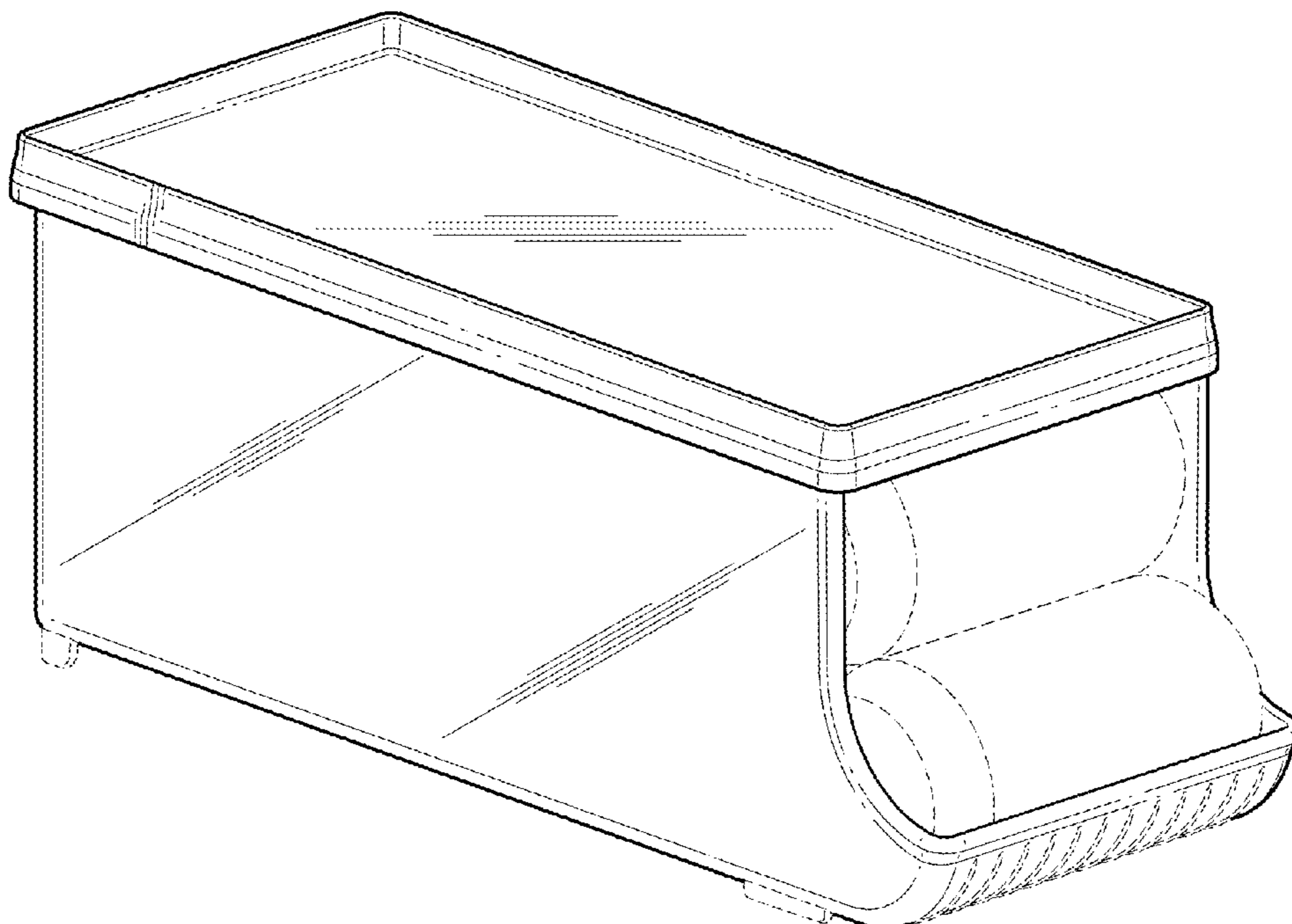
FIG. 3 is a front elevational view thereof;

FIG. 4 is a left side elevational view thereof; and,

FIG. 5 is a top plan view thereof.

The broken lines shown in the figures represent portions of the holder that form no part of the claimed design. The broken lines shown inside the holder represent environment and do not form part of the claimed design.

1 Claim, 4 Drawing Sheets



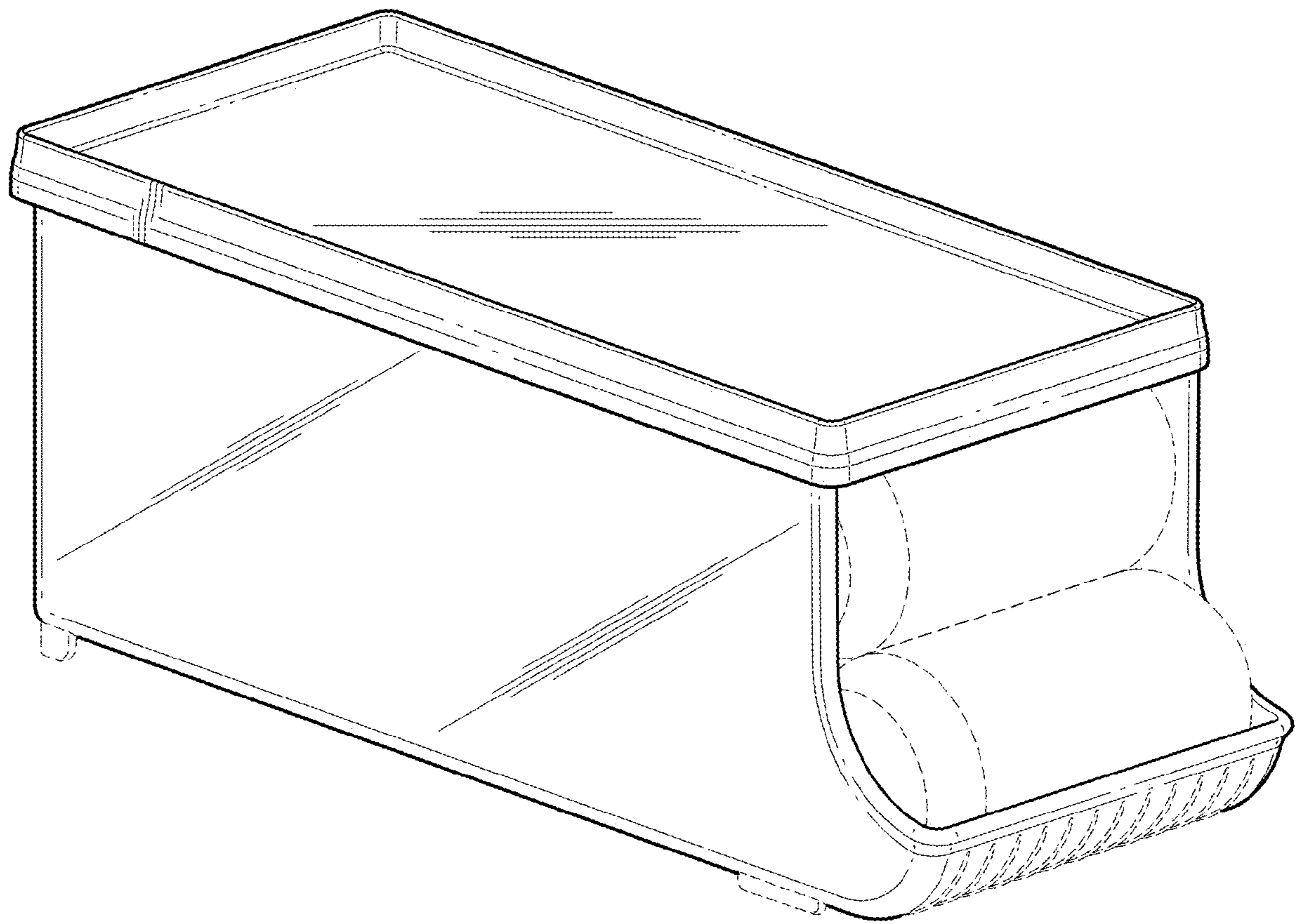


FIG. 1

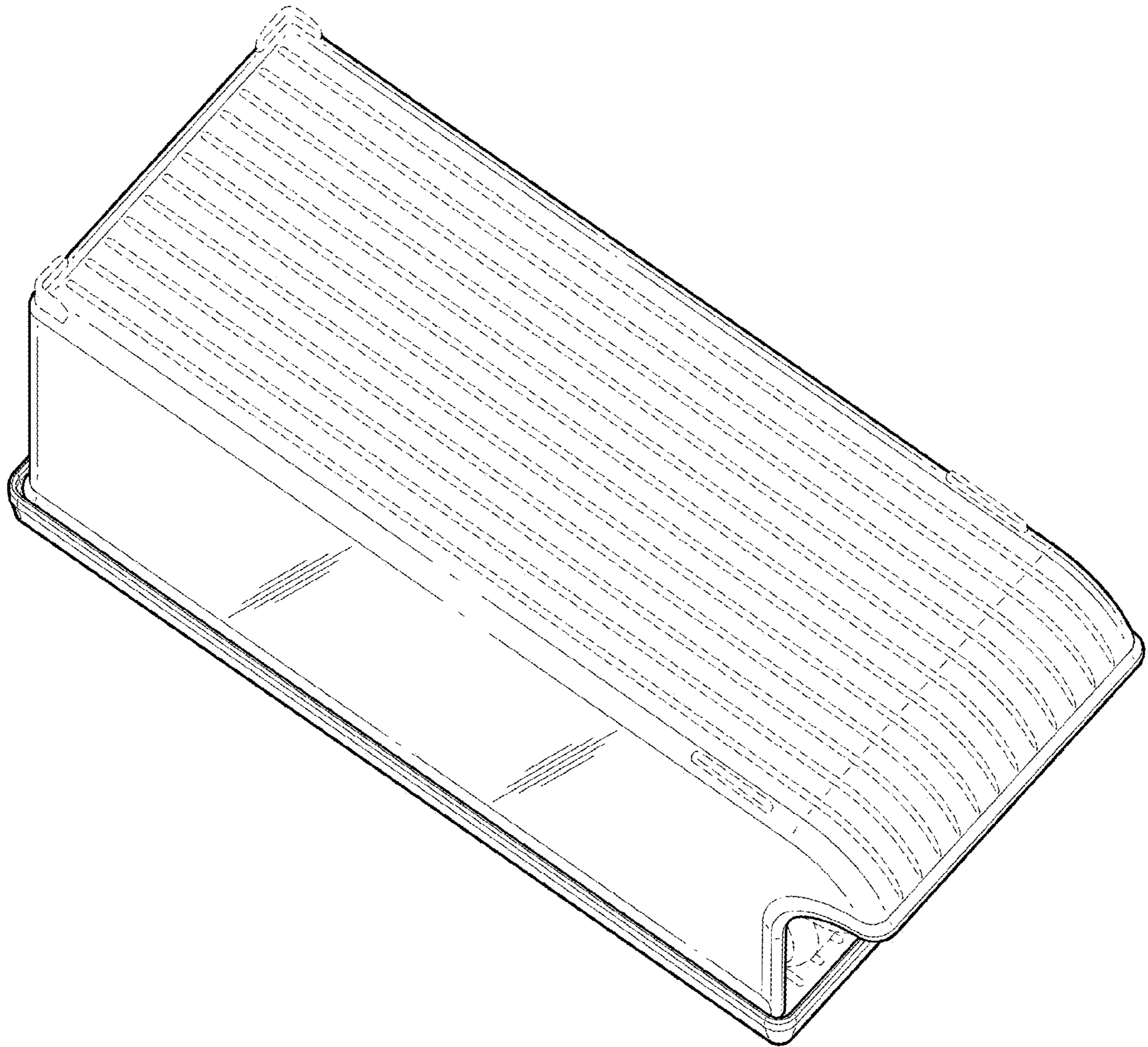


FIG. 2

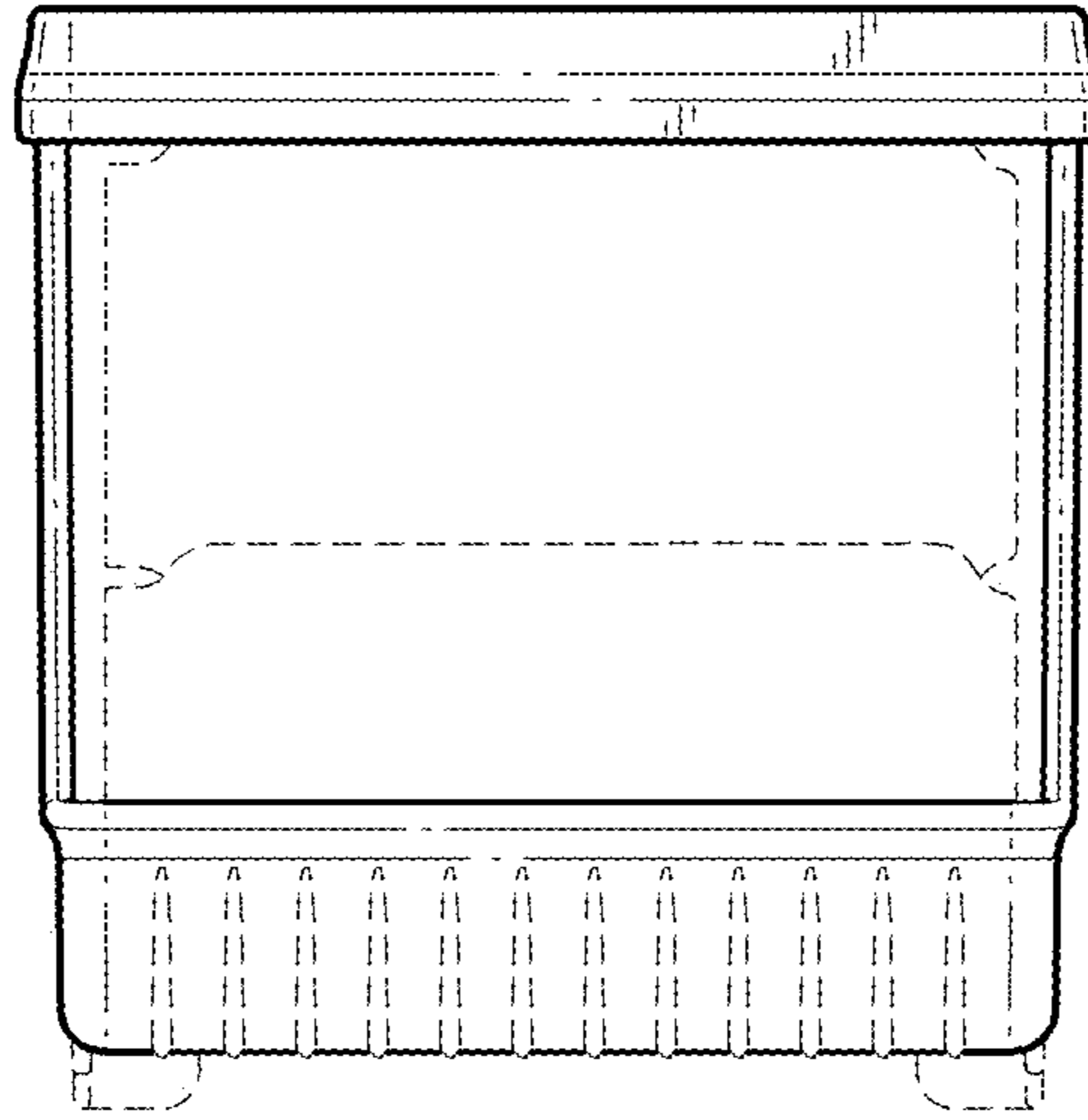


FIG. 3

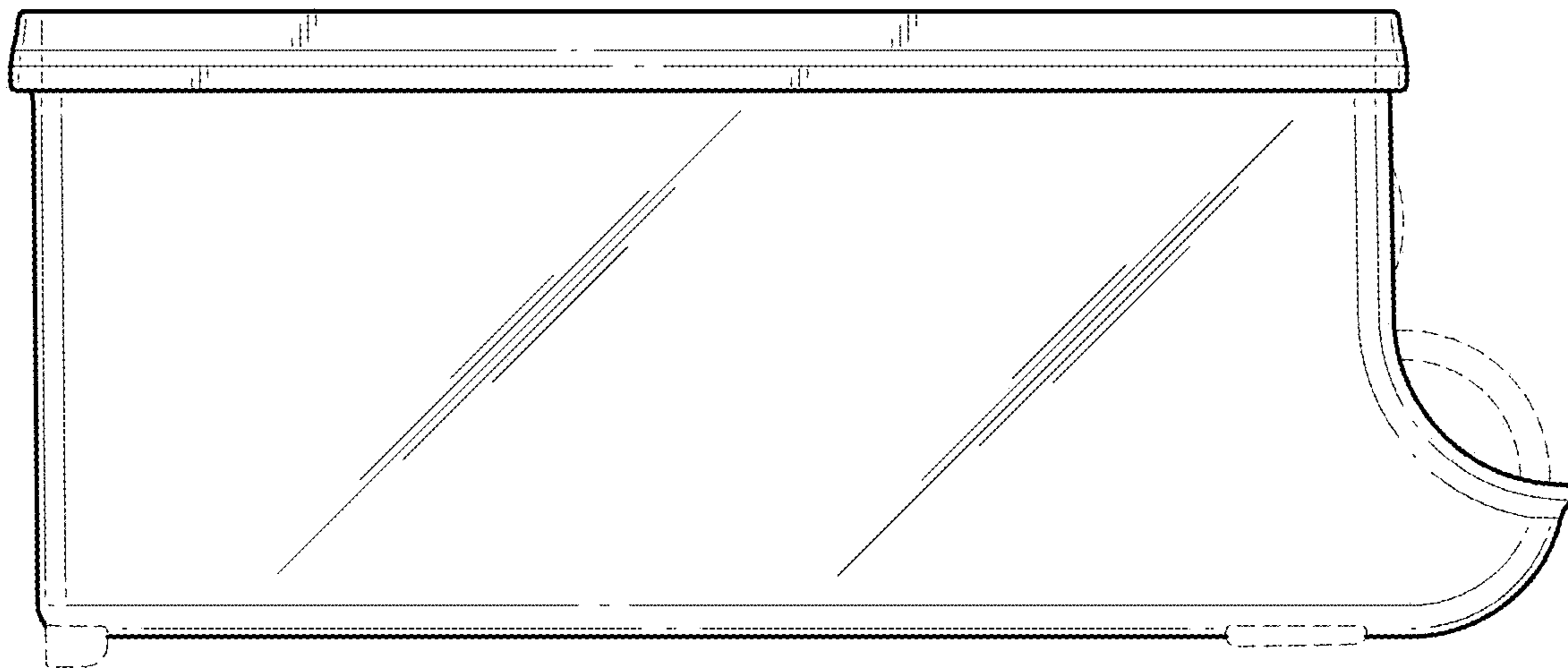


FIG. 4

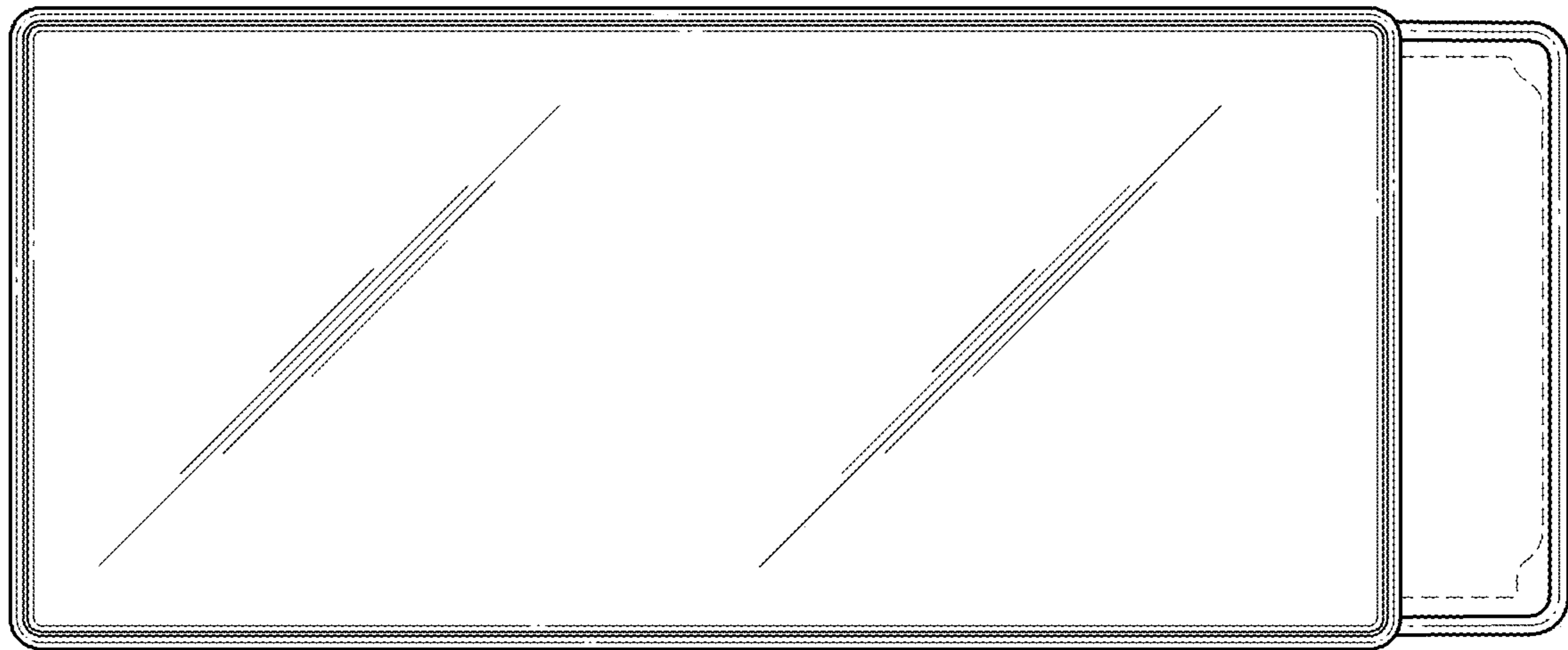


FIG. 5