



US00D887745S

(12) **United States Design Patent**
Ladhani et al.

(10) **Patent No.:** **US D887,745 S**

(45) **Date of Patent:** **** Jun. 23, 2020**

(54) **ROCKING CRADLE**

(71) Applicant: **Barakat Bundle Inc.**, Boston, MA (US)

(72) Inventors: **Karima Ladhani**, Boston, MA (US);
Charlotte Beckett, London (GB);
Rebecca Reubens, Gurjarat (IN)

(73) Assignee: **Barakat Bundle Inc.**, Boston, MA (US)

(**) Term: **15 Years**

(21) Appl. No.: **29/679,468**

(22) Filed: **Feb. 6, 2019**

(51) **LOC (12) Cl.** **06-02**

(52) **U.S. Cl.**
USPC **D6/385; D6/390**

(58) **Field of Classification Search**
USPC D6/331, 385, 390, 391, 718.26
CPC A47D 7/00; A47D 7/002; A47D 7/005;
A47D 9/00; A47D 9/02; A47D 9/005;
A47D 13/06; A47D 13/061; A47D 13/066
See application file for complete search history.

(56) **References Cited**

U.S. PATENT DOCUMENTS

- 819,886 A * 5/1906 Hume A47D 13/063
5/99.1
- 914,309 A * 3/1909 Ross A47D 9/005
5/98.2

- 1,735,513 A * 11/1929 Stalter A47K 3/164
4/587
- 2,841,797 A * 7/1958 Kennedy A47D 5/006
4/572.1
- D388,973 S * 1/1998 Levin D12/130
- D591,971 S * 5/2009 Serghini D6/385
- D614,420 S * 4/2010 Wu D6/385

* cited by examiner

Primary Examiner — Cathron C Brooks

(74) *Attorney, Agent, or Firm* — Foley Hoag LLP; Rajesh Vallabh

(57) **CLAIM**

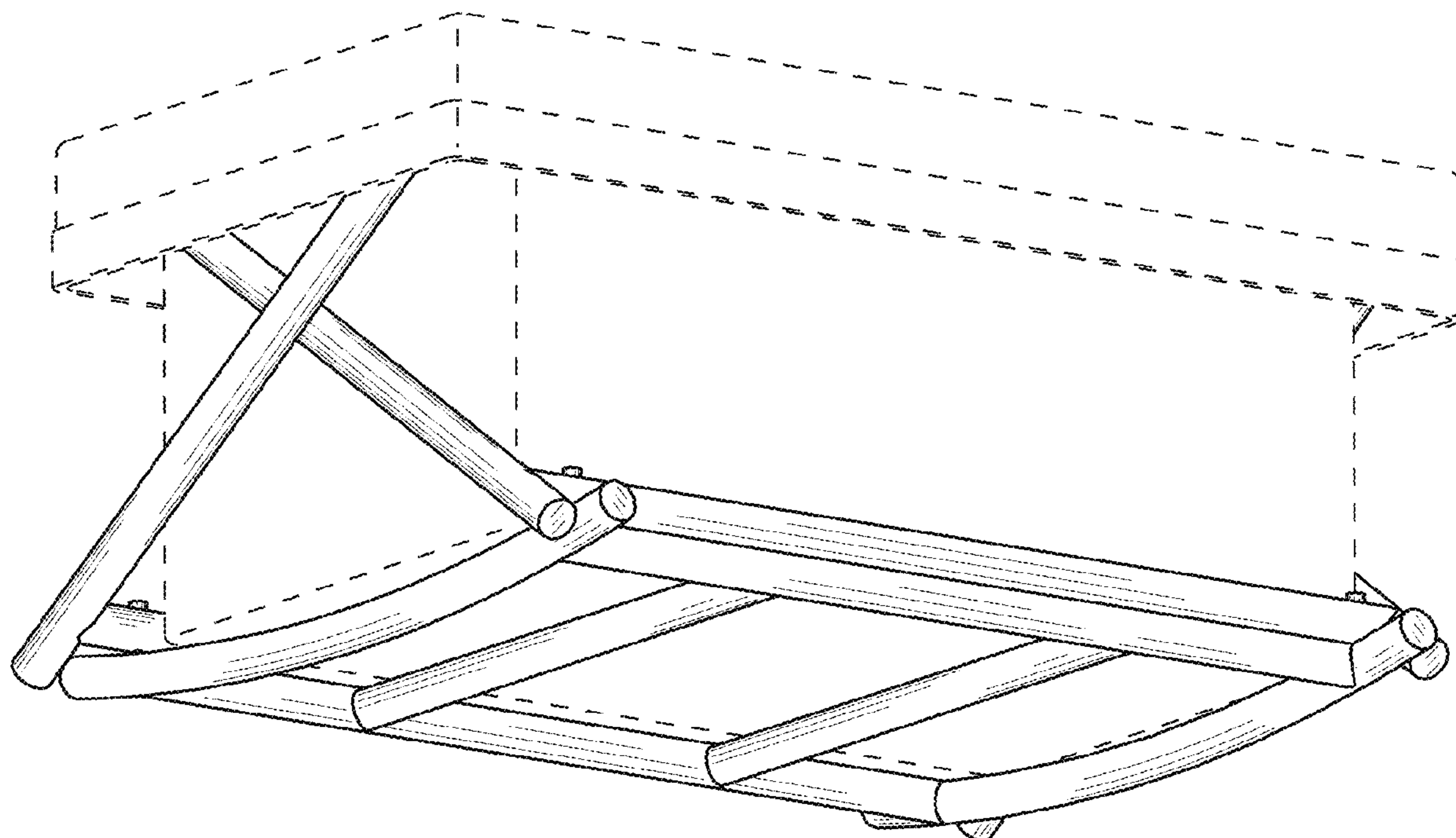
The ornamental design for a rocking cradle, as shown and described.

DESCRIPTION

FIG. 1 is a perspective view of a rocking cradle showing our new design;
 FIG. 2 is an additional perspective view thereof;
 FIG. 3 is a right side view thereof;
 FIG. 4 is a bottom view thereof;
 FIG. 5 is a left side view thereof;
 FIG. 6 is a top view thereof;
 FIG. 7 is a front view thereof; and,
 FIG. 8 is a rear view thereof.

The portions shown in broken lines depict environmental subject matter only and do not form any part of the design.

1 Claim, 4 Drawing Sheets



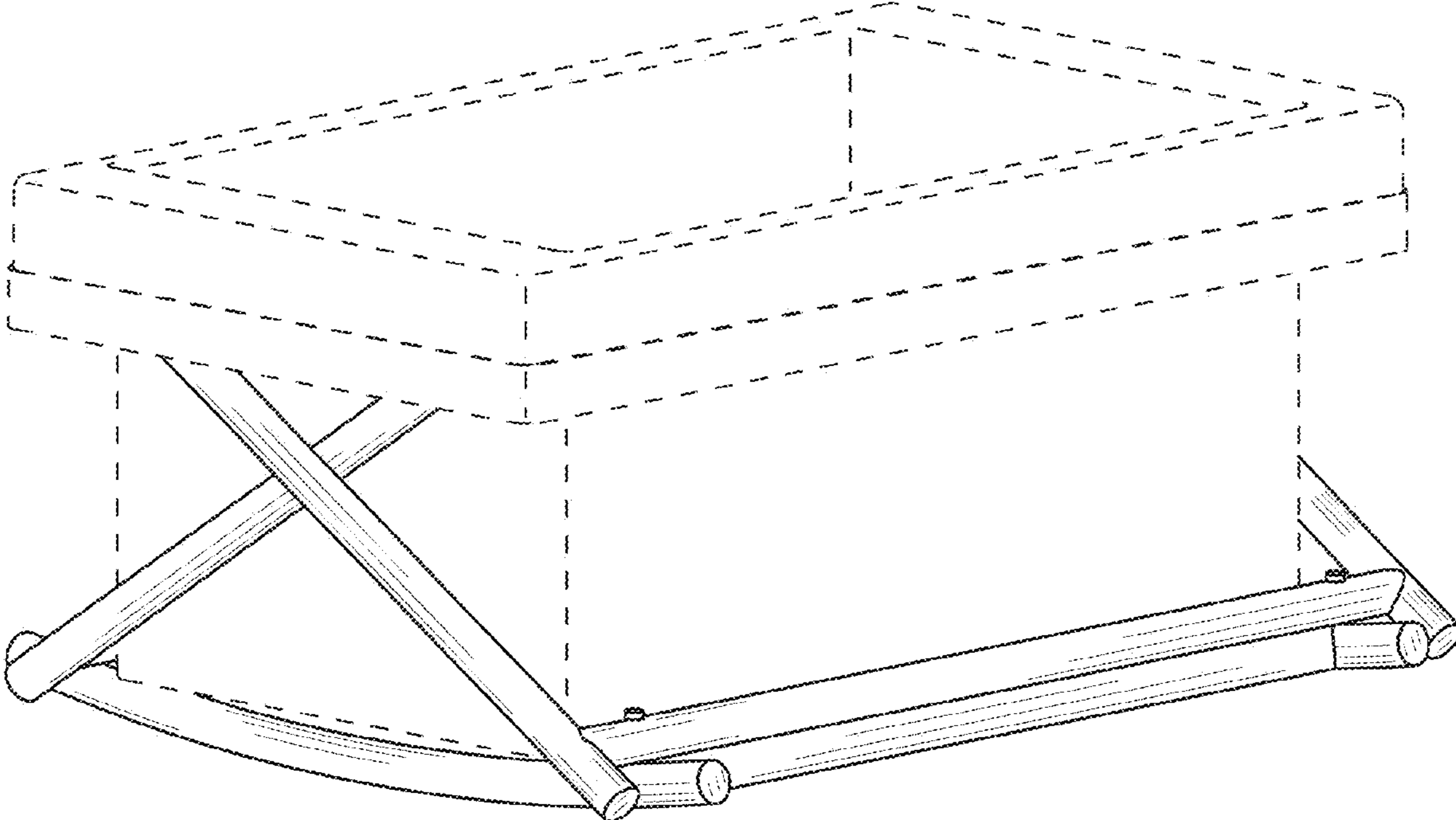


FIG. 1

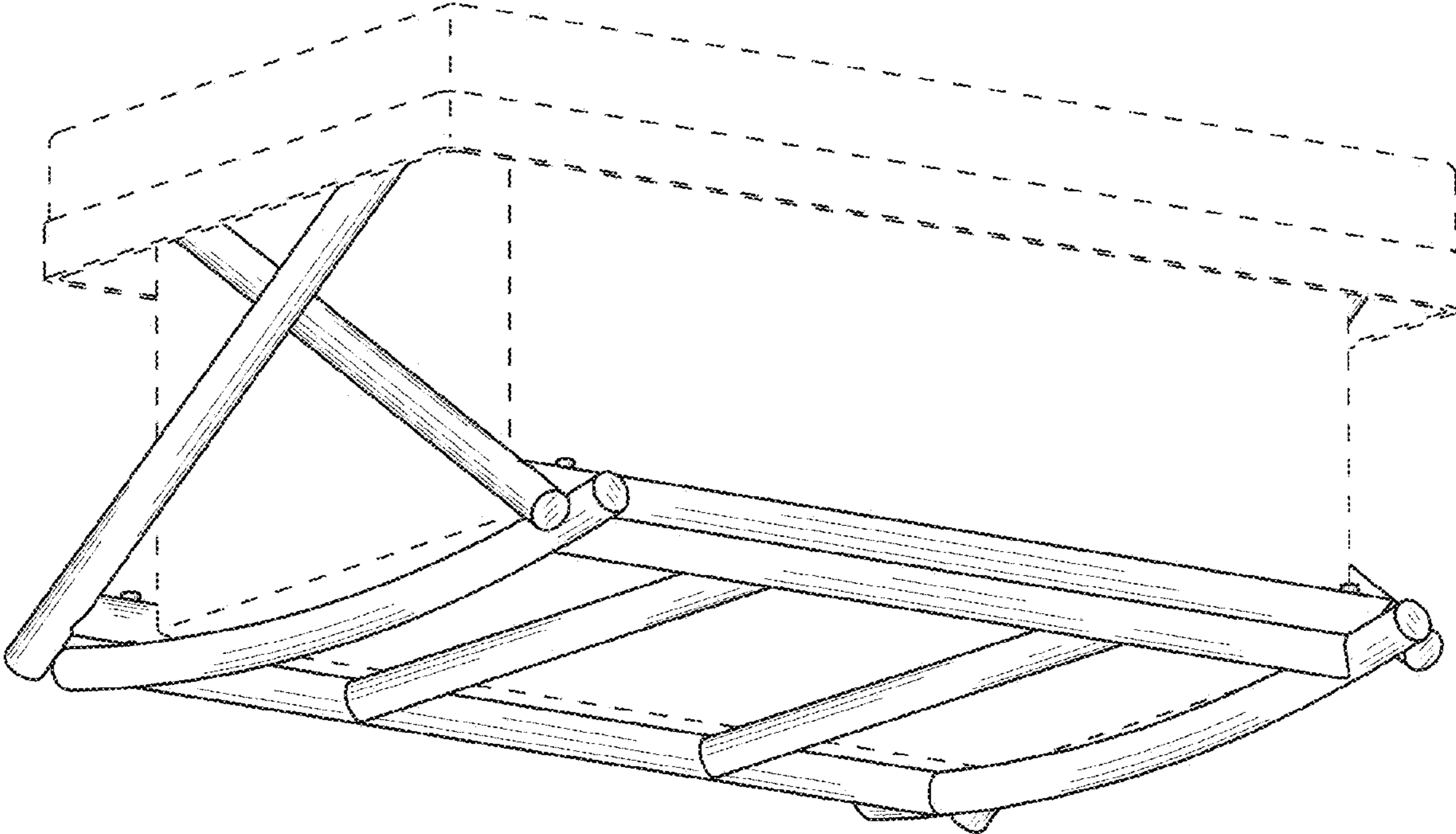


FIG. 2

FIG. 3

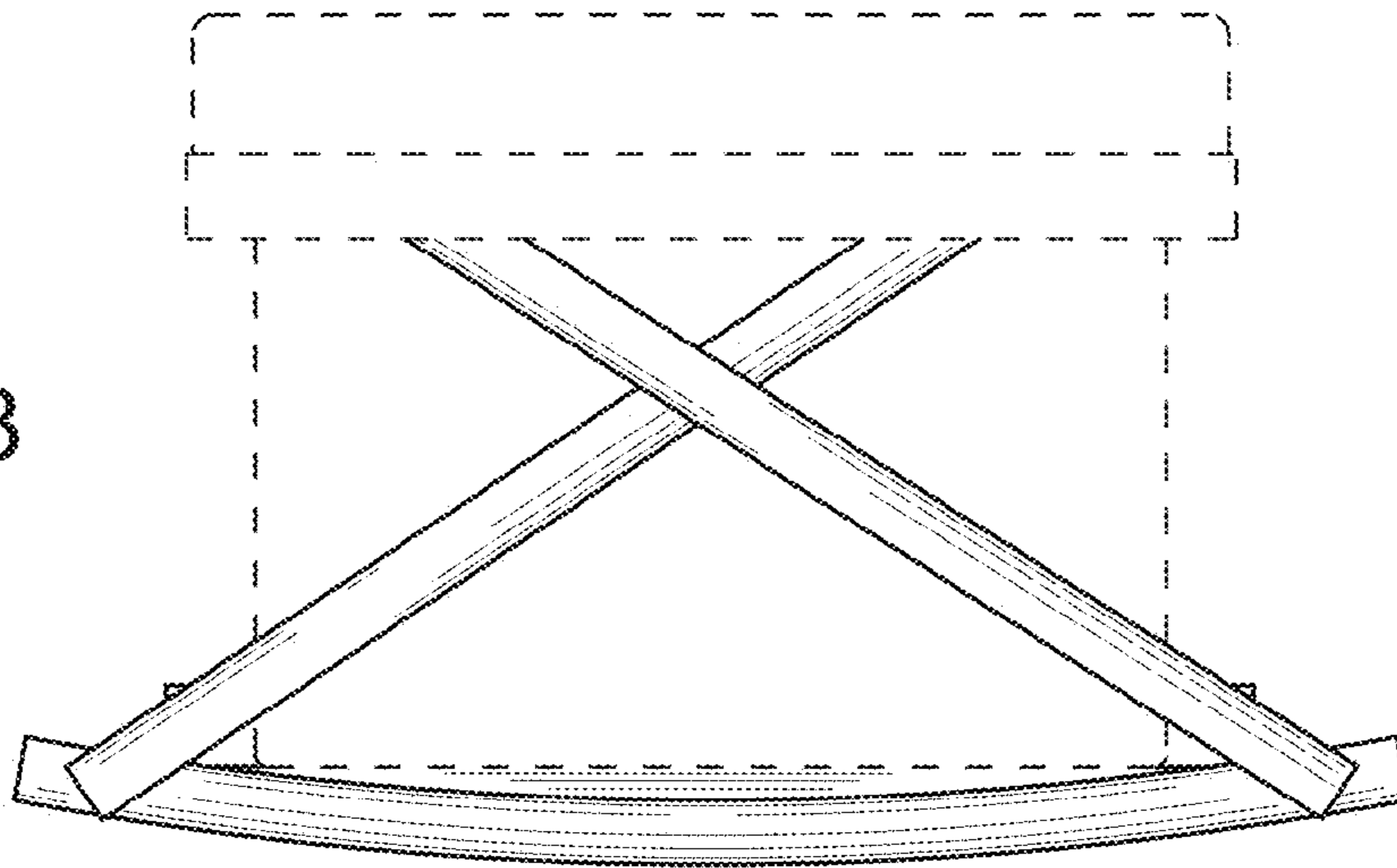


FIG. 4

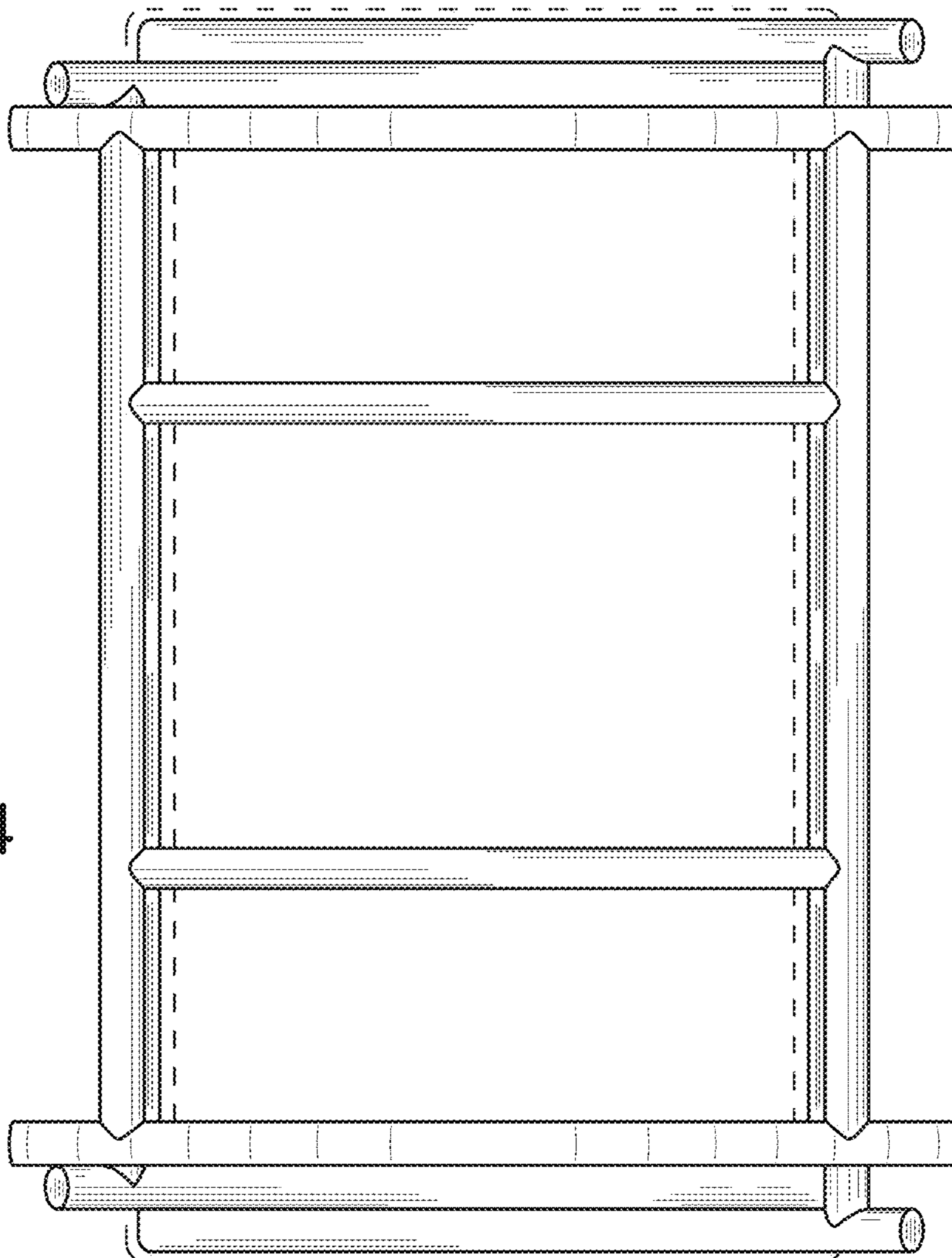


FIG. 5

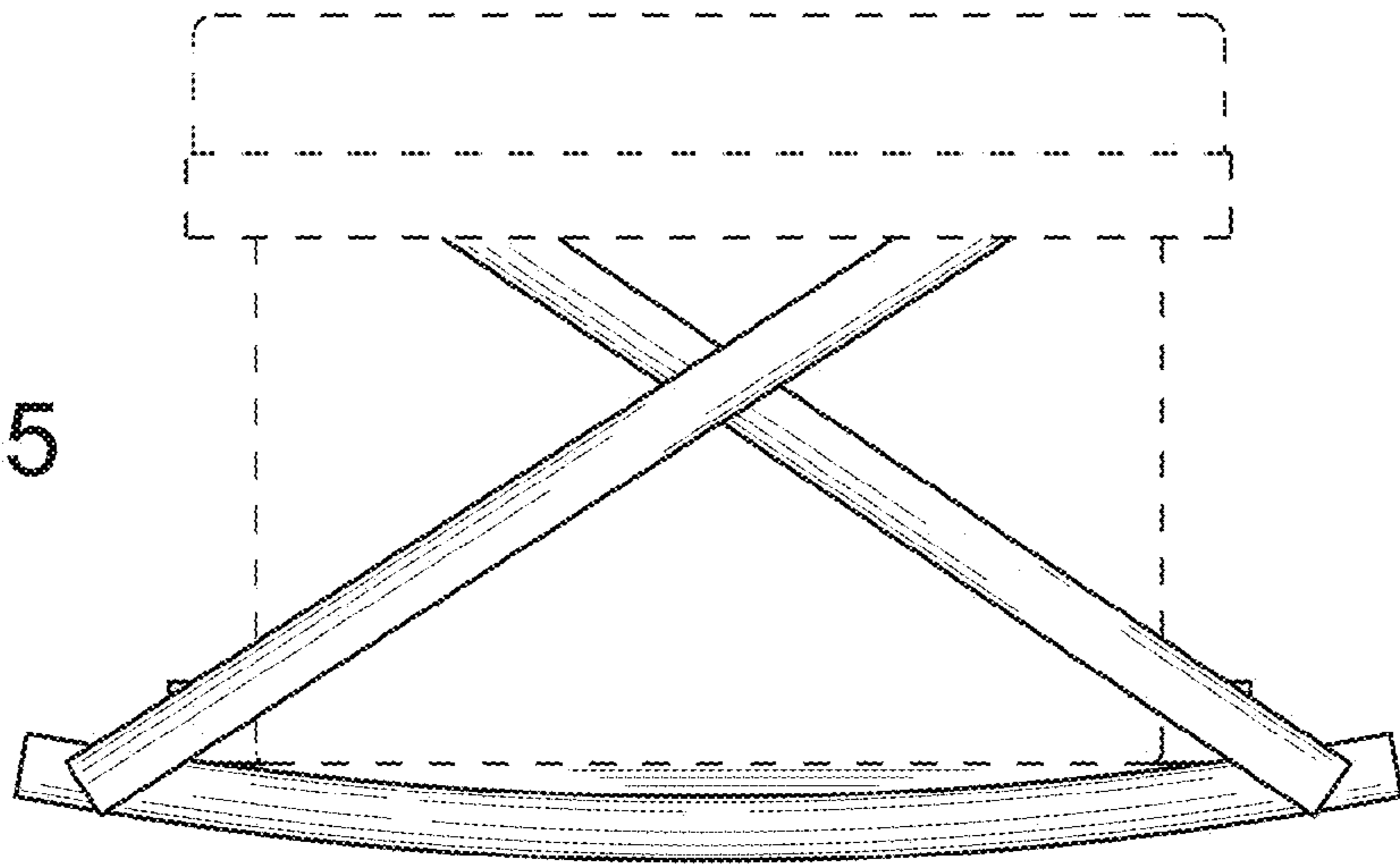
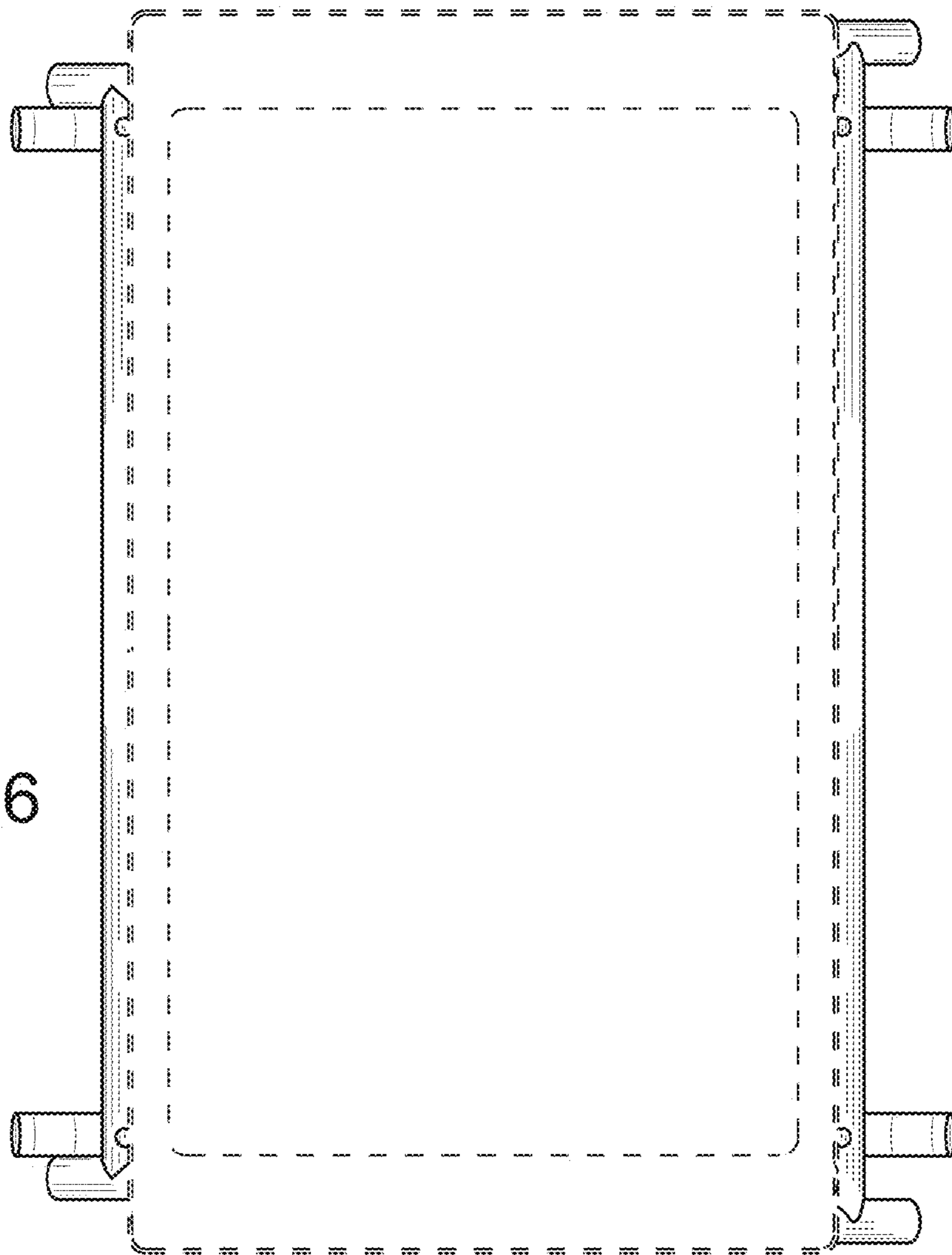


FIG. 6



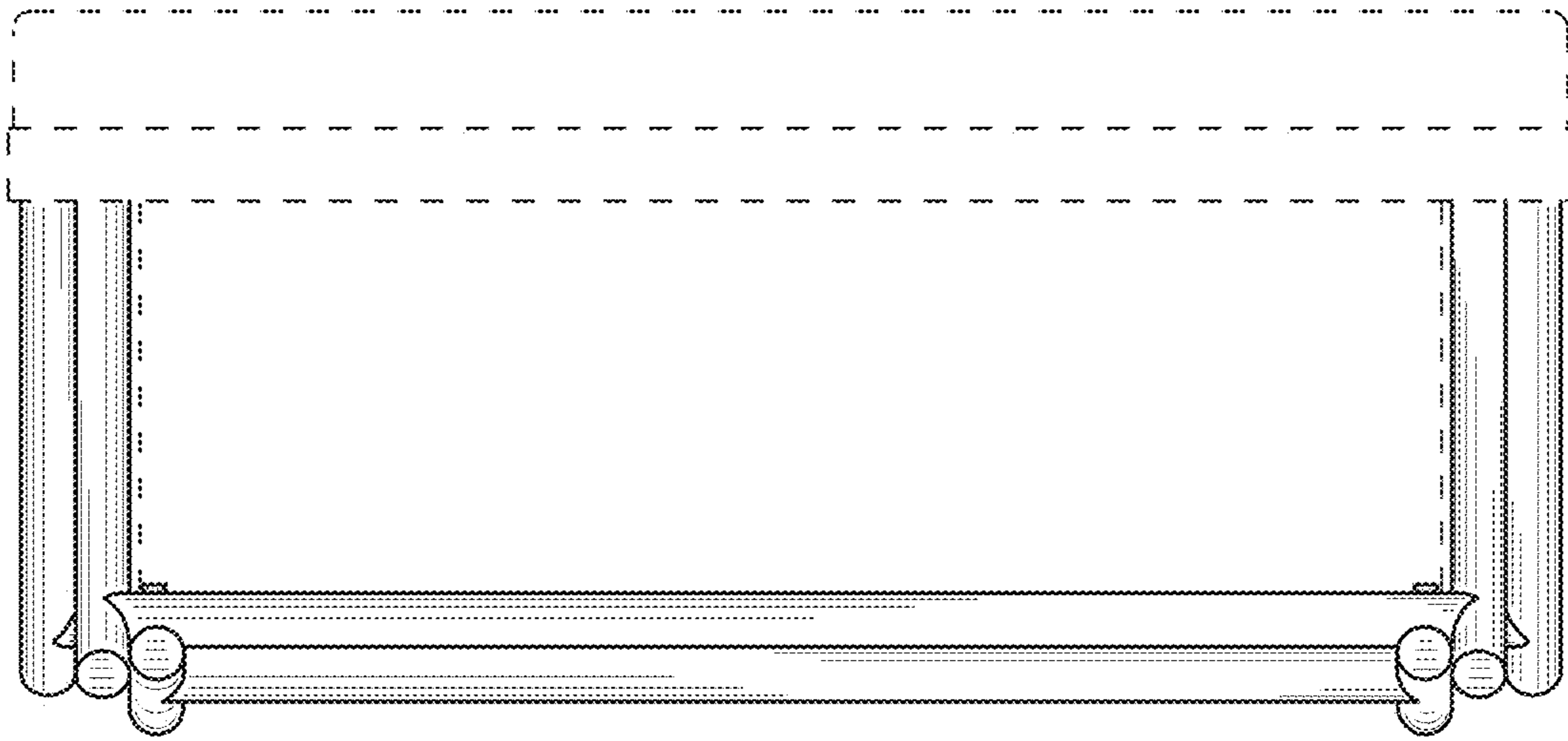


FIG. 7

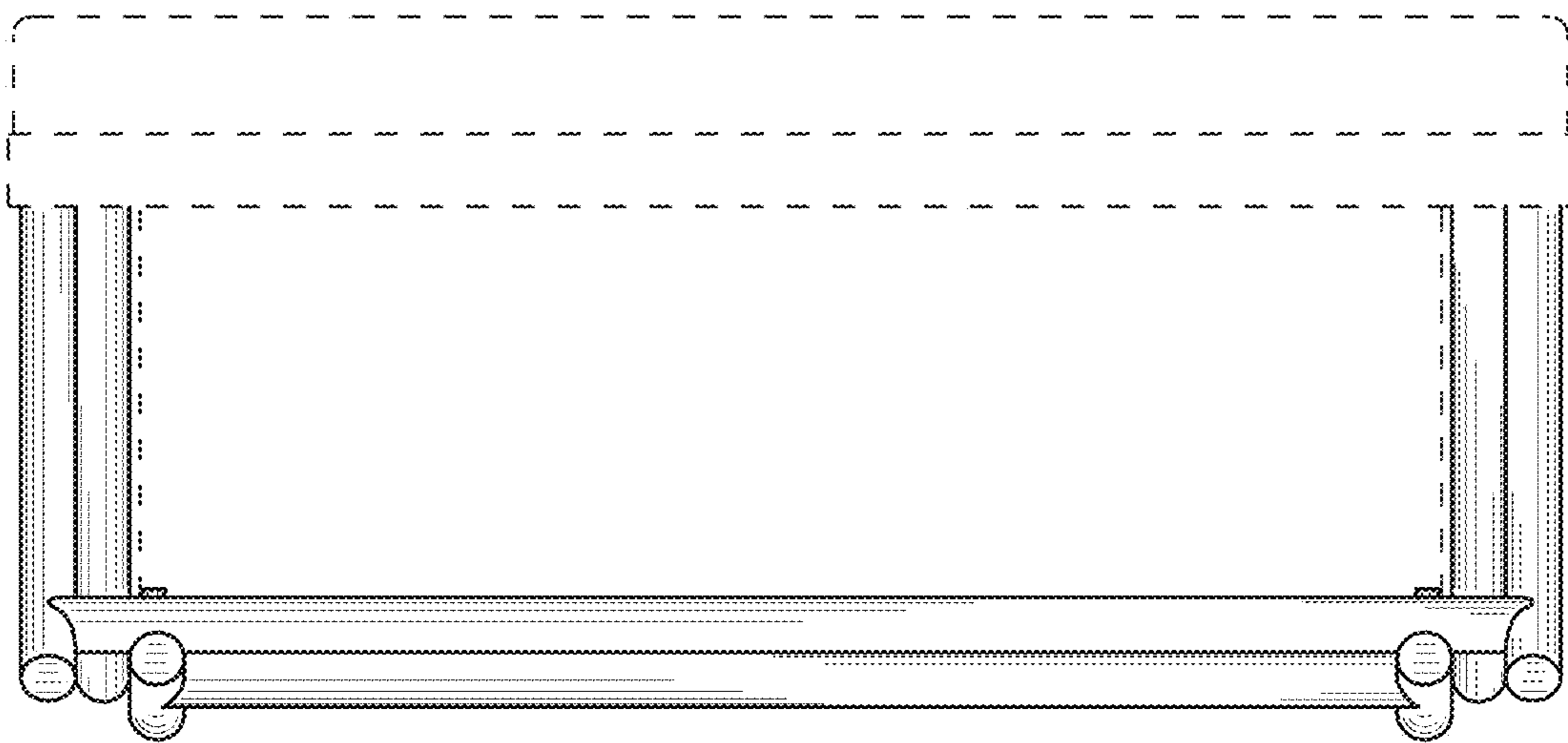


FIG. 8