



US00D887744S

(12) **United States Design Patent**  
**Grossinger et al.**

(10) **Patent No.:** **US D887,744 S**  
(45) **Date of Patent:** **\*\* Jun. 23, 2020**

- (54) **SOFA**
- (71) Applicant: **RAINLIGHT STUDIO LLC**, Culver City, CA (US)
- (72) Inventors: **Susan Grossinger**, Culver City, CA (US); **Yorgo Lykouria**, London (GB); **James Bennett**, Culver City, CA (US); **Hiroshi Saotome**, Kanagawa (JP)
- (73) Assignee: **RAINLIGHT STUDIO LLC**, Culver City, CA (US)
- (\*\*) Term: **15 Years**
- (21) Appl. No.: **29/685,433**
- (22) Filed: **Mar. 28, 2019**
- (51) **LOC (12) Cl.** ..... **06-01**
- (52) **U.S. Cl.**  
USPC ..... **D6/381**
- (58) **Field of Classification Search**  
USPC ..... D6/334, 374, 377, 379, 380, 381  
CPC .... A47C 7/16; A47C 7/18; A47C 7/24; A47C 17/00; A47C 17/02; A47C 17/86; A47C 3/14; A47C 3/16  
See application file for complete search history.

D297,995 S *	10/1988	Stulik .....	D6/356
D326,960 S *	6/1992	Stulik .....	297/452.23
D396,757 S *	8/1998	Katz .....	D6/335
D452,386 S *	12/2001	Mourgue .....	D6/360
D518,302 S *	4/2006	Tapinassi .....	D6/361
D574,162 S *	8/2008	Hoppert .....	D6/381
D674,619 S *	1/2013	Urquiola Hidalgo .....	D6/381
D682,578 S *	5/2013	Urquiola Hidalgo .....	D6/381
D683,549 S *	6/2013	Urquiola Hidalgo .....	D6/334
D739,662 S *	9/2015	Webb .....	D6/334
D785,955 S *	5/2017	Jourdan .....	D6/334
D849,441 S *	5/2019	King .....	D6/381

\* cited by examiner

*Primary Examiner* — Cathron C Brooks  
(74) *Attorney, Agent, or Firm* — IPUSA, PLLC

(57) **CLAIM**

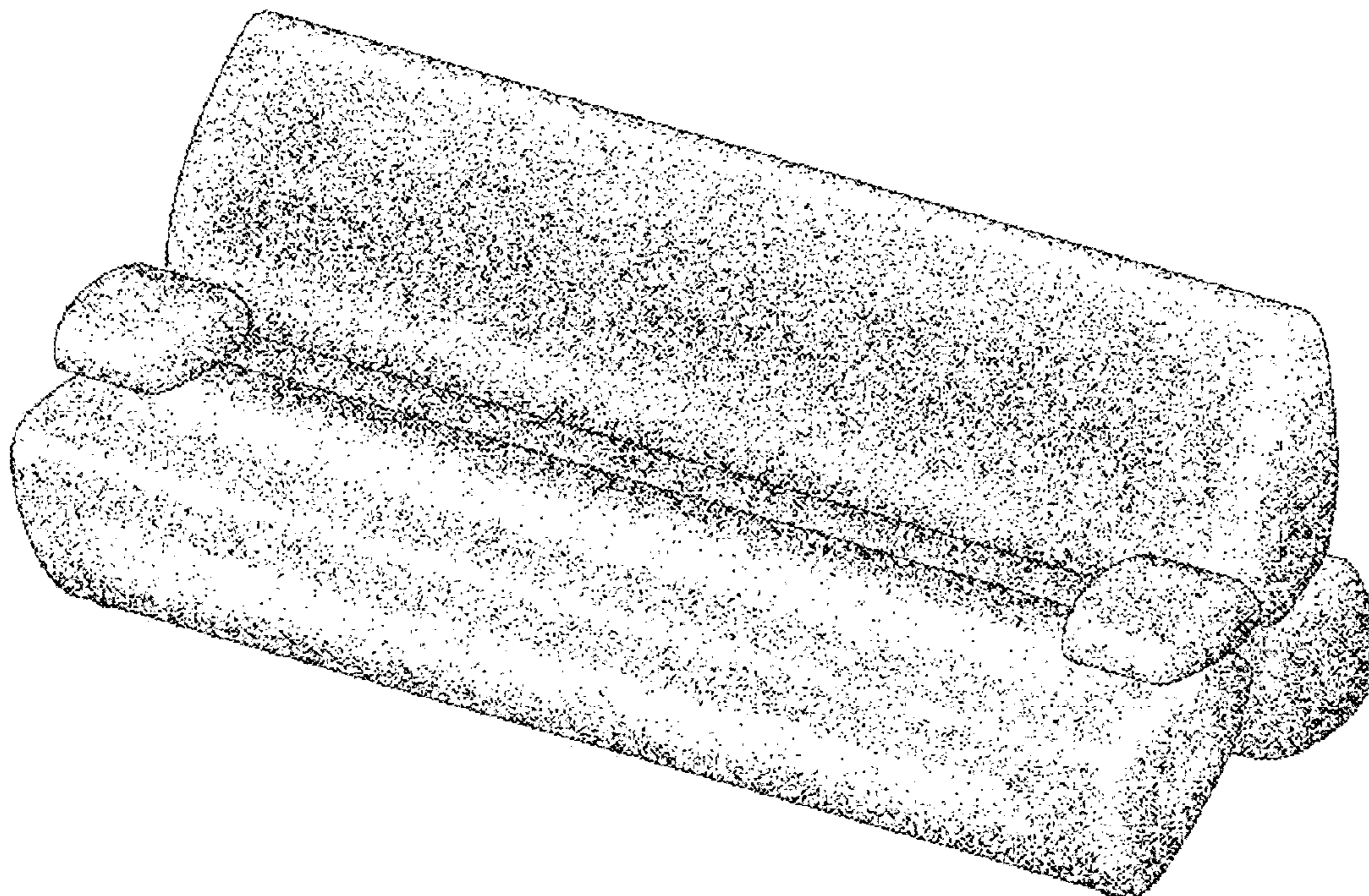
The ornamental design for a sofa, as shown and described.

**DESCRIPTION**

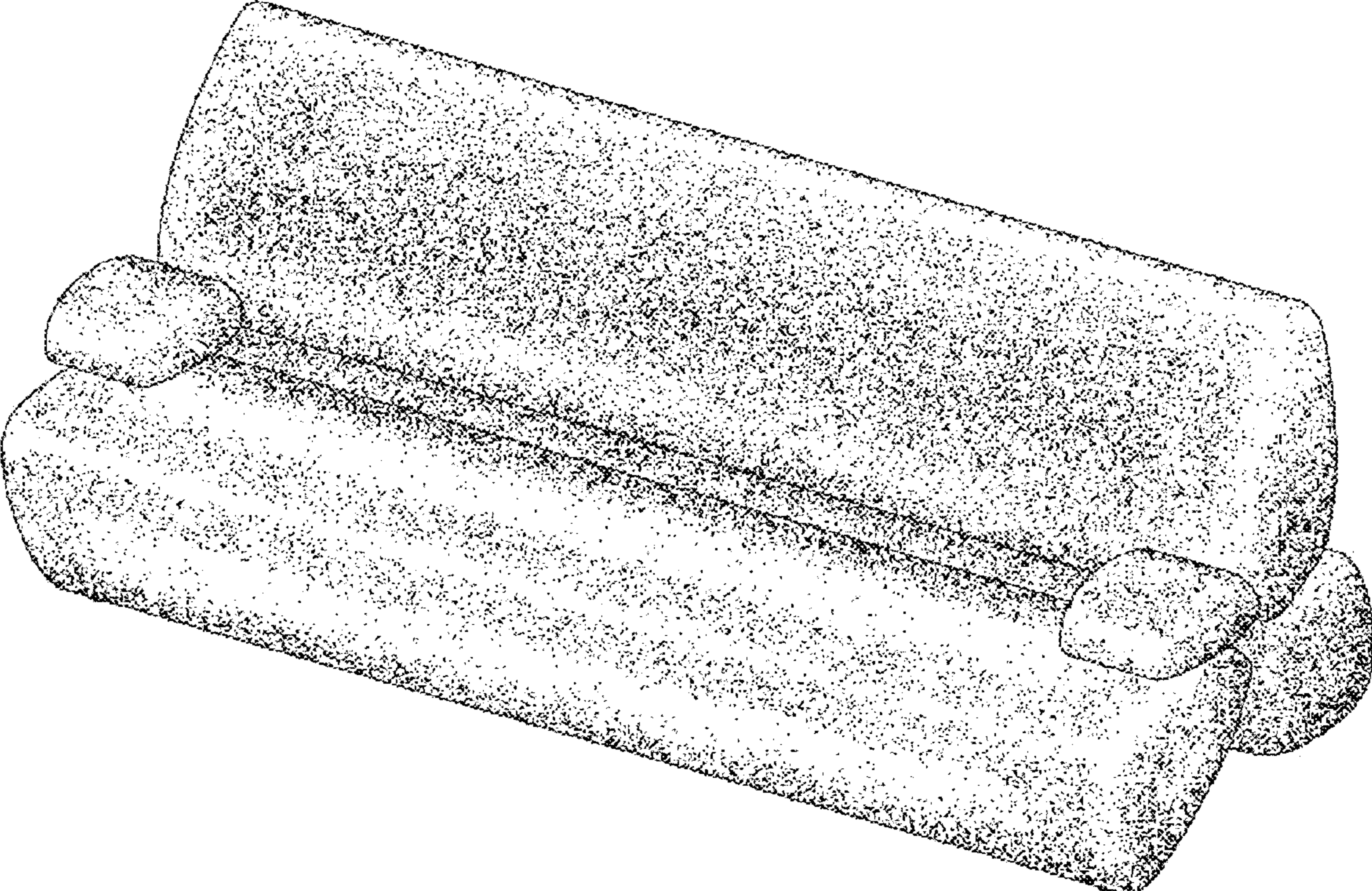
FIG. 1 is a front, top, and right side perspective view of a sofa, showing our new design;  
 FIG. 2 is a rear, top, and left side perspective view thereof;  
 FIG. 3 is a front view thereof;  
 FIG. 4 is a rear view thereof;  
 FIG. 5 is a top plan view thereof;  
 FIG. 6 is a bottom plan view thereof;  
 FIG. 7 is a right side view thereof;  
 FIG. 8 is a cross-sectional view taken along the line 8-8 in FIG. 3; and,  
 FIG. 9 is a cross-sectional view taken along the line 9-9 in FIG. 7.  
 The left side view is omitted because it is a mirror image of the right side view.

**1 Claim, 5 Drawing Sheets**

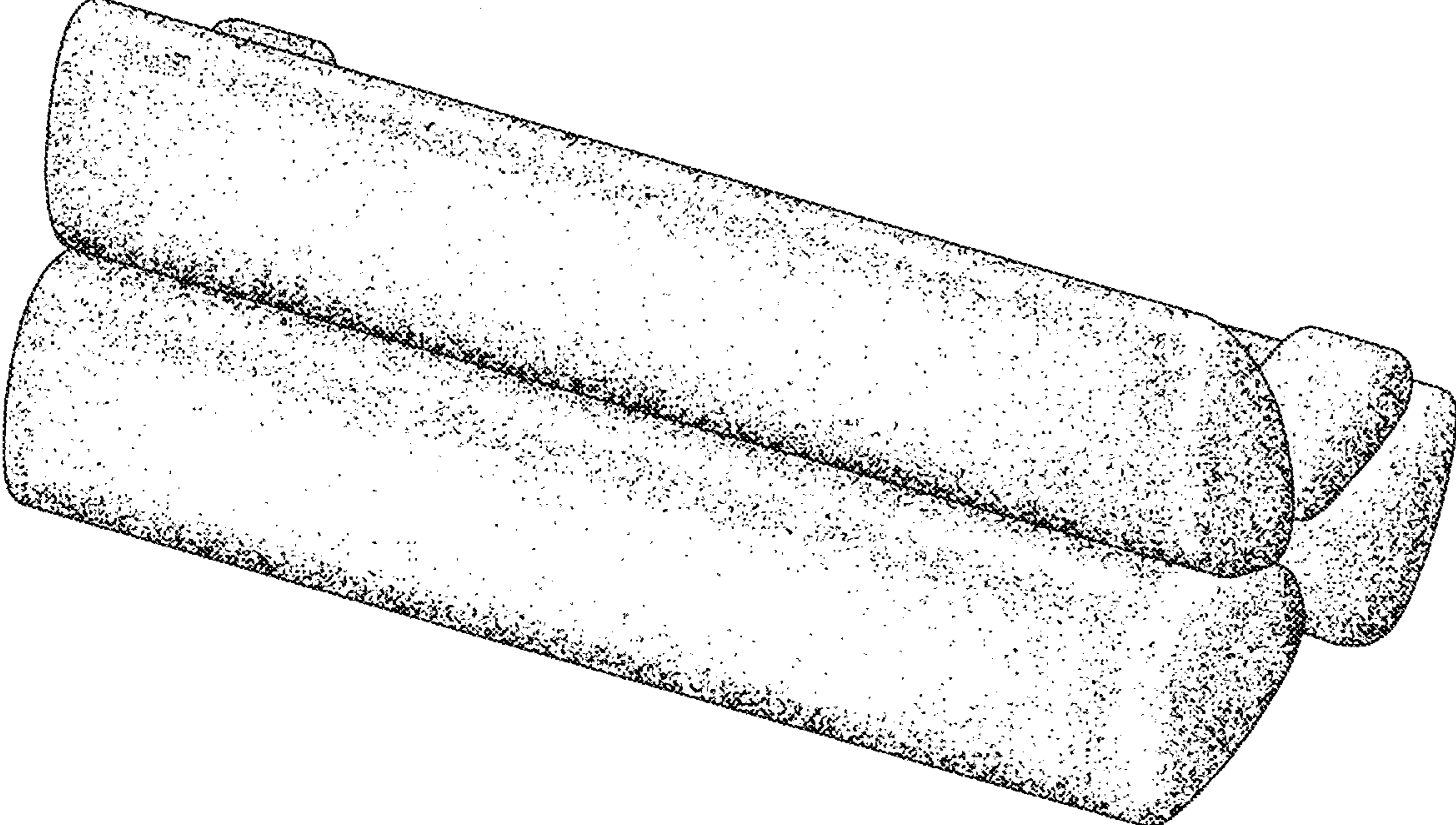
- (56) **References Cited**  
U.S. PATENT DOCUMENTS  
3,110,909 A \* 11/1963 Bendell ..... A47C 17/36 5/12.1  
D238,914 S \* 2/1976 Eschborn ..... D6/334  
D240,096 S \* 6/1976 Haggstam ..... D6/373  
D245,298 S \* 8/1977 Brahm ..... D6/334  
D262,164 S \* 12/1981 Aronowitz ..... D6/364





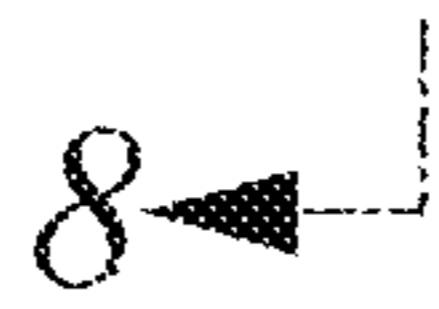
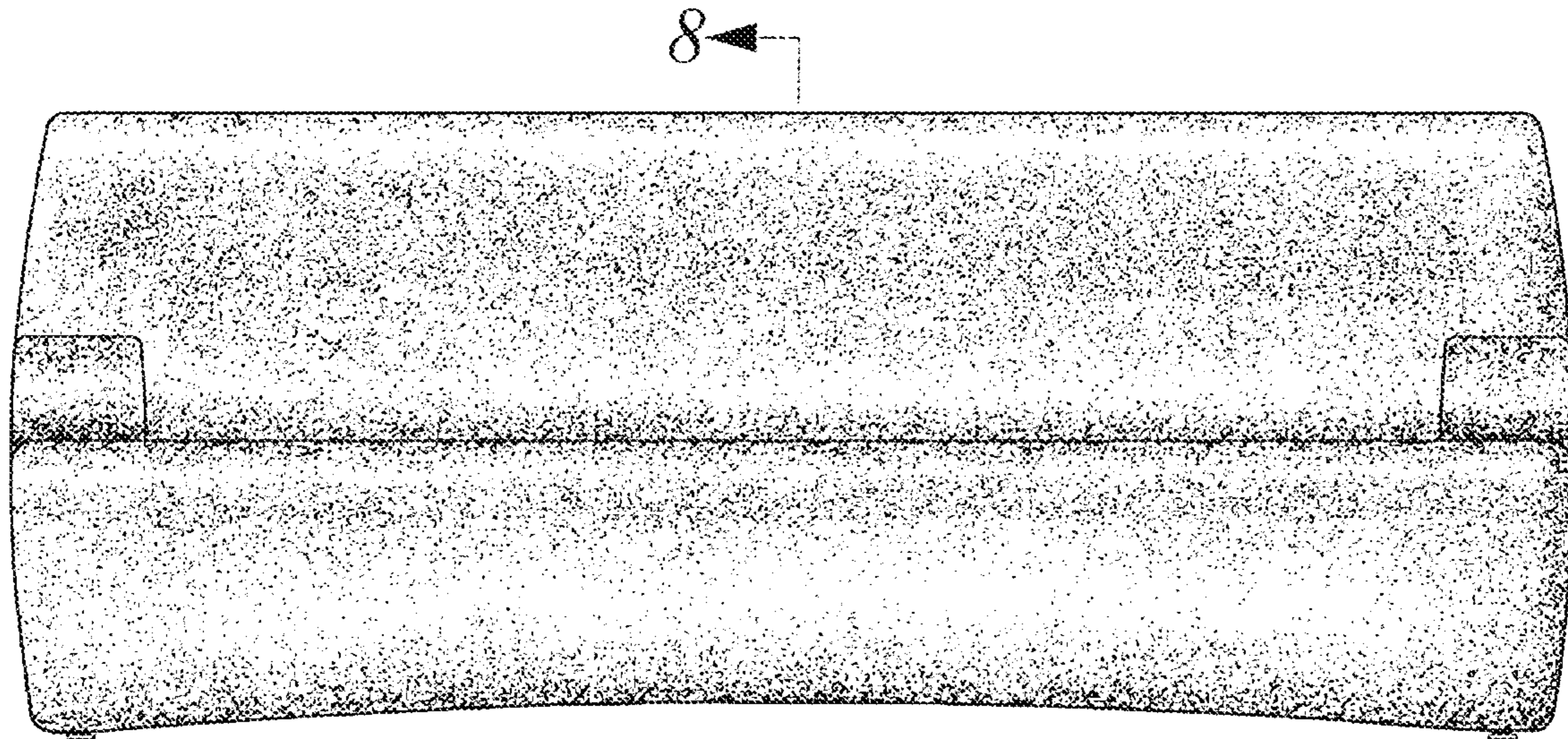


*Fig. 1*

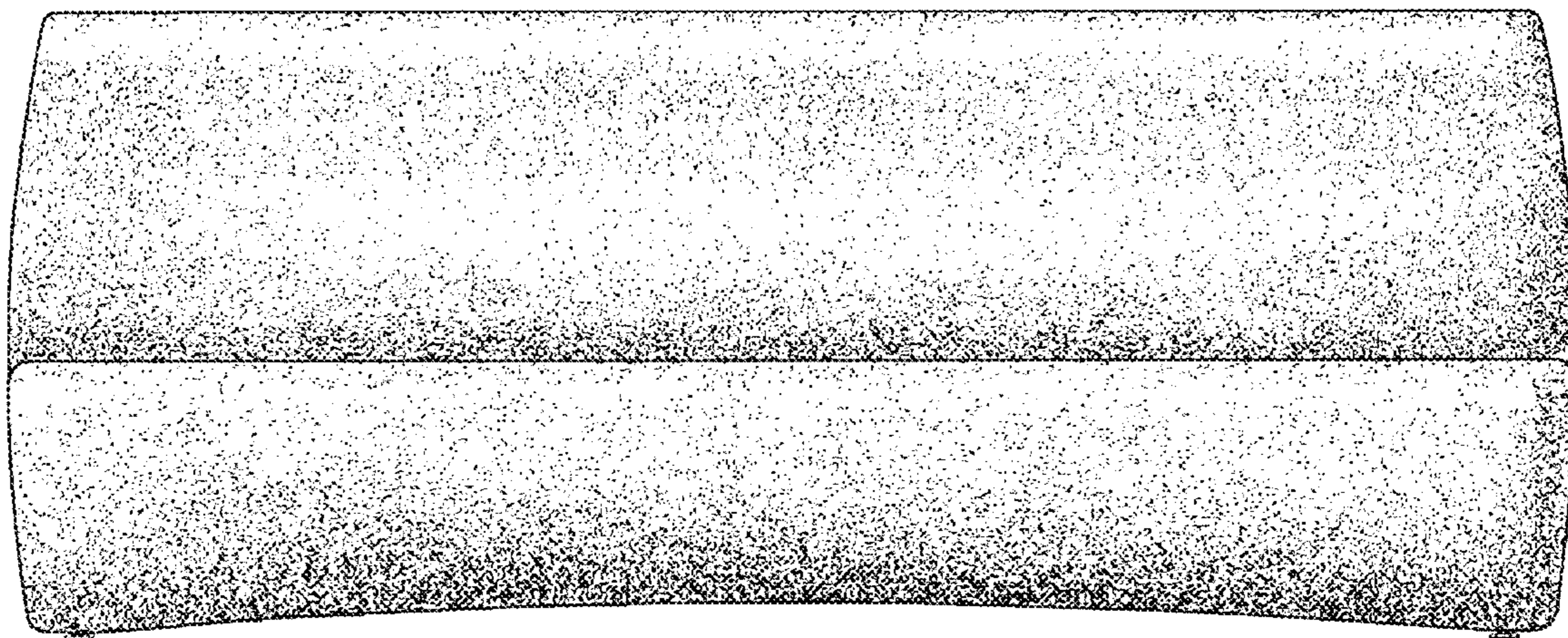


*Fig. 2*





*Fig. 3*

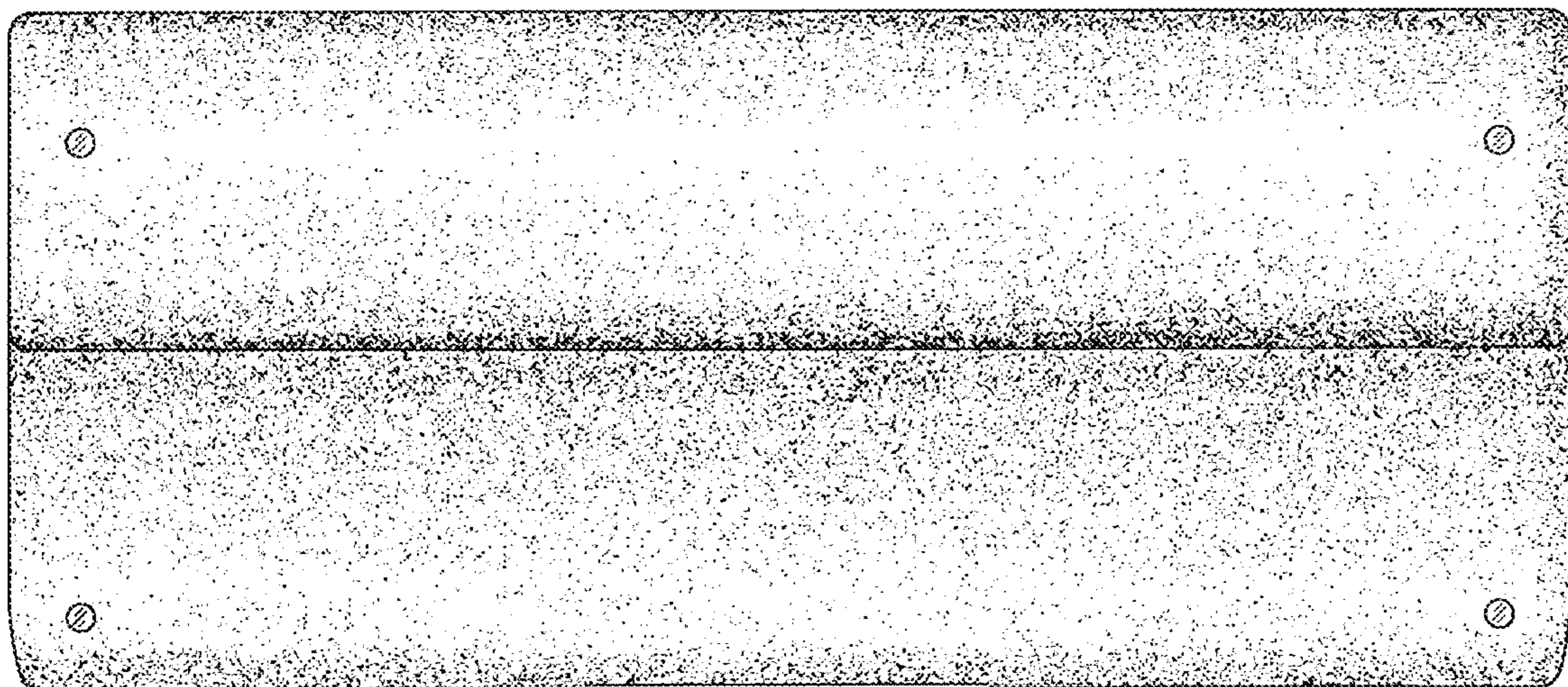


*Fig. 4*



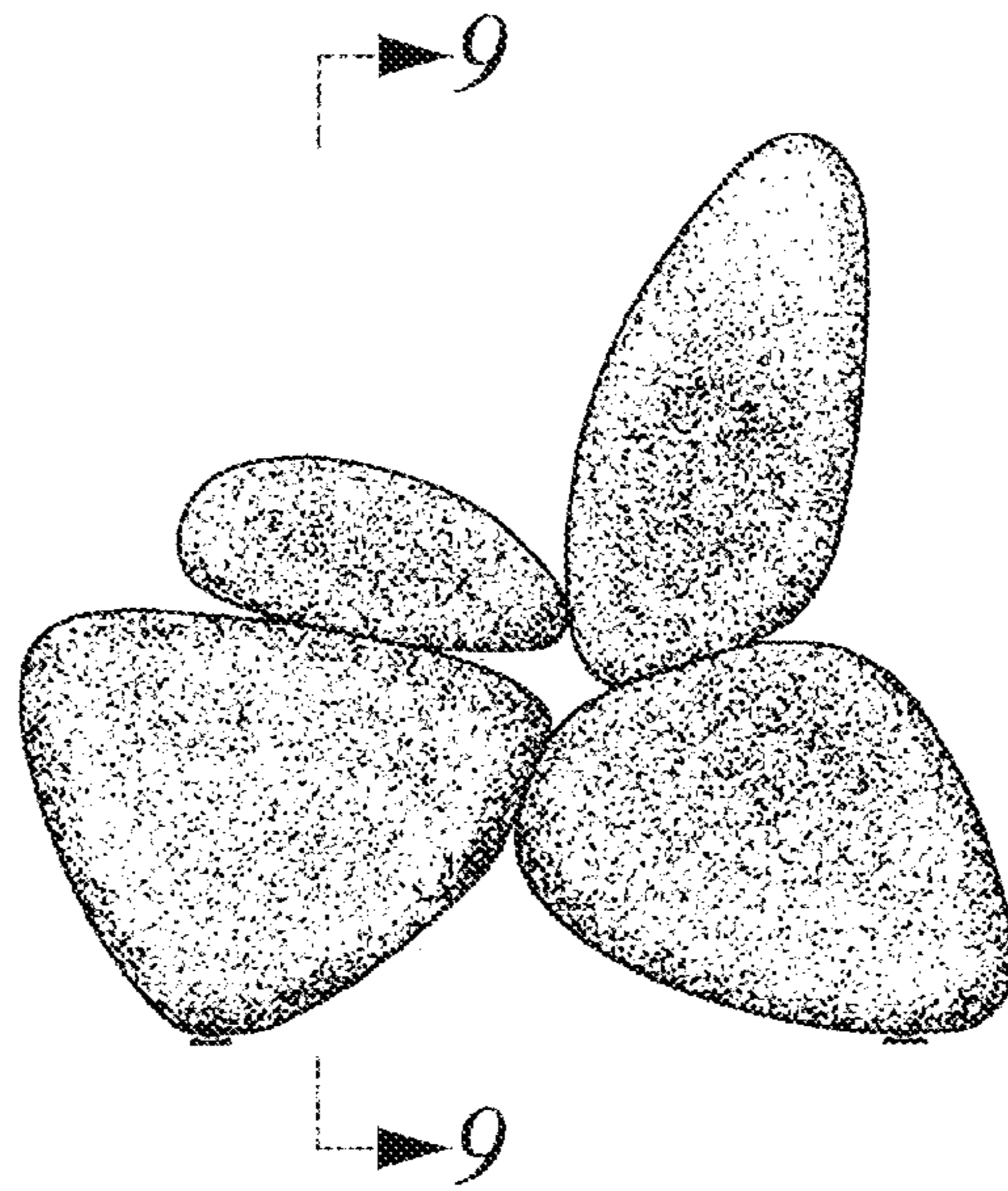


*Fig. 5*

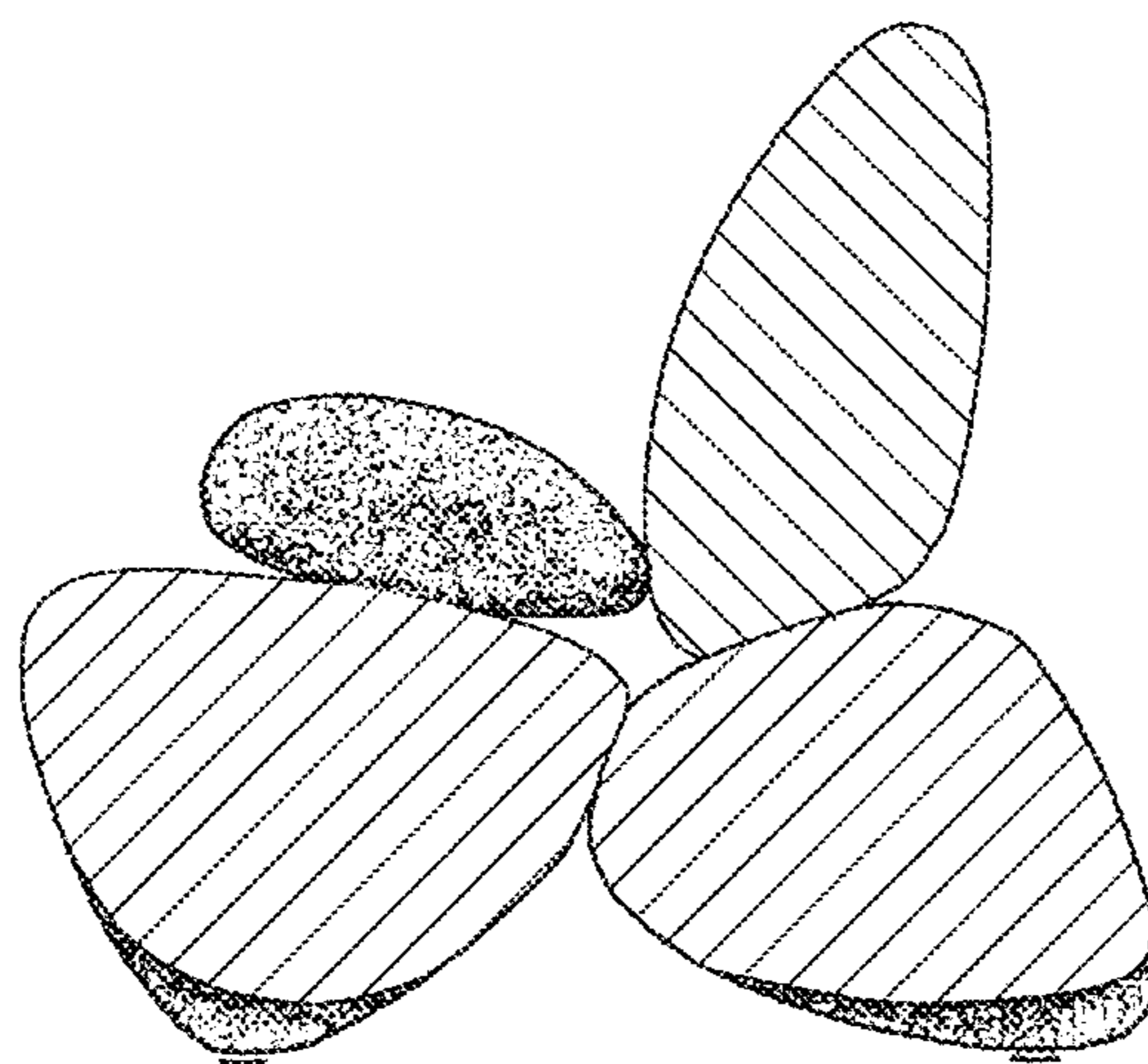


*Fig. 6*

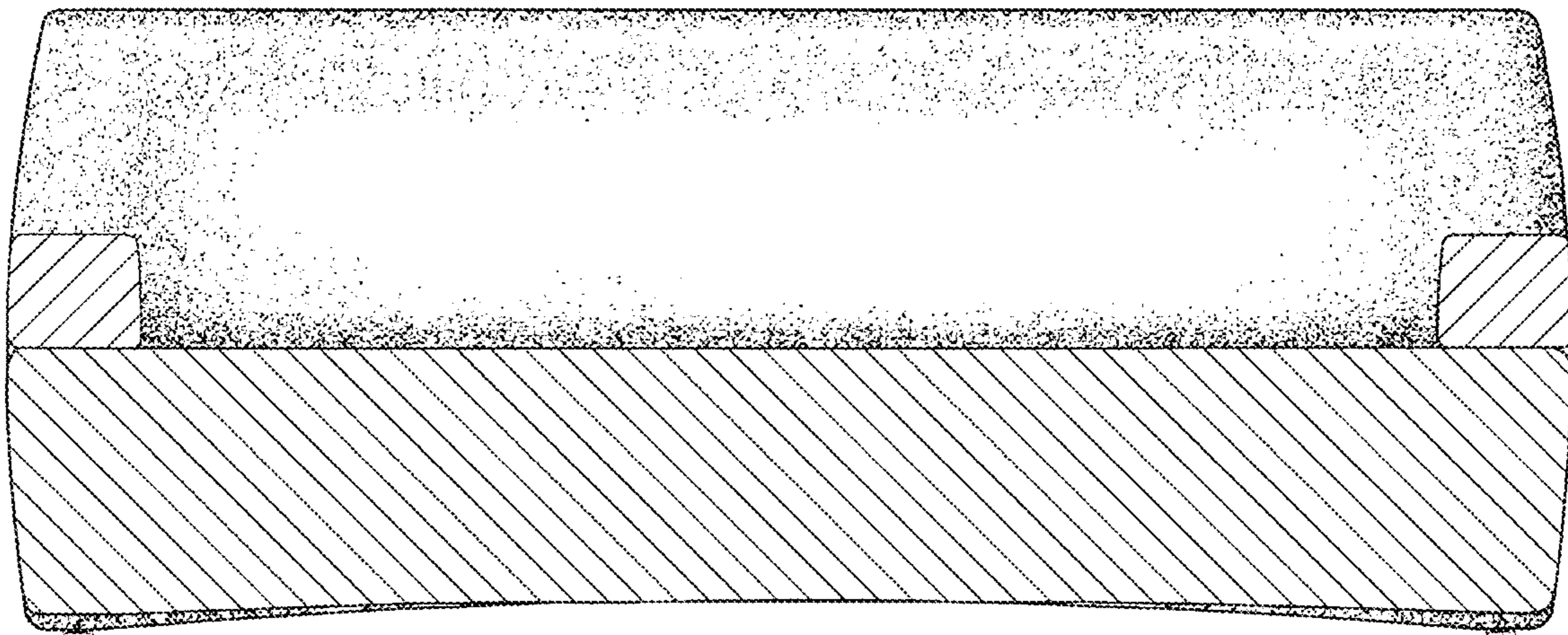




*Fig. 7*



*Fig. 8*



*Fig. 9*