



US00D887741S

(12) **United States Design Patent**  
**Okuyama et al.**

(10) **Patent No.:** **US D887,741 S**  
(45) **Date of Patent:** **\*\* Jun. 23, 2020**

(54) **MESSAGE CHAIR**

(71) Applicant: **FIUS Distributors, LLC**, Boulder, CO (US)

(72) Inventors: **Kiyoyuki Okuyama**, Yamagata (JP);  
**Yoichi Hirata**, Kanagawa (JP);  
**Kazuhide Maeda**, Kanagawa (JP);  
**Meza Mendoza Issac Alejandro**, Tokyo (JP)

(73) Assignee: **FIUS DISTRIBUTORS, LLC**, Boulder, CO (US)

(\*\*) Term: **15 Years**

(21) Appl. No.: **29/659,166**

(22) Filed: **Aug. 7, 2018**

(51) **LOC (12) Cl.** ..... **06-01**

(52) **U.S. Cl.**  
USPC ..... **D6/367**

(58) **Field of Classification Search**  
USPC ..... D6/333, 334, 335, 339, 356, 364, 367,  
D6/601, 716.4, 717; D12/333; D16/237  
CPC ..... B60N 2/26; B60N 2/286; B60N 2/976;  
B60N 2/2812; B60N 2/2821; B60N  
2/2851; B60N 2/2869; B60N 2/2872;  
B60N 2/2875; B60N 2/2878; B60N  
2/2881; B60N 2002/024; A47C 7/506;  
A47D 1/002; B60R 21/2072; A61H 1/02;  
A61H 9/00; A61H 15/00  
See application file for complete search history.

(56) **References Cited**

**U.S. PATENT DOCUMENTS**

D502,817 S \* 3/2005 Inada ..... D6/367  
D609,932 S \* 2/2010 Lee ..... D6/367  
D613,099 S \* 4/2010 Tran ..... D6/367  
D653,468 S \* 2/2012 Hsieh ..... D6/367  
D704,947 S \* 5/2014 Zhou Honglie ..... D6/367

D705,562 S \* 5/2014 Ouchi ..... D6/367  
D733,447 S \* 7/2015 Hayashi  
D772,593 S \* 11/2016 Le ..... D6/367  
9,532,920 B2 \* 1/2017 Wang ..... A61H 15/0078  
D787,213 S \* 5/2017 Lek ..... D6/367  
D796,219 S \* 9/2017 Lin  
D815,447 S \* 4/2018 Horinoe ..... D6/367  
D852,528 S \* 7/2019 Ci ..... D6/367  
10,441,497 B2 \* 10/2019 Yoshida ..... A61H 9/0078  
D869,182 S \* 12/2019 Lin ..... D6/367

(Continued)

*Primary Examiner* — Kevin K Rudzinski

*Assistant Examiner* — Paul D Bohannon

(74) *Attorney, Agent, or Firm* — Bryan Cave Leighton Paisner, LLP

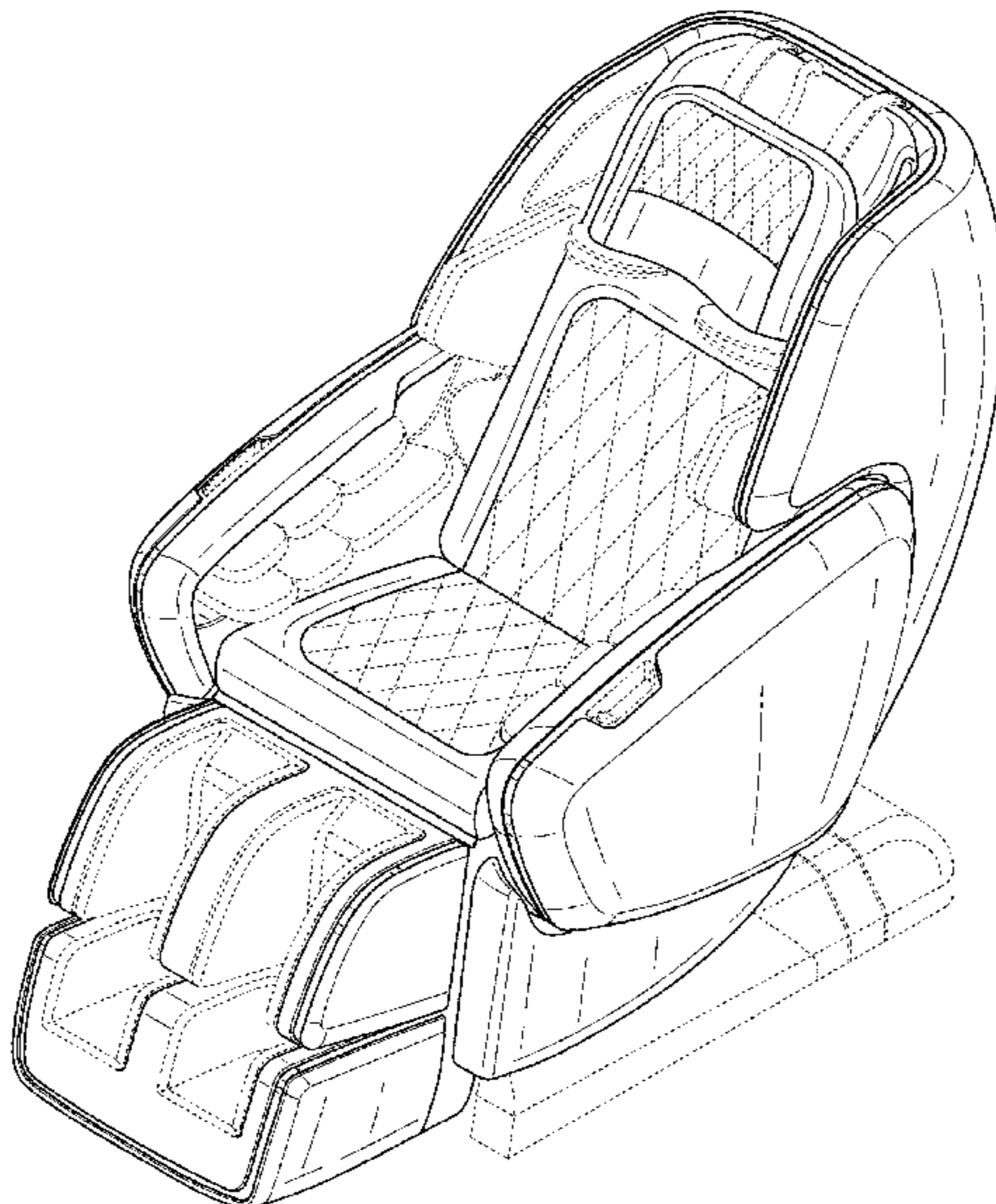
(57) **CLAIM**

The ornamental design for a massage chair, as shown and described.

**DESCRIPTION**

FIG. 1 is a front perspective view of the massage chair; FIG. 2 is a front view thereof; FIG. 3 is a side view thereof; FIG. 4 is an opposite view thereof; FIG. 5 is a rear view thereof; FIG. 6 is a top view thereof; FIG. 7 is a rear perspective view thereof; FIG. 8 is a front view thereof showing arms of the massage chair in an alternate position; FIG. 9 is a rear view thereof showing arms of the massage chair in an alternate position; FIG. 10 is an enlarged, fragmentary view thereof showing an inner portion of a right arm of the massage chair; and, FIG. 11 is an enlarged, fragmentary view thereof showing an inner portion of a left arm of the massage chair. The broken line showings in the figures are for the purpose of illustrating environment and/or boundaries only and form no part of the claimed design.

**1 Claim, 10 Drawing Sheets**



(56)

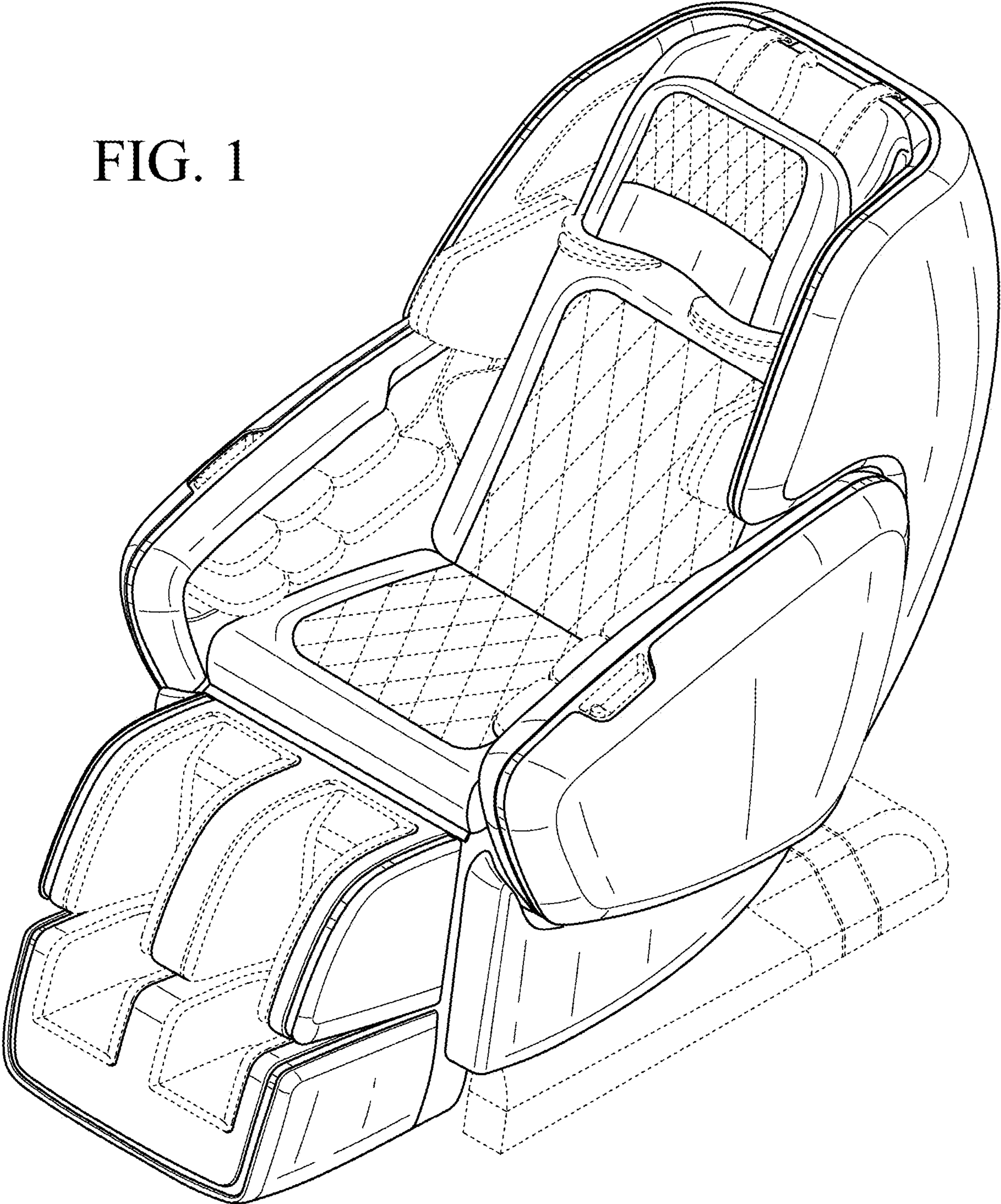
**References Cited**

U.S. PATENT DOCUMENTS

2010/0198120 A1\* 8/2010 Tago ..... A61H 1/0237  
601/134  
2015/0051526 A1\* 2/2015 Wang ..... A47C 7/70  
601/99

\* cited by examiner

FIG. 1



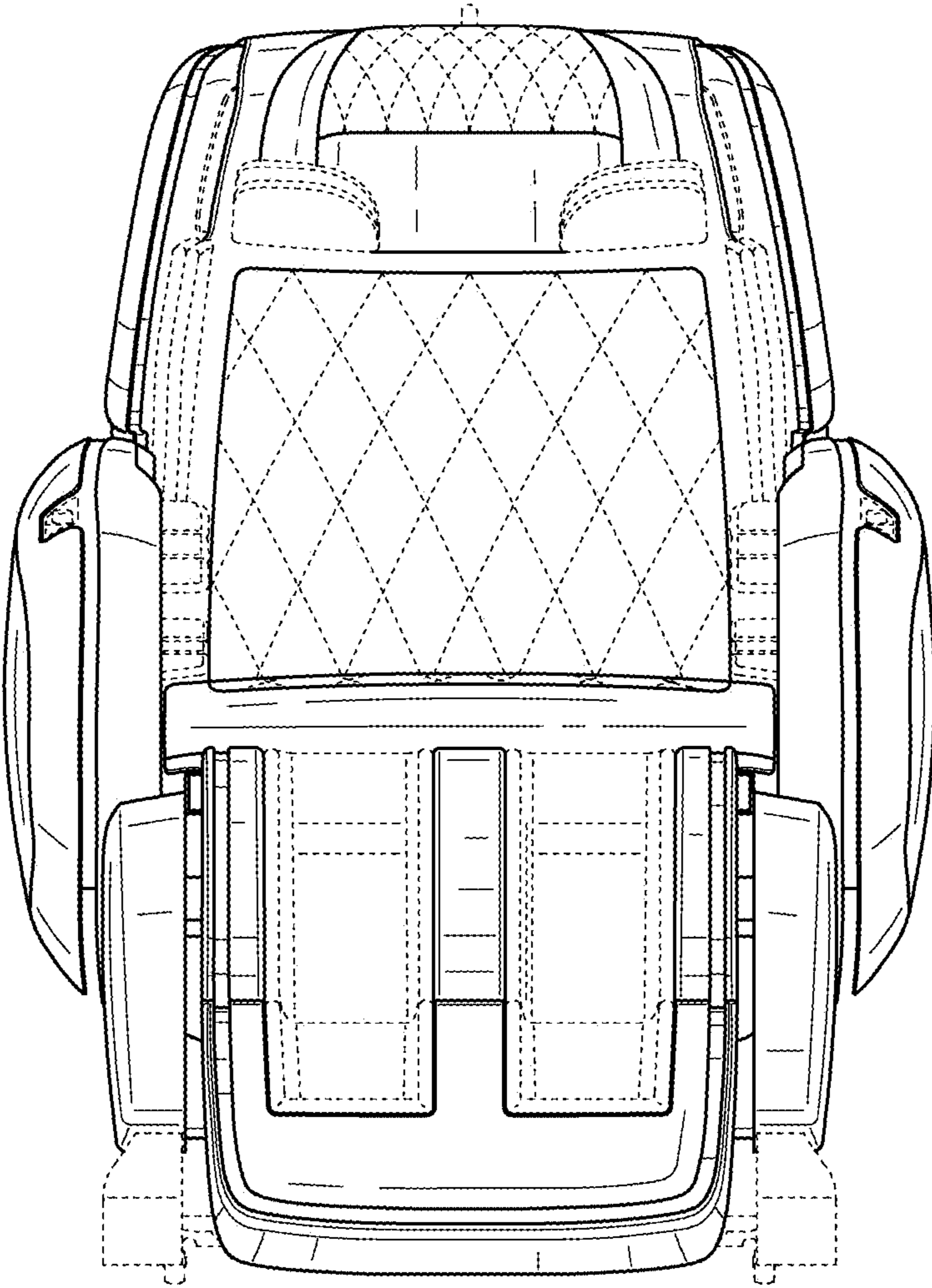


FIG. 2

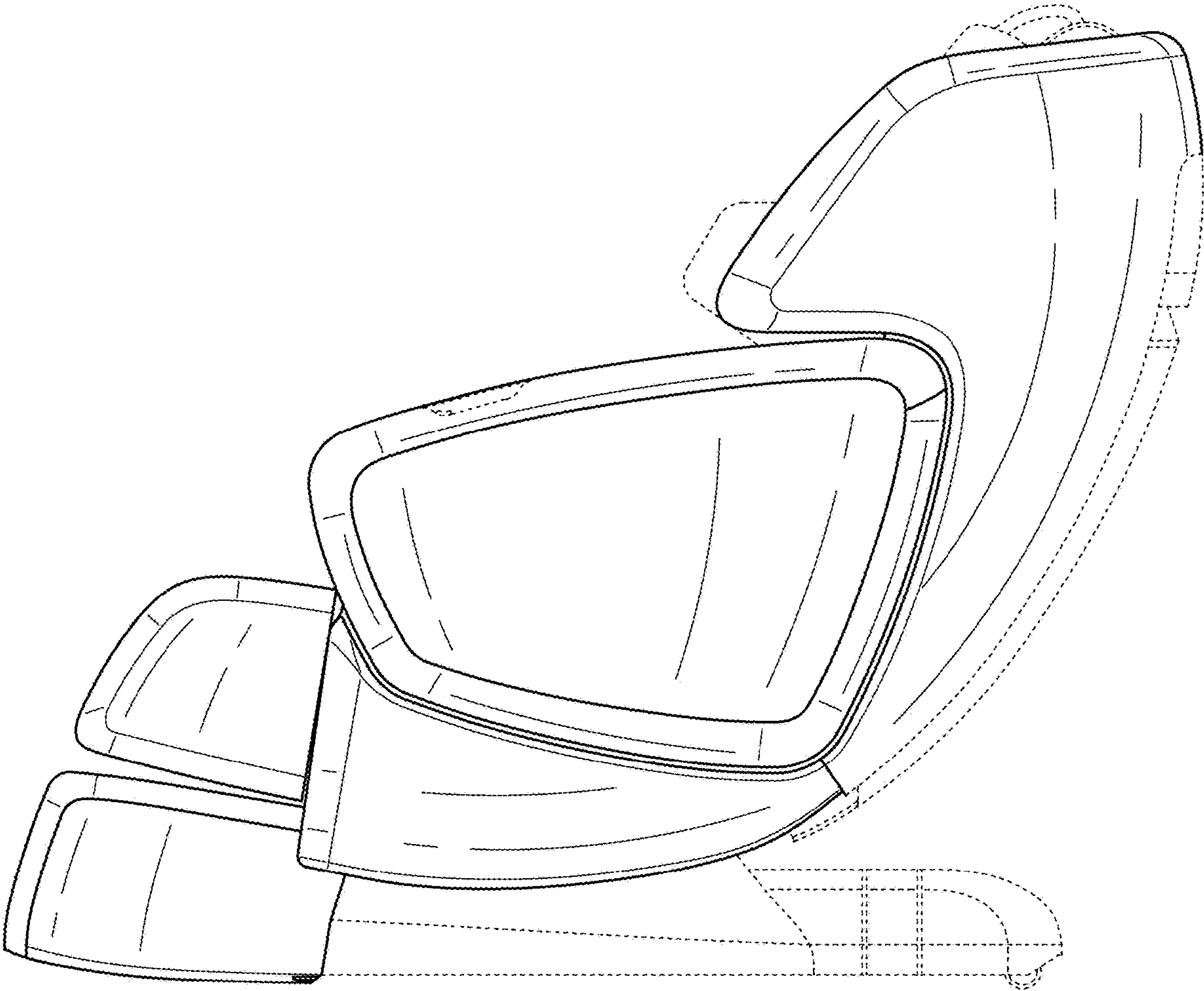


FIG. 3

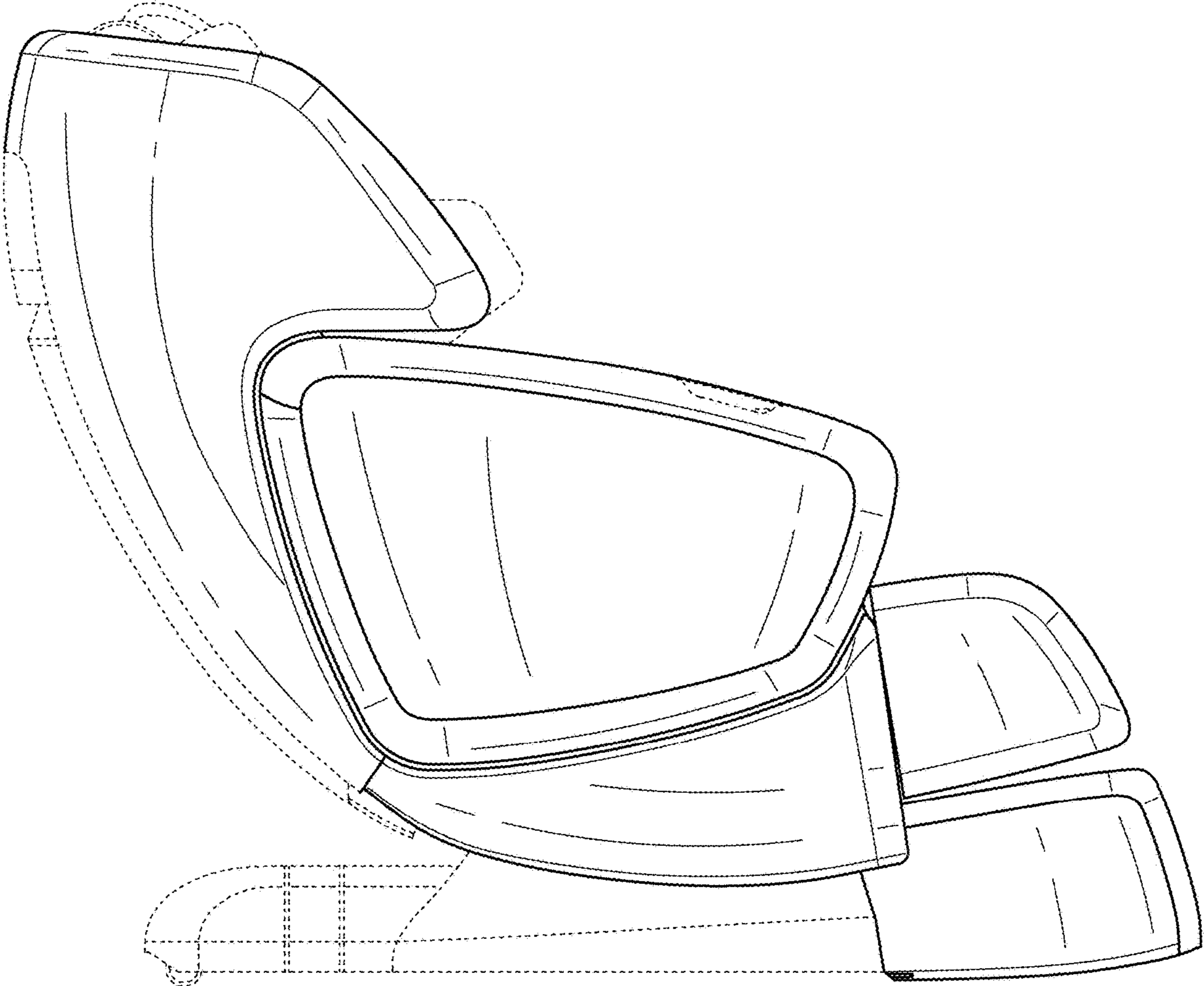


FIG. 4

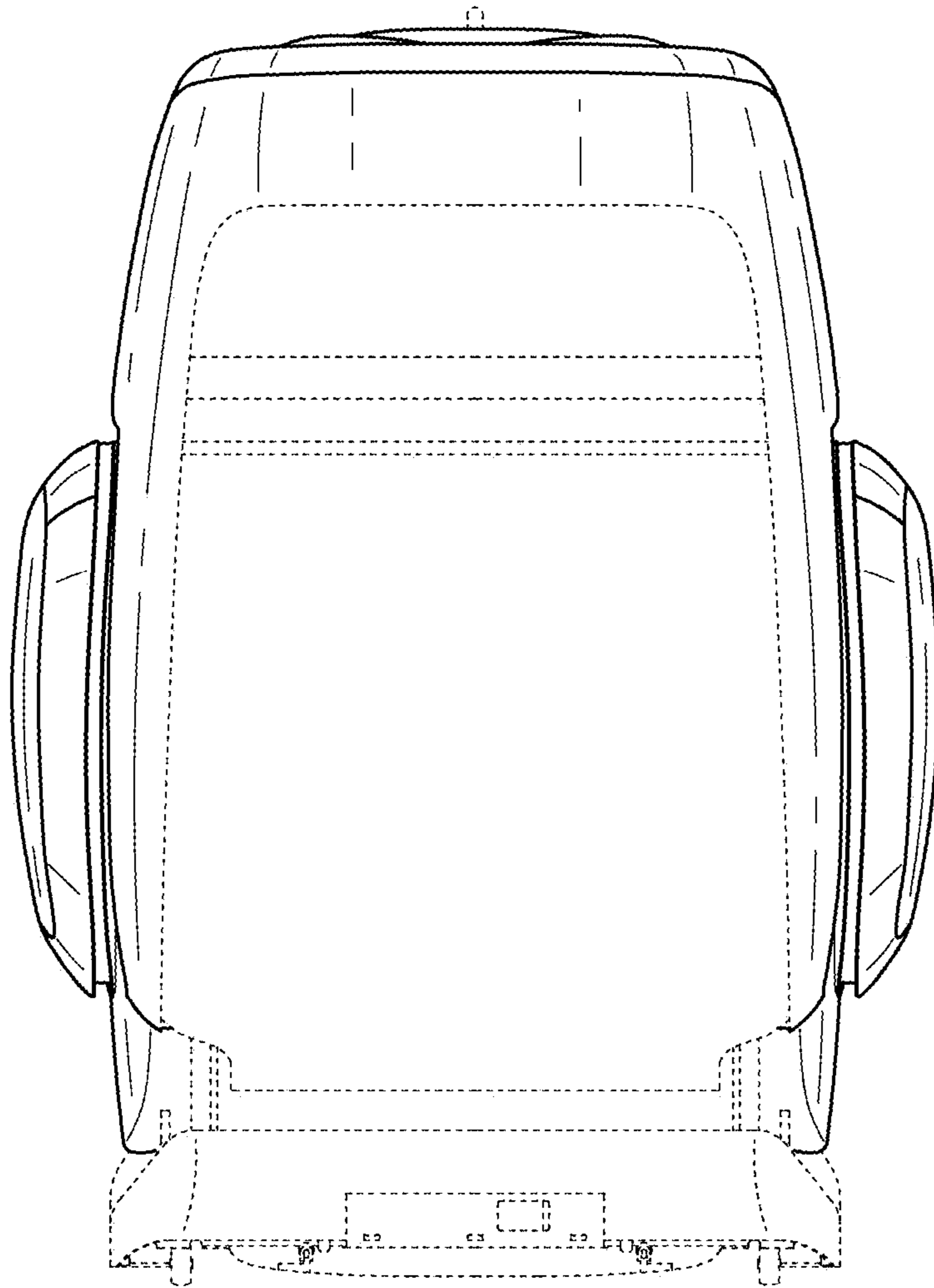


FIG. 5

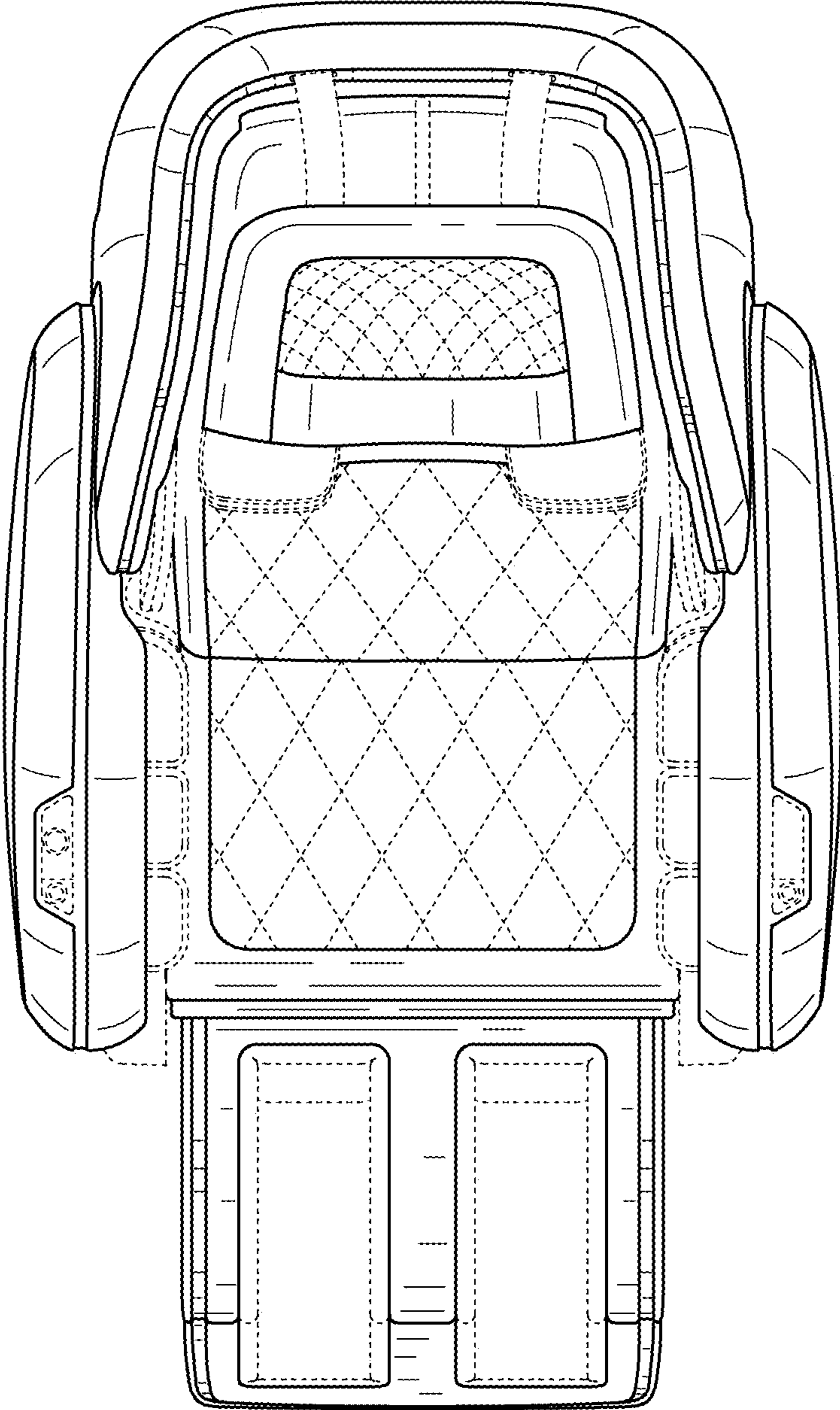


FIG. 6



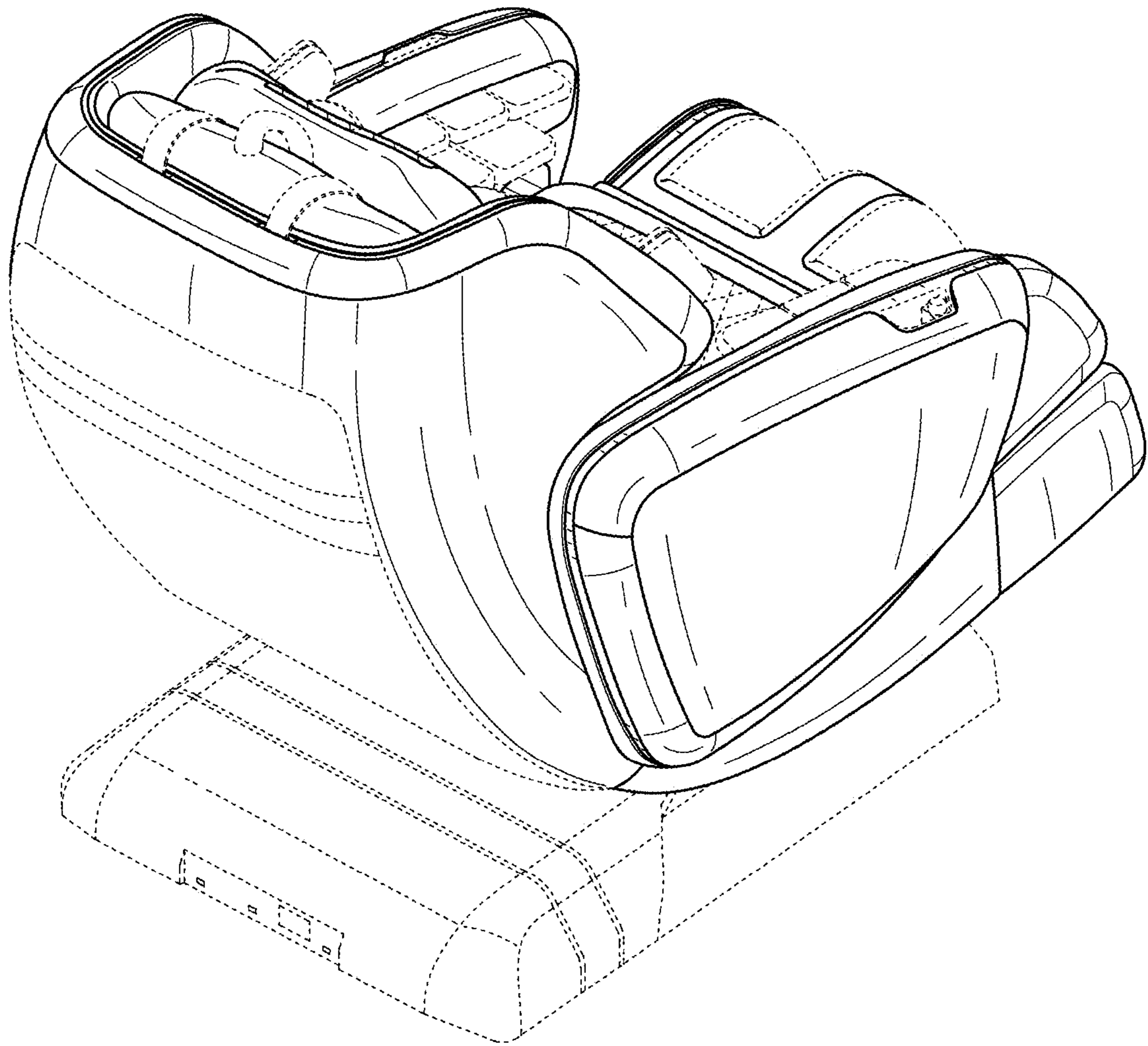


FIG. 7

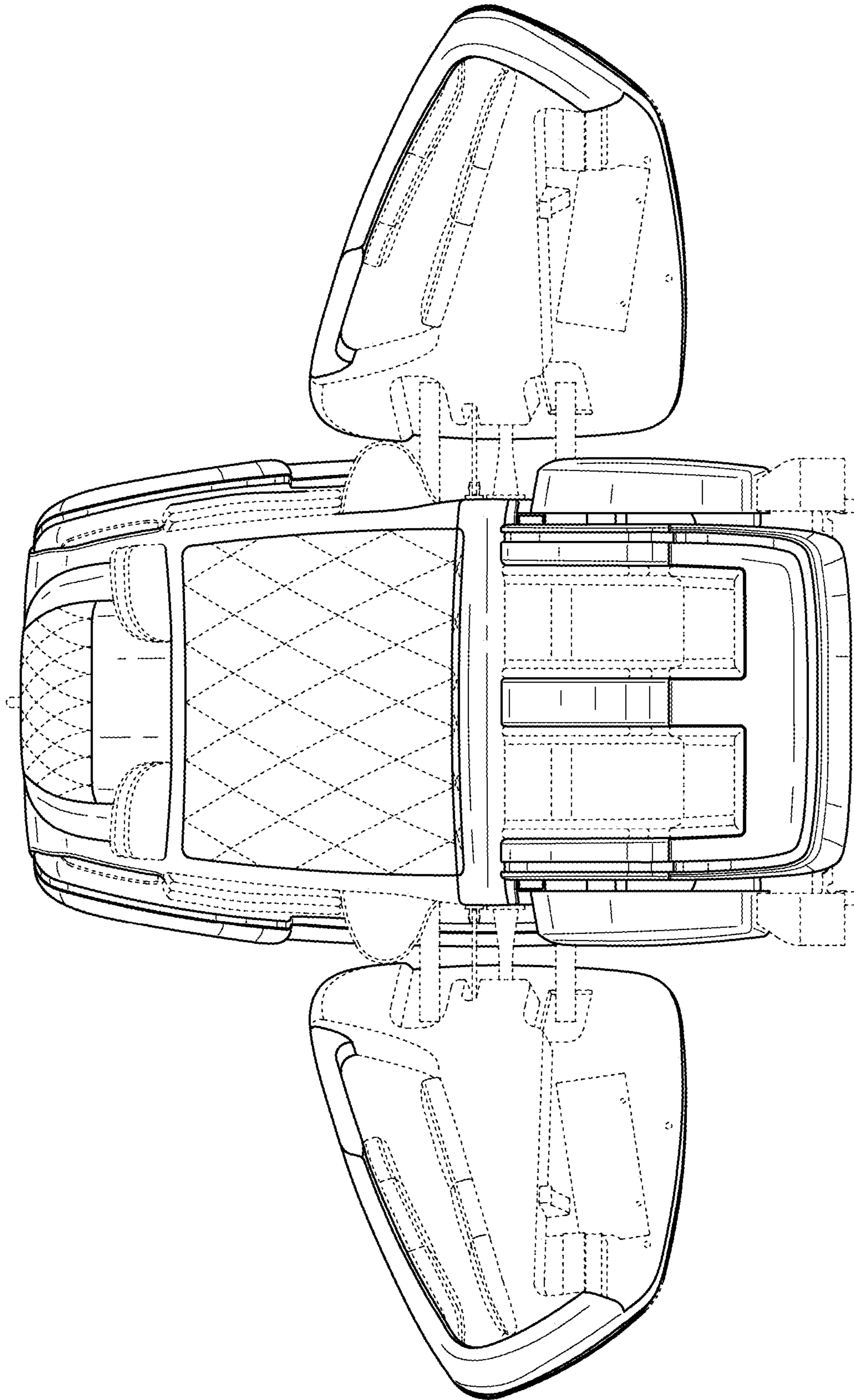


FIG. 8

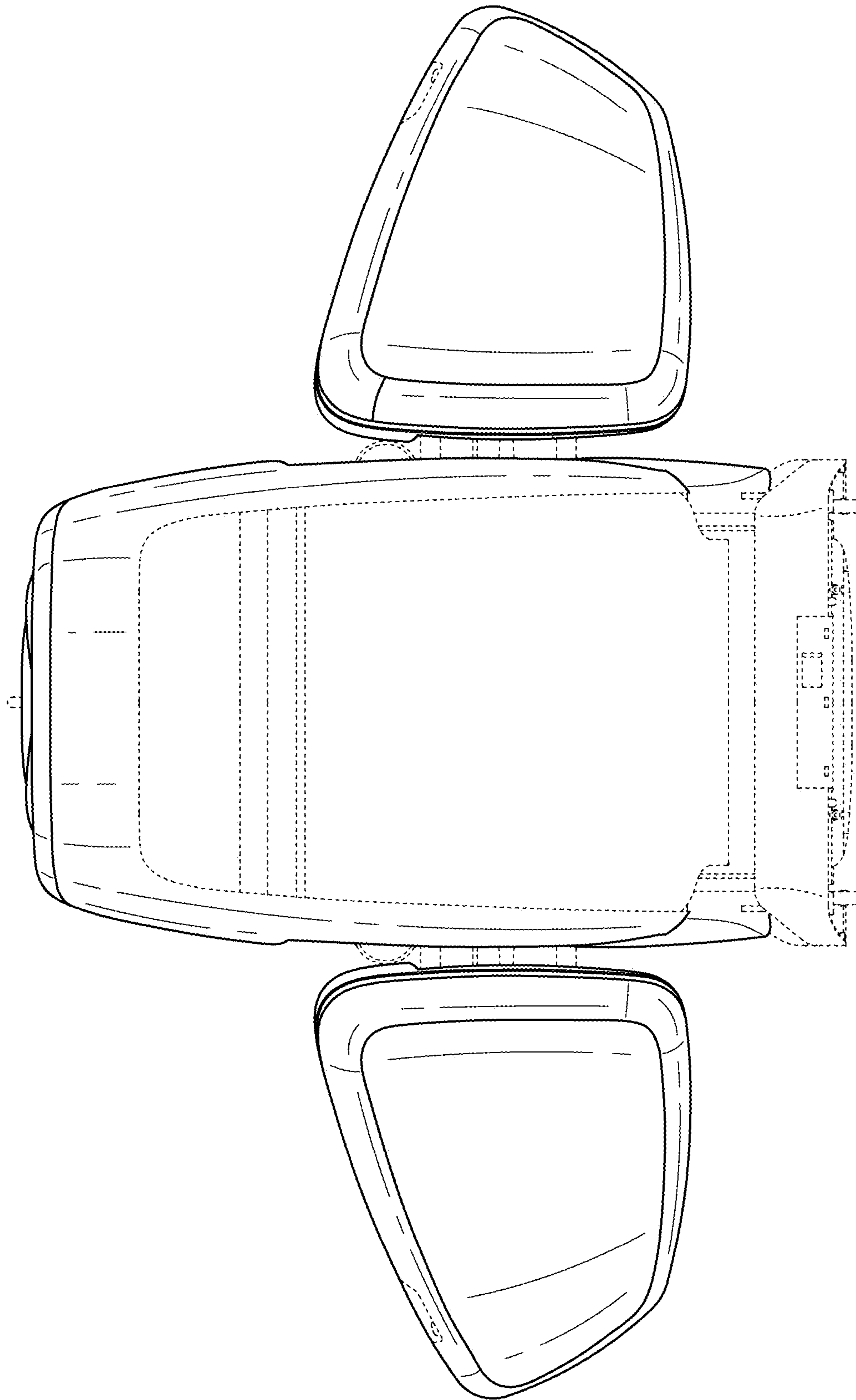


FIG. 9

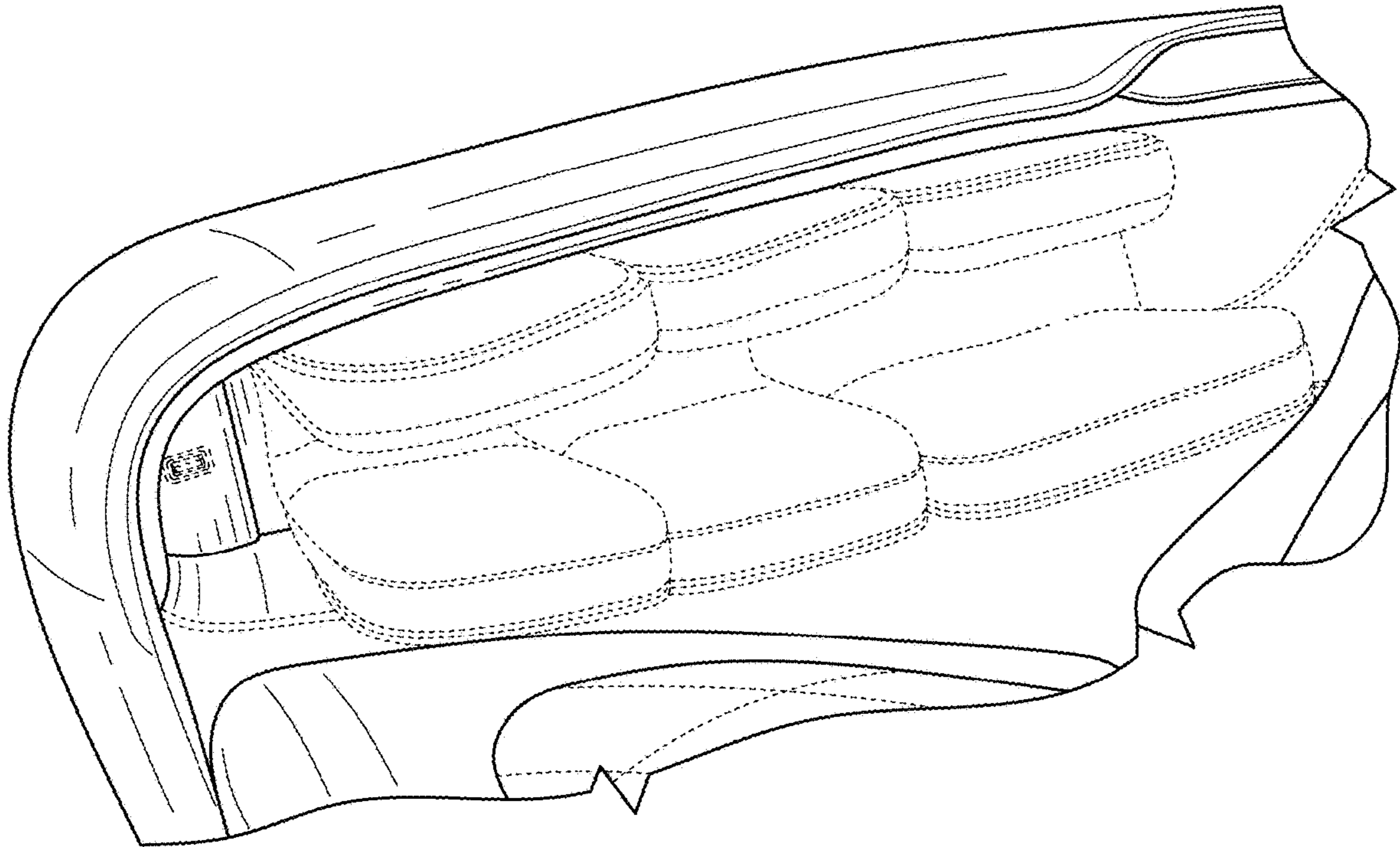


FIG. 10

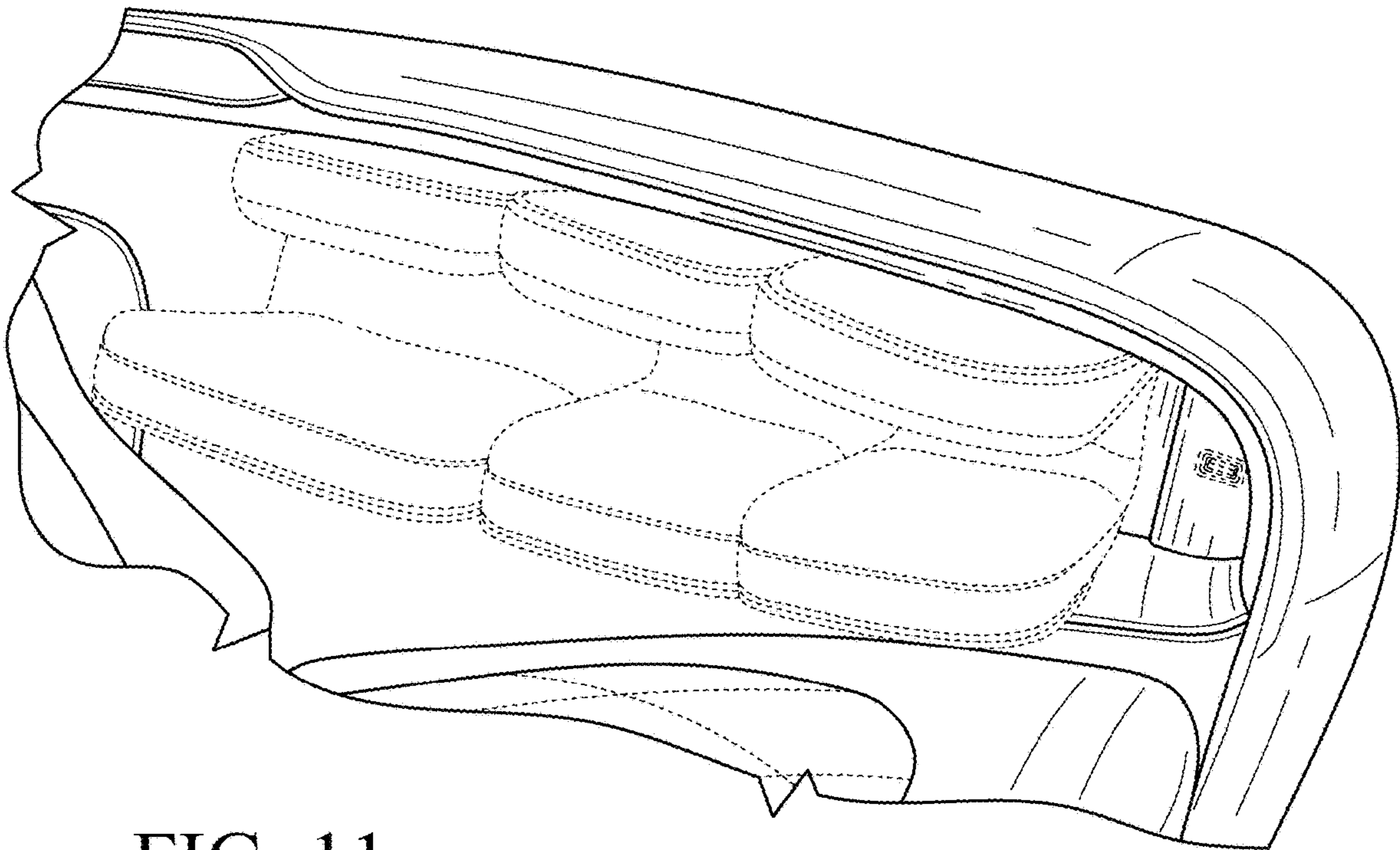


FIG. 11