



US00D887737S

(12) **United States Design Patent**
Tomasson et al.

(10) **Patent No.:** **US D887,737 S**
(45) **Date of Patent:** **** Jun. 23, 2020**

- (54) **VEHICLE PASSENGER SEAT**
- (71) Applicant: **NIO NEXTEV LIMITED**, Hong Kong (HK)
- (72) Inventors: **Kris Tomasson**, Munich (DE); **Jochen Paesen**, Munich (DE); **Philip Gillman**, Munich (DE); **Song Wei Teo**, Munich (DE)
- (73) Assignee: **NIO NEXTEV LIMITED**, Hong Kong (HK)
- (**) Term: **15 Years**
- (21) Appl. No.: **29/682,268**
- (22) Filed: **Mar. 4, 2019**
- (51) **LOC (12) Cl.** **06-01**
- (52) **U.S. Cl.**
USPC **D6/356**
- (58) **Field of Classification Search**
USPC D6/334, 356, 360, 369, 370, 374, 376, D6/716, 716.1, 716.2, 716.3, 716.4, D6/716.5, 716.7, 366; D21/521, 533, D21/548; D12/133
CPC A61H 2201/0149; B60N 2/06; B60N 2/20; B60N 2/22; B60N 2/58; B60N 2/68; B60N 2/80; B60N 2/643; B60N 2/888; B60N 2/859; B60N 2/1615; B60N 2/7035; B60N 2/42745; B60N 2002/0272; B60N 2205/35; B60N 2/44; B60N 2/56; B60N 2/206; B60N 2/366; B60N 2/933; B60N 2/2222; B60N 2/2245; B60N 2/686; B60N 2/688; F16B 2/08; F16B 2/803; F16B 45/00
See application file for complete search history.

- D496,534 S * 9/2004 Pfeiffer D6/356
- D506,084 S * 6/2005 Beermann D6/356
- D536,185 S * 2/2007 Ritzel D6/356
- D541,542 S * 5/2007 Yokoyama D6/356
- D562,576 S * 2/2008 Ritzel D6/356
- D574,619 S * 8/2008 Maezono D6/356
- D576,413 S * 9/2008 Arnaout D6/356
- D591,068 S * 4/2009 Corradi D6/356
- D651,002 S * 12/2011 Fleming D6/356
- D723,821 S * 3/2015 Kondou D6/356
- D723,823 S * 3/2015 Persson D6/356
- D773,197 S * 12/2016 Grimmel D6/356
- 9,637,035 B2 * 5/2017 Abe B60N 2/646
- 9,718,387 B2 * 8/2017 Lline B60N 2/80
- D799,225 S * 10/2017 Callum D6/356
- D805,313 S * 12/2017 Varga D6/356
- D808,185 S * 1/2018 Kondo D6/356
- D829,457 S * 10/2018 Iida D6/356
- D849,433 S * 5/2019 Whyte D6/356

(Continued)

Primary Examiner — Kevin K Rudzinski
Assistant Examiner — Paul D Bohannon
 (74) *Attorney, Agent, or Firm* — Sutton Magidoff
 Barkume LLP

(57) **CLAIM**

The ornamental design for a vehicle passenger seat, as shown and described.

DESCRIPTION

FIG. 1 is a perspective view of a vehicle passenger seat showing our new design;
 FIG. 2 is another perspective view thereof;
 FIG. 3 is a right view thereof;
 FIG. 4 is a left view thereof;
 FIG. 5 is a top view thereof;
 FIG. 6 is a front view thereof;
 FIG. 7 is a rear view thereof; and,
 FIG. 8 is a bottom view thereof.

1 Claim, 4 Drawing Sheets

(56) **References Cited**

U.S. PATENT DOCUMENTS

- 3,729,228 A * 4/1973 Inoue B60N 2/803
297/396
- D442,376 S * 5/2001 Norman D6/356



(56)

References Cited

U.S. PATENT DOCUMENTS

D854,345 S	*	7/2019	Rost	D6/356
D860,664 S	*	9/2019	Quaintance	D6/356
D867,002 S	*	11/2019	Lauter	D6/356
D868,490 S	*	12/2019	Lauter	D6/356
D870,477 S	*	12/2019	Fujita	D6/356

* cited by examiner



Figure 1



Figure 2



Figure 3



Figure 4



Figure 5



Figure 6



Figure 7

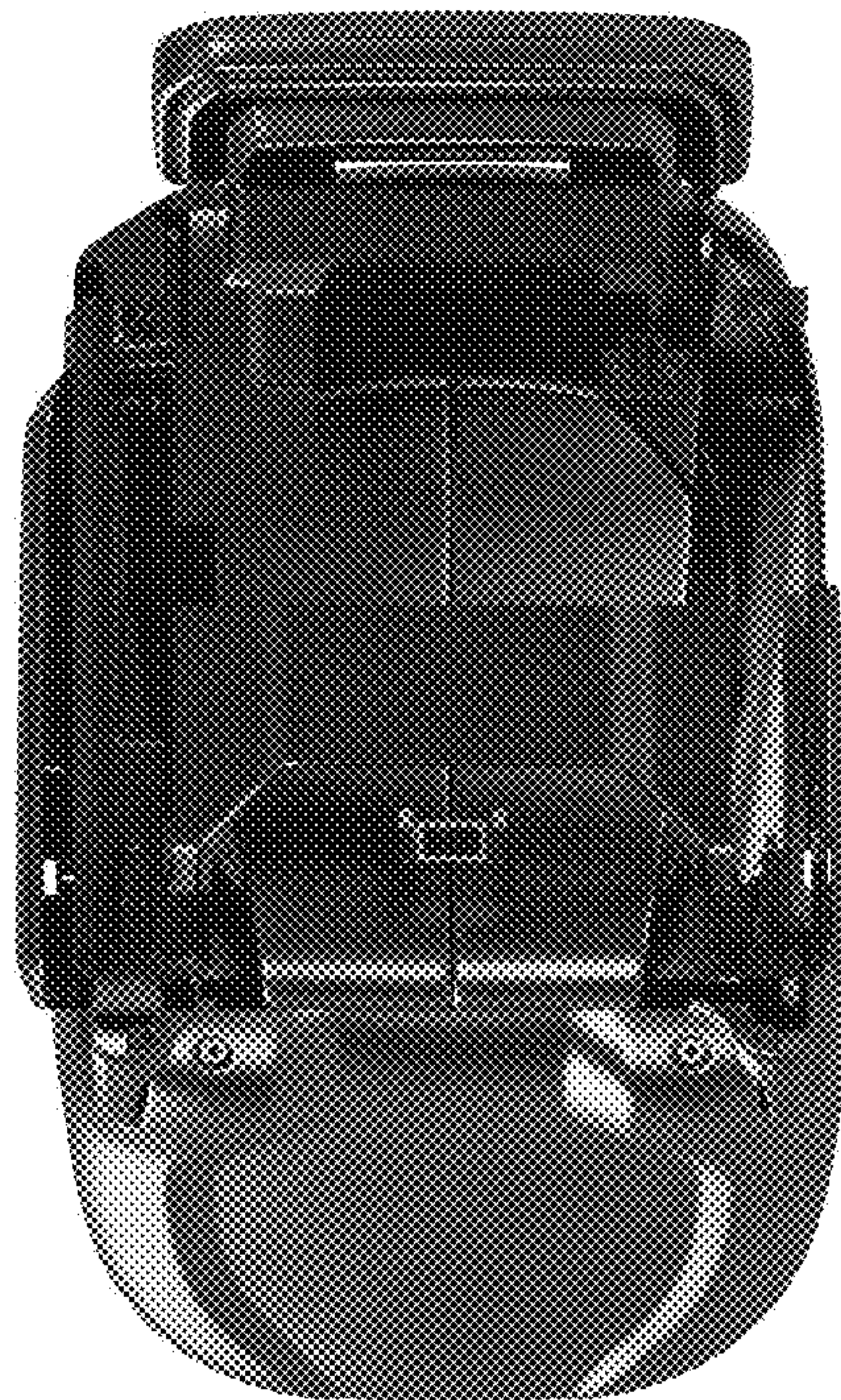


Figure 8