



US00D887733S

(12) **United States Design Patent**  
**Wesline**

(10) **Patent No.:** **US D887,733 S**  
(45) **Date of Patent:** **\*\* Jun. 23, 2020**

(54) **VEHICLE SEAT**  
(71) Applicant: **Milsco, LLC**, Milwaukee, WI (US)  
(72) Inventor: **Scott M. Wesline**, Menomonee Falls, WI (US)  
(73) Assignee: **MILSCO, LLC**, Milwaukee, WI (US)  
(\*\*) Term: **15 Years**  
(21) Appl. No.: **29/671,722**  
(22) Filed: **Nov. 29, 2018**  
(51) **LOC (12) Cl.** ..... **06-01**  
(52) **U.S. Cl.**  
USPC ..... **D6/356**  
(58) **Field of Classification Search**  
USPC ..... D6/339, 353, 356, 368, 601, 655, 716.1,  
D6/716.2, 716.3, 716.4, 716.5, 716.6,  
D6/716.7  
CPC .. A47C 3/04; A47C 3/16; A47C 7/021; A47C  
7/407; A47C 17/1655; A47K 3/122;  
B60N 2/02; B60N 2/20; B60N 2/22;  
B60N 2/32; B60N 2/38; B60N 2/3002;  
B60N 2/3004; B60N 2/3011; B60N  
2/3065; B60N 2/3097; B63B 2709/00;  
B63B 29/04; B63B 2029/043; Y10S  
297/02  
See application file for complete search history.

D482,880 S \* 12/2003 Murphy ..... D6/356  
D482,881 S \* 12/2003 Murphy ..... D6/356  
D482,882 S \* 12/2003 Murphy ..... D6/356  
D483,191 S \* 12/2003 Murphy ..... D6/356  
D516,824 S \* 3/2006 Murphy ..... D6/356  
D536,187 S \* 2/2007 Goebert ..... D6/356  
D536,546 S \* 2/2007 Goebert ..... D6/356  
D536,547 S \* 2/2007 Goebert ..... D6/356  
D536,887 S \* 2/2007 Goebert ..... D6/356  
7,722,068 B2 \* 5/2010 Michelau ..... B62K 9/02  
280/220  
D646,086 S \* 10/2011 Hickman ..... D6/375  
D663,962 S \* 7/2012 Muelder ..... D6/356  
D724,334 S \* 3/2015 Ashley ..... D6/356  
2005/0183653 A1 \* 8/2005 Lewis ..... B63B 29/06  
114/363  
2005/0183655 A1 \* 8/2005 Lewis ..... B63B 29/06  
114/363

\* cited by examiner

*Primary Examiner* — Kevin K Rudzinski  
*Assistant Examiner* — Paul D Bohannon  
(74) *Attorney, Agent, or Firm* — Boyle Fredrickson S.C.

(57) **CLAIM**

The ornamental design for a vehicle seat, as shown and described.

**DESCRIPTION**

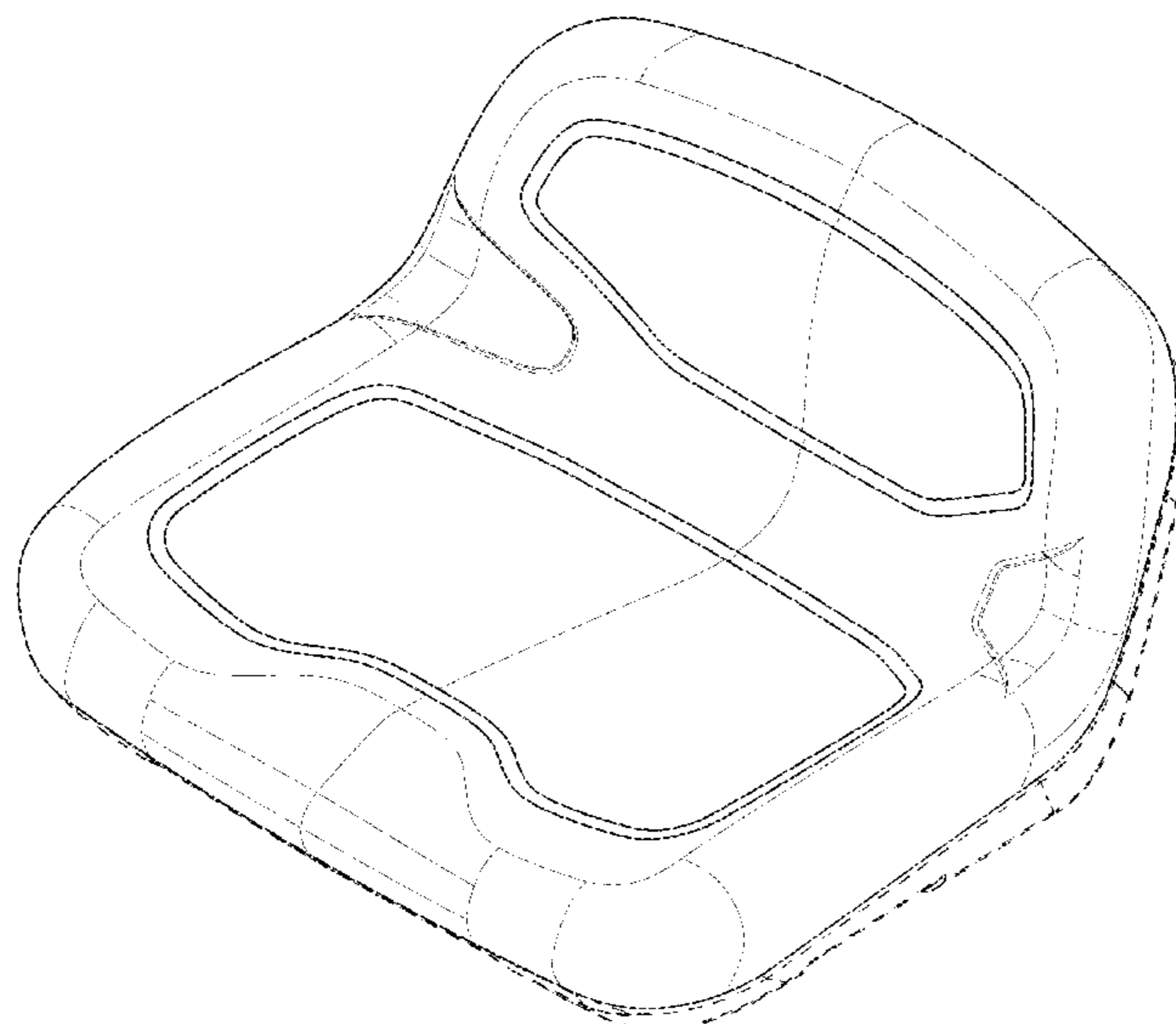
FIG. 1 is a perspective view of a vehicle seat incorporating my new design, viewed from in front of, above, and from the left side thereof;  
FIG. 2 is a front elevation view thereof;  
FIG. 3 is a rear elevation view thereof;  
FIG. 4 is a right side elevation view thereof;  
FIG. 5 is a left side elevation view thereof;  
FIG. 6 is a top plan view thereof; and,  
FIG. 7 is a bottom plan view thereof.  
The dashed lines in FIGS. 1-7 are for purposes of illustrating portions of the vehicle seat that form no part of the claimed design.

**1 Claim, 7 Drawing Sheets**

(56) **References Cited**

U.S. PATENT DOCUMENTS

D237,330 S \* 10/1975 Skyer et al. .... D6/356  
D244,645 S \* 6/1977 Talmon ..... D6/356  
4,045,080 A \* 8/1977 Barecki ..... B60N 2/242  
297/283.2  
D249,102 S \* 8/1978 Pelly ..... D6/334  
D289,706 S \* 5/1987 Talmon ..... D6/356  
5,876,085 A \* 3/1999 Hill ..... B60N 2/502  
296/65.02  
D467,088 S \* 12/2002 Haney ..... D6/356



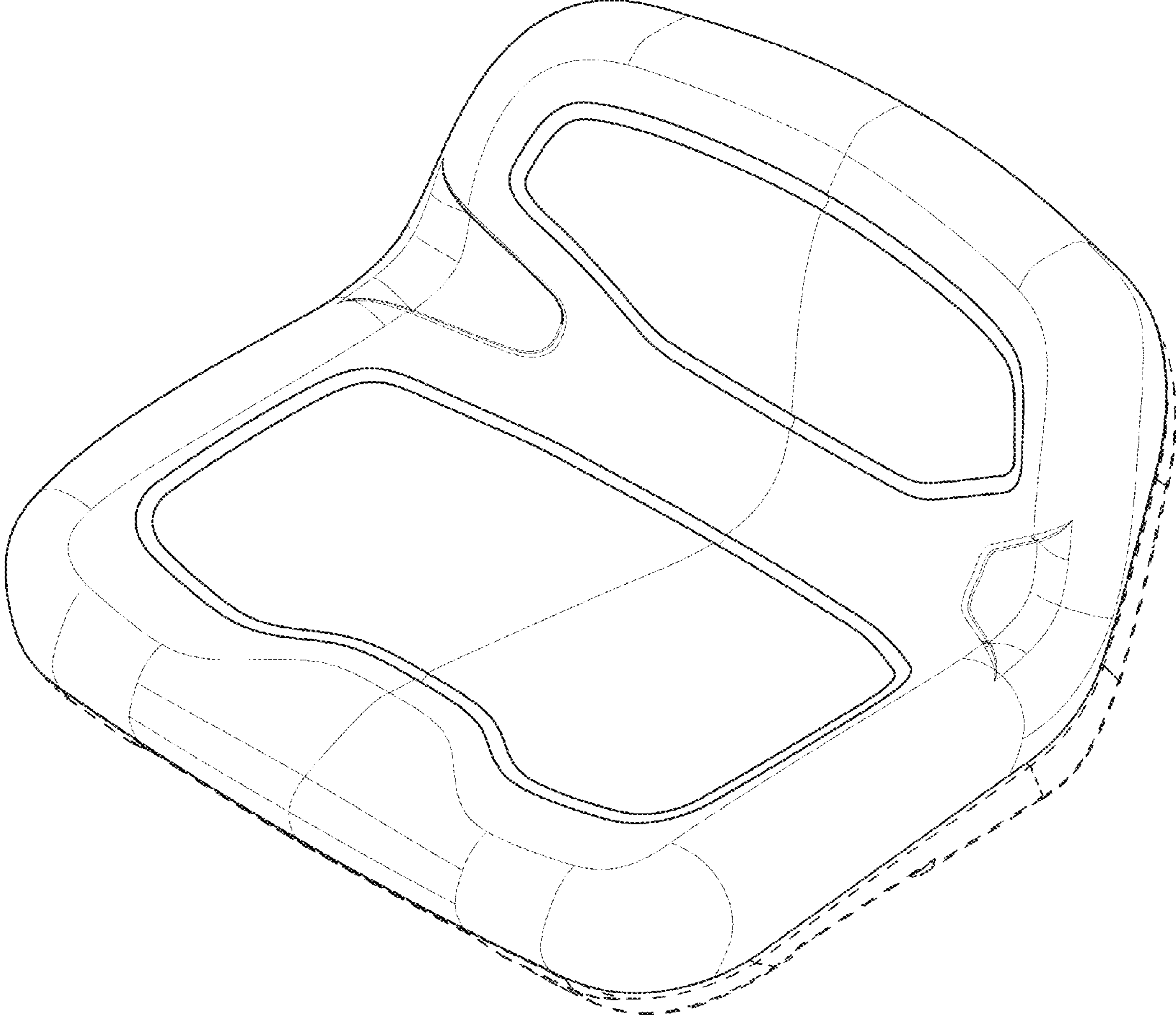


FIG. 1

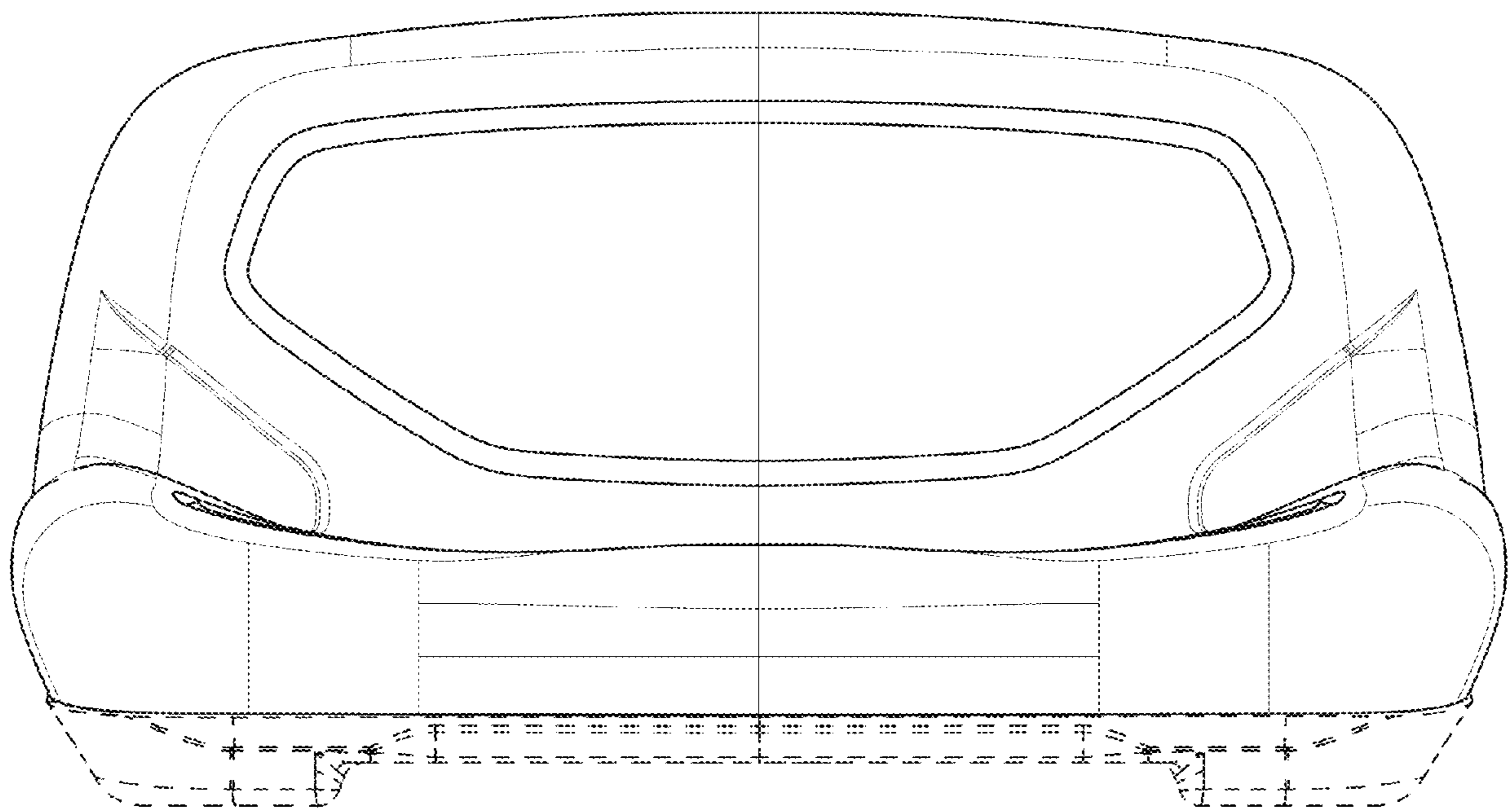


FIG. 2

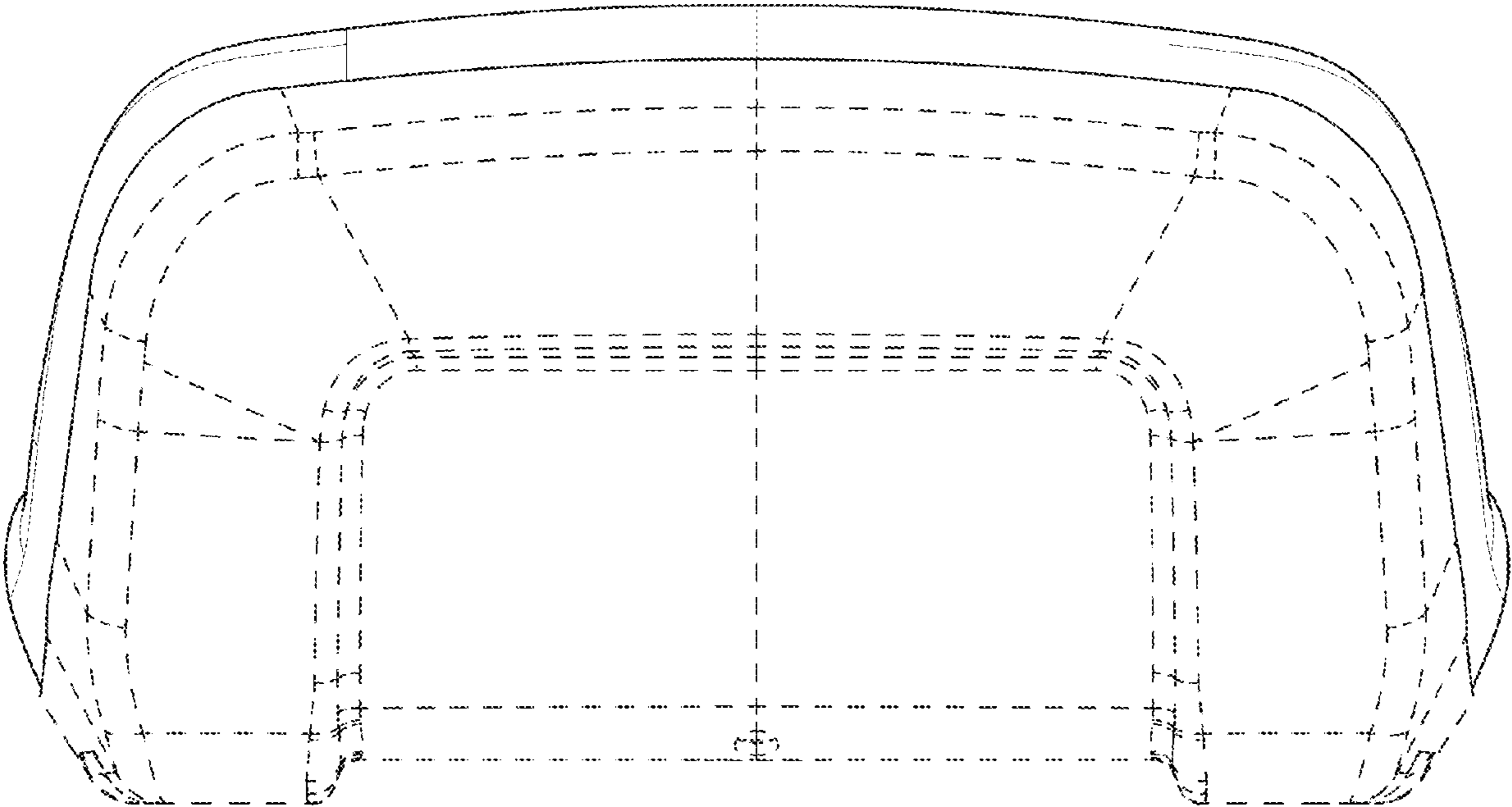


FIG. 3

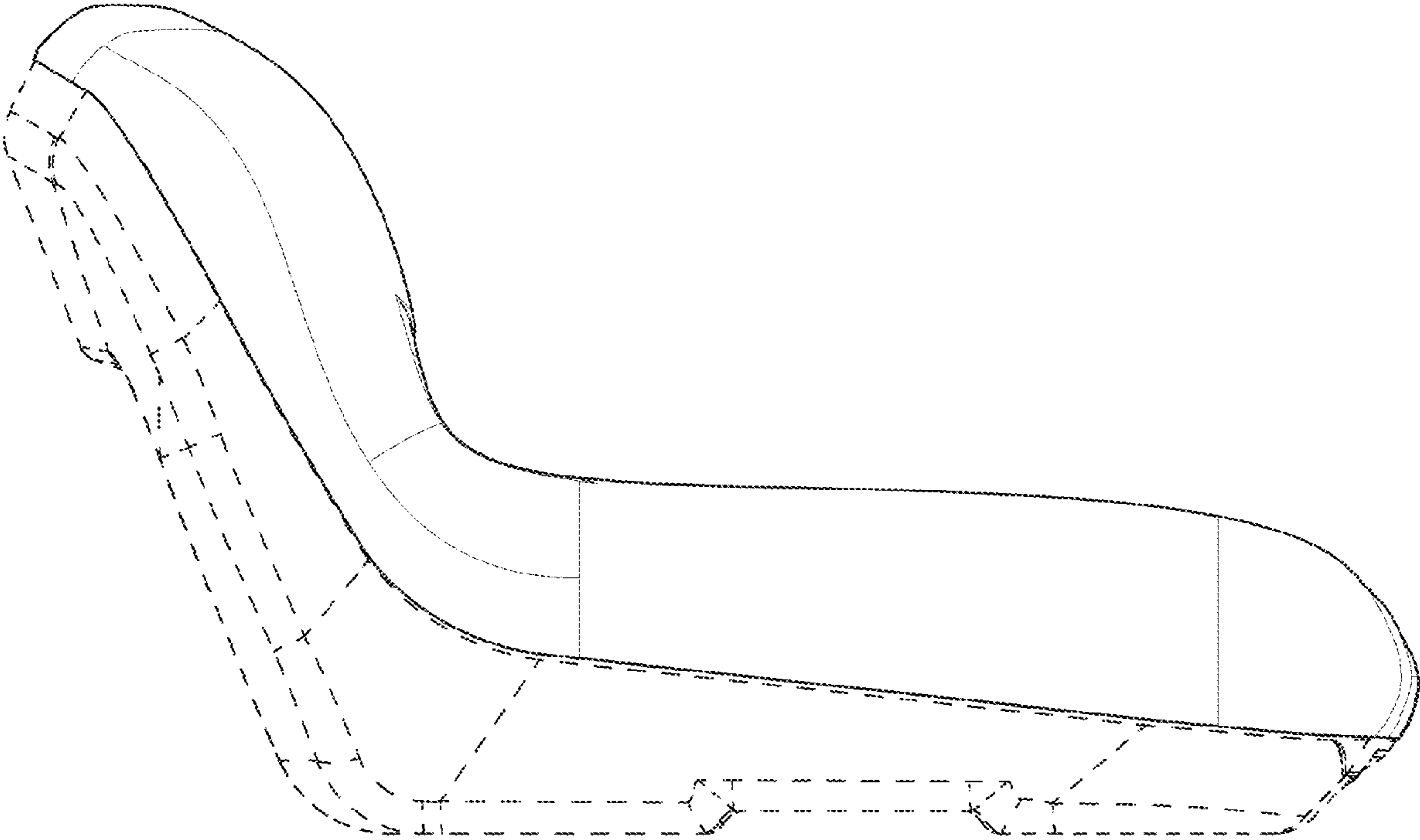


FIG. 4

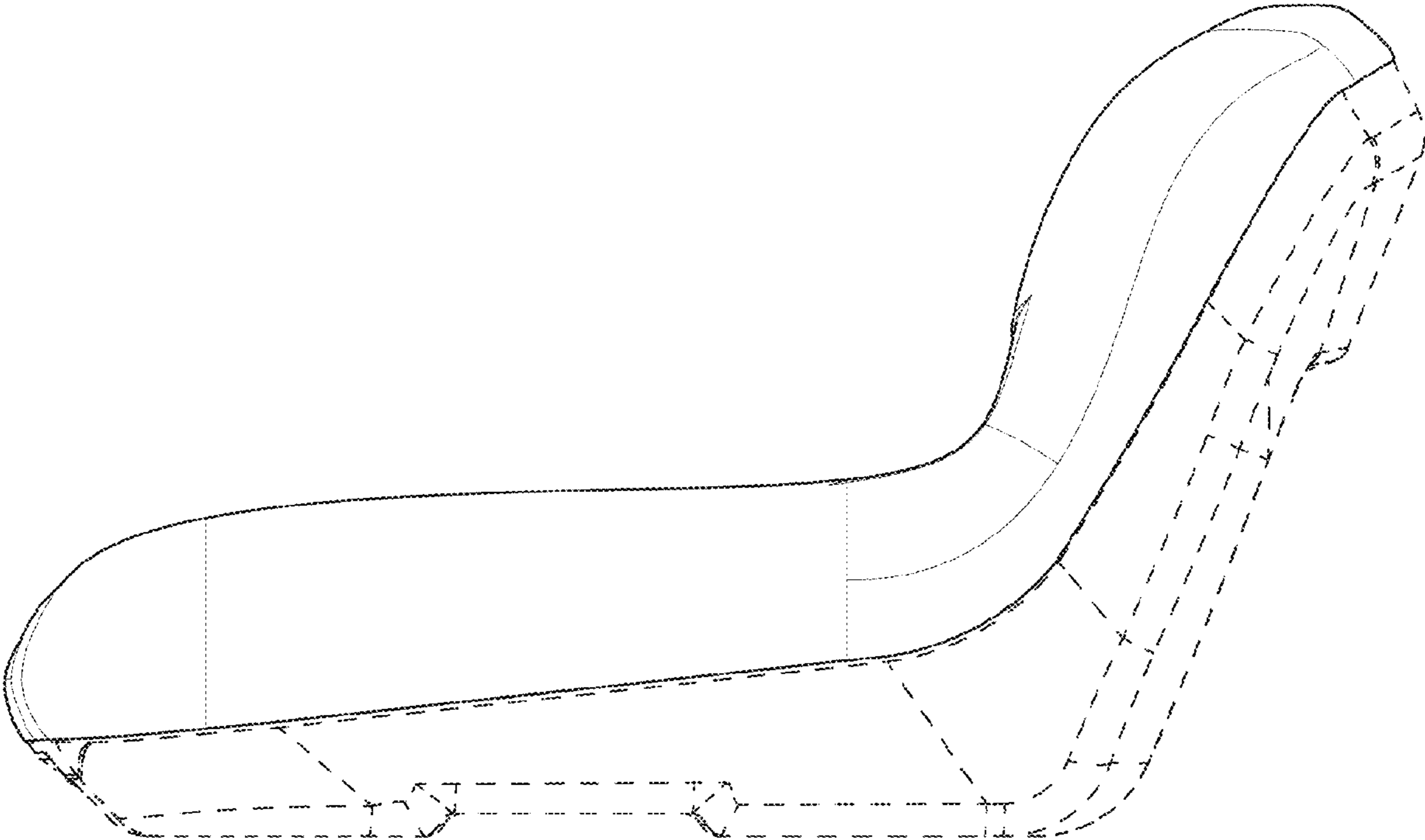


FIG. 5

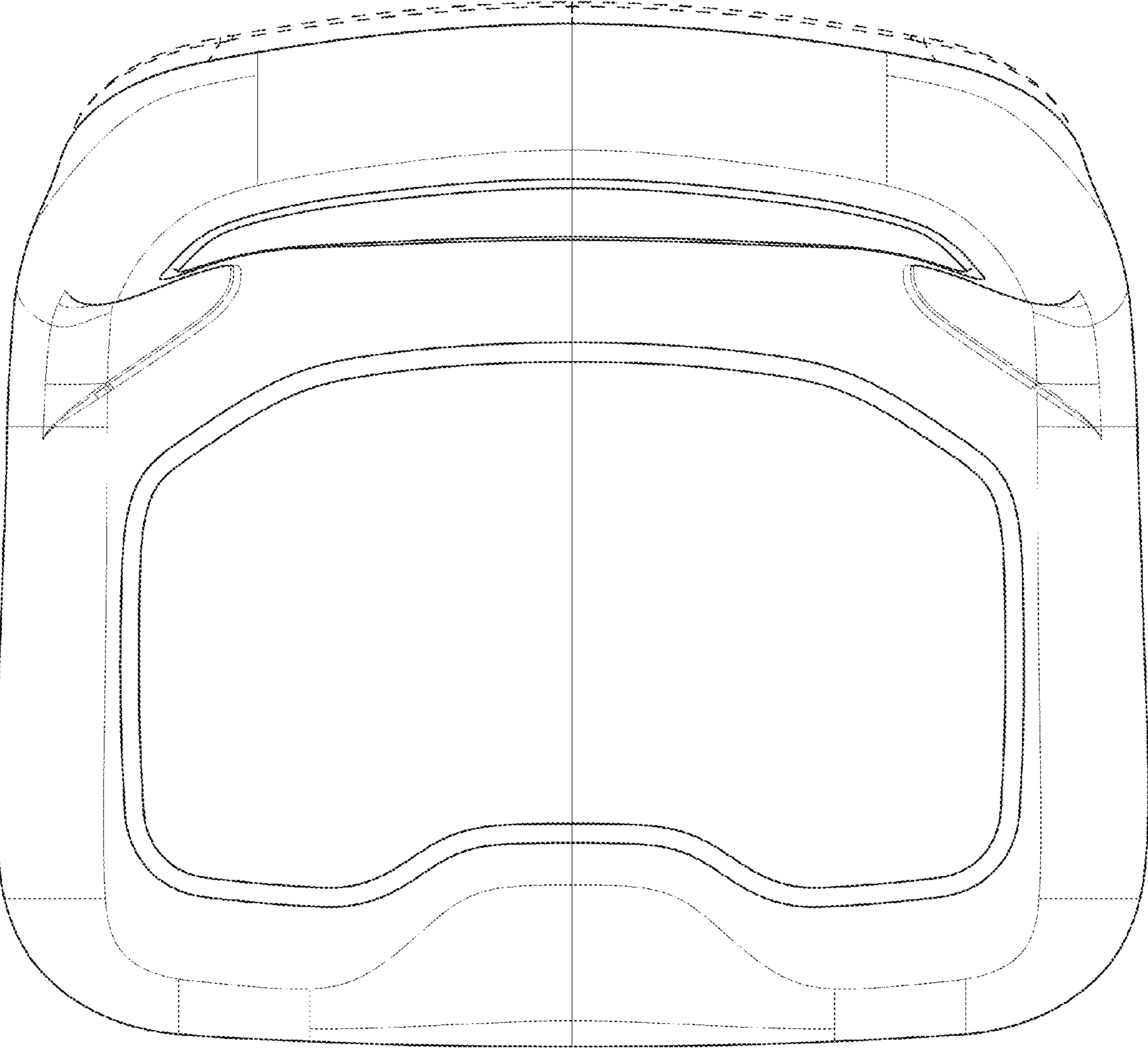


FIG. 6

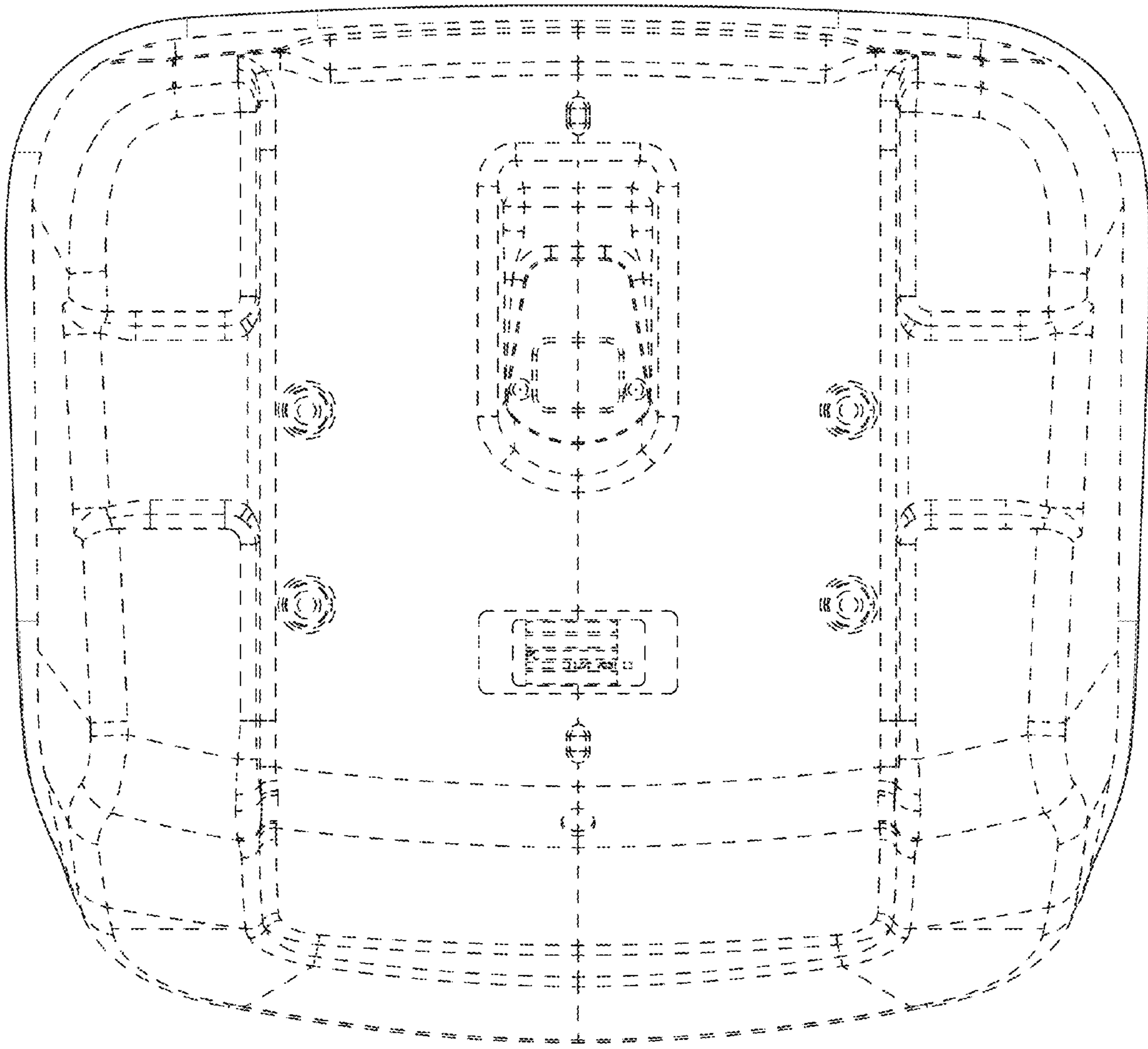


FIG. 7