



US00D887730S

(12) **United States Design Patent**
Furuland

(10) **Patent No.:** **US D887,730 S**
(45) **Date of Patent:** **** Jun. 23, 2020**

(54) **CHAIR**

- (71) Applicant: **Enfant Terrible Design AB**, Norrtälje (SE)
- (72) Inventor: **Lisa Furuland**, Norrtälje (SE)
- (73) Assignee: **ENFANT TERRIBLE DESIGN AB**, Norrtälje (SE)
- (**) Term: **15 Years**
- (21) Appl. No.: **29/653,881**

- (22) Filed: **Jun. 19, 2018**
- (51) **LOC (12) Cl.** **06-01**
- (52) **U.S. Cl.**
USPC **D6/348**

- (58) **Field of Classification Search**
USPC D6/347, 348, 361, 716, 718, 344, 373, D6/375, 379, 380, 330, 334, 335, 366, D6/369, 372, 385, 708.16; D12/52; D21/412, 688; D24/183, 200
CPC A45F 3/22; A45F 3/24; A45F 3/26; A47D 13/10; A47D 13/105; A47D 9/02; A47C 1/14; A47C 3/0255; A47C 3/029; A47C 3/027; A47C 3/02; A47C 3/04; A47C 3/34; A47C 4/02; A47C 4/03; A47C 4/04; A47C 5/12; A47C 7/52; A47C 7/506; A47C 9/007; A47C 15/008; A47C 17/84; A47C 31/00; A63G 9/00; A63G 9/02; Y10S 135/909; Y10T 403/32409
See application file for complete search history.

(56) **References Cited**

U.S. PATENT DOCUMENTS

- 1,983,206 A * 12/1934 Witzel A47C 3/029
297/270.1
- 1,983,207 A * 12/1934 Witzel A47C 3/029
297/270.3
- D102,046 S 11/1936 Wexelblatt
(Continued)

OTHER PUBLICATIONS

55 Downing Street Fara Coffee Table, amazon.com, reviewed Mar. 31, 2017, site visited Dec. 31, 2018, available online at <https://www.amazon.com/55-Downing-Street-Antigue-Coffee/dp/B01NOCCMNY> (Year: 2017).

(Continued)

Primary Examiner — Kevin K Rudzinski

Assistant Examiner — Paul D Bohannon

(74) *Attorney, Agent, or Firm* — Ward and Smith, P.A.; Ryan K. Simmons

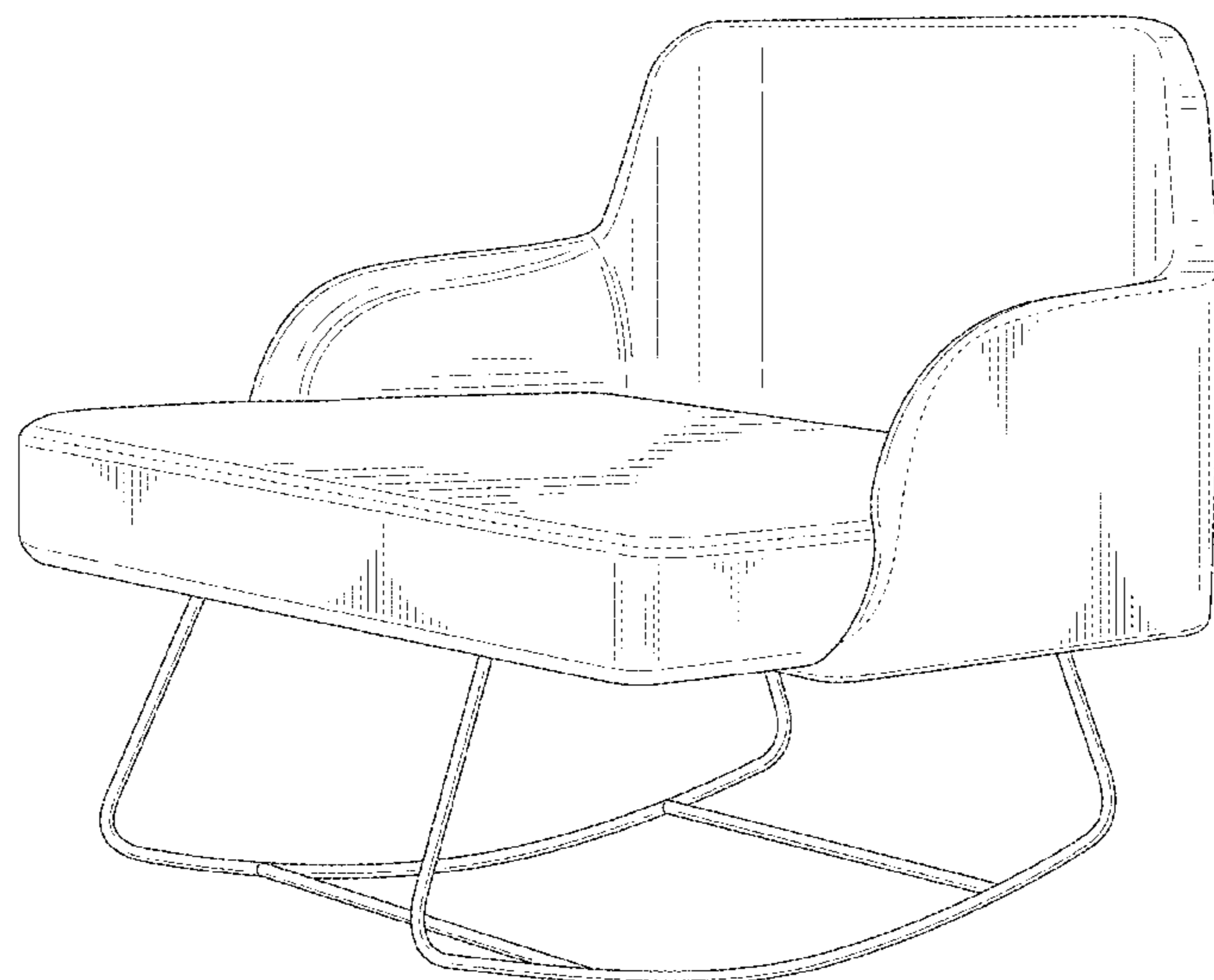
(57) **CLAIM**

The ornamental design for a chair, as shown and described.

DESCRIPTION

FIG. 1 is a perspective view of a chair showing a new design;
 FIG. 2 is a left side elevation view thereof;
 FIG. 3 is a right side elevation view thereof;
 FIG. 4 is a front elevation view thereof;
 FIG. 5 is a rear elevation view thereof;
 FIG. 6 is a top plan view thereof;
 FIG. 7 is a bottom plan view thereof;
 FIG. 8 is another perspective view of the chair of FIG. 1 showing a pillow thereon for environmental purposes;
 FIG. 9 is another perspective view of the chair of FIG. 1 showing an alternate configuration;
 FIG. 10 is a left side elevation view thereof;
 FIG. 11 is a right side elevation view thereof;
 FIG. 12 is a front elevation view thereof;
 FIG. 13 is a rear elevation view thereof;
 FIG. 14 is a top plan view thereof; and,
 FIG. 15 is a bottom plan view thereof.
 The dashed lines are included for the purpose of illustrating portions of the chair that form no part of the claimed design.

1 Claim, 15 Drawing Sheets



(56)

References Cited

U.S. PATENT DOCUMENTS

D138,819 S 9/1944 Larson
 D151,675 S 11/1948 Bird
 D162,045 S 2/1951 Lee
 2,569,555 A 10/1951 Chanslor
 D170,088 S 7/1953 Hoffman
 2,672,627 A 3/1954 Adolfina
 2,688,997 A 9/1954 Blanch
 3,004,793 A 10/1961 Loomis
 D196,371 S 9/1963 Lieberman
 D197,967 S 4/1964 Waitzman
 3,235,891 A 2/1966 Yamil
 D205,978 S 10/1966 Zavodny
 3,408,106 A * 10/1968 Bolling A47C 5/12
 297/452.14
 3,513,489 A 5/1970 Martin
 3,833,947 A 9/1974 Sorensen
 3,890,660 A 6/1975 Pedler
 D239,898 S 5/1976 Kirshenbaum
 4,081,869 A 4/1978 Ash
 D250,860 S 1/1979 Castro
 D278,959 S 5/1985 Berry, Jr.
 D287,669 S 1/1987 Opsvik
 D299,195 S 1/1989 Frinier
 D309,993 S 8/1990 Miklos
 D321,297 S 11/1991 Winzeler, III
 D321,298 S 11/1991 Winzeler, III
 D351,756 S 10/1994 Miller
 D383,913 S 9/1997 Ahlstrom
 D387,210 S 12/1997 Hutton
 5,699,569 A 12/1997 Schwarz-Zohrer
 D389,676 S 1/1998 Diaz-Azcuy
 D416,143 S 11/1999 Ragan
 D426,713 S 6/2000 Peterson
 D428,269 S 7/2000 Peterson
 D431,724 S 10/2000 Peterson
 D435,355 S 12/2000 Peterson
 D449,469 S 10/2001 O'Hare
 D478,748 S 8/2003 Liu
 D508,618 S * 8/2005 Mourgue D6/334
 D514,834 S 2/2006 O'Hare
 D517,835 S 3/2006 O'Hare
 7,213,277 B1 5/2007 Hsieh
 D546,588 S 7/2007 Massaud
 D549,971 S * 9/2007 Jourdan D6/344
 D552,383 S 10/2007 Glebe
 D555,918 S 11/2007 Massaud
 D579,224 S * 10/2008 Fancelli D6/372
 D590,153 S 4/2009 Sapp
 D614,420 S 4/2010 Wu
 D617,112 S 6/2010 Tsai
 D624,762 S 10/2010 Podsiadlo
 D640,839 S 6/2011 Zine
 D652,339 S 1/2012 Zander
 D654,732 S * 2/2012 Kubryk D6/366
 D658,911 S 5/2012 Jeanty
 D669,699 S * 10/2012 Stierli D6/373
 D670,512 S 11/2012 Li
 D687,235 S 8/2013 Sage
 D689,703 S 9/2013 Oren
 D699,462 S * 2/2014 Meshorer D6/369
 D702,468 S 4/2014 Pedersen
 D716,596 S 11/2014 Pedersen
 D723,747 S 3/2015 Diskin
 D725,922 S 4/2015 Banda
 D726,466 S 4/2015 Lin
 D758,753 S 6/2016 Lagier
 D762,407 S * 8/2016 Kubryk D6/716
 D764,187 S 8/2016 Herrmann
 D770,213 S 11/2016 Bellows

D771,515 S 11/2016 Barden
 D771,963 S 11/2016 Patel
 9,585,493 B2 3/2017 Haut
 D826,592 S 8/2018 Kapanzhi
 D828,707 S * 9/2018 Kubryk D6/716
 D833,786 S 11/2018 Everson
 D848,193 S * 5/2019 Furuland D6/718
 D859,867 S * 9/2019 Young D6/366
 D873,039 S * 1/2020 Danet D6/348
 D875,415 S * 2/2020 Knox D6/375
 2014/0075670 A1 3/2014 Crumrine
 2016/0066708 A1 3/2016 Sclare

OTHER PUBLICATIONS

Innerspace Luxury Products Barrel Table, amazon.com, reviewed Dec. 21, 2017, site visited Dec. 31, 2018, available online at <https://www.amazon.com/InnerSpace-Luxury-Products-Barrel-Circles/dp/B00C6730BG>(Year: 2017).
 DIY Reclaimed Wood Coffee Table, csrlalumni.org, site visited Dec. 31, 2018, available online at <http://csrlalumni.org/reclaimed-wood-coffee-table-diy-gallery/29887/nice-reclaimed-wood-coffee-table-diy-interior-property-in-reclaimed-wood-coffee-ta> . . . (Year: 2018).
 Wine crate natural wood coffee table, quelfilm.info, May 10, 2018, site visited Dec. 31, 2018, available online at <http://quelfilm.info/natural-wood-round-coffee-table/> (Year: 2018).
 Tremont Round Coffee Table, Pier1.com, reviewed Nov. 29, 2017, site visited Dec. 31, 2018, available online at <https://www.pier1.com/tremont-round-coffee-table/2779639.html?cjevent=ec0fd4e10d3d11e98163078e0a240614&scid=aff0000002%7C1909792&u> . . . (Year: 2017).
 Ella Coffee Table, Summer Classics, internet archive date of Mar. 7, 2016, site visited Dec. 20, 2018, available online at <https://summerclassics.com/products/ella-coffee-table-2/> (Year: 2016).
 Waylen Oval Upholstered Coffee Table, Furniture of America, Houzz.com, site visited Dec. 20, 2018, available online at https://www.houzz.com/product/120493168-furniture-of-america-waylen-oval-upholstered-coffee-table-beige-transitional-coffee-tables/?m_refid=PLA . . . (Year: 2018).
 Miller Oval Button Tufted Ottoman, Furniture of America, People.com, site visited Dec. 20, 2018, available online at <https://people.com/shop/furniture-of-america-furniture-of-america-miller-beige-oval-button-tufted-ottoman-bf6dc6d1d9f17e6661a329b72275f5792.htm> l(Year: 2018).
 Velvet Grey Tufted Ottoman Coffee Table, blockislandtransportation.com, site visited Dec. 31, 2018, available online at <http://blockislandtransportation.com/...-decor-large-with-storage-gray-ottoman-furniture-round-cloth-small-black-leather-hassock-modern/> (Year: 2018).
 Mark Sikes Canon Storage Ottoman, One Kings Lane, site visited Dec. 31, 2018, available online at https://www.onekingslane.com/p/4755482-canon-storage-ottoman-blue-floral-linen.do?utm_medium=Affiliates&utm_source=CJ&utm_term=12940326 . . . (Year: 2018).
 Naula Tufted Storage Ottoman, architonic.com, site visited Dec. 31, 2018, available online at <https://www.architonic.com/en/product/naula-tufted-storage-ottoman/1263705> (Year 2018).
 Safavieh Storage Ottoman, homedepot.com, site visited Dec. 31, 2018, available online at <https://www.homedepot.com/p/Safavieh-Tanisha-Off-White-Storage-Ottoman-MCR1005B/205831451> (Year: 2018).
 Aguiar Dining Table, AllModern, customer review in 2016, site visited Dec. 20, 2018, available online at <https://www.allmodern.com/furniture/pdp/trent-austin-design-aguiar-5-piece-dining-set-trnt4203.html> (Year: 2016).

* cited by examiner

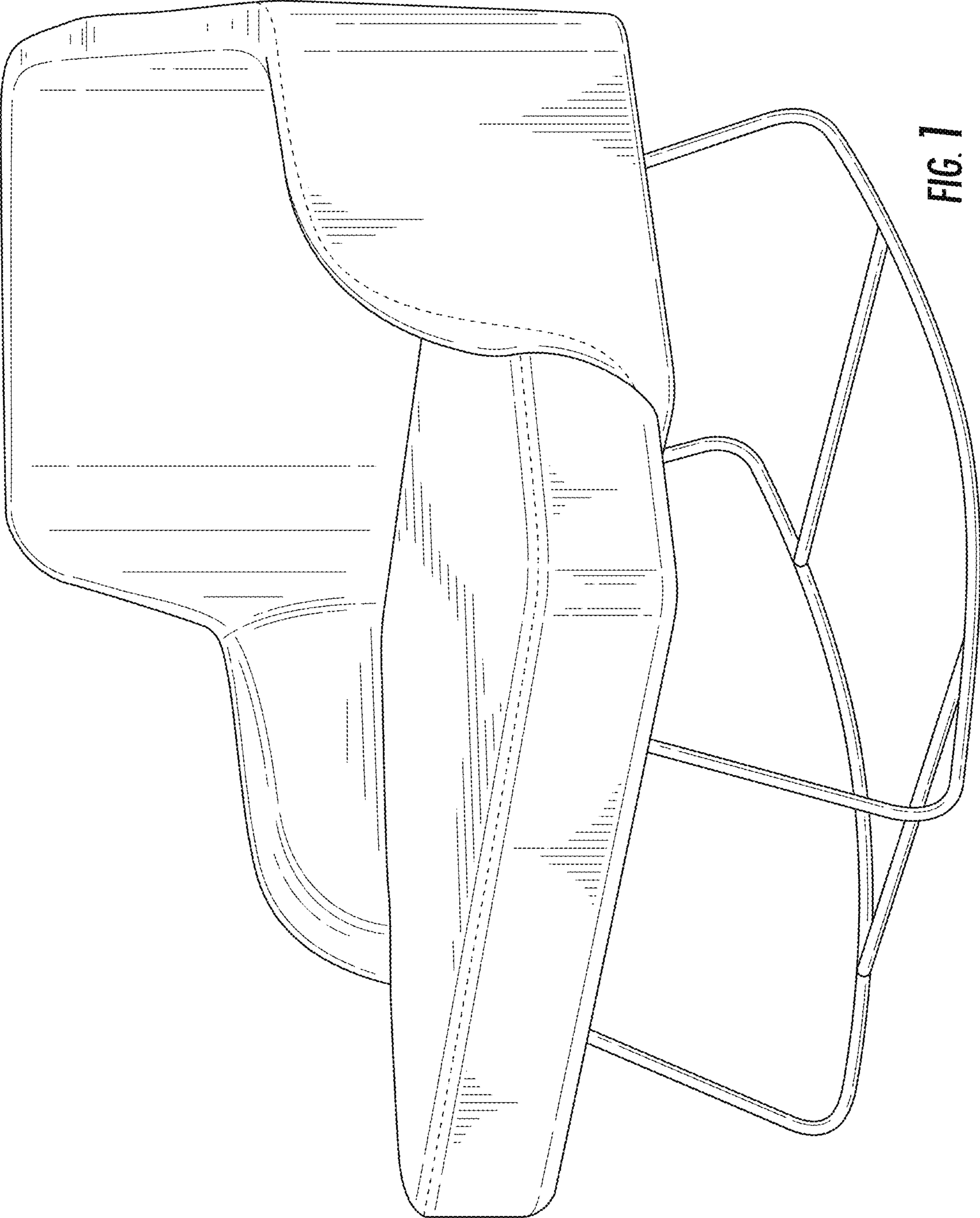


FIG. 1

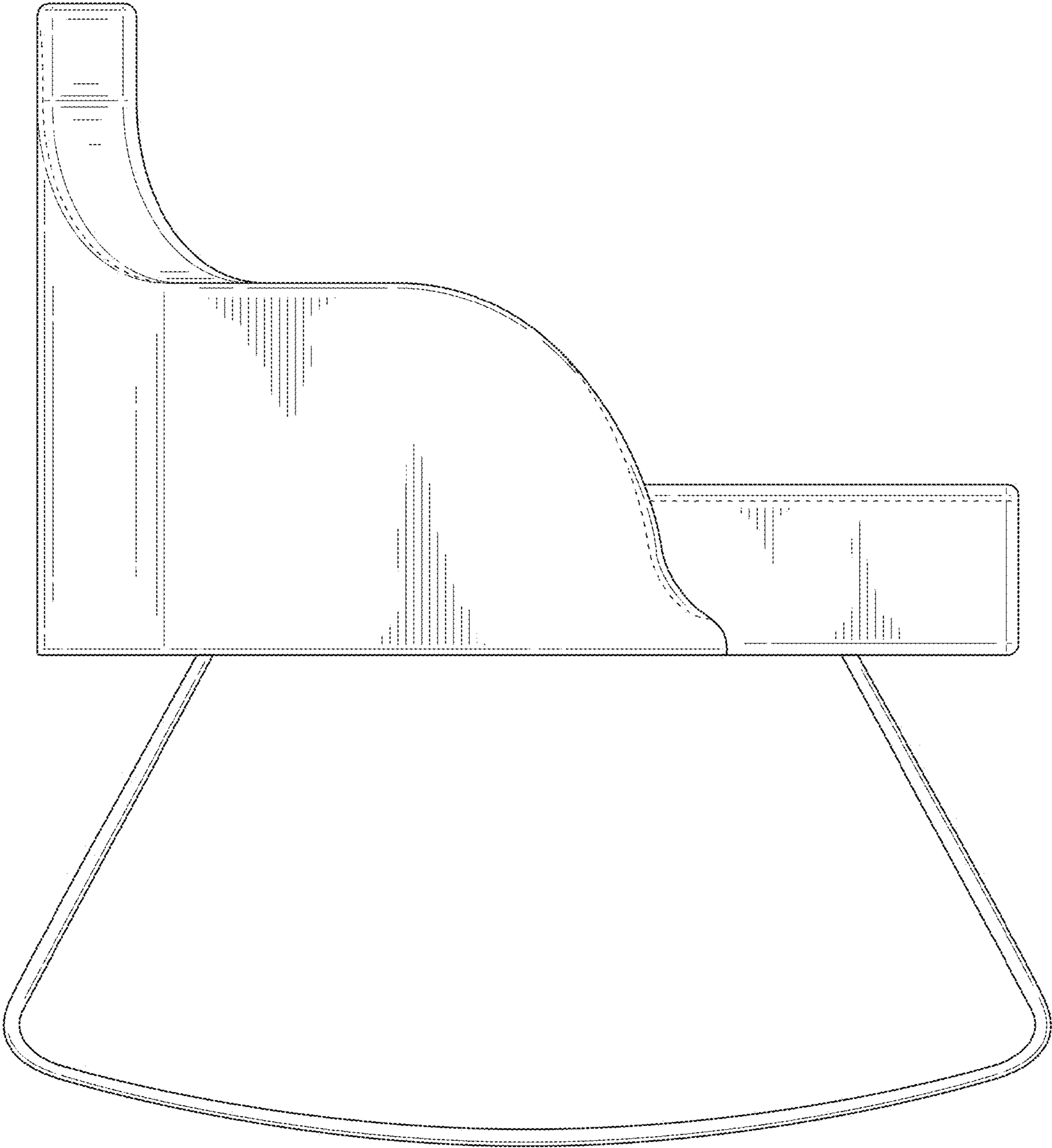


FIG. 2

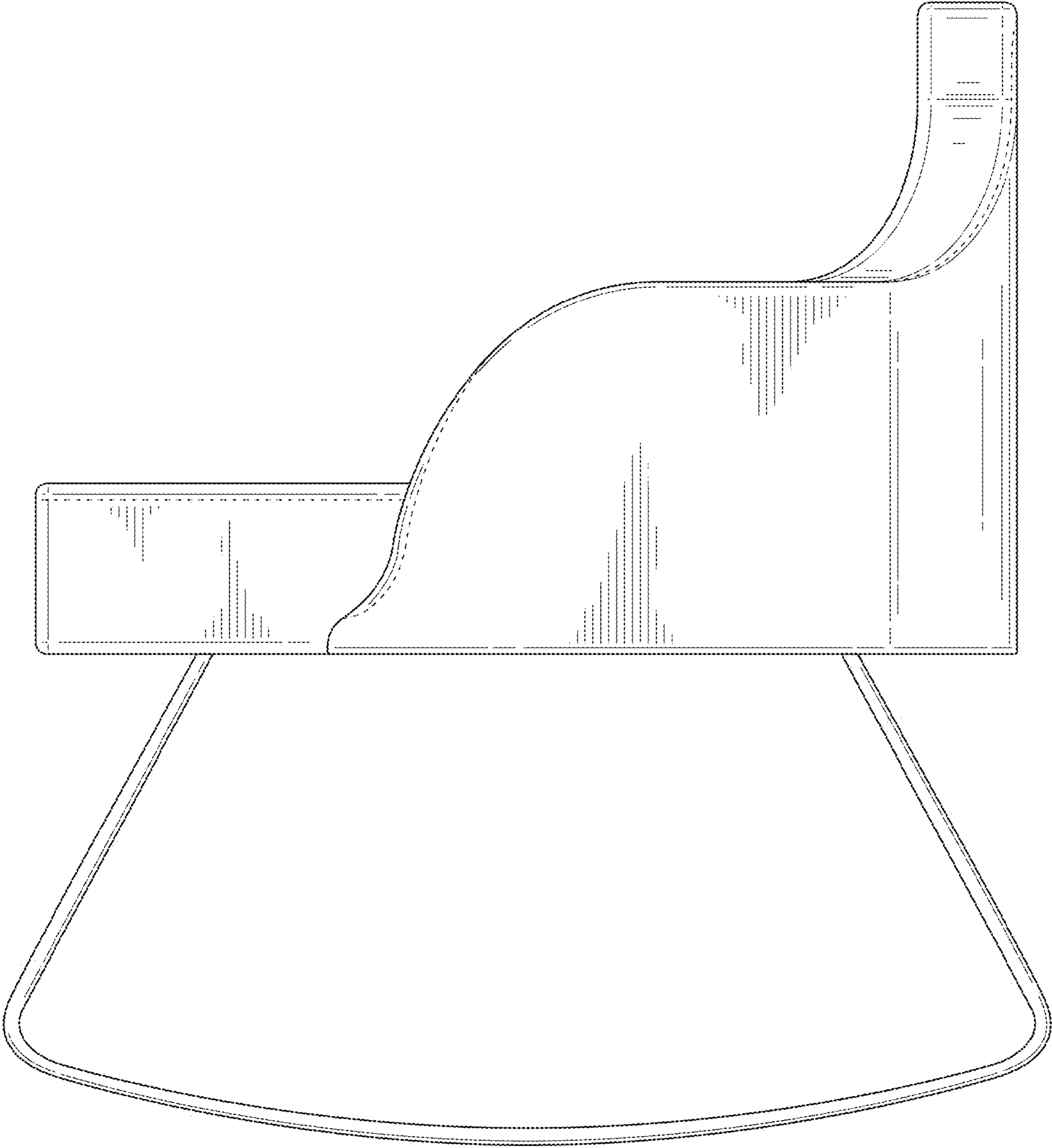


FIG. 3

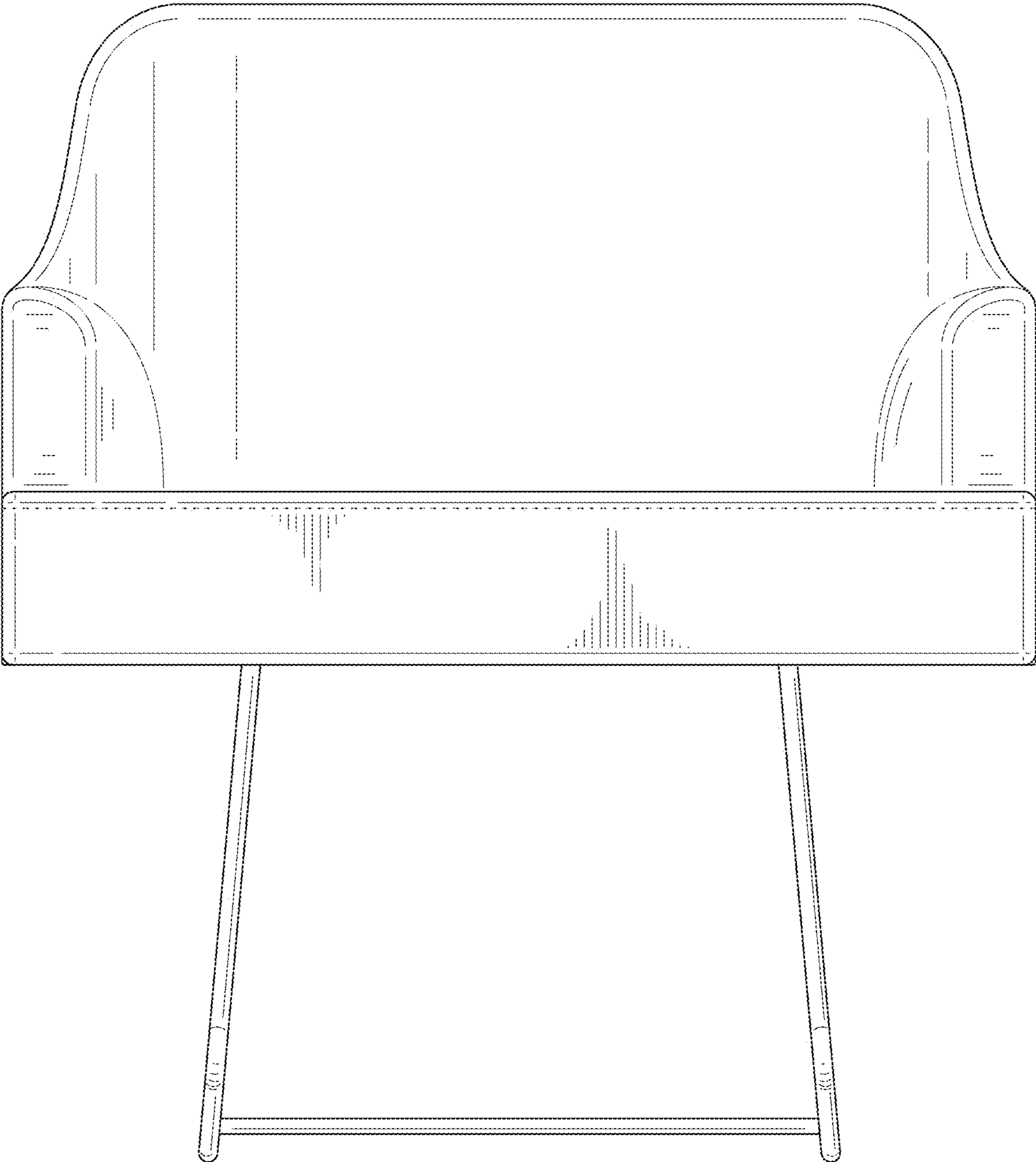


FIG. 4

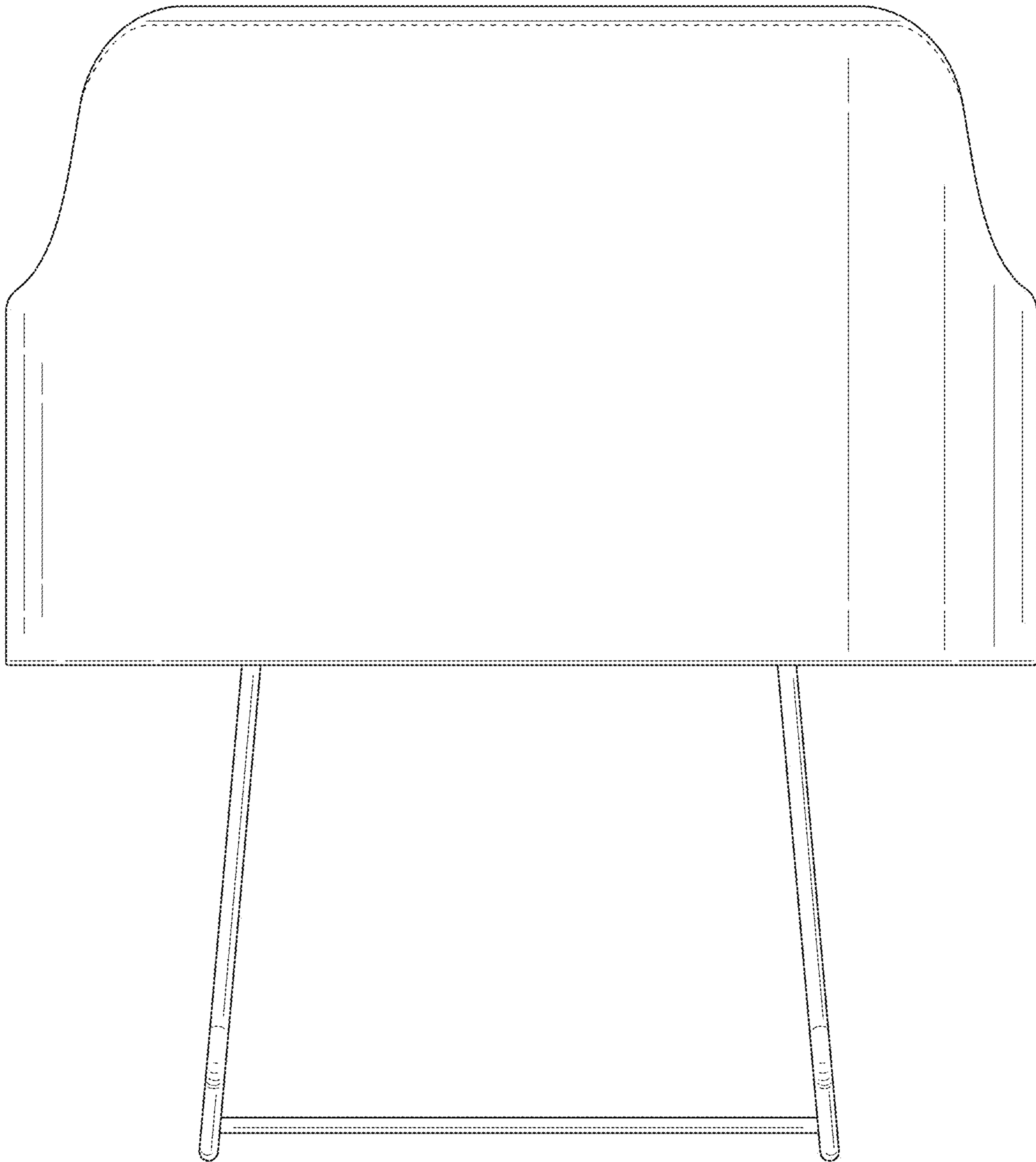


FIG. 5

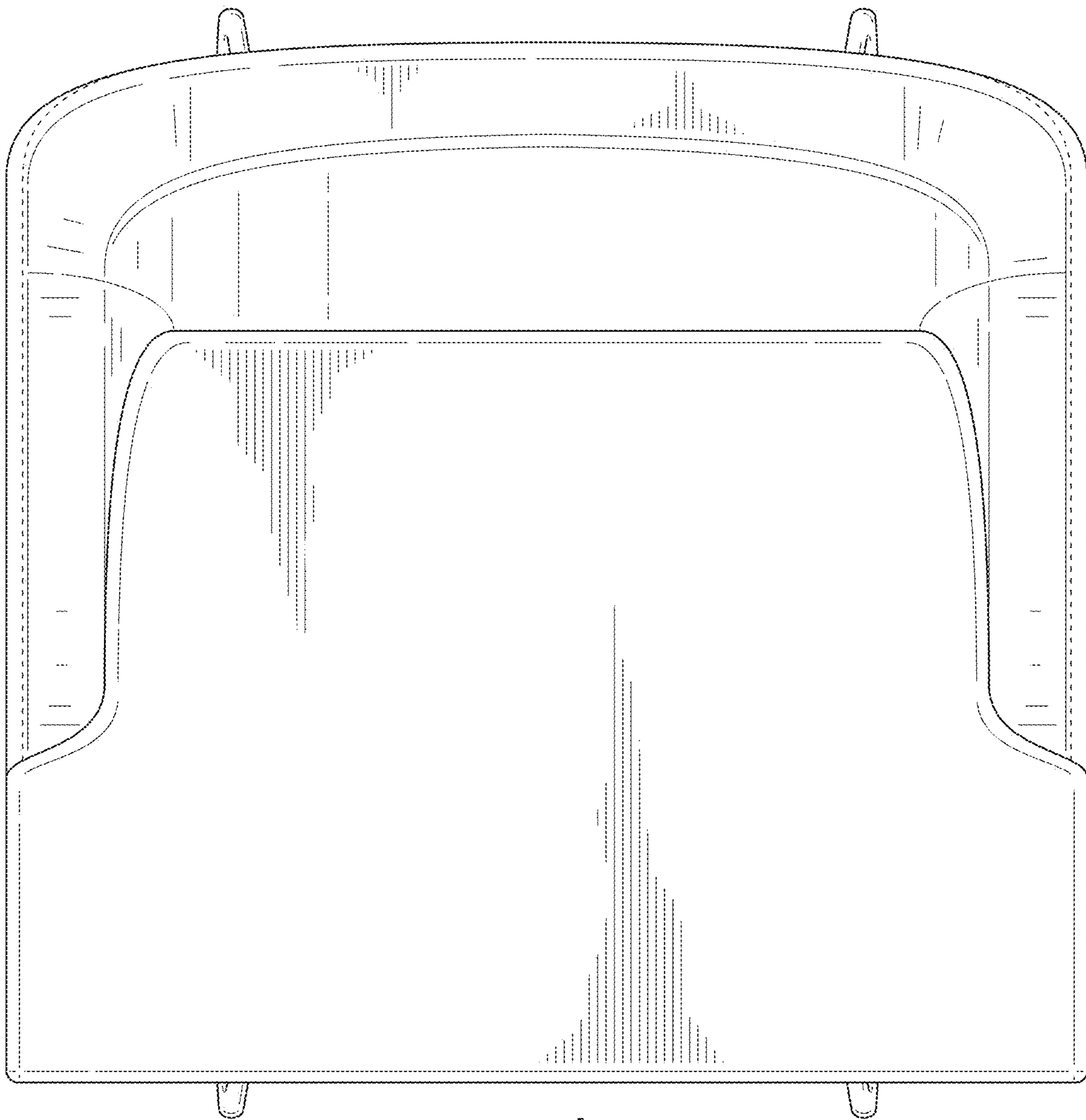


FIG. 6

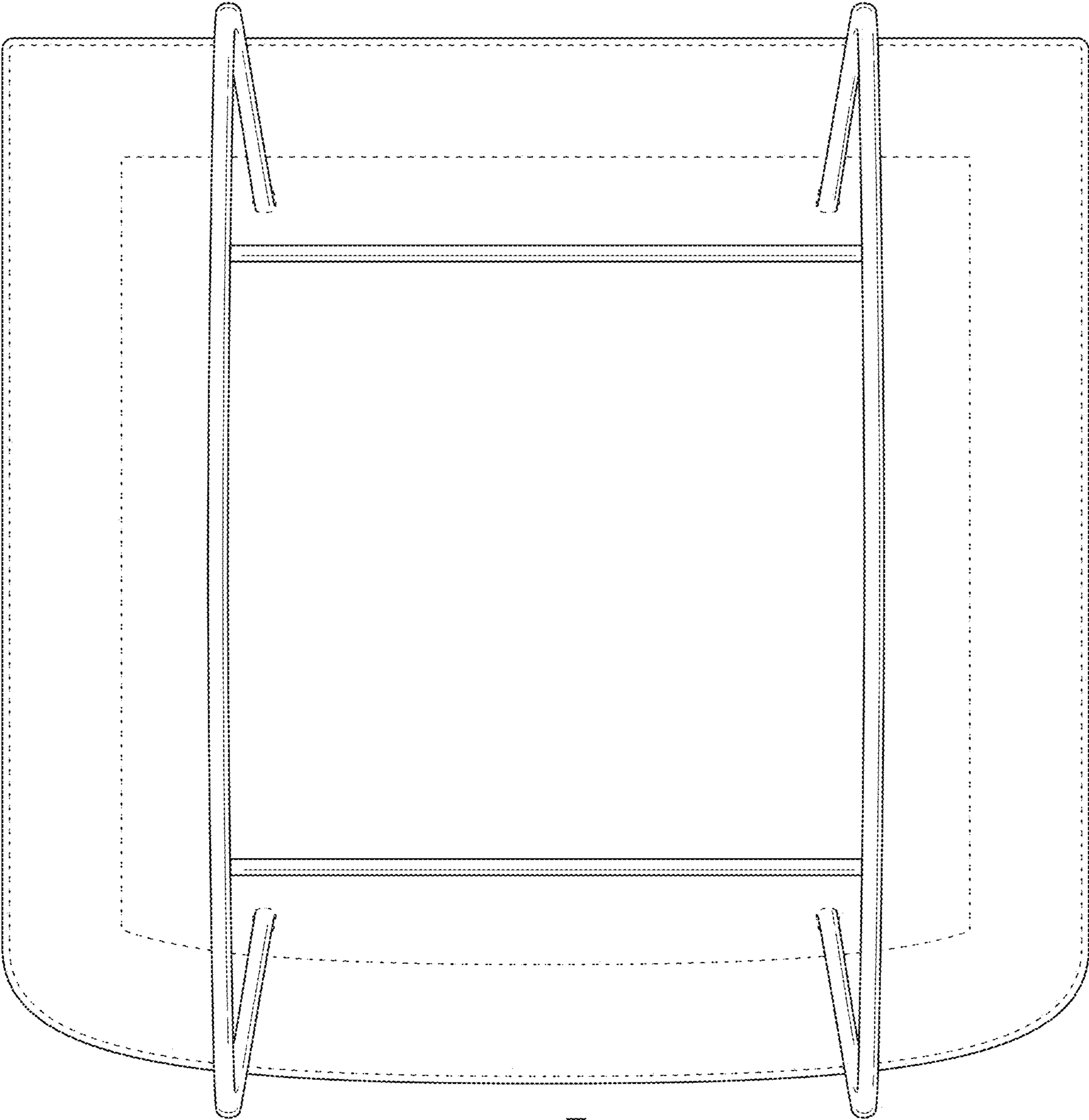


FIG. 7

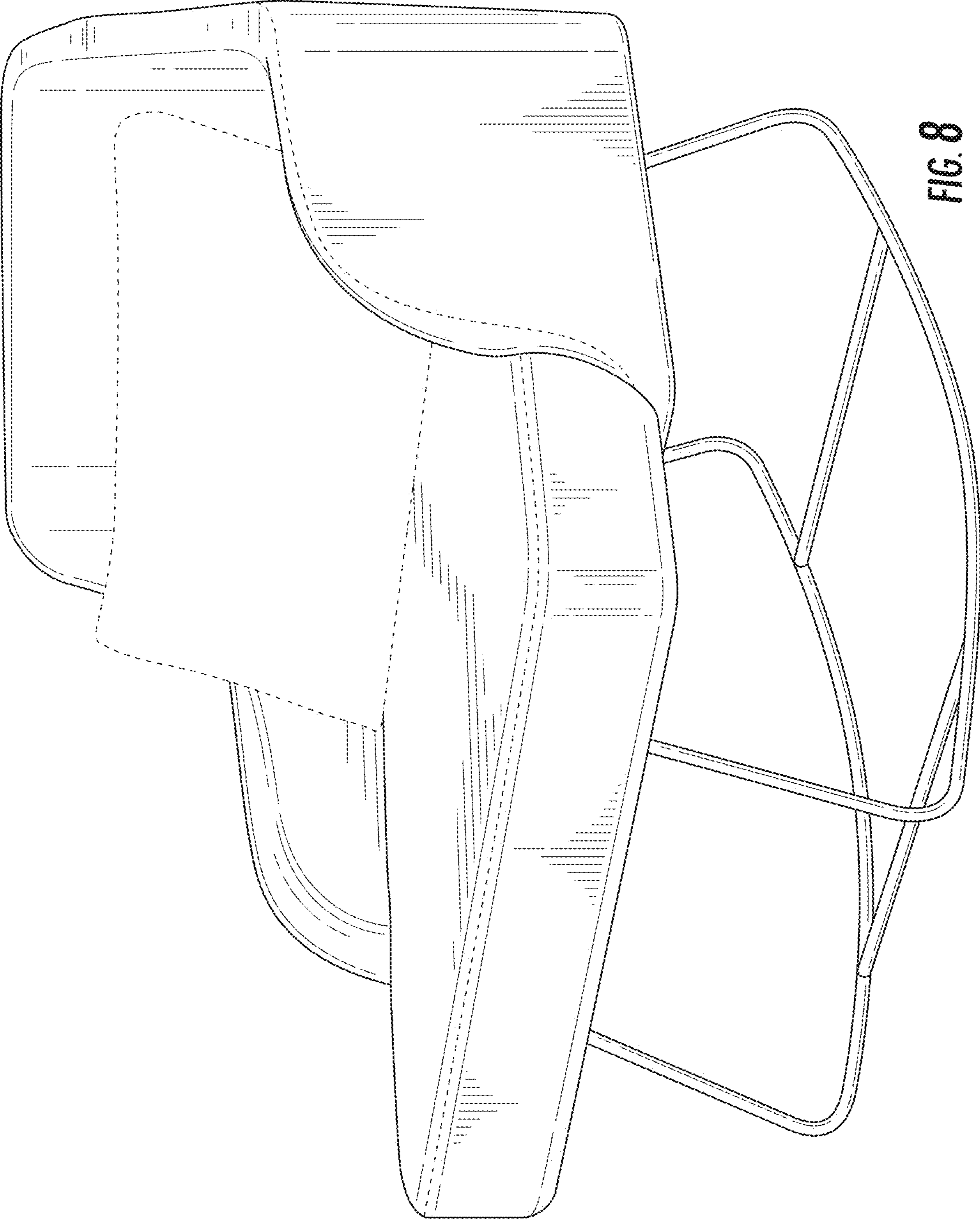


FIG. 8

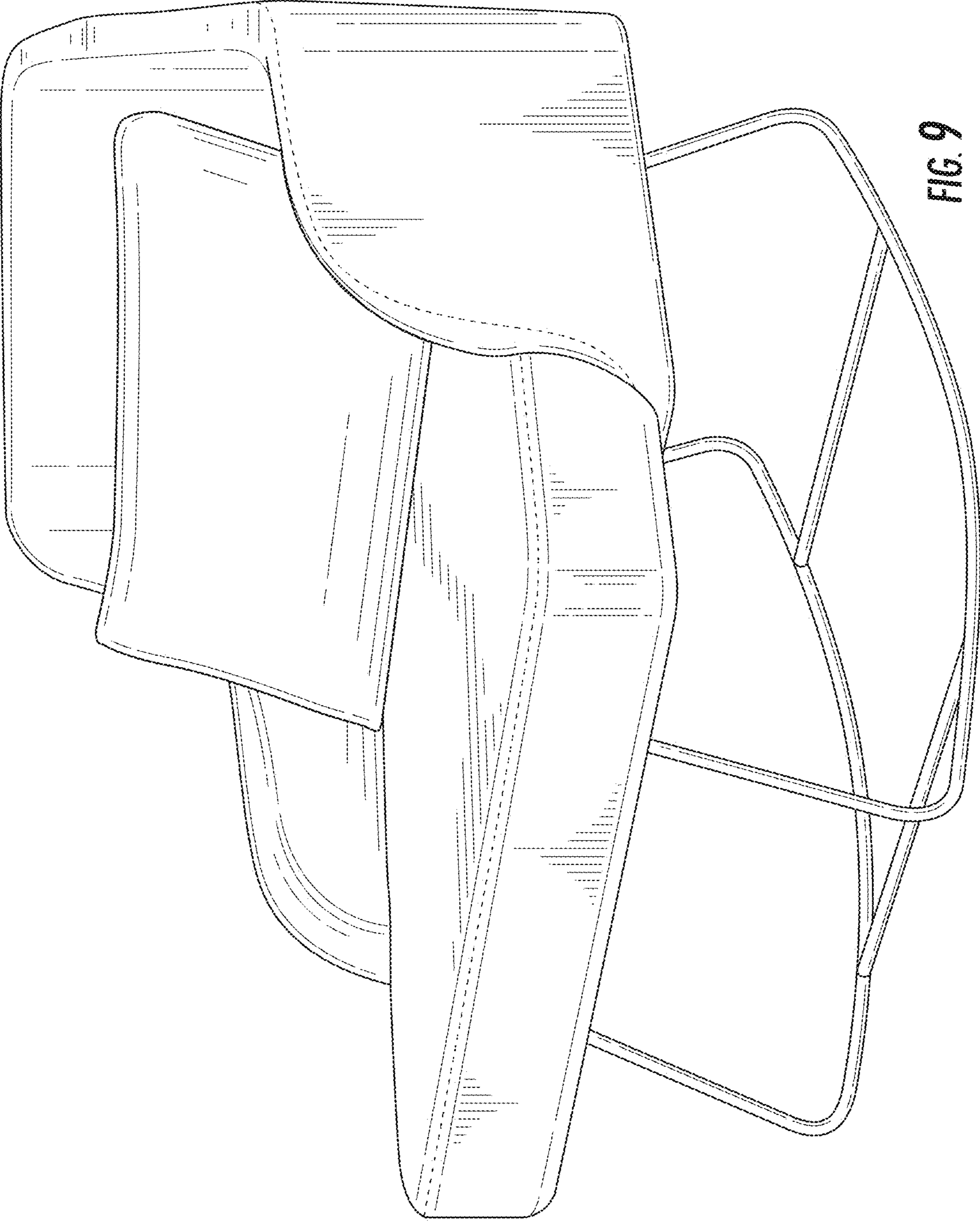


FIG. 9

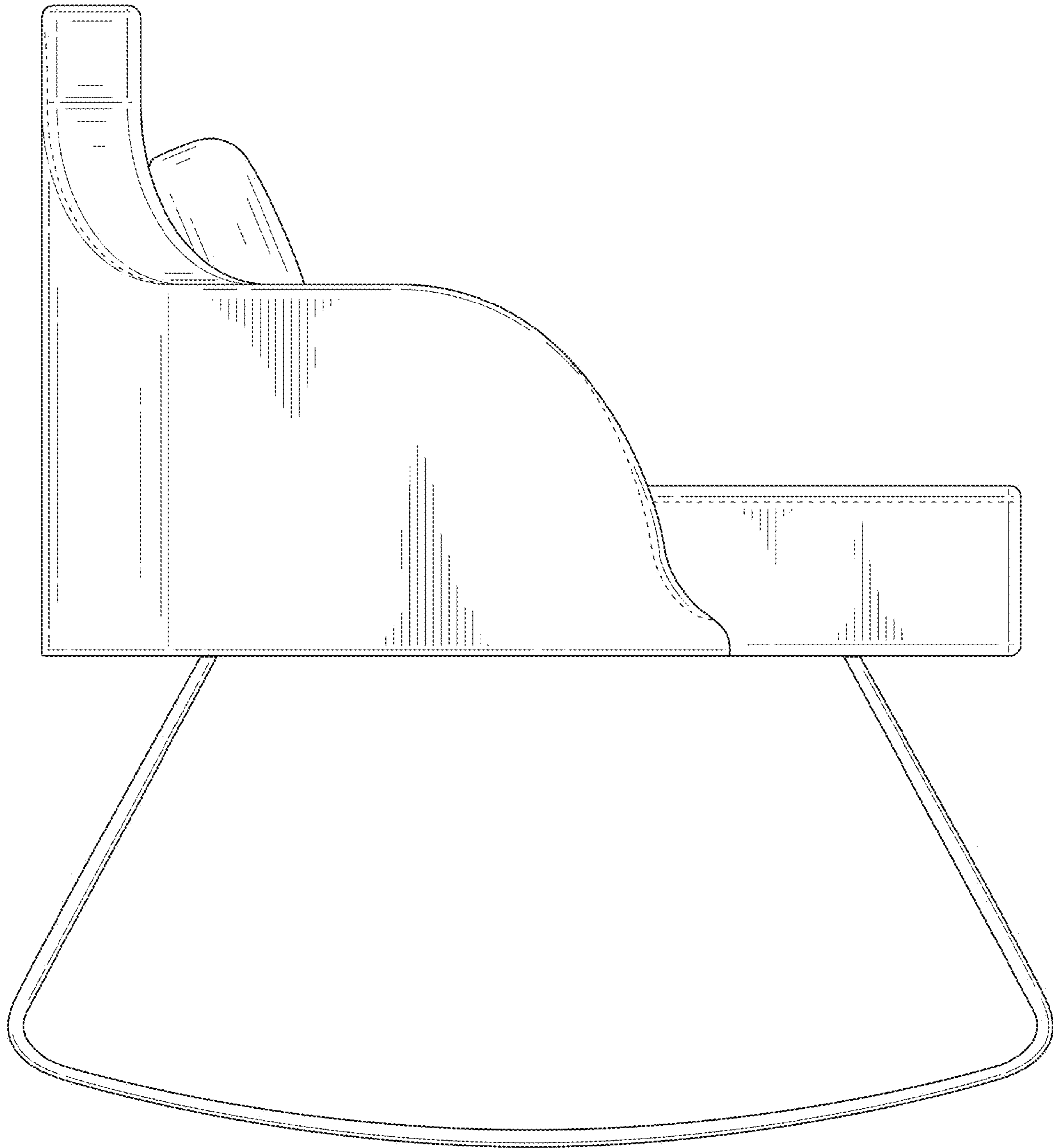


FIG. 10

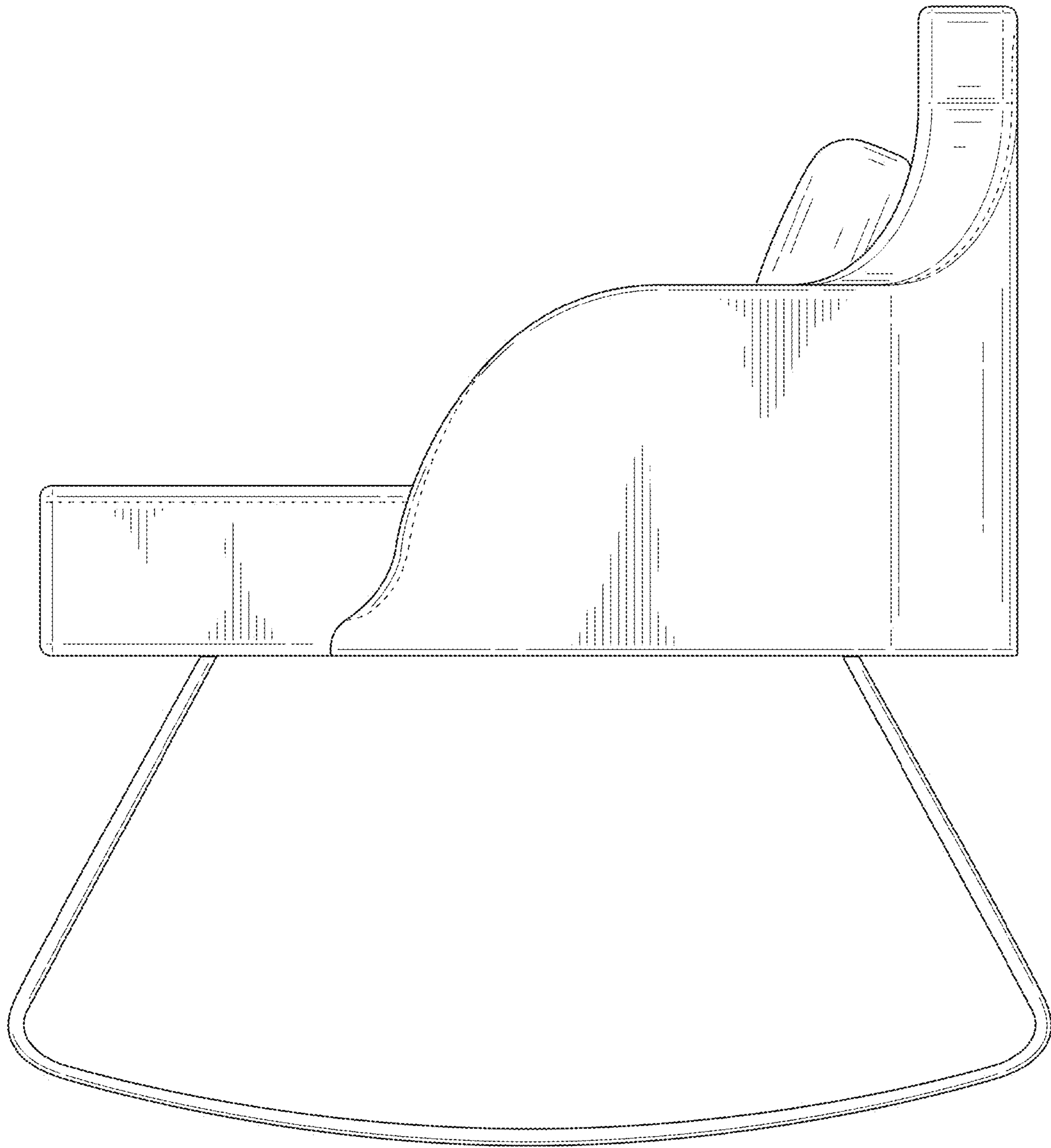


FIG. 11

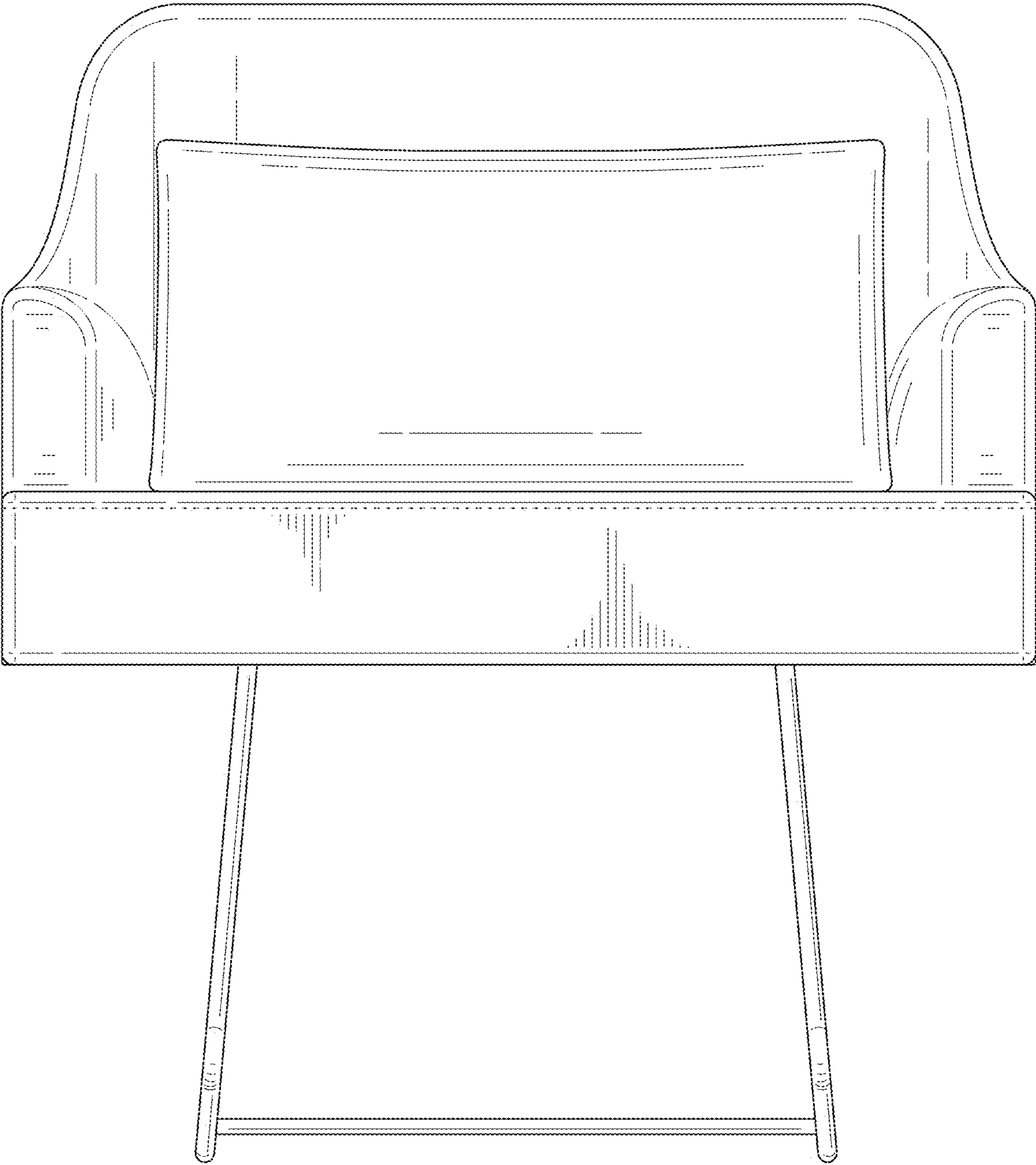


FIG. 12

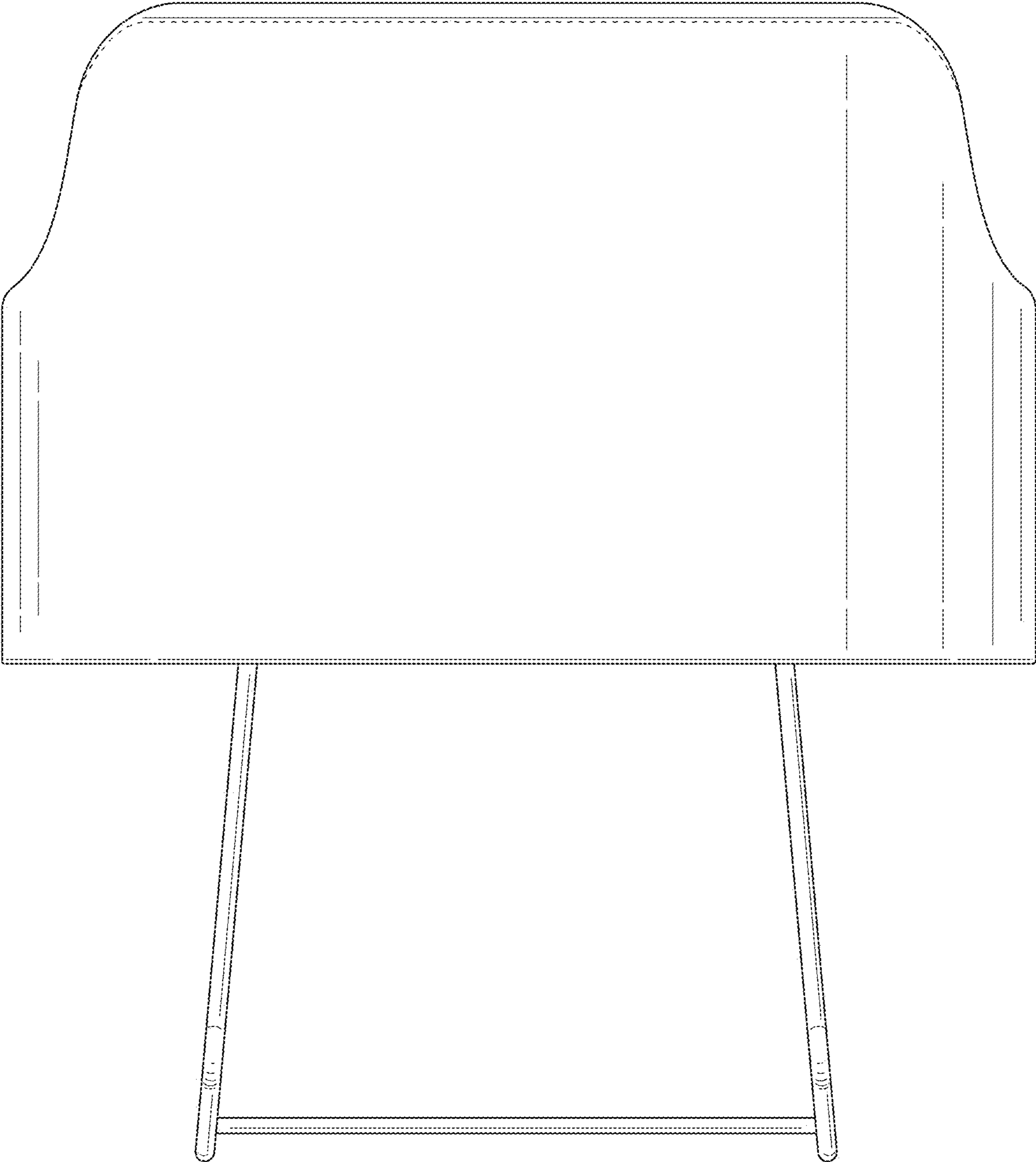


FIG. 13

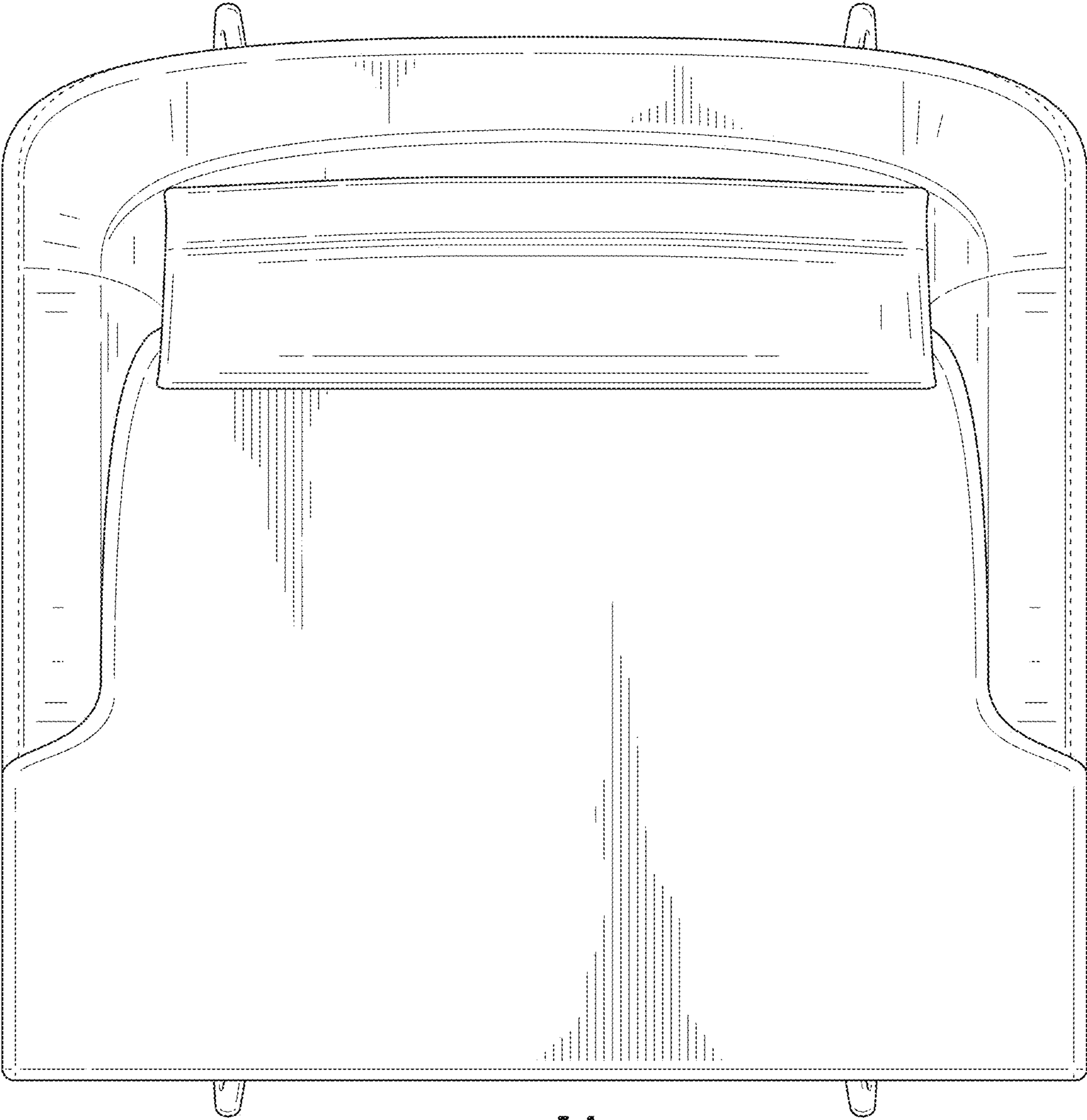


FIG. 14

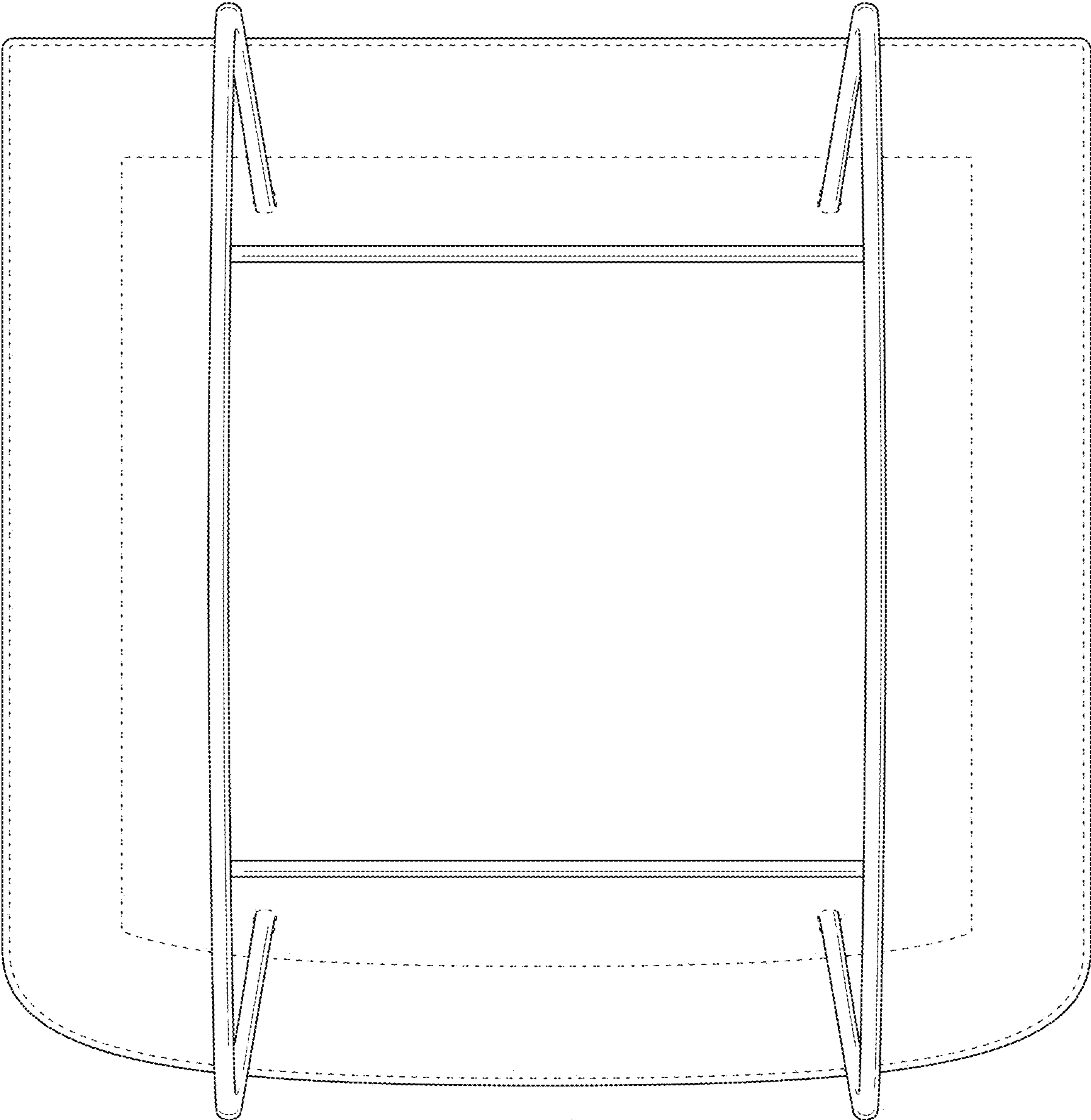


FIG. 15