



US00D887729S

(12) **United States Design Patent**
Klein

(10) **Patent No.:** **US D887,729 S**
(45) **Date of Patent:** **** Jun. 23, 2020**

- (54) **CHAIR**
- (71) Applicant: **Gerhart P. Klein**, Manchester, MA (US)
- (72) Inventor: **Gerhart P. Klein**, Manchester, MA (US)
- (**) Term: **15 Years**
- (21) Appl. No.: **29/649,757**
- (22) Filed: **Jun. 1, 2018**
- (51) **LOC (12) Cl.** **06-01**
- (52) **U.S. Cl.**
USPC **D6/348**
- (58) **Field of Classification Search**
USPC D6/347, 348, 361, 716, 718, 344, 373, D6/375, 379, 380; D12/52; D21/412
CPC A45F 3/22; A45F 3/24; A45F 3/26; A47D 13/10; A47D 13/105; A47C 1/14; A47C 3/0255; A47C 3/029; A47C 3/027; A47C 3/02; A47C 3/04; A47C 3/34; A47C 4/02; A47C 4/03; A47C 4/04; A47C 5/12; A47C 7/52; A47C 7/506; A47C 9/007; A47C 15/008; A47C 17/84; A47C 31/00; A63G 9/00; A63G 9/02; Y10S 135/909; Y10T 403/32409
See application file for complete search history.

D344,194 S *	2/1994	Gibbs	D6/373
D431,727 S *	10/2000	Bell	D6/373
D466,711 S *	12/2002	Lundstrom	D6/348
D556,465 S *	12/2007	Massaud	D6/348
D584,068 S *	1/2009	Figueras Mitjans	D6/375
D606,329 S *	12/2009	Van Duysen	D6/375
D627,173 S *	11/2010	Chang	D6/348
D666,838 S *	9/2012	Schoenhals	D6/348
D679,514 S *	4/2013	Paulin	D6/348
D814,821 S *	4/2018	Velez	D6/379
D871,099 S *	12/2019	Peace	D6/380

* cited by examiner

Primary Examiner — Kevin K Rudzinski
Assistant Examiner — Paul D Bohannon

- (56) **References Cited**
U.S. PATENT DOCUMENTS
D239,223 S * 3/1976 Smith D6/348
D246,811 S * 1/1978 Klein D6/375

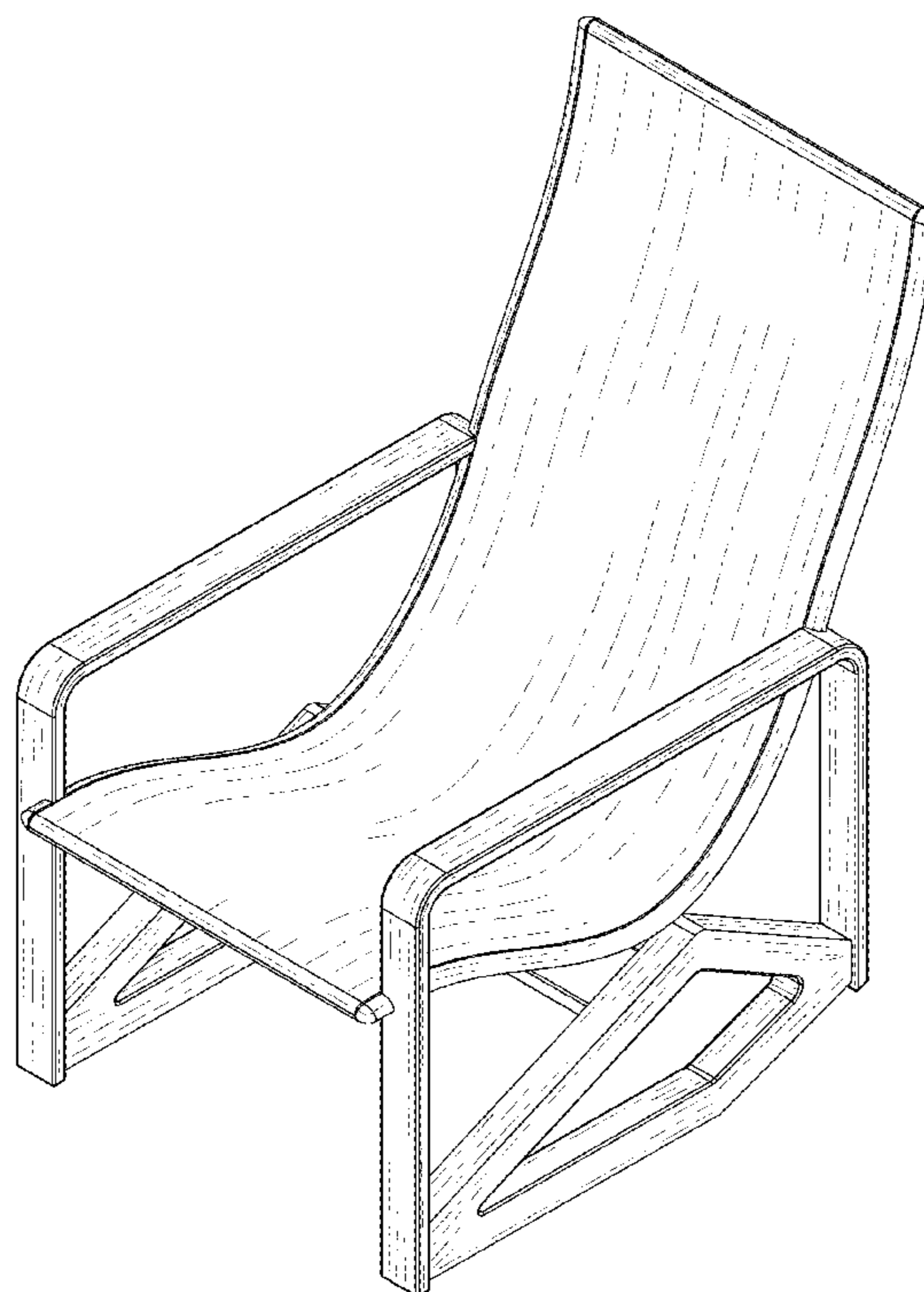
(57) **CLAIM**

The ornamental design for a chair, as shown and described.

DESCRIPTION

FIG. 1 is a perspective view of a chair showing my new design;
FIG. 2 is a front view thereof;
FIG. 3 is a rear view thereof;
FIG. 4 is a left view thereof;
FIG. 5 is a right view thereof;
FIG. 6 is a bottom view thereof; and,
FIG. 7 is a top view thereof.

1 Claim, 7 Drawing Sheets



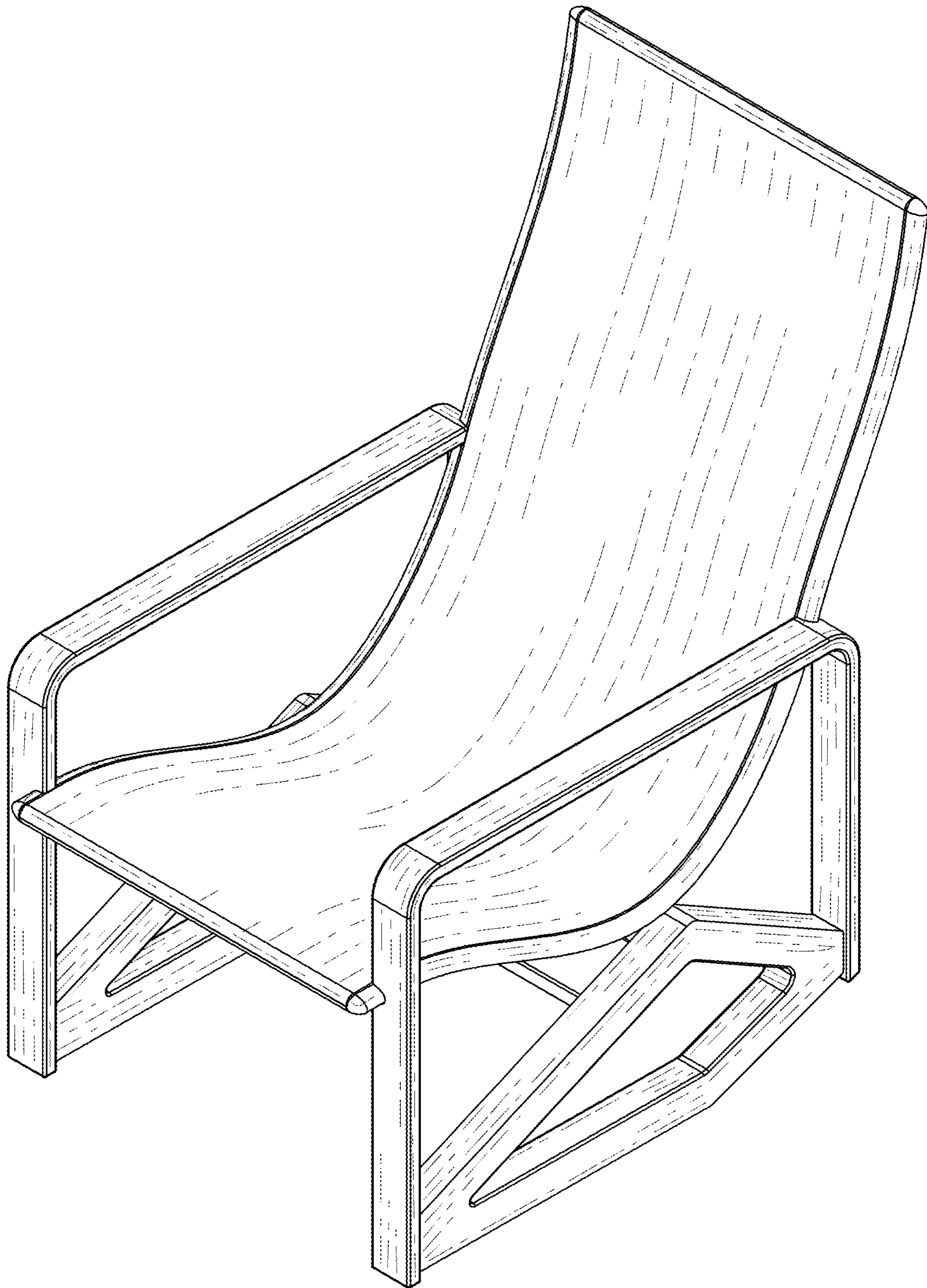


FIG. 1

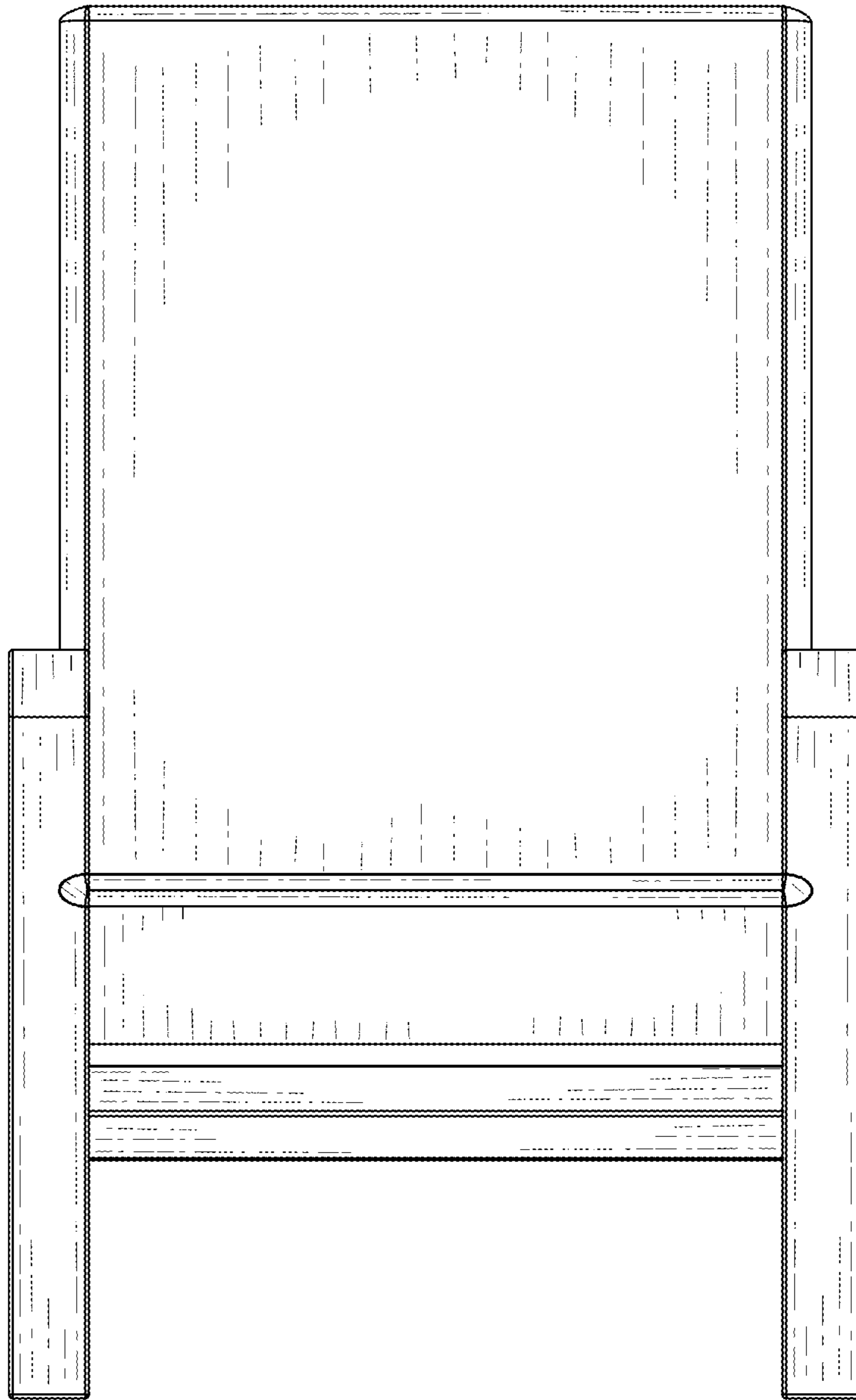


FIG. 2

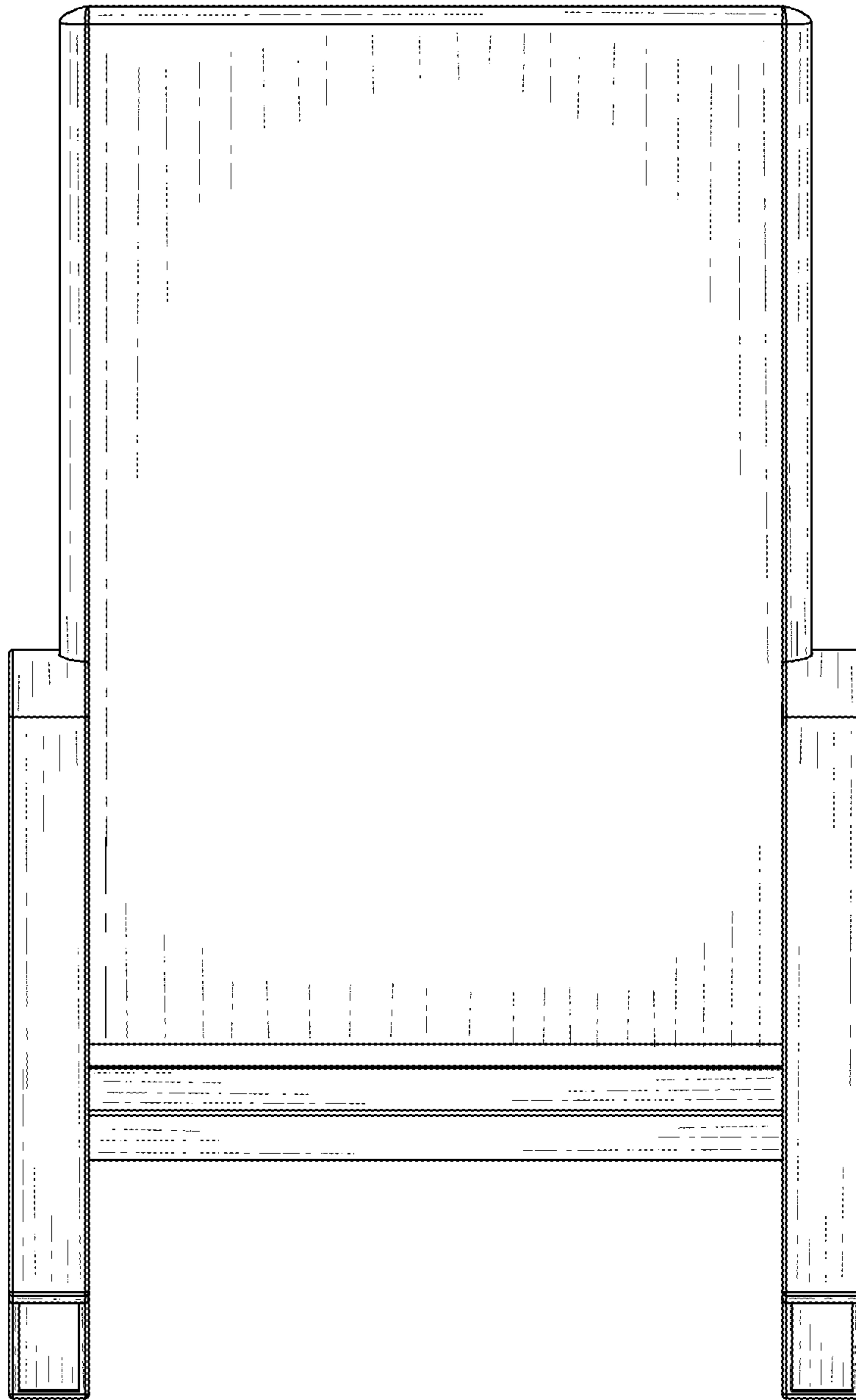


FIG. 3

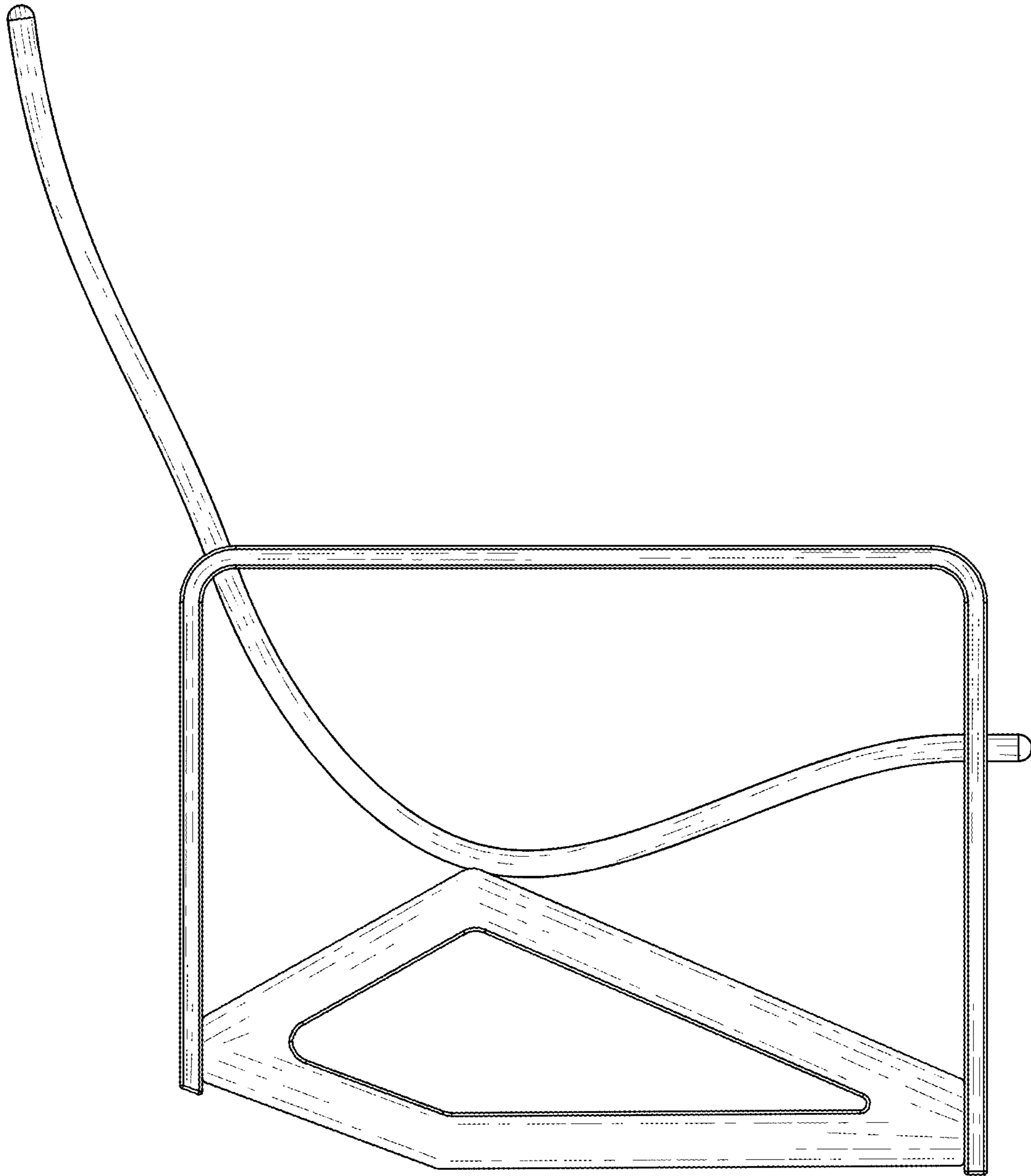


FIG. 4

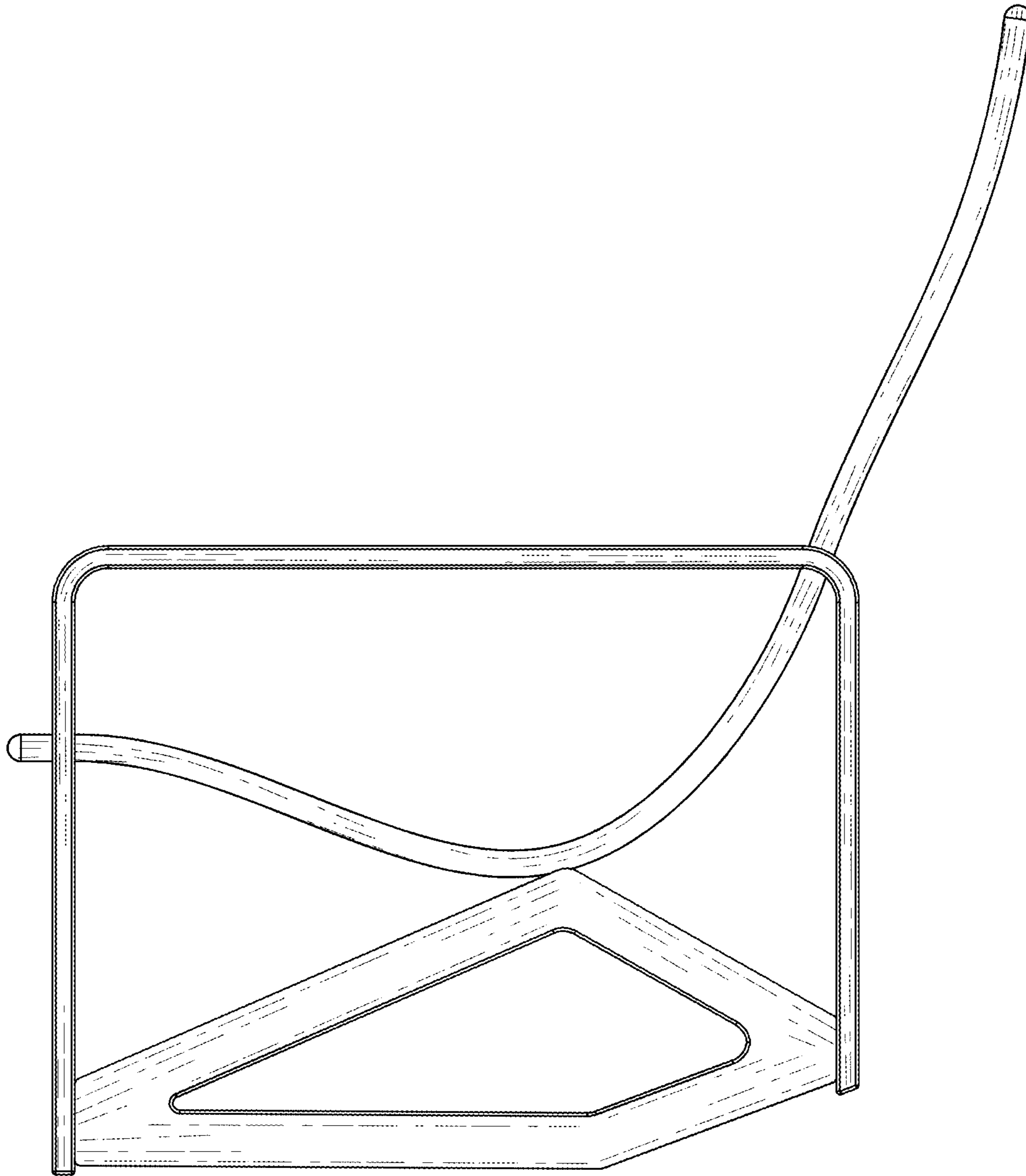


FIG. 5

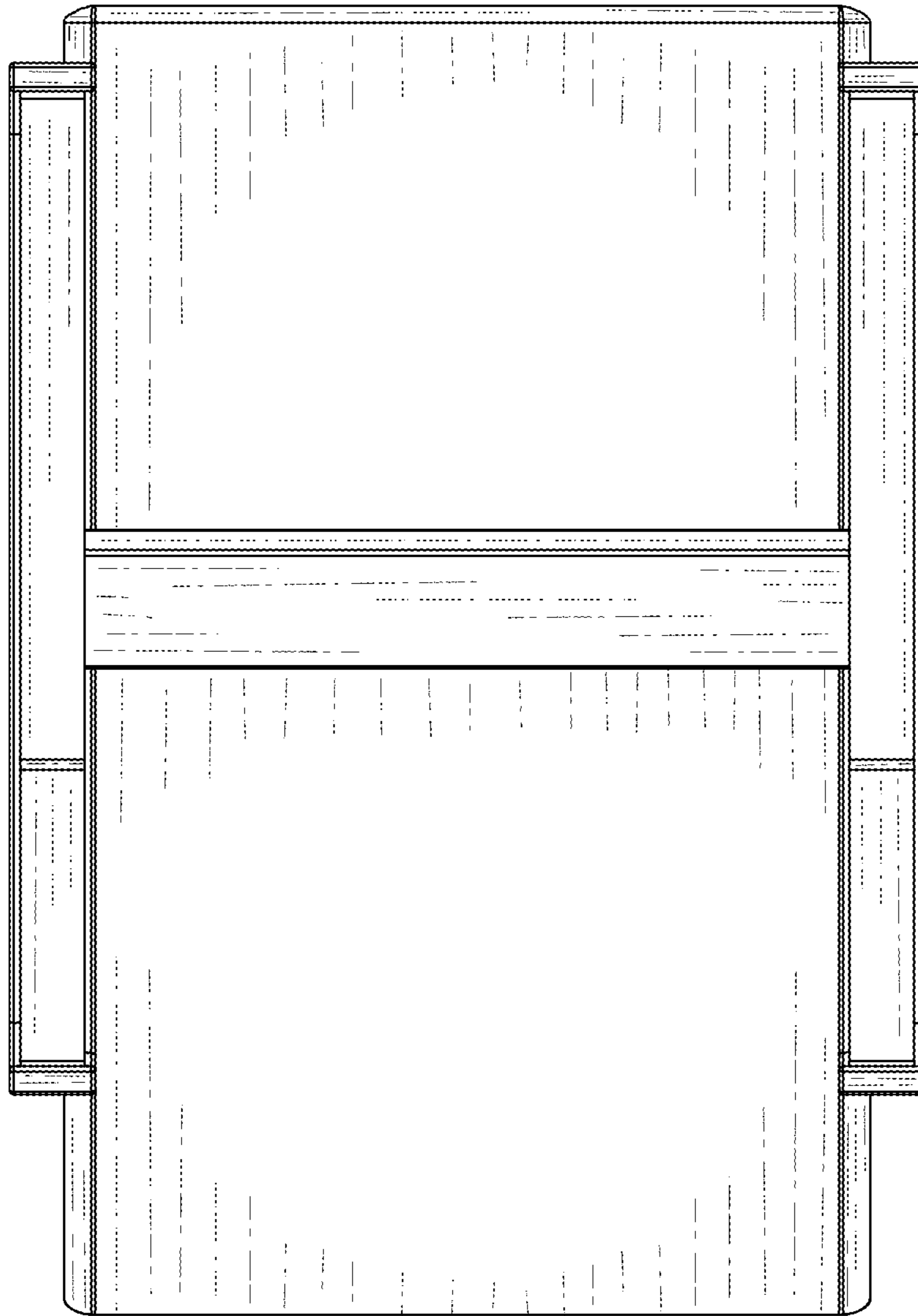


FIG. 6

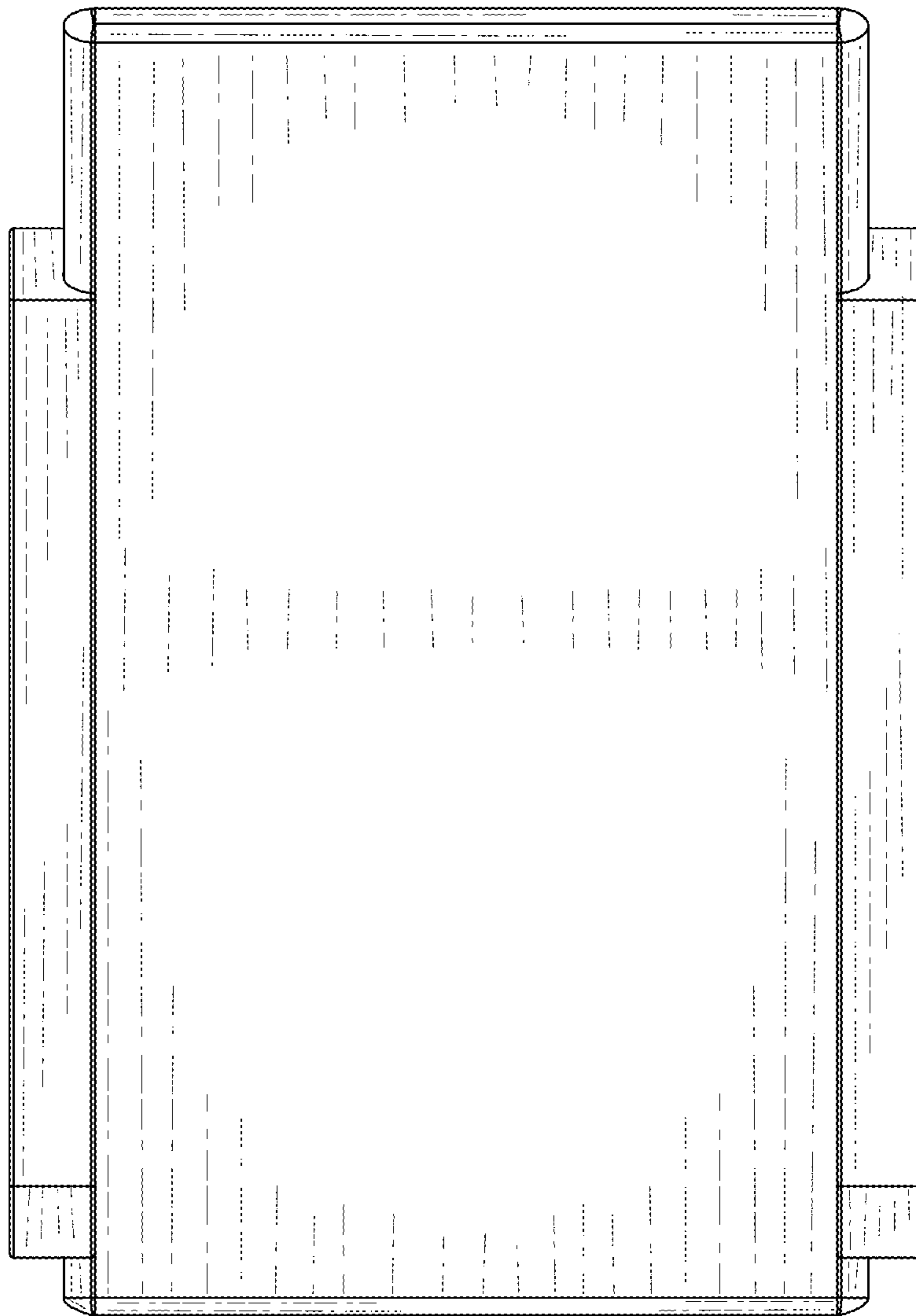


FIG. 7