



US00D887728S

(12) **United States Design Patent**  
**Urquiola**

(10) **Patent No.:** **US D887,728 S**

(45) **Date of Patent:** **\*\* Jun. 23, 2020**

- (54) **CHAIR**
- (71) Applicant: **Haworth, Inc.**, Holland, MI (US)
- (72) Inventor: **Patricia Urquiola**, Milan (IT)
- (73) Assignee: **Haworth, Inc.**, Holland, MI (US)
- (\*\*) Term: **15 Years**
- (21) Appl. No.: **29/667,851**
- (22) Filed: **Oct. 25, 2018**
- (51) **LOC (12) Cl.** ..... **06-01**
- (52) **U.S. Cl.**  
USPC ..... **D6/335**
- (58) **Field of Classification Search**  
USPC ..... D6/334–338, 378, 381, 713, 714, 717  
CPC ..... A47B 83/00; A47B 83/02; A47C 1/00;  
A47C 3/12; A47C 7/18; A47C 7/66;  
A47C 17/02; A47C 17/86  
See application file for complete search history.

D798,072 S *	9/2017	Massaud .....	D6/334
D809,316 S *	2/2018	Rockwell .....	D6/381
D854,851 S *	7/2019	Smrstick .....	D6/381
D862,095 S *	10/2019	Young .....	D6/334

\* cited by examiner

*Primary Examiner* — Cathron C Brooks

(74) *Attorney, Agent, or Firm* — Warner Norcross + Judd LLP

(57) **CLAIM**

The ornamental design for a chair, as shown and described.

**DESCRIPTION**

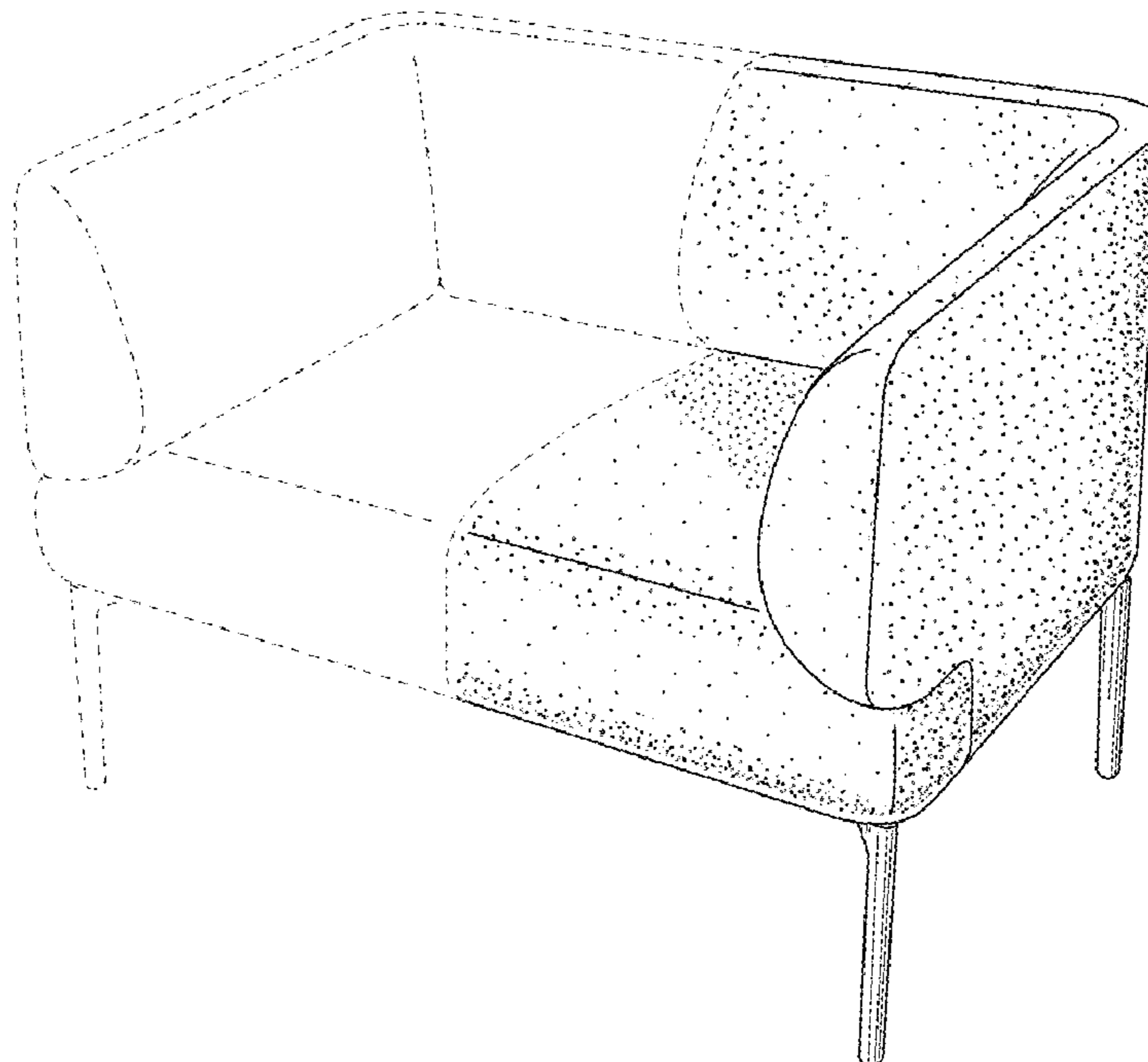
FIG. 1 is a front perspective view of a first embodiment of the chair embodying the new design; FIG. 2 is a side view thereof; FIG. 3 is a front view thereof; FIG. 4 is a rear view thereof; FIG. 5 is a top view thereof; FIG. 6 is a bottom view thereof; FIG. 7 is a front perspective view of a second embodiment of the chair embodying the new design; FIG. 8 is a side view thereof; FIG. 9 is a front view thereof; FIG. 10 is a rear view thereof; FIG. 11 is top view thereof; and, FIG. 12 is a bottom view thereof. FIGS. 1-12 show portions of the chair in broken lines. The portions shown in broken lines are for environmental purposes only and form no part of the claimed design. Stipple shading is added to convey surface contouring; the stipple shading is not to be understood as conveying a particular surface finish.

(56) **References Cited**

U.S. PATENT DOCUMENTS

D429,081 S *	8/2000	Gomez .....	D6/381
D432,807 S *	10/2000	Gollinucci .....	D6/334
D448,946 S *	10/2001	Goetz .....	D6/381
D454,441 S *	3/2002	Bermudez .....	D6/335
D484,712 S *	1/2004	Gomez .....	D6/377
D484,713 S *	1/2004	Gomez .....	D6/381
D643,643 S *	8/2011	Lievore .....	D6/381
D677,475 S *	3/2013	Bellini .....	D6/334
D679,518 S *	4/2013	Lievore .....	D6/381
D697,745 S *	1/2014	Nagata .....	D6/709
D698,173 S *	1/2014	Caldwell .....	D6/378
D698,179 S *	1/2014	Nguyen .....	D6/381
D709,712 S *	7/2014	Jehs .....	D6/381

**1 Claim, 6 Drawing Sheets**



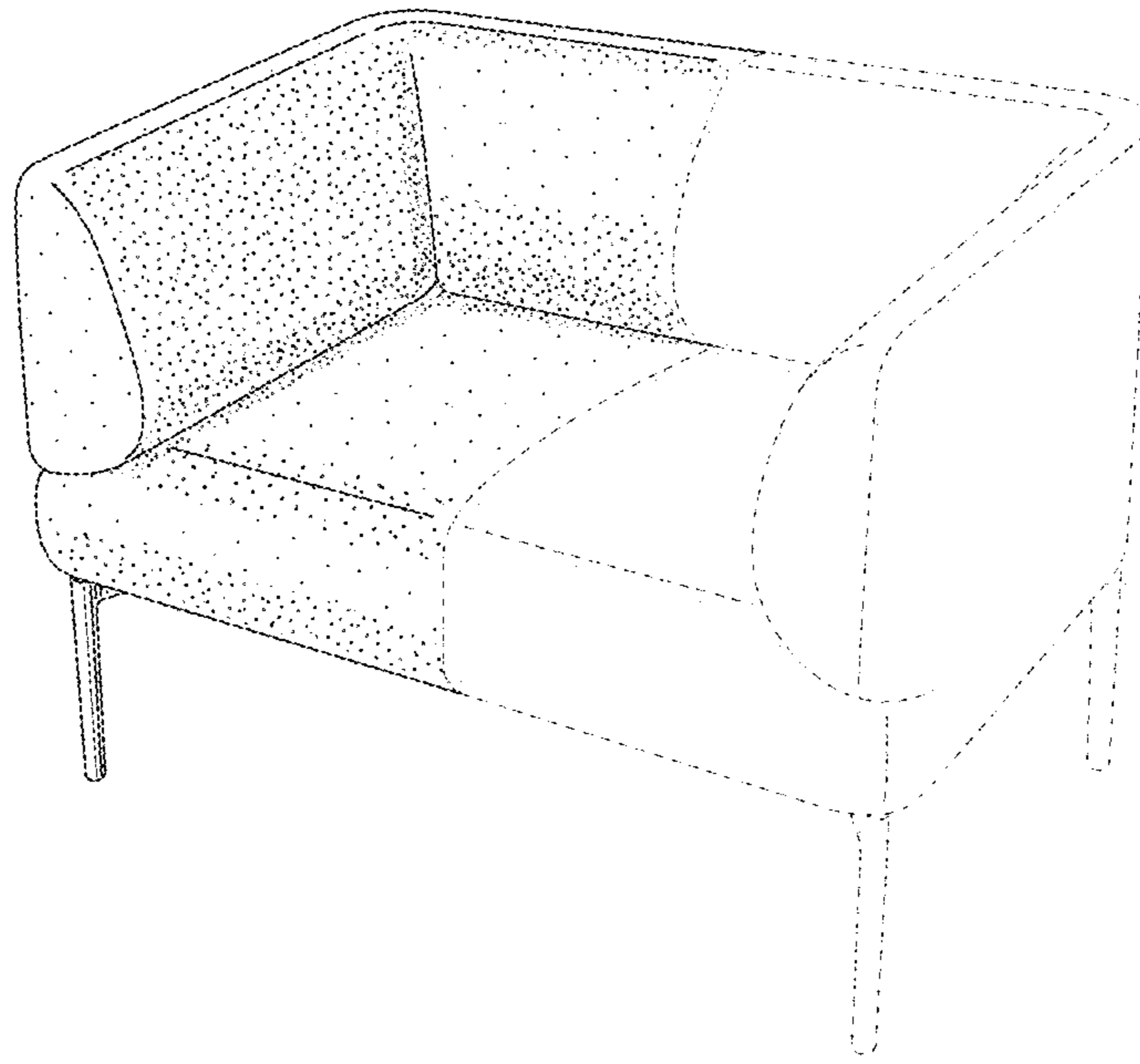


Fig. 1

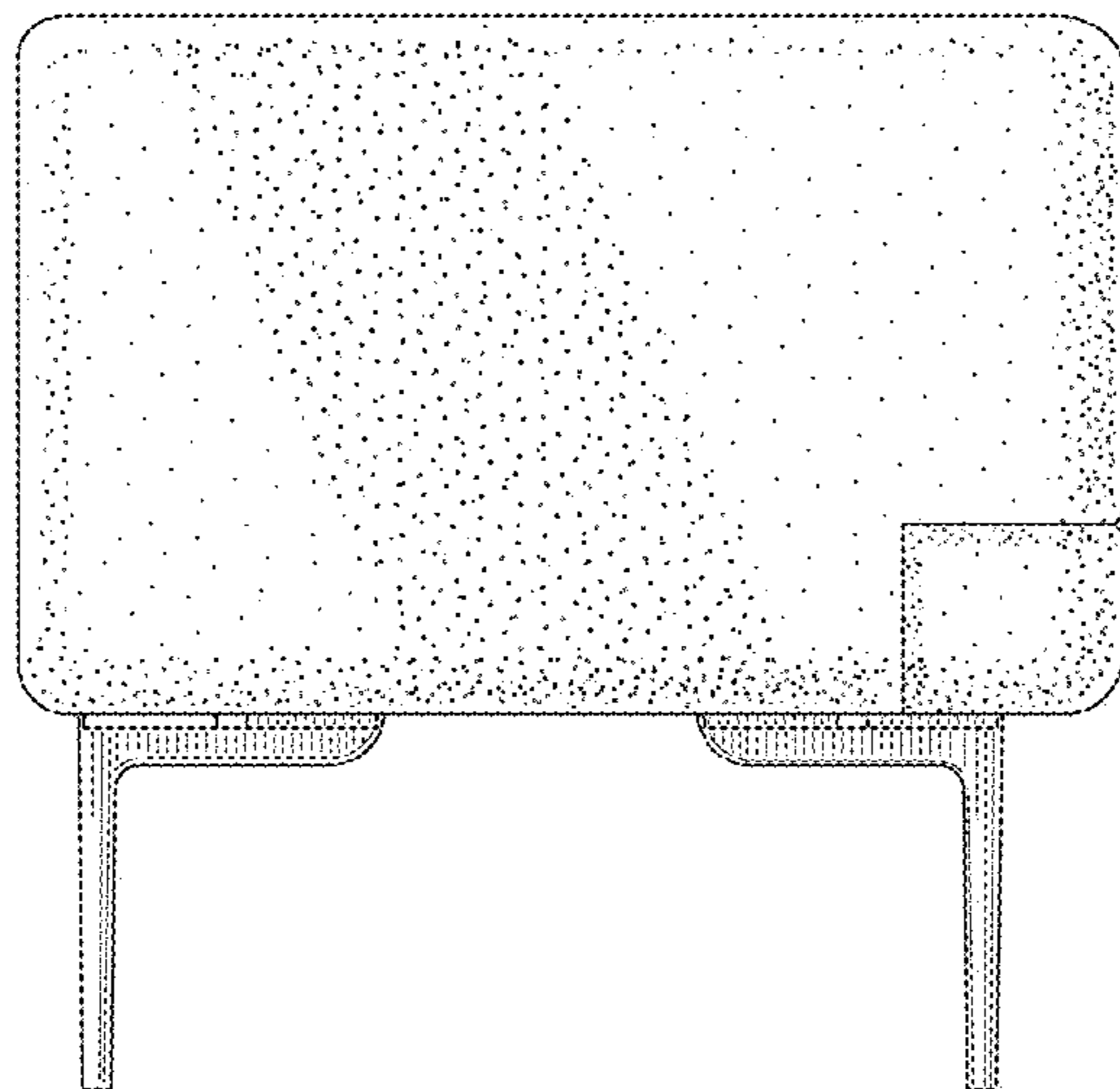


Fig. 2

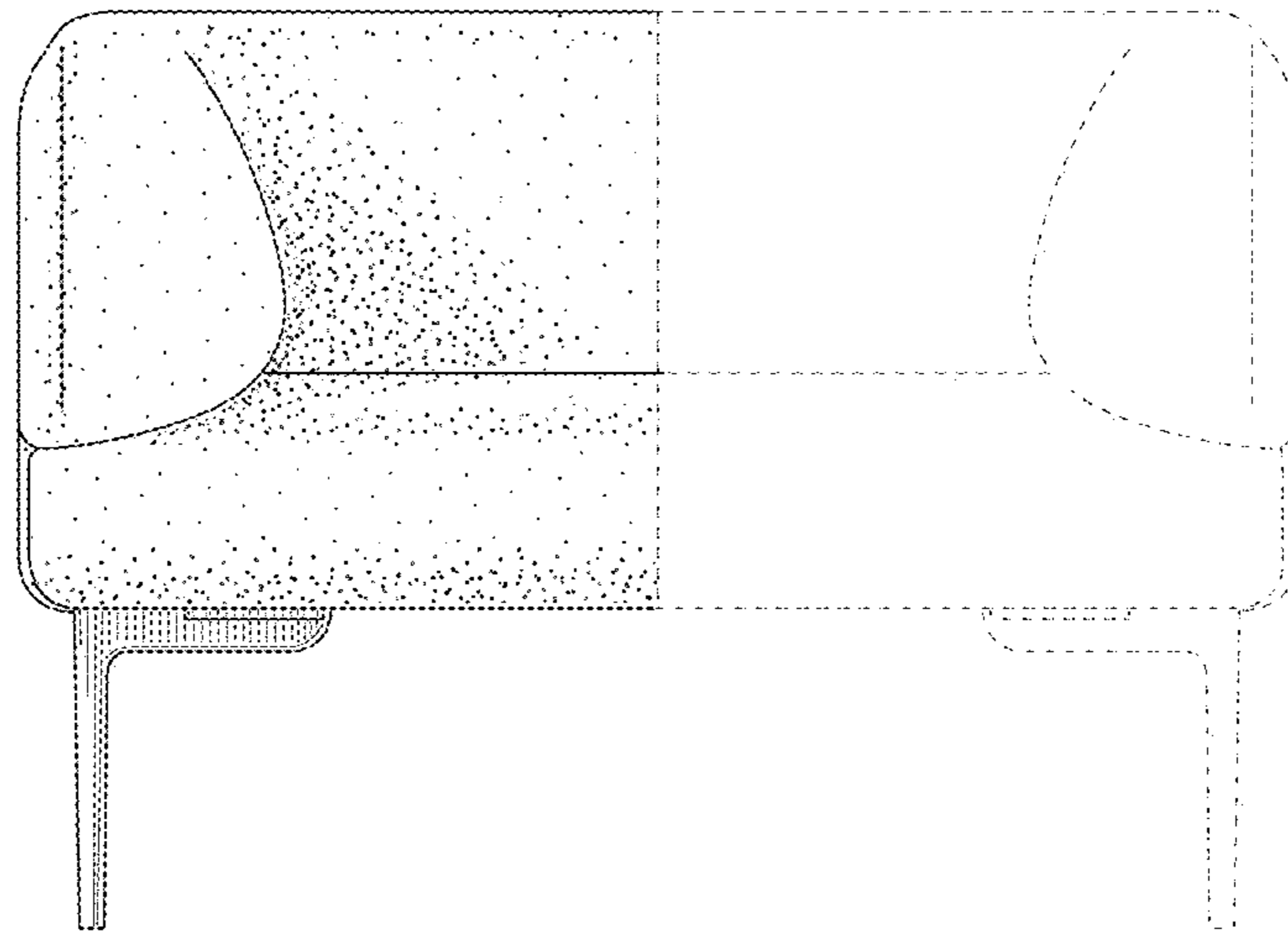


Fig. 3

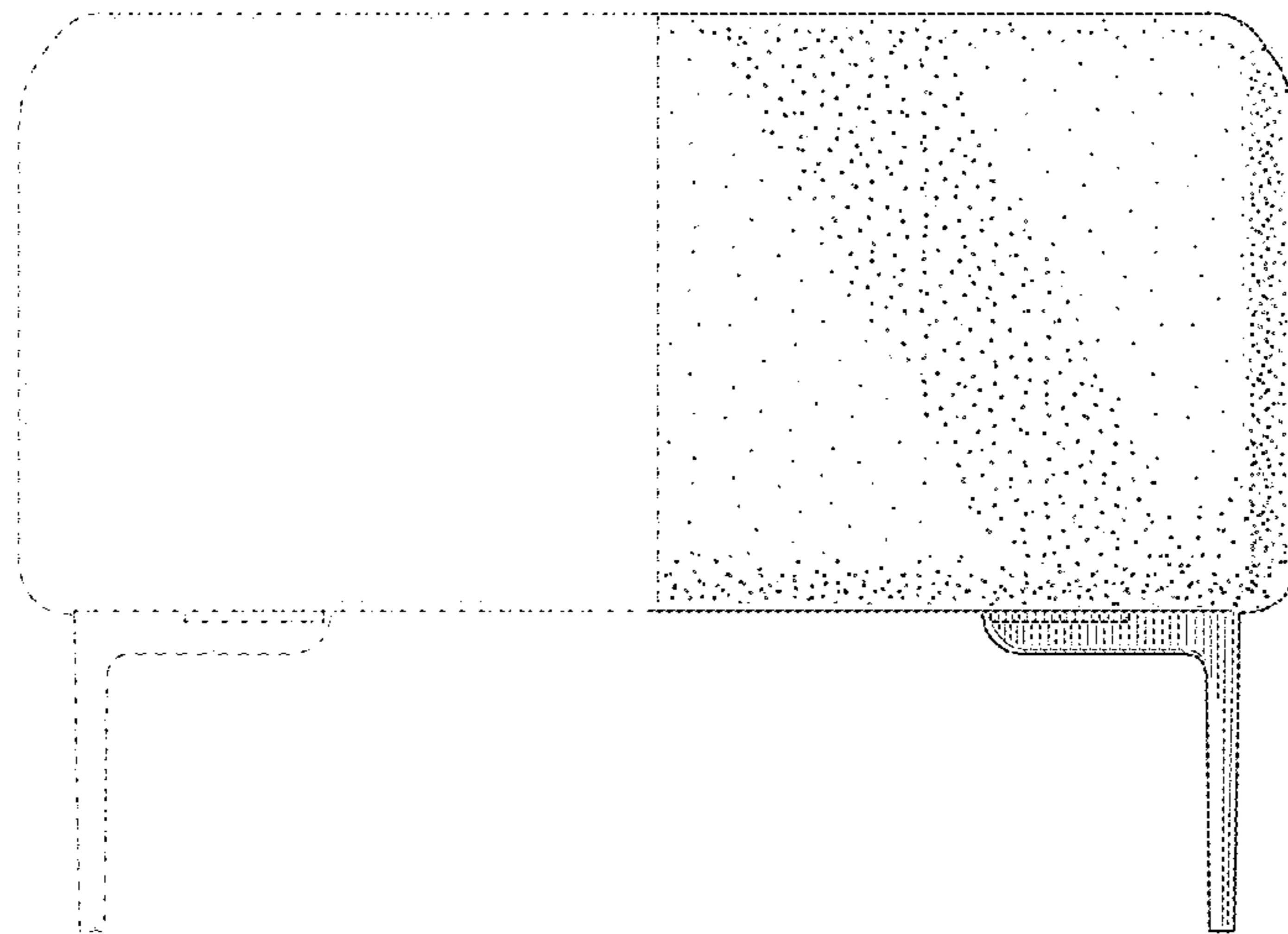


Fig. 4

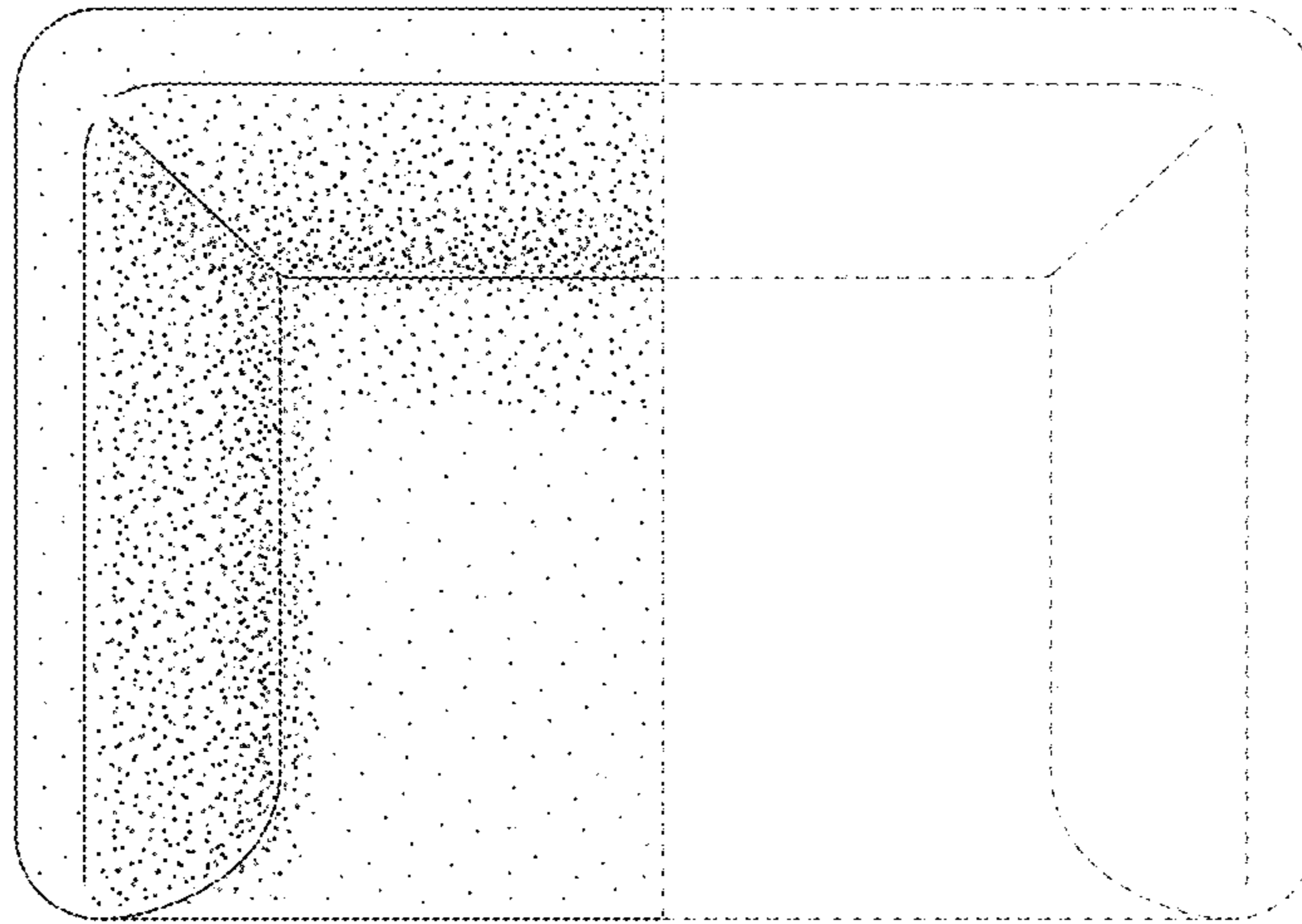


Fig. 5

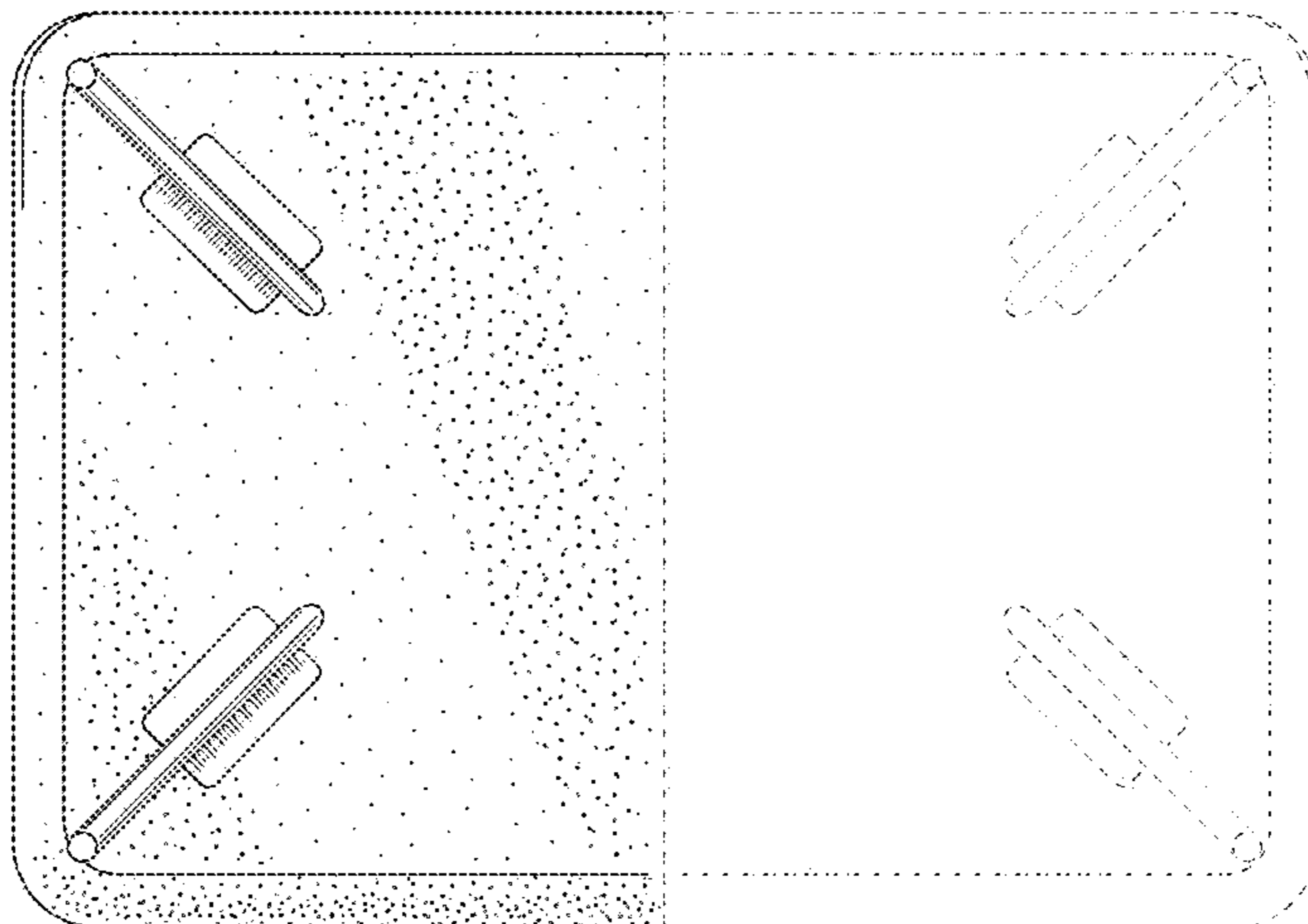


Fig. 6

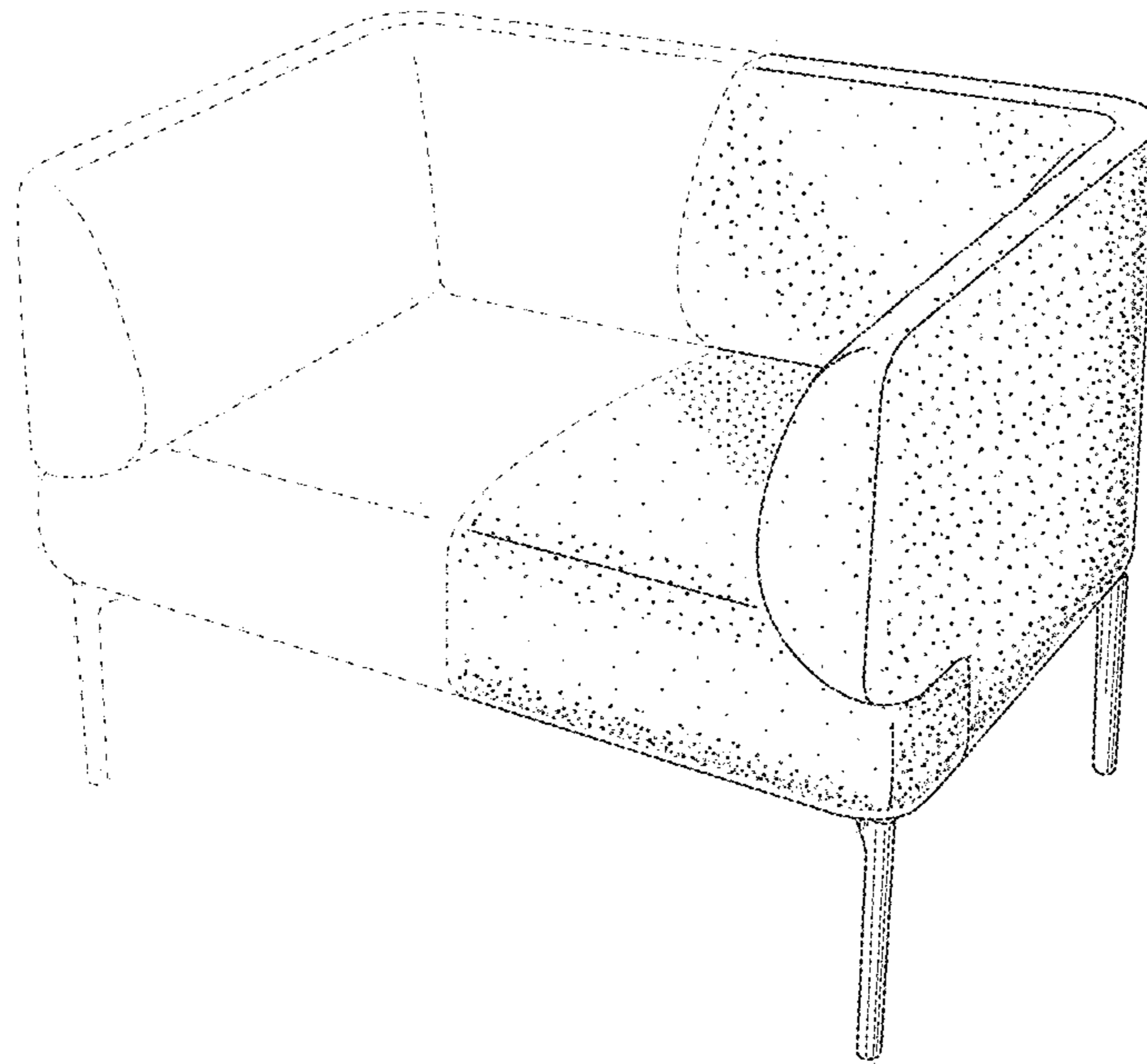


Fig. 7

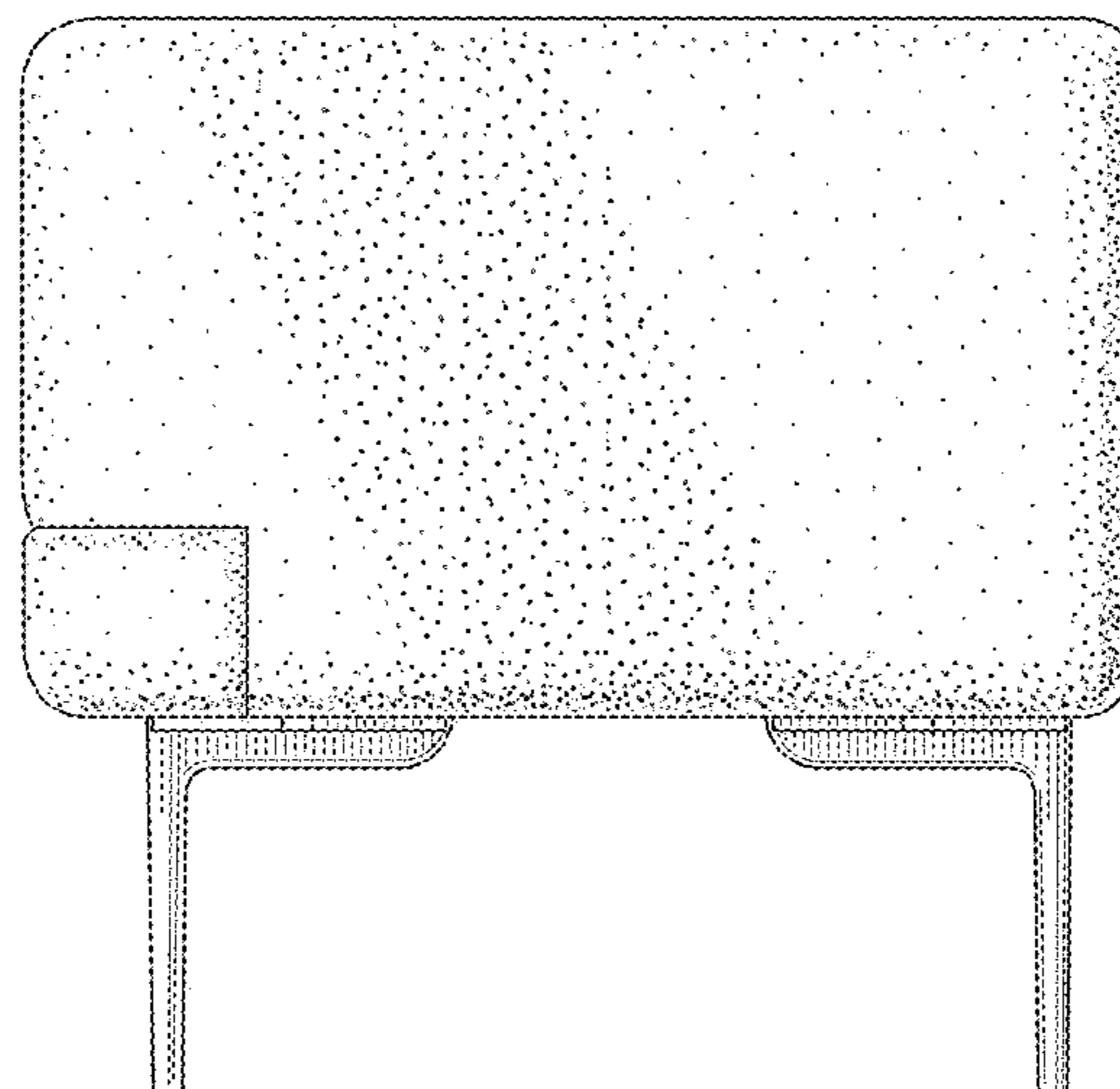


Fig. 8

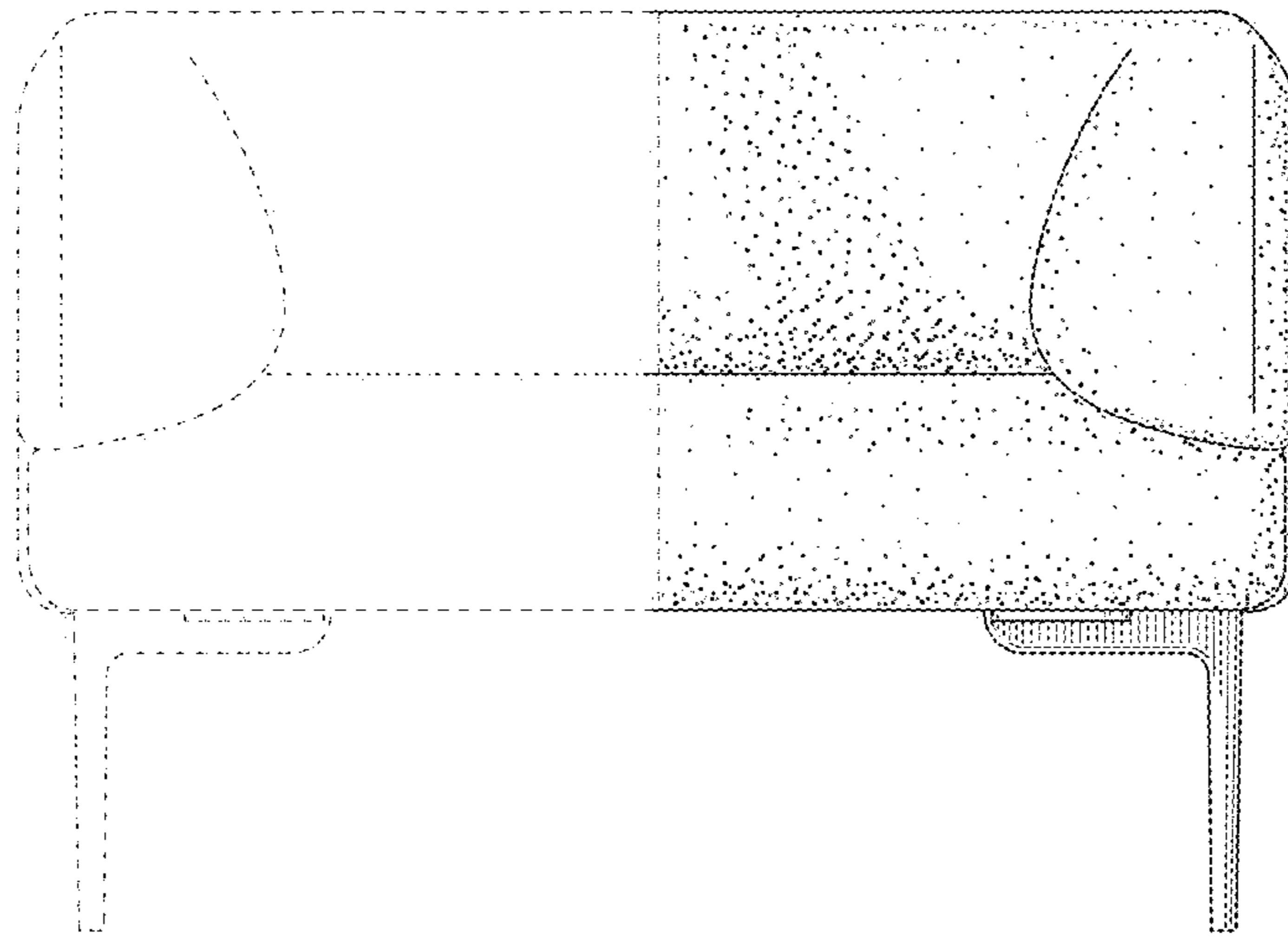


Fig. 9

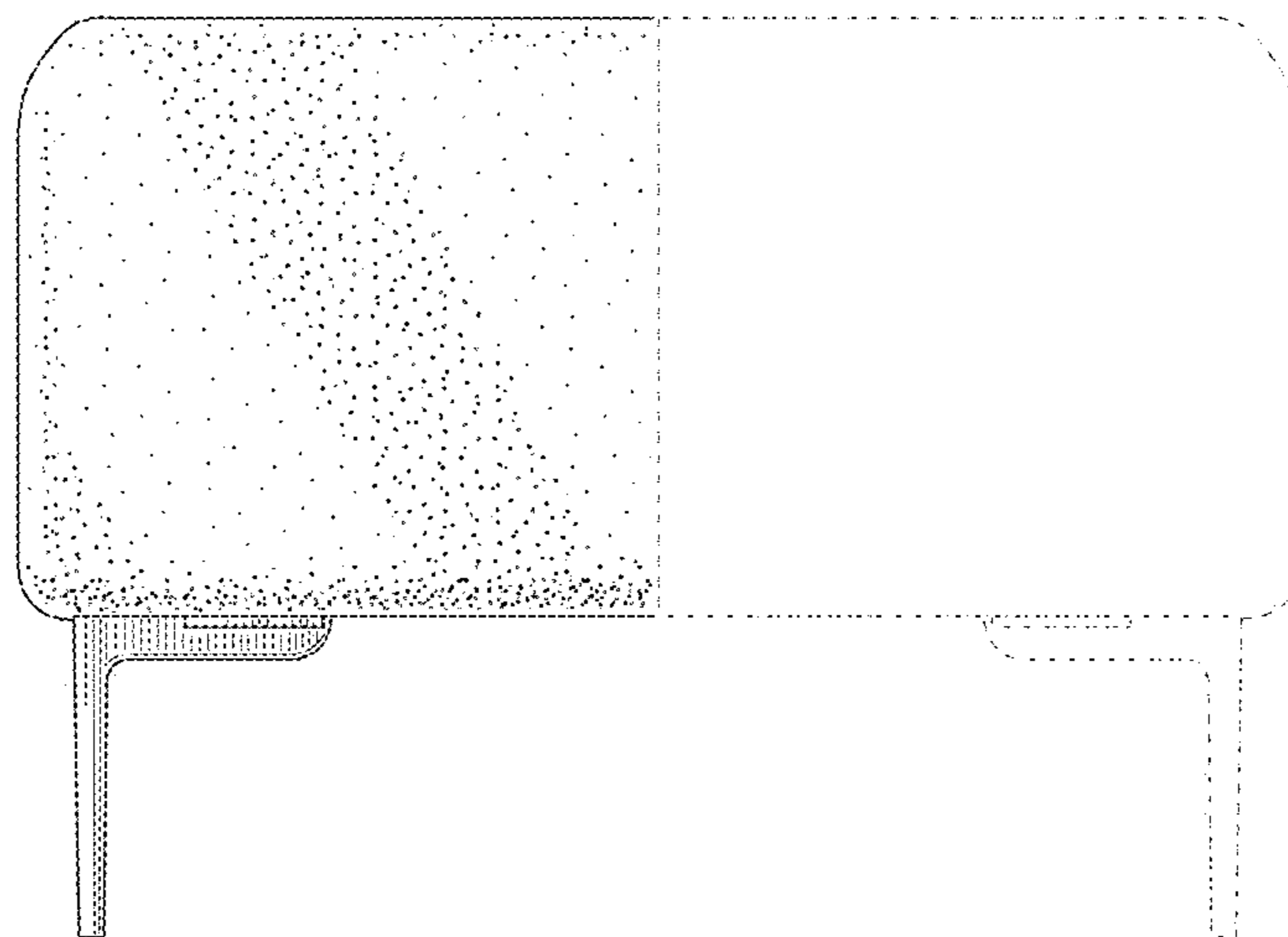


Fig. 10

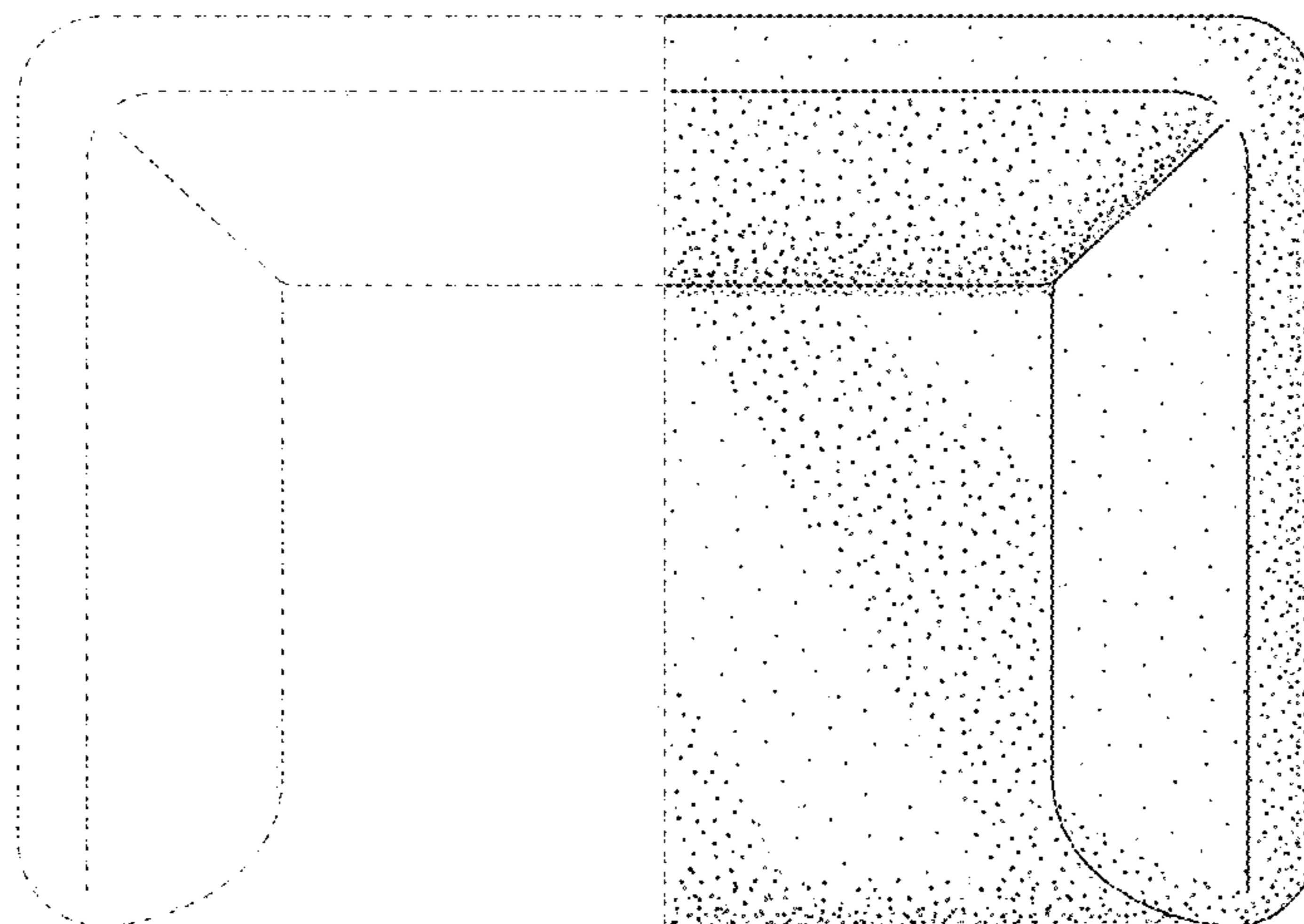


Fig. 11

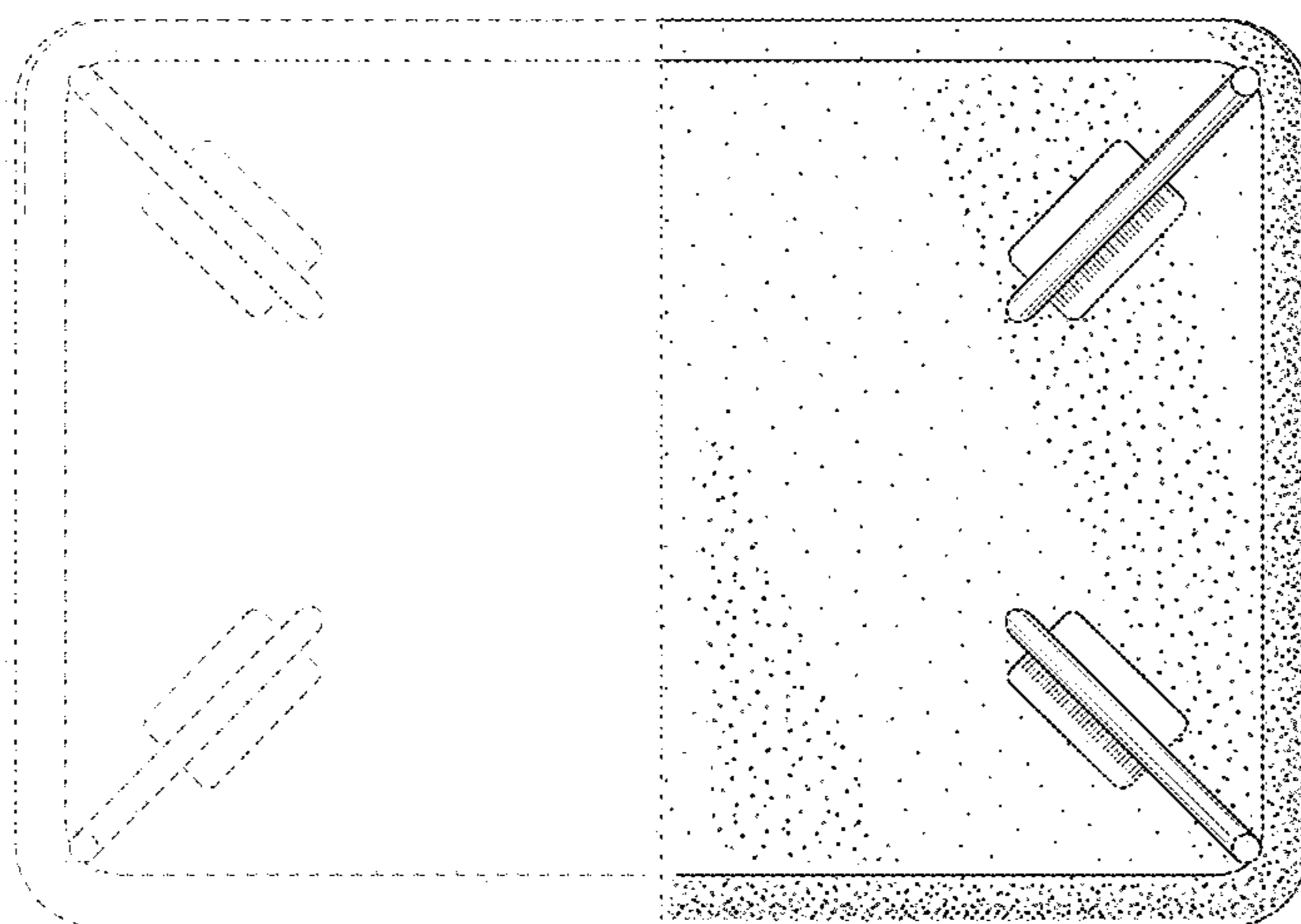


Fig. 12