



US00D887725S

(12) **United States Design Patent** (10) **Patent No.:** **US D887,725 S**
Reister (45) **Date of Patent:** **** Jun. 23, 2020**

- (54) **BELT RACK ORGANIZER**
- (71) Applicant: **The Modern Gentleman, Inc.**, Plano, TX (US)
- (72) Inventor: **Richard James Reister**, Plano, TX (US)
- (73) Assignee: **THE MODERN GENTLEMAN, INC.**, Plano, TX (US)
- (**) Term: **15 Years**
- (21) Appl. No.: **29/691,488**
- (22) Filed: **May 16, 2019**
- (51) **LOC (12) Cl.** **06-08**
- (52) **U.S. Cl.**
USPC **D6/315**
- (58) **Field of Classification Search**
USPC D6/315-328, 512, 513, 552, 553, 567;
D8/349
CPC A47G 25/14; A47G 25/28; A47G 25/26;
A47G 25/30; A47G 25/36; A47G 25/50;
A47G 25/442; A47G 25/483; A47G
25/743; A47G 25/4023; A47F 5/0006
See application file for complete search history.

5,067,617 A	11/1991	Caldwell et al.	
D340,606 S *	10/1993	Hubbard	D6/567
D340,607 S	10/1993	Hubbard	
D341,051 S	11/1993	Hubbard	
5,487,475 A	1/1996	Knee	
5,604,484 A	2/1997	Rogers	
D392,142 S *	3/1998	Weisburn	D6/553
6,402,104 B1 *	6/2002	Smith	A47K 1/09 248/205.5
D493,056 S	7/2004	Shornak	
D509,669 S	9/2005	Krebs	
D782,227 S	3/2017	Hepburn	
9,687,117 B1	6/2017	Koch	
D794,979 S	8/2017	Centracchio	
10,092,116 B1	10/2018	Johns et al.	

(Continued)

Primary Examiner — Lauren R Calve
(74) *Attorney, Agent, or Firm* — Slater Matsil, LLP

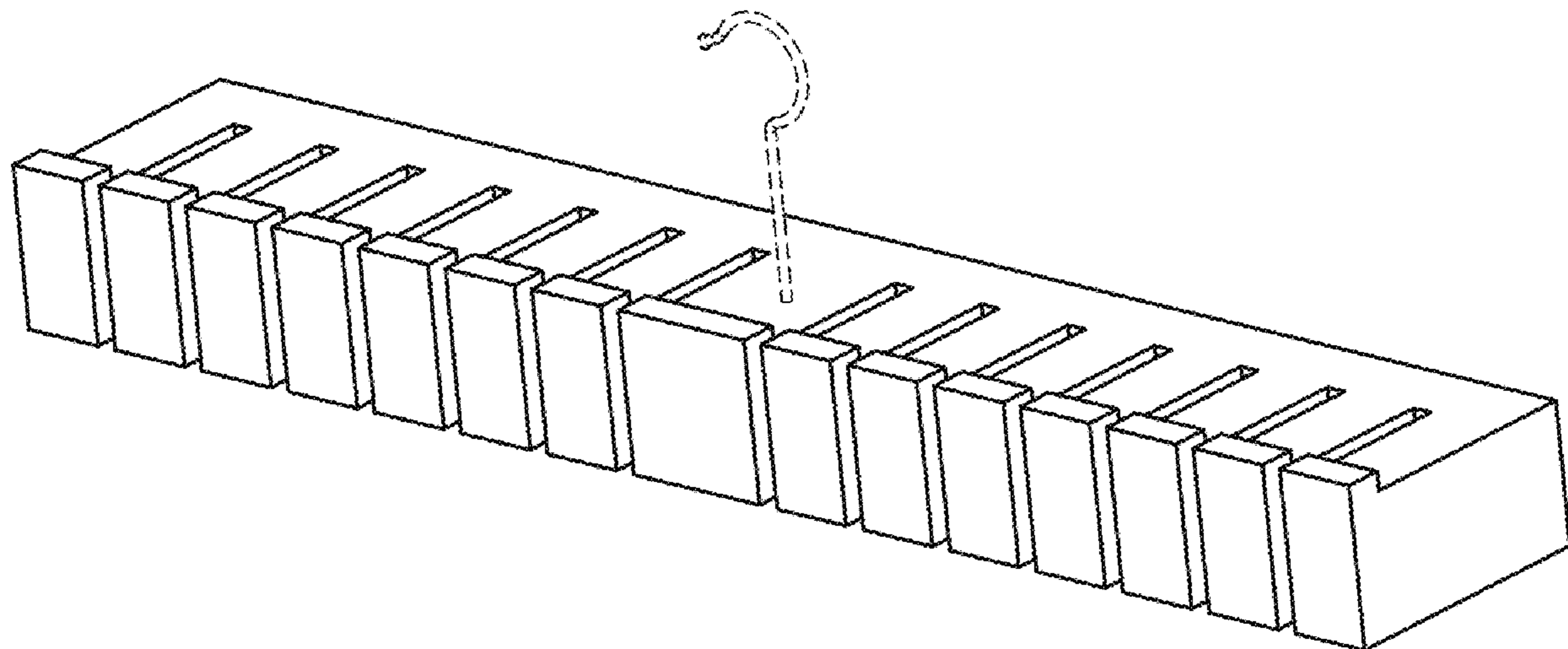
(57) **CLAIM**

The ornamental design for a belt rack organizer, as shown and described.

DESCRIPTION

FIG. 1 is a perspective view of a belt rack organizer;
 FIG. 2 is a front perspective view of the belt rack organizer of FIG. 1;
 FIG. 3 is a right side elevational view of the belt rack organizer of FIG. 1;
 FIG. 4 is a bottom plan view of the belt rack organizer of FIG. 1;
 FIG. 5 is a back side elevational view of the belt rack organizer of FIG. 1;
 FIG. 6 is a top plan view of the belt rack organizer of FIG. 1; and,
 FIG. 7 is a left side elevational view of the belt rack organizer of FIG. 1.
 The broken line portions of the figure drawings are included to show unclaimed subject matter only and form no part of the claimed design.

1 Claim, 7 Drawing Sheets



(56)

References Cited

U.S. PATENT DOCUMENTS

2004/0222175 A1 11/2004 Keating et al.
2008/0087785 A1 4/2008 Roche
2010/0200525 A1* 8/2010 Keyvanloo A47F 5/10
211/59.2
2015/0190922 A1* 7/2015 Neal A47F 5/08
211/70.6

* cited by examiner

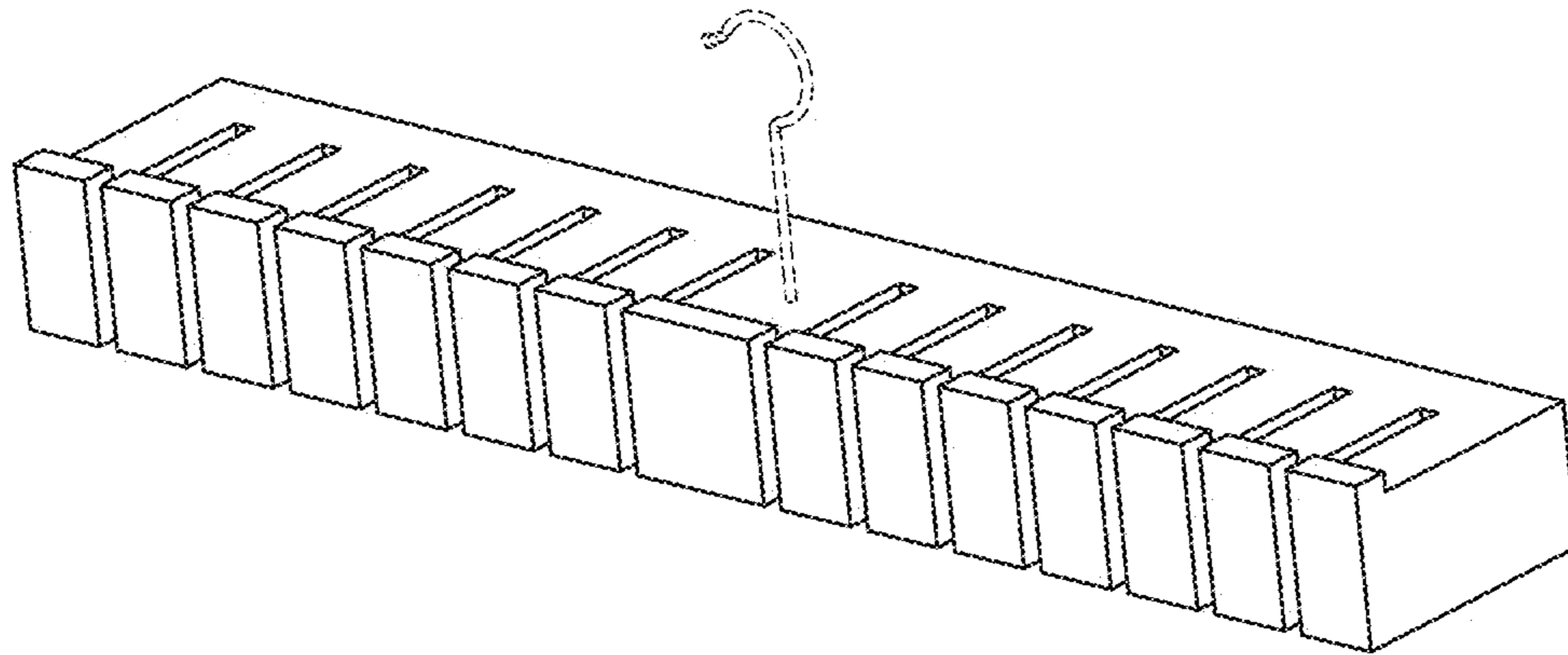


FIG. 1

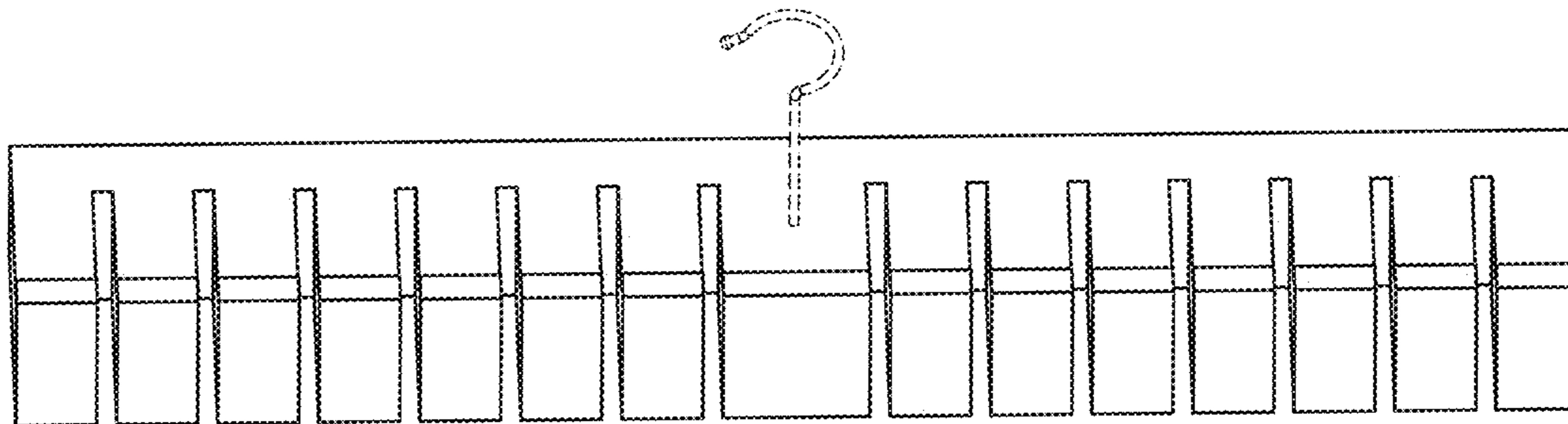


FIG. 2

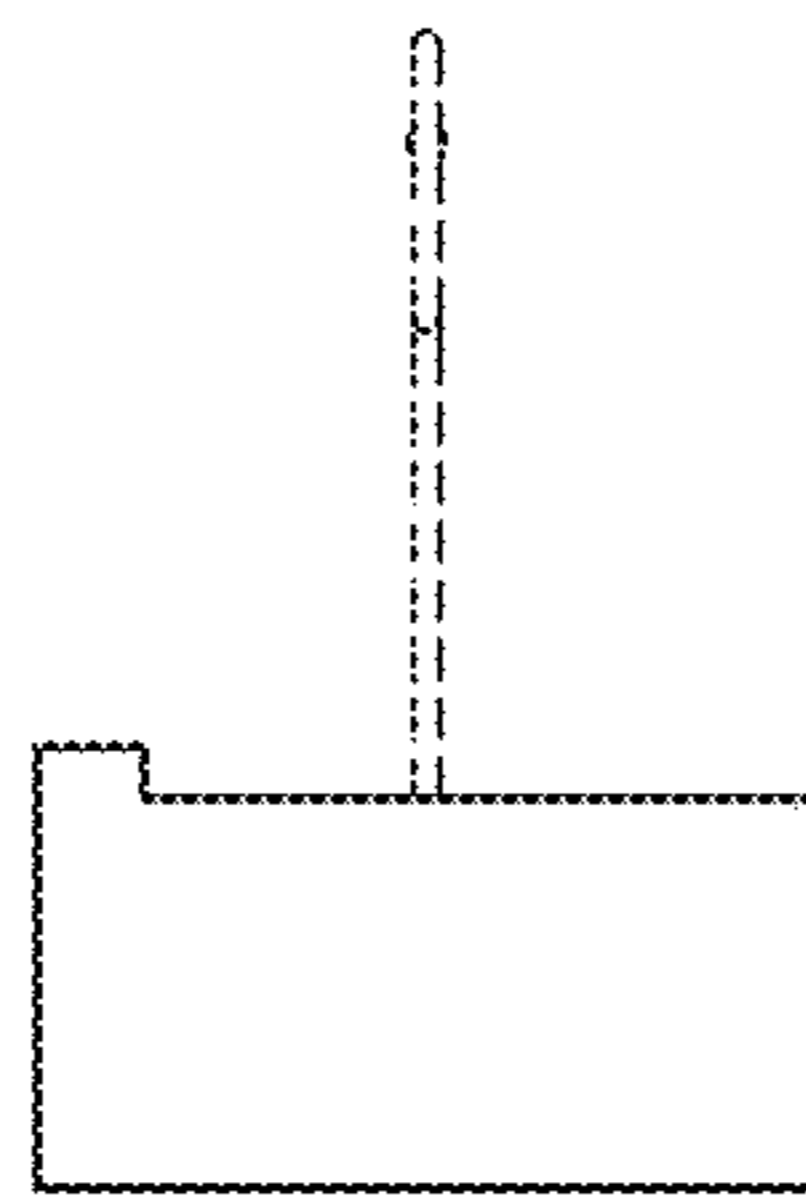


FIG. 3

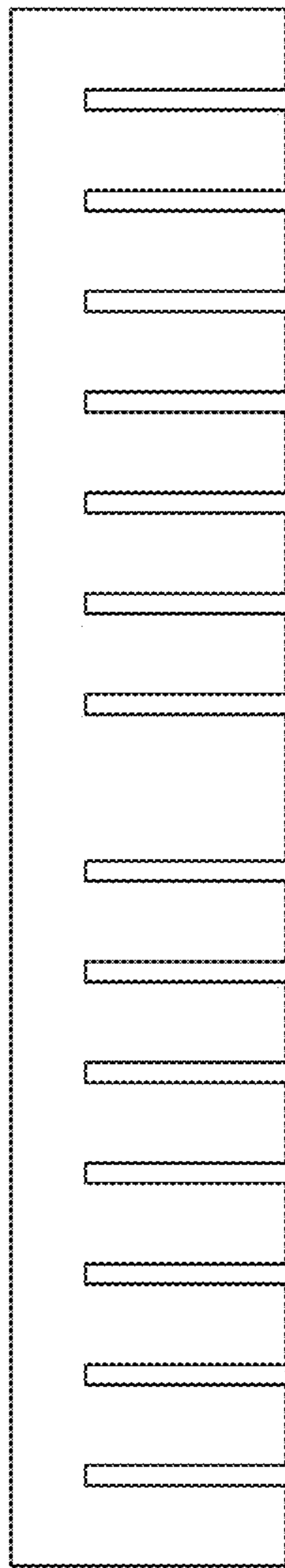


FIG. 4

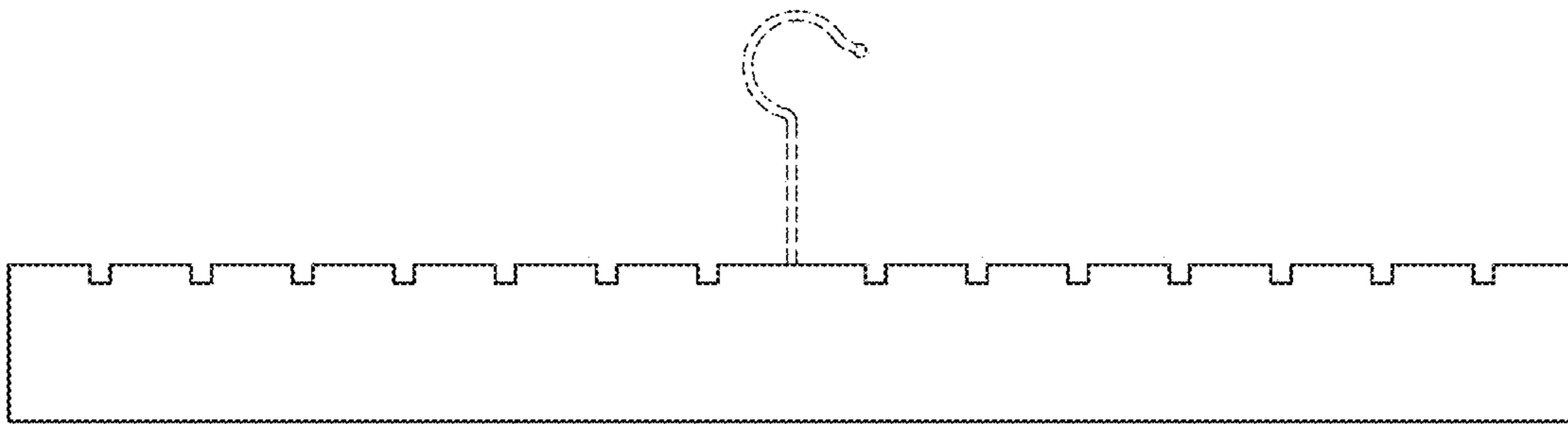


FIG. 5

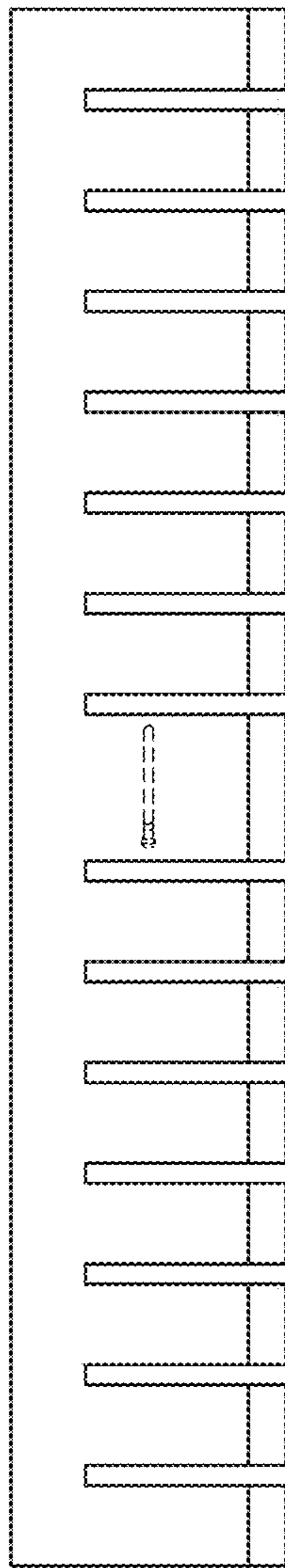


FIG. 6

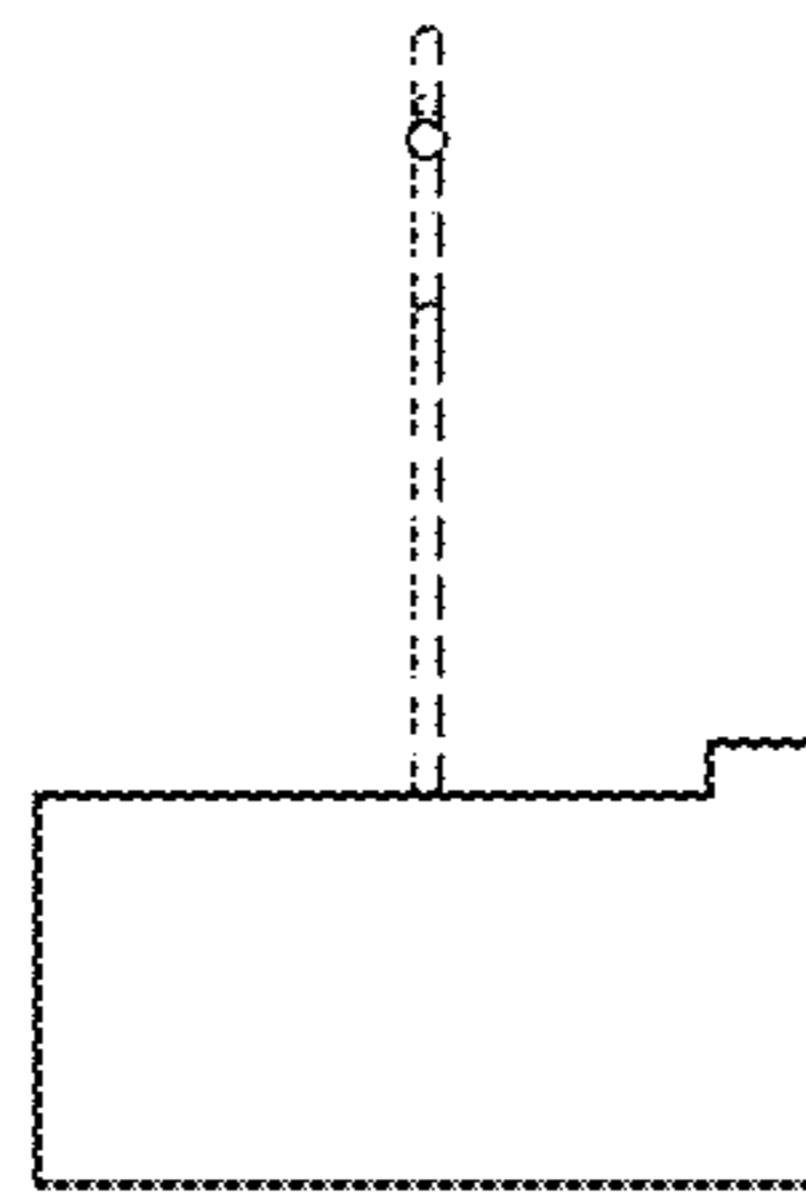


FIG. 7