



US00D887724S

(12) **United States Design Patent**  
**Yu et al.**

(10) **Patent No.:** **US D887,724 S**  
(45) **Date of Patent:** **\*\* Jun. 23, 2020**

(54) **PIXEL FRAME**

(71) Applicant: **Shenzhen Divoom Technology Co., LTD.**, Shenzhen, Guangdong (CN)

(72) Inventors: **Chaoliang Yu**, Guangdong (CN); **Wen Jian**, Guangdong (CN)

(73) Assignee: **Shenzhen Divoom Technology Co., LTD.**, Shenzhen (CN)

(\*\*) Term: **15 Years**

(21) Appl. No.: **29/658,977**

(22) Filed: **Aug. 3, 2018**

(51) **LOC (12) Cl.** ..... **06-06**

(52) **U.S. Cl.**  
USPC ..... **D6/308; D14/371**

(58) **Field of Classification Search**  
USPC ..... D6/300–314; D10/15, 21, 24; D14/336, D14/371, 374, 375  
CPC ..... G09G 2380/16  
See application file for complete search history.

(56) **References Cited**

**U.S. PATENT DOCUMENTS**

899,329 A *	9/1908	Sborigi	.....	A47G 1/06 40/765
D172,278 S *	5/1954	Helms	.....	D6/300
2,791,051 A *	5/1957	Scheyer	.....	A47G 1/162 40/763
D213,882 S *	4/1969	Sonnenblick	.....	D6/300
D269,838 S *	7/1983	Altonaga	.....	D25/119
D473,720 S *	4/2003	Harris	.....	D6/300
D548,981 S *	8/2007	Ernetoft	.....	D6/300

D575,531 S *	8/2008	Paterson	.....	D6/300
D610,356 S *	2/2010	Hoehn	.....	D6/310
D622,513 S *	8/2010	Tang	.....	D14/371
D622,970 S *	9/2010	Tang	.....	D14/371
D629,216 S *	12/2010	Stoddard	.....	D6/308
D677,474 S *	3/2013	Harris	.....	D6/310
D682,560 S *	5/2013	Gschwandegger	.....	D6/300
D704,457 S *	5/2014	Whaley	.....	D6/308
D782,211 S *	3/2017	Randhawa	.....	D6/300
D804,194 S *	12/2017	Thams	.....	D6/300
D805,309 S *	12/2017	Moyer	.....	D6/308
D808,178 S *	1/2018	Jones	.....	D6/300
D818,723 S *	5/2018	Moyer	.....	D6/308

\* cited by examiner

*Primary Examiner* — Deanna L Pratt

(74) *Attorney, Agent, or Firm* — Intellectual Property Law Group LLP

(57) **CLAIM**

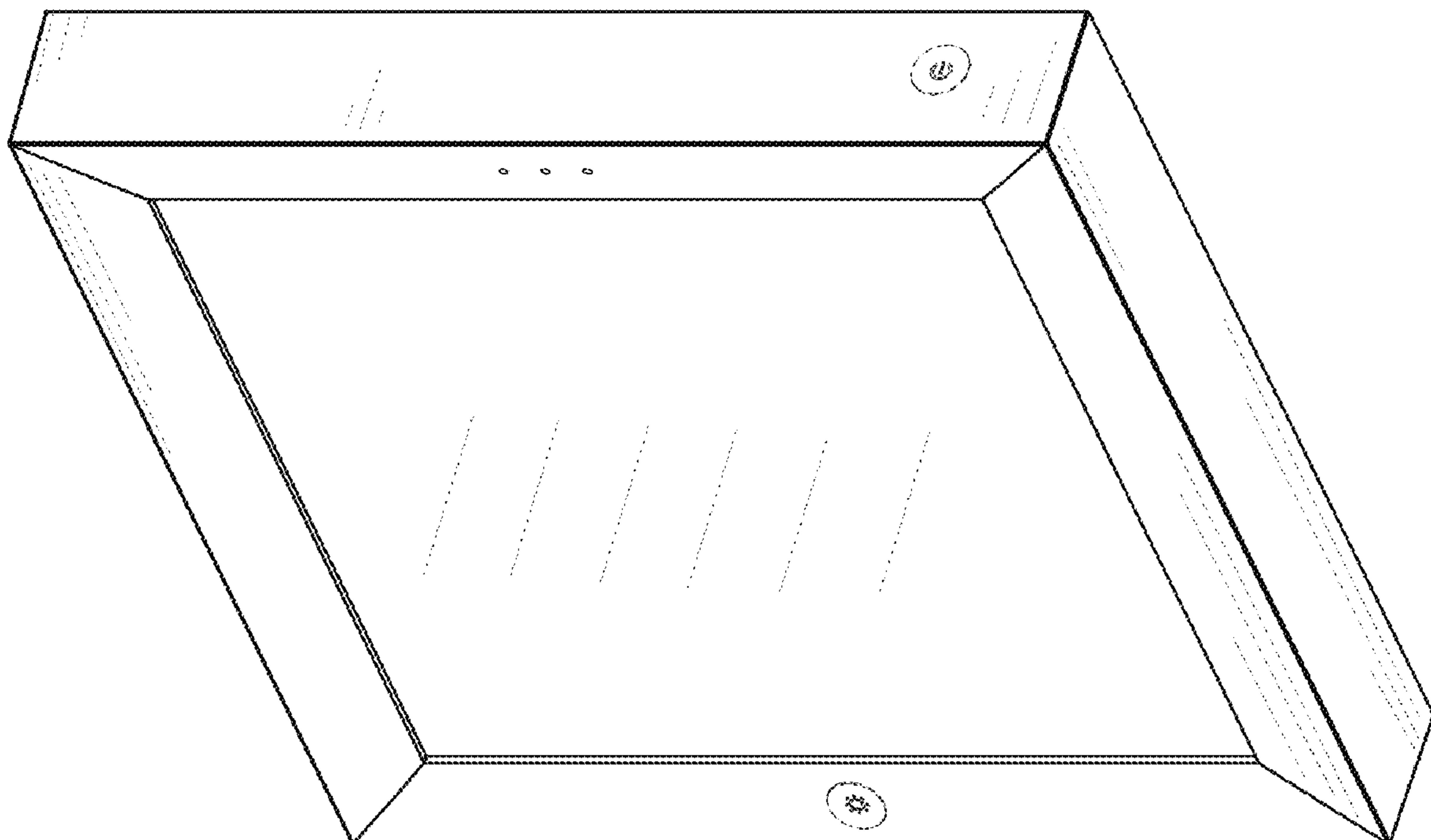
The ornamental design for a pixel frame, as shown and described.

**DESCRIPTION**

FIG. 1 is a perspective view of a pixel frame showing my new design;  
FIG. 2 is a front view thereof;  
FIG. 3 is a rear view thereof;  
FIG. 4 is a left side view thereof;  
FIG. 5 is a right side view thereof;  
FIG. 6 is a top view thereof; and,  
FIG. 7 is a bottom view thereof.

The broken lines shown in the drawings are for the purpose of illustrating portions of the pixel frame that form no part of the claimed design.

**1 Claim, 7 Drawing Sheets**



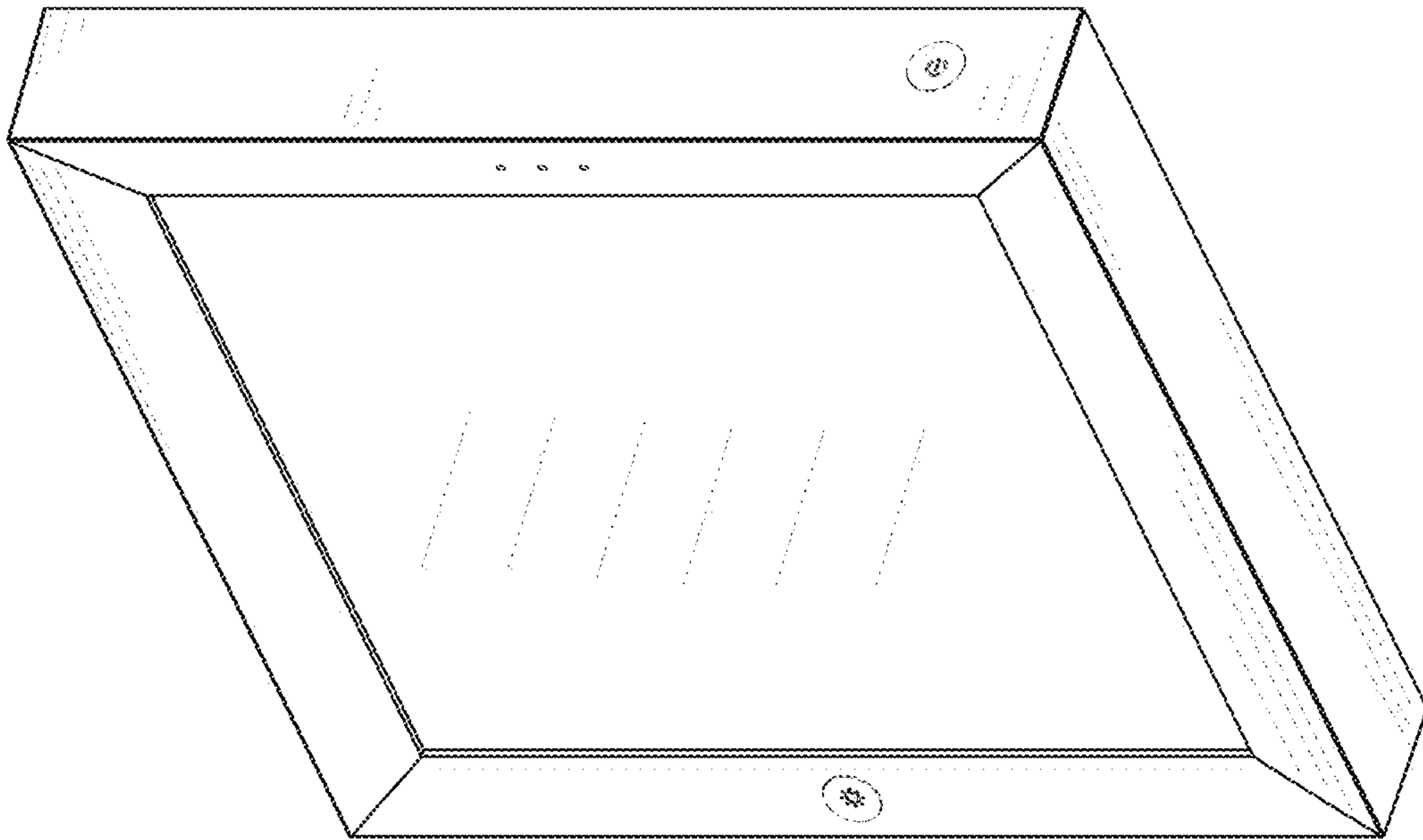


FIG. 1

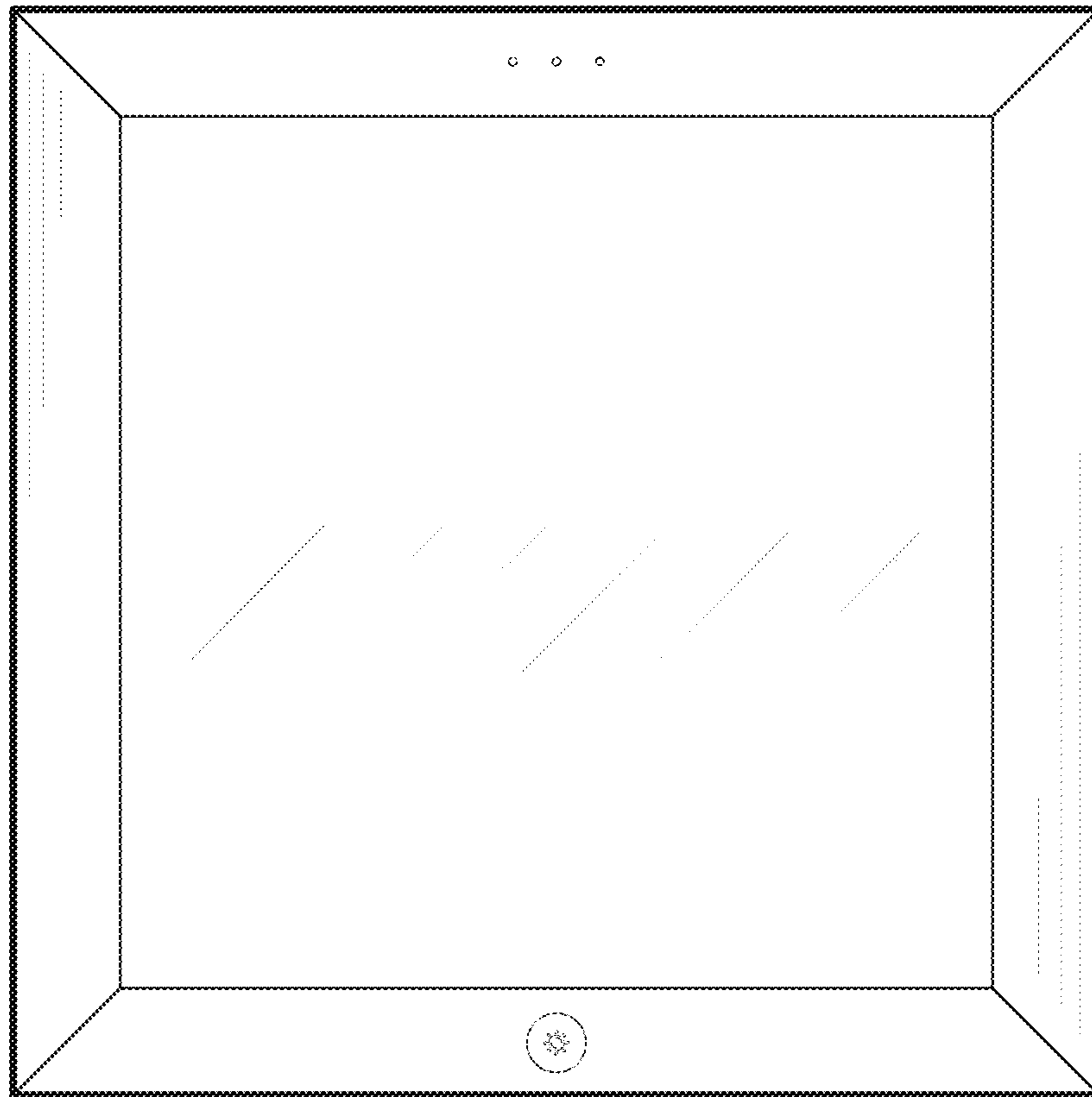


FIG.2

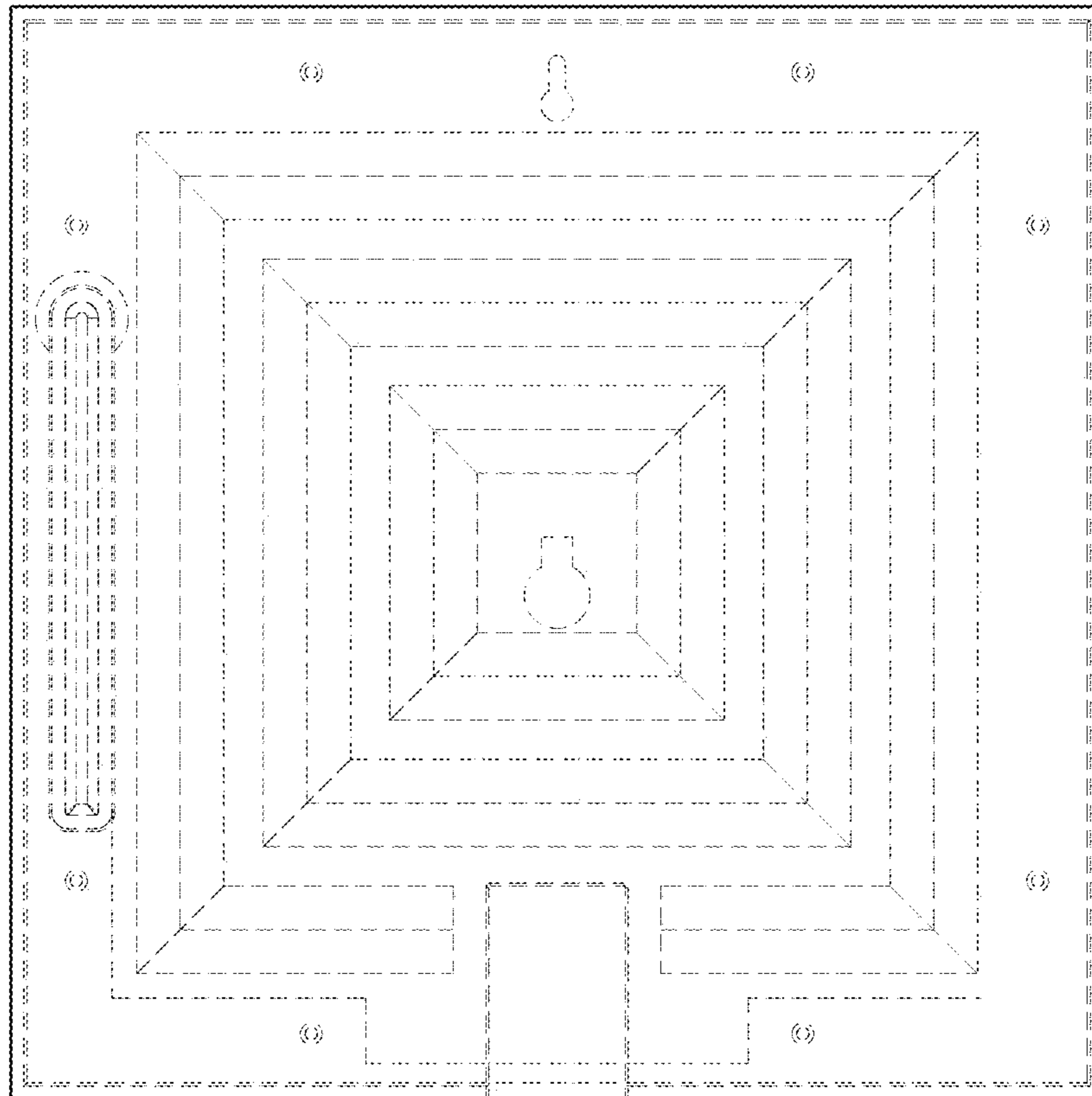


FIG.3

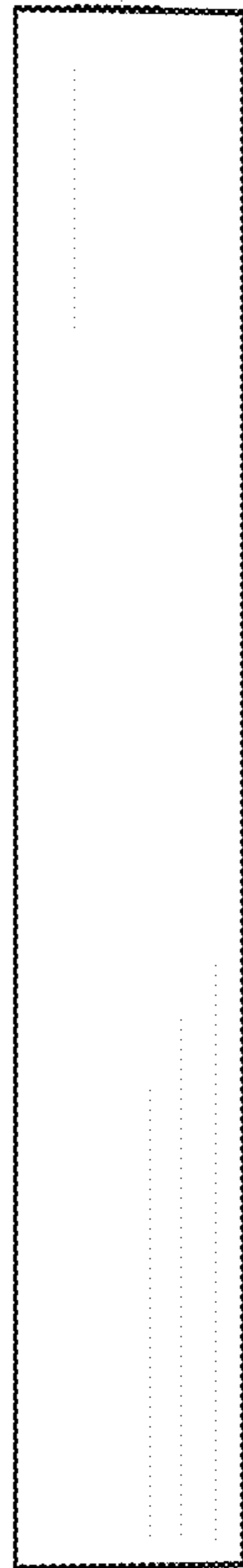


FIG.4

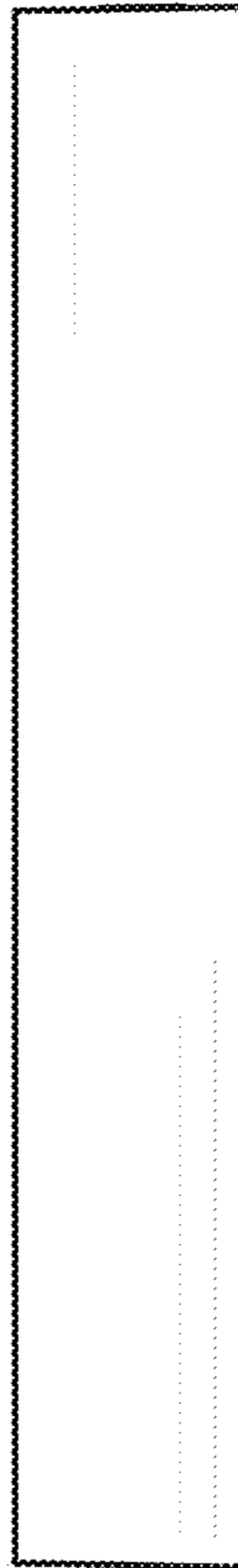


FIG.5



FIG.6

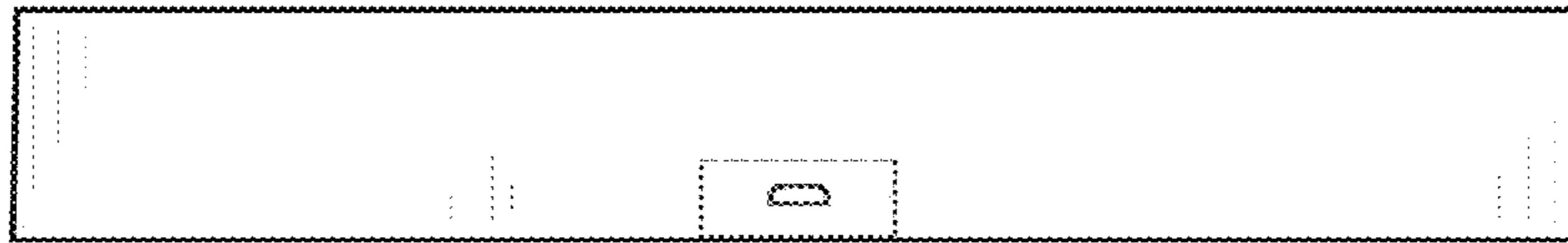


FIG. 7