



US00D887714S

(12) **United States Design Patent**  
**Njuguna**

(10) **Patent No.:** **US D887,714 S**  
(45) **Date of Patent:** **\*\* Jun. 23, 2020**

(54) **CONTAINER BODY**

*Primary Examiner* — Holly H Baynham

(71) Applicant: **Kenneth Waruta Njuguna**,  
Shrewsbury, MA (US)

(57) **CLAIM**

The ornamental design for a container body, as shown and described.

(72) Inventor: **Kenneth Waruta Njuguna**,  
Shrewsbury, MA (US)

**DESCRIPTION**

(\*\*) Term: **15 Years**

FIG. 1 is a perspective view of a container body showing my new design;

(21) Appl. No.: **29/680,435**

FIG. 2 is a front elevational view thereof;

(22) Filed: **Feb. 15, 2019**

FIG. 3 is a rear elevational view thereof;

(51) **LOC (12) Cl.** ..... **03-01**

FIG. 4 is a left side elevational view thereof;

(52) **U.S. Cl.**  
USPC ..... **D3/318**

FIG. 5 is a right side elevational view thereof;

(58) **Field of Classification Search**  
USPC ..... D3/273, 294, 318  
CPC .... B25H 3/02-028; B25H 3/00; B25H 3/003;  
B25H 3/006  
See application file for complete search history.

FIG. 6 is a bottom plan view thereof;

FIG. 7 is a top plan view thereof; and,

FIG. 8 is an additional environmental perspective view thereof.

The broken line showing of a plurality of latches, a rectangular housing inside the larger exemplified cavity, a plurality of switches, and a strap is included for the purpose of illustrating environmental structure and forms no part of the claimed design. The broken line showing of two cavities separated by a partition therebetween that the semicircular recess is disposed upon is included for the purpose of illustrating an arbitrary wall thickness between the exterior, the interior, and between the two cavities. The broken line showing of a complementing rectangular container body is mirrored by the container body and may be associated through the second plurality of tubular hinges and is included for the purpose of illustrating environmental structure and forms no part of the claimed design.

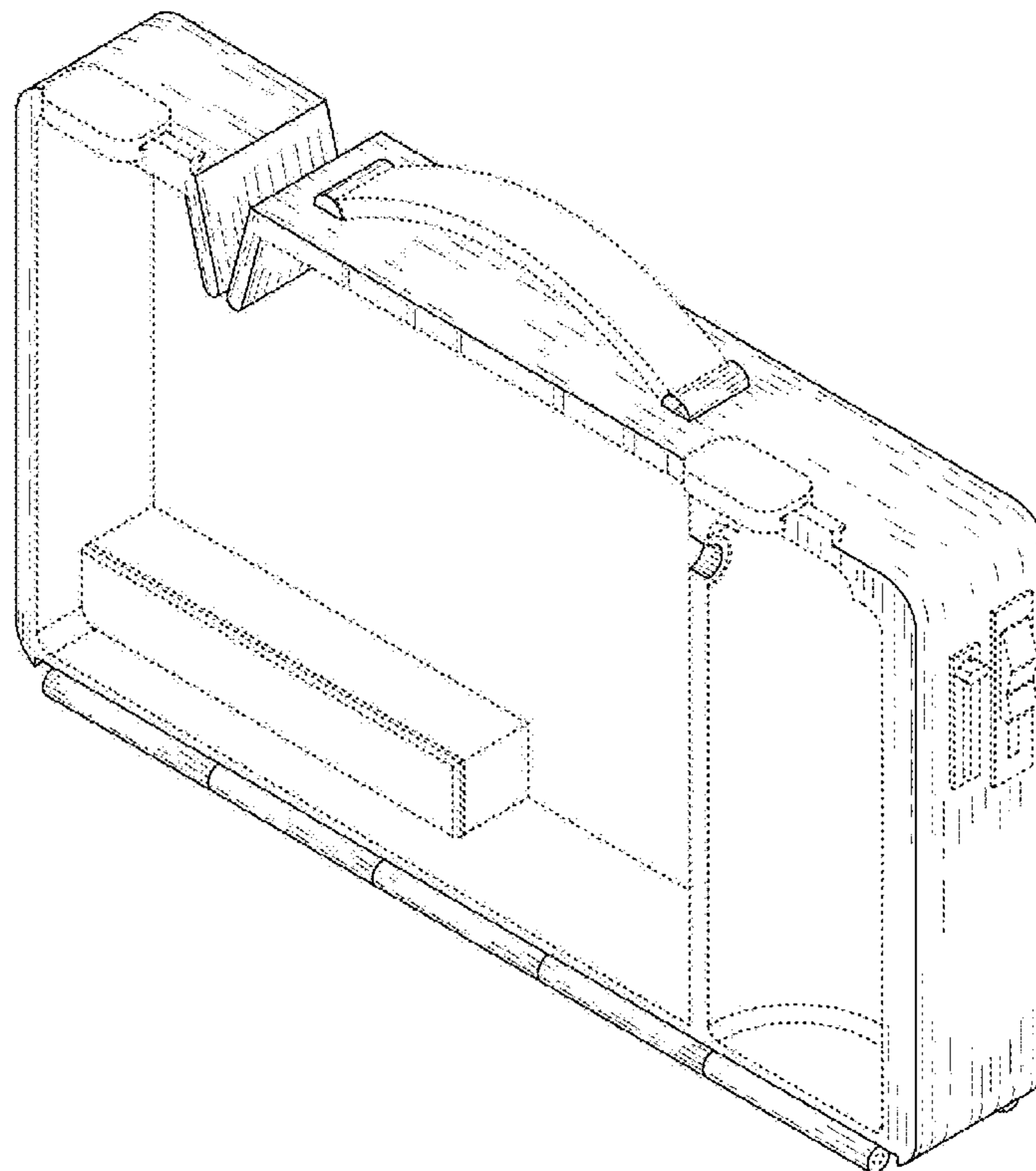
(56) **References Cited**

**U.S. PATENT DOCUMENTS**

D553,857 S	*	10/2007	Pendergraph	.....	D3/273
D555,902 S	*	11/2007	Pendergraph	.....	D3/273
D569,103 S	*	5/2008	Hoge	.....	D3/273
D685,178 S	*	7/2013	Lv	.....	D3/206
D721,231 S	*	1/2015	Steele	.....	D3/282
D740,559 S	*	10/2015	Steele	.....	D3/281
D834,819 S	*	12/2018	Burek	.....	D3/294

\* cited by examiner

**1 Claim, 8 Drawing Sheets**



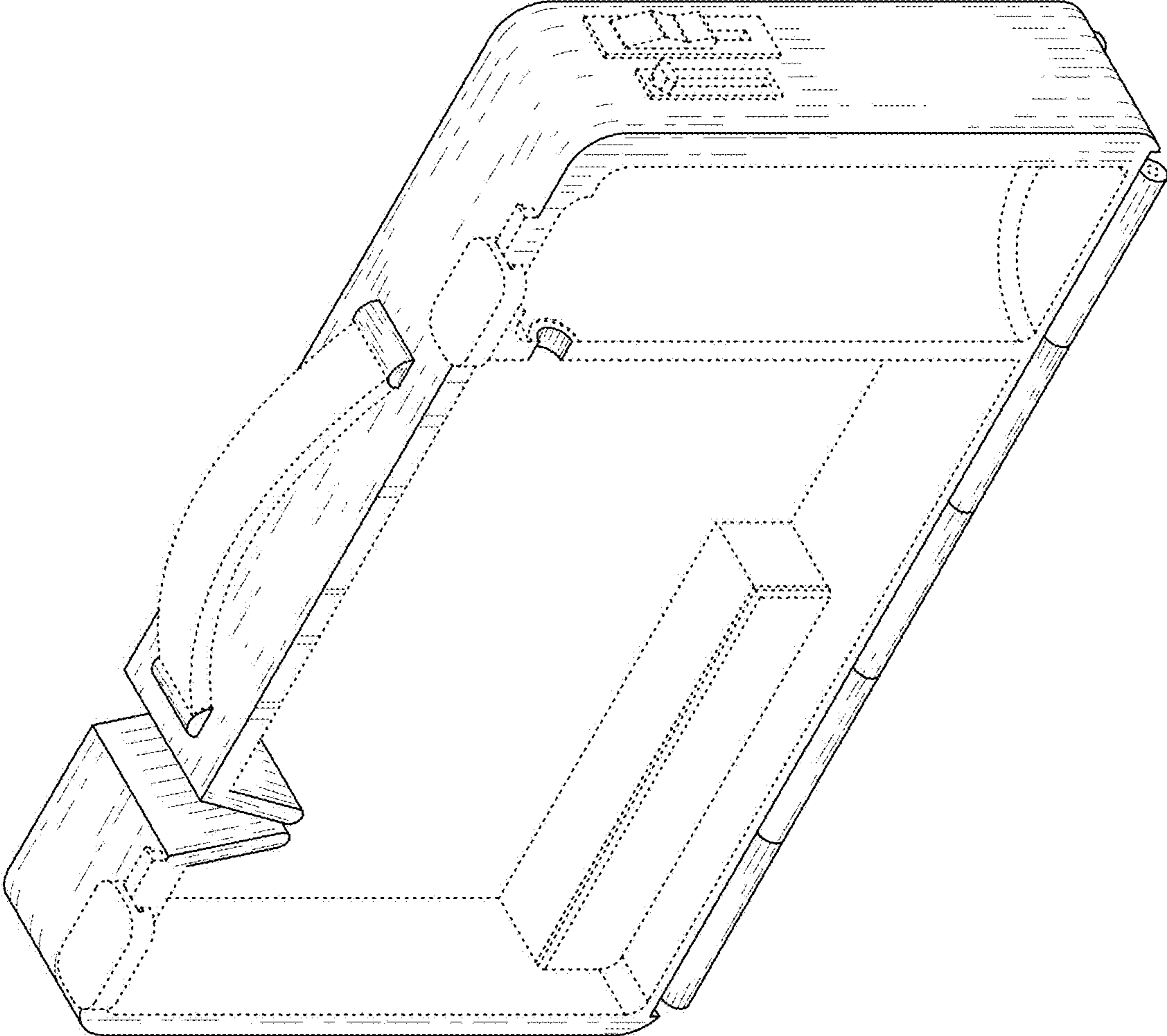


FIG. 1

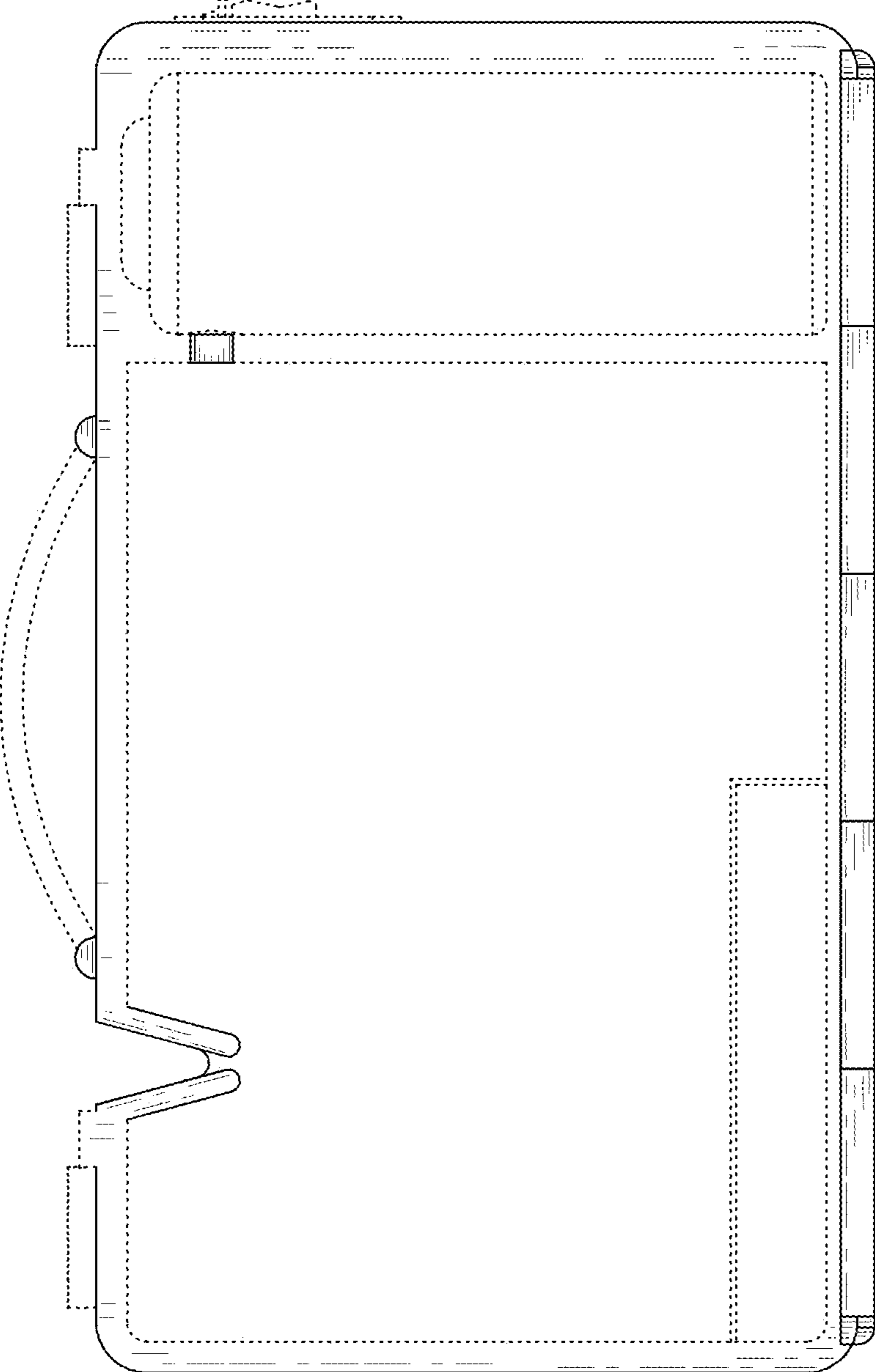


FIG. 2

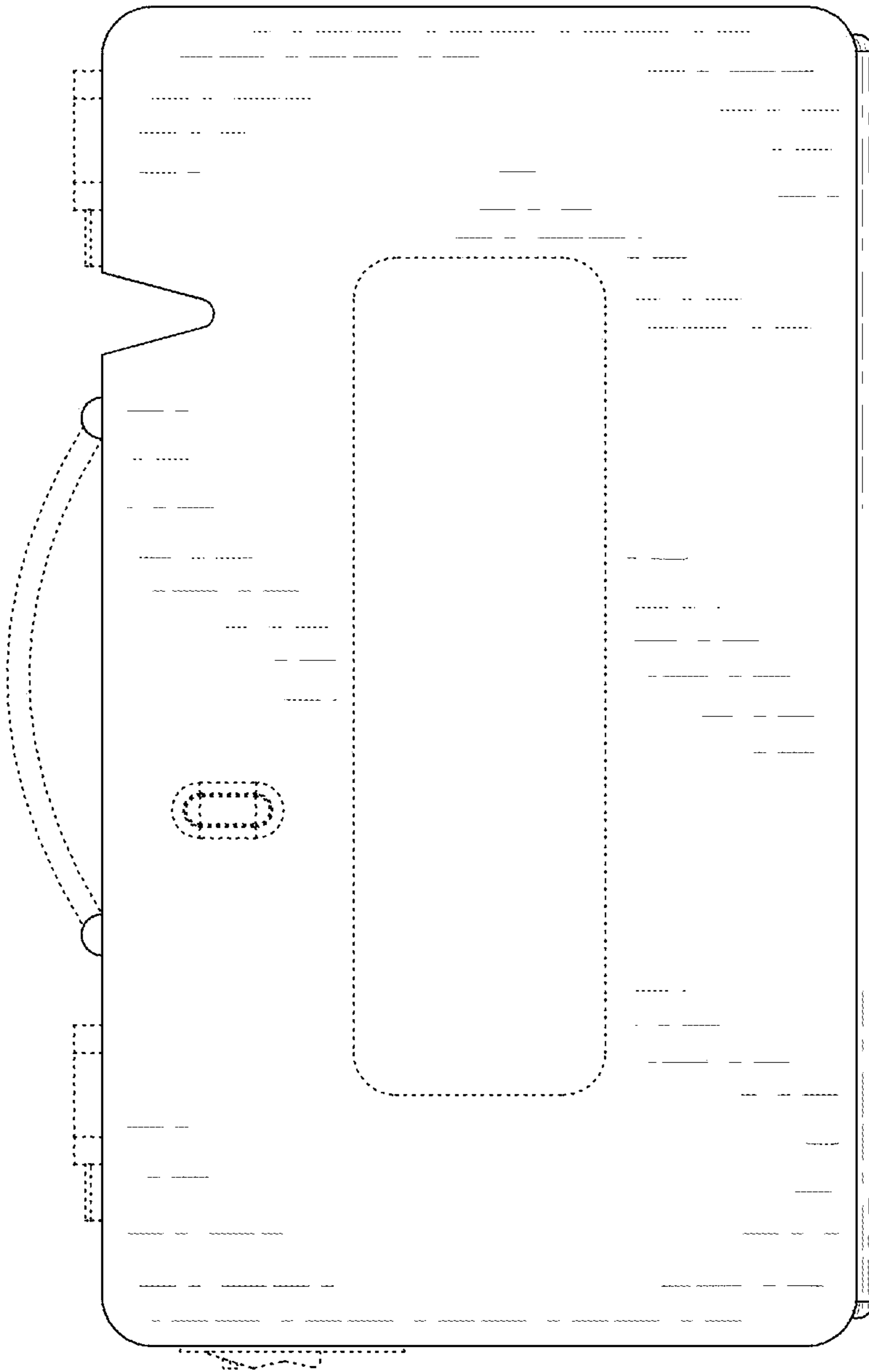


FIG. 3

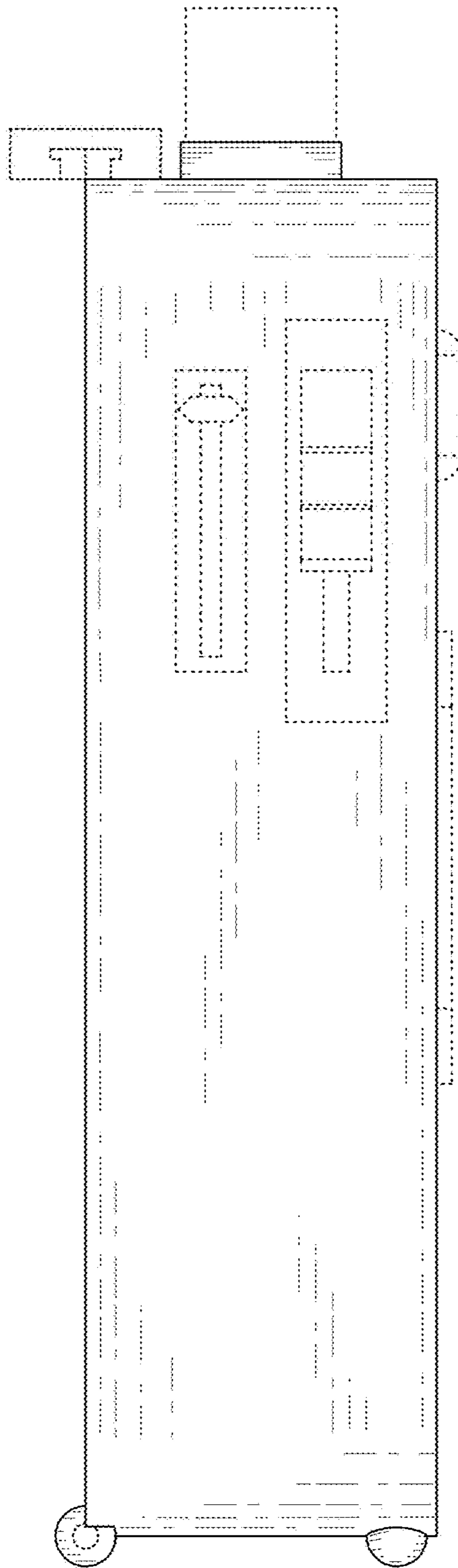


FIG. 4



FIG. 5

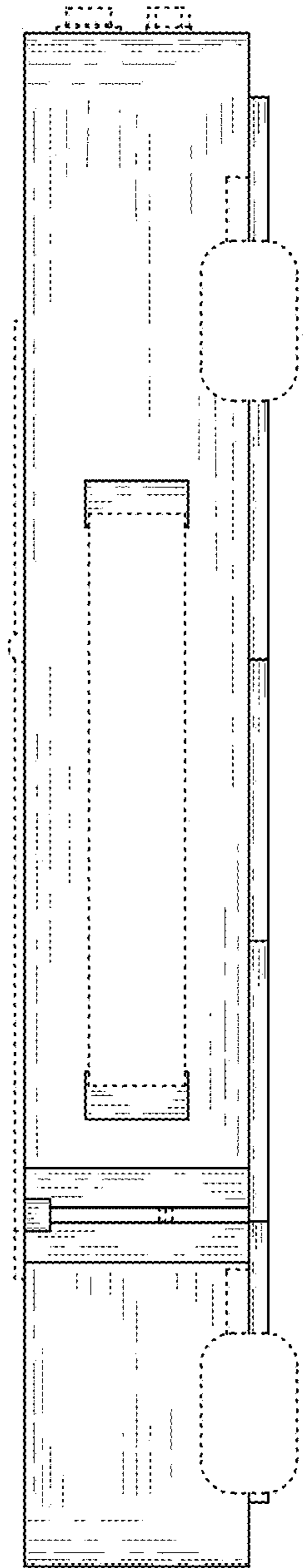


FIG. 6

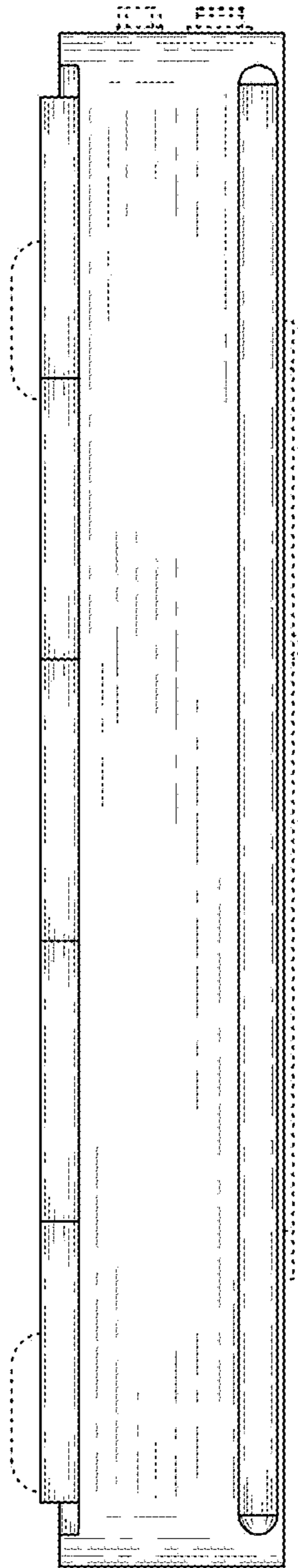
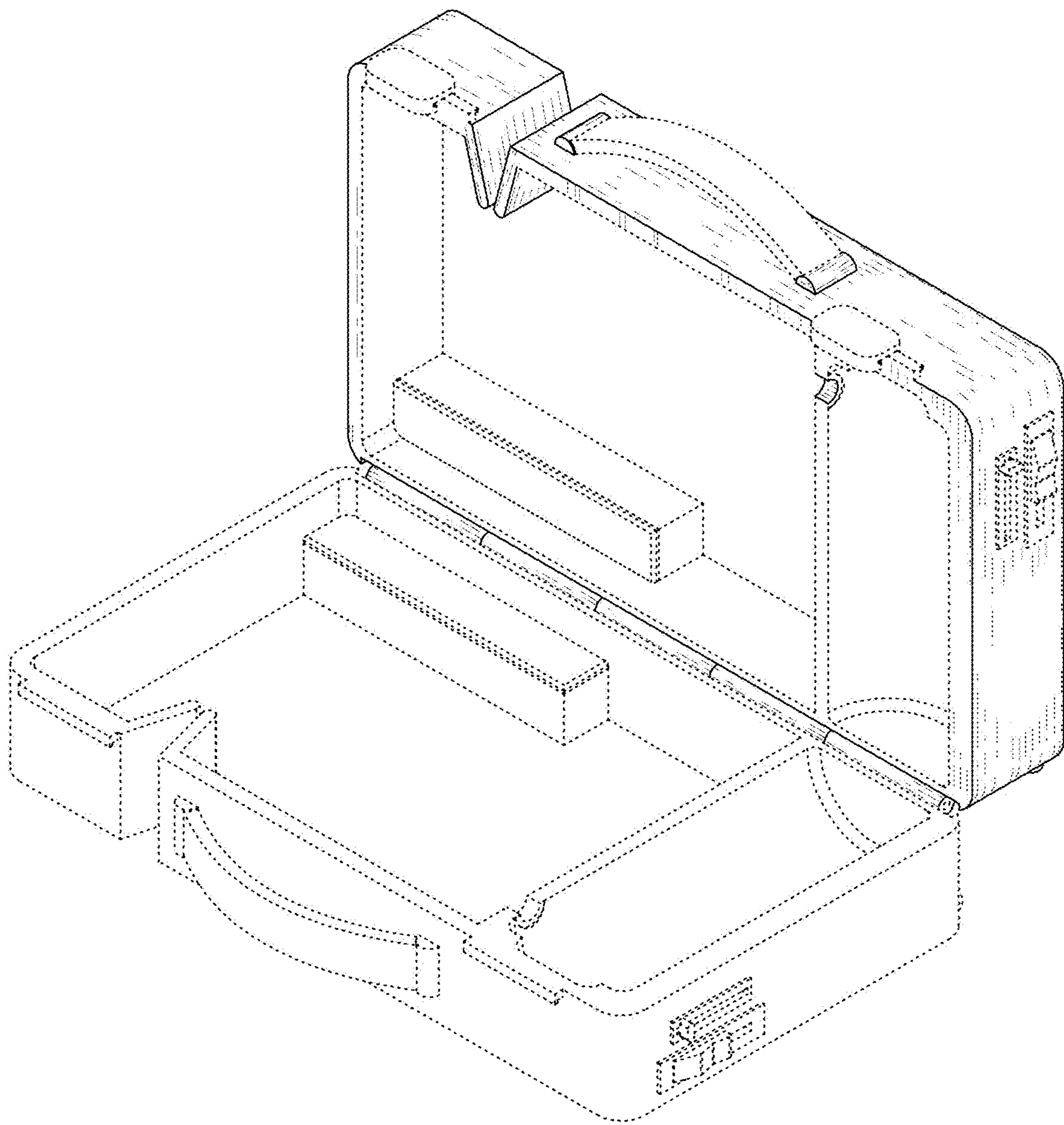


FIG. 7





**FIG. 8**