



US00D887713S

(12) **United States Design Patent**
Marshall

(10) **Patent No.:** **US D887,713 S**
(45) **Date of Patent:** **** Jun. 23, 2020**

(54) **GOLF BAG TOP CUFF**

D715,055 S * 10/2014 Bruce D3/255
D824,669 S * 8/2018 Collette D3/255
D858,104 S * 9/2019 Maki D3/318

(71) Applicant: **Acushnet Company**, Fairhaven, MA
(US)

* cited by examiner

(72) Inventor: **Duane Marshall**, East Greenwich, RI
(US)

Primary Examiner — Holly H Baynham

(74) *Attorney, Agent, or Firm* — Kristin D. Wheeler

(73) Assignee: **Acushnet Company**, Fairhaven, MA
(US)

(**) Term: **15 Years**

(21) Appl. No.: **29/676,822**

(22) Filed: **Jan. 15, 2019**

(51) **LOC (12) Cl.** **03-01**

(52) **U.S. Cl.**

USPC **D3/318**; D3/255

(58) **Field of Classification Search**

USPC D3/255, 318

CPC A63B 55/00; A63B 55/008; A63B 57/00

See application file for complete search history.

(56) **References Cited**

U.S. PATENT DOCUMENTS

6,513,653	B1	2/2003	Chen	
D489,532	S	5/2004	Reimers	
D517,808	S	3/2006	Reimers	
D632,890	S	2/2011	Reimers	
D654,268	S *	2/2012	Boncimino D3/255
D669,266	S	10/2012	Loudenslager et al.	
8,365,908	B2 *	2/2013	Shiao A63B 55/53 206/315.7
8,590,702	B2 *	11/2013	Lai A63B 55/00 206/315.7
8,616,369	B2 *	12/2013	Campbell A63B 55/00 206/315.7

(57) **CLAIM**

The ornamental design for a golf bag top cuff, as shown and described.

DESCRIPTION

FIG. 1 is a perspective view of the golf bag top cuff of this invention;

FIG. 2 is a rear view of the golf bag top cuff of this invention;

FIG. 3 is a first side view of the golf bag top cuff of this invention;

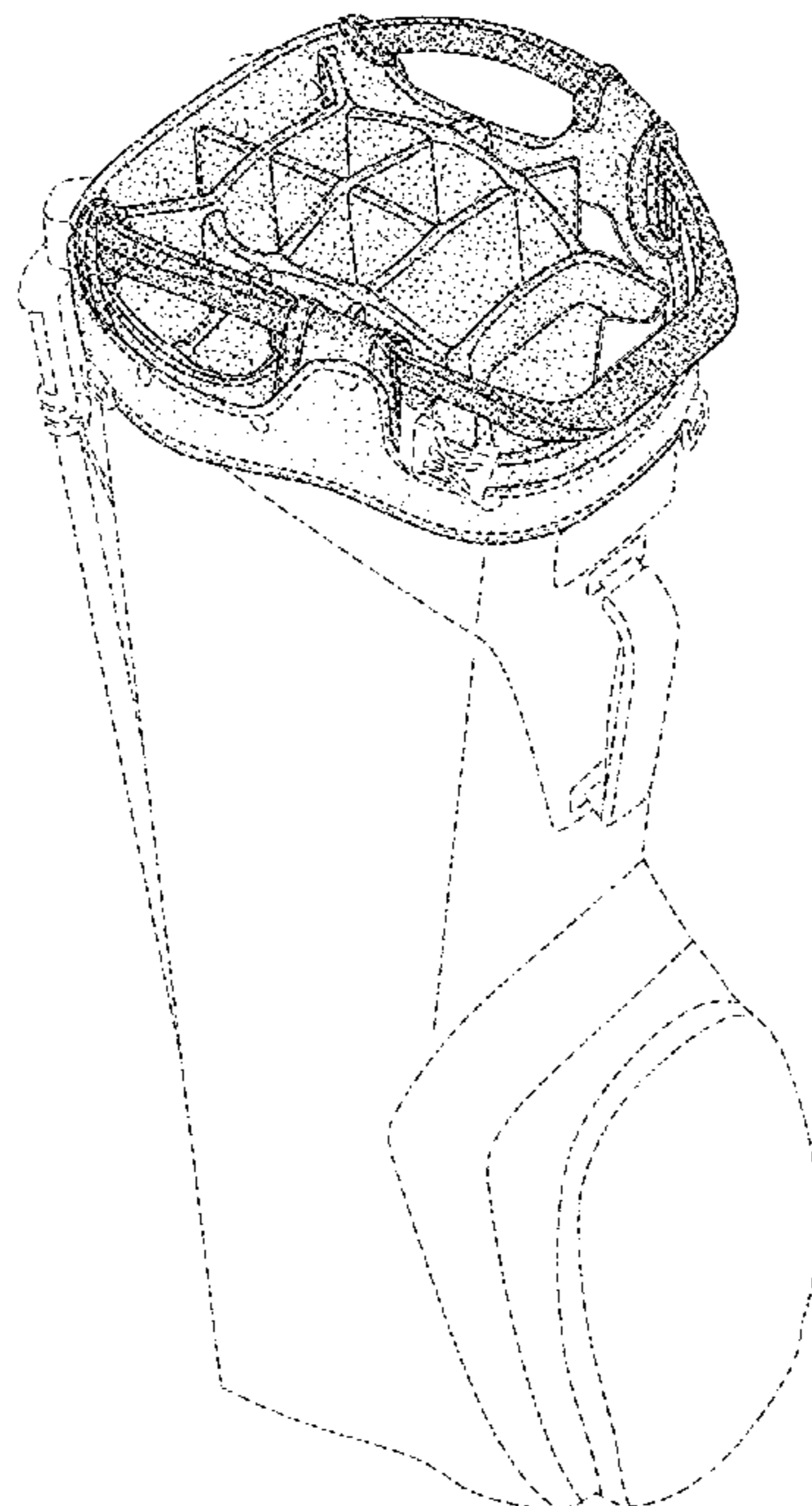
FIG. 4 is a front view of the golf bag top cuff of this invention;

FIG. 5 is a second side view of the golf bag top cuff of this invention; and,

FIG. 6 is a top plan view of the golf bag top cuff of this invention.

In FIGS. 1-6, the broken lines depict unclaimed portions of the golf bag. The broken lines visible on the surface of the top cuff of the golf bag in FIGS. 1-6 represent claimed stitching. The dot-dashed boundary line visible in FIGS. 1 and 6 represents the bounds of the claim none of the broken lines disclosed are part of the claimed design.

1 Claim, 4 Drawing Sheets



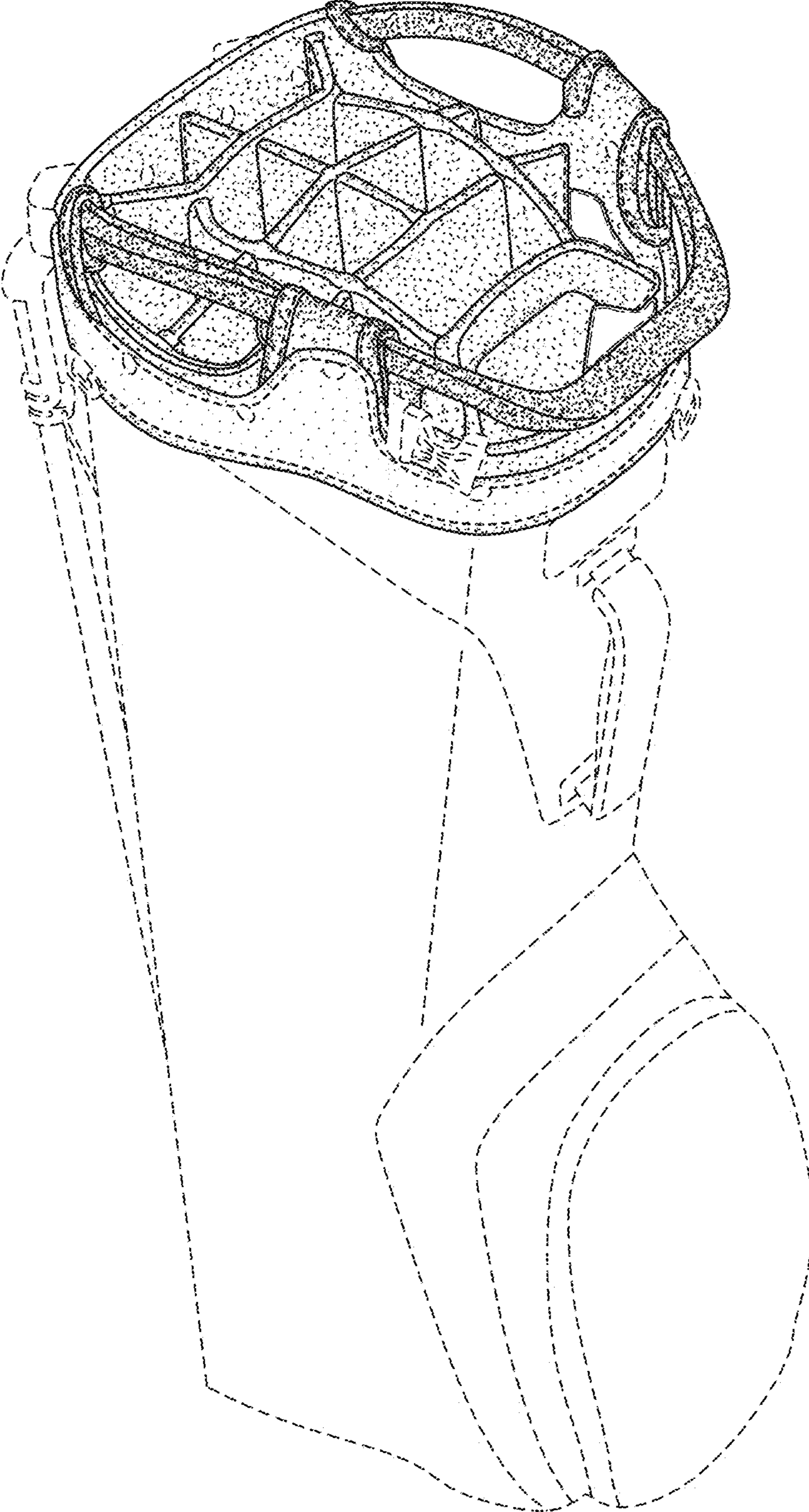


FIG. 1

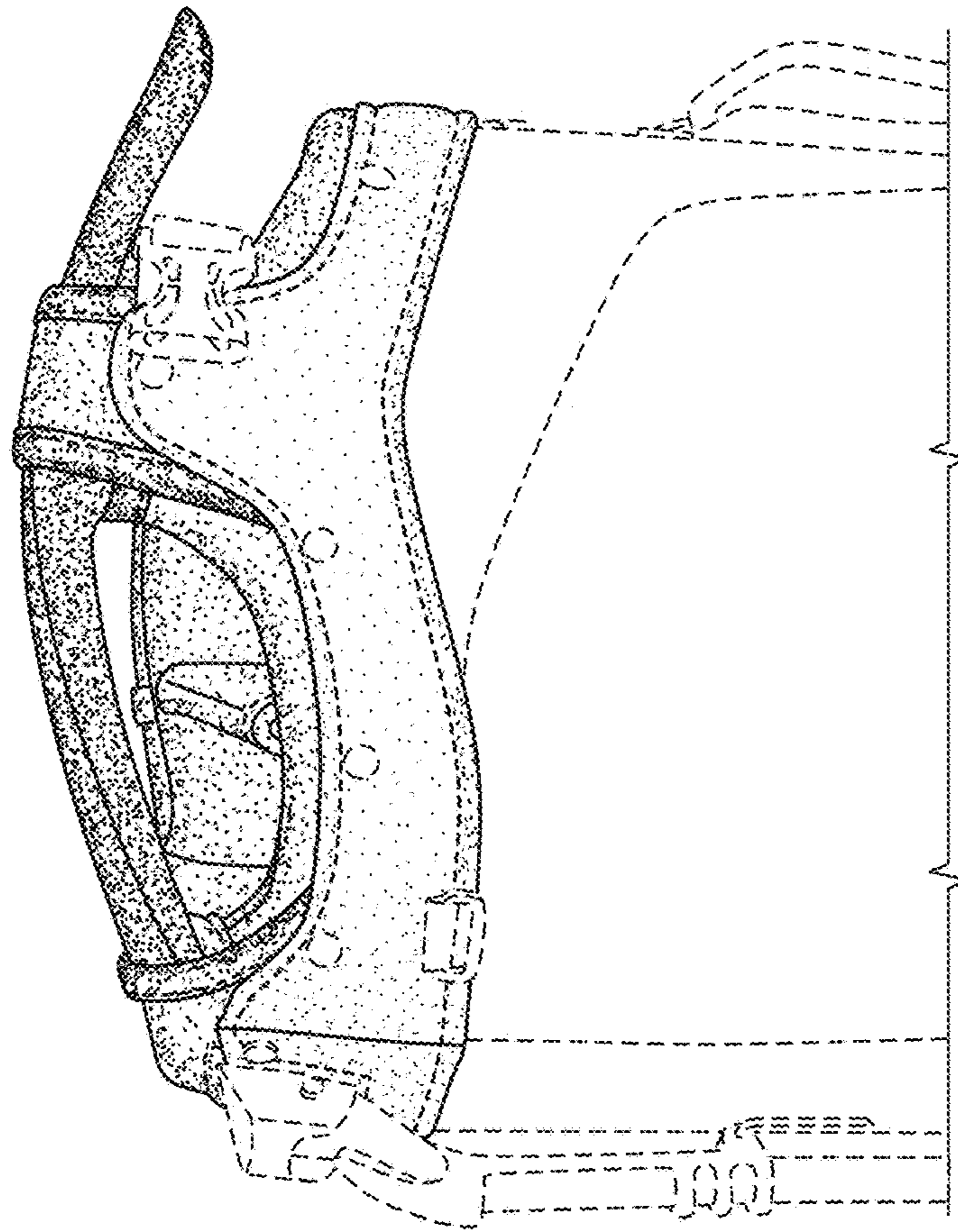


FIG. 3

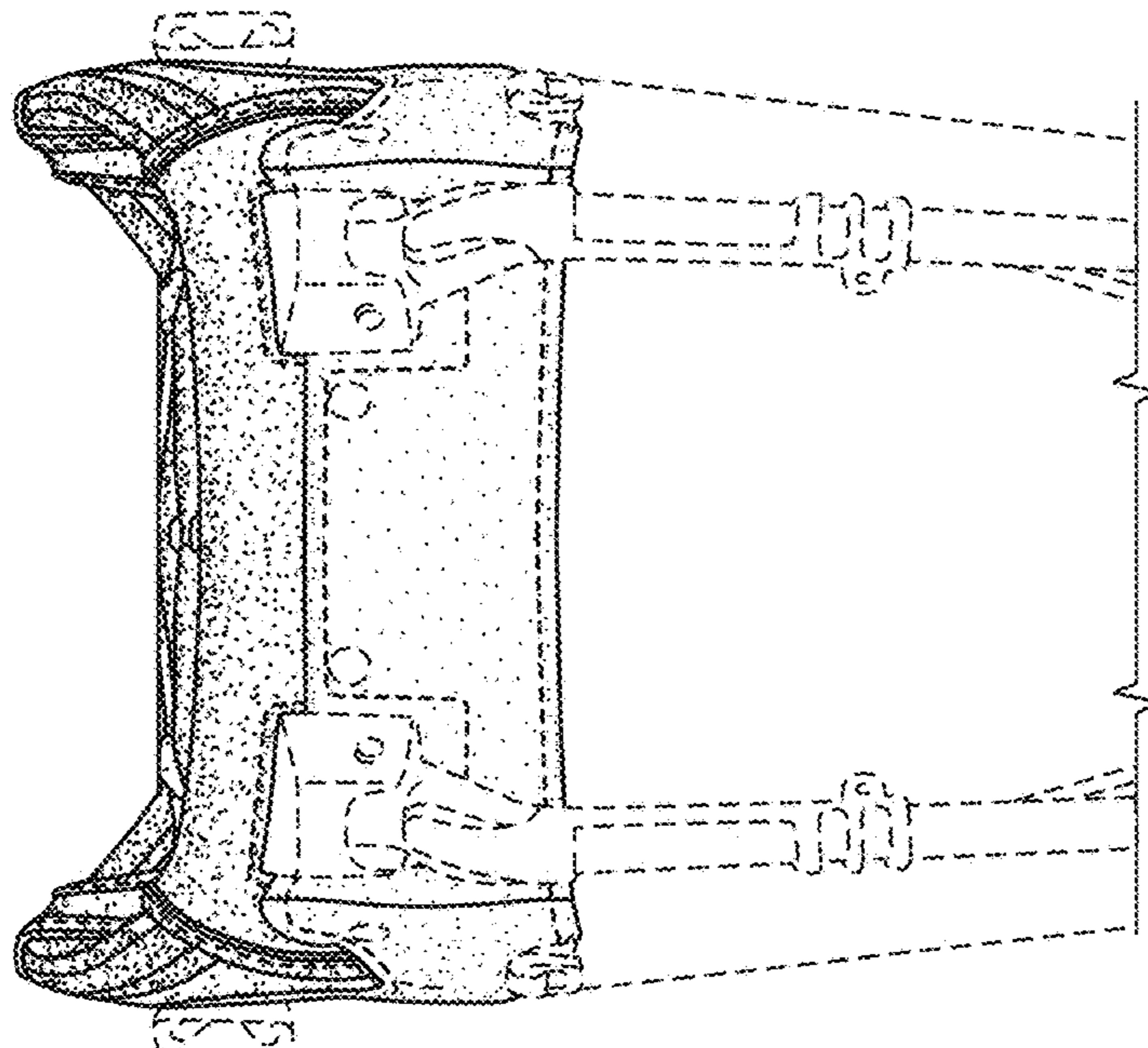


FIG. 2

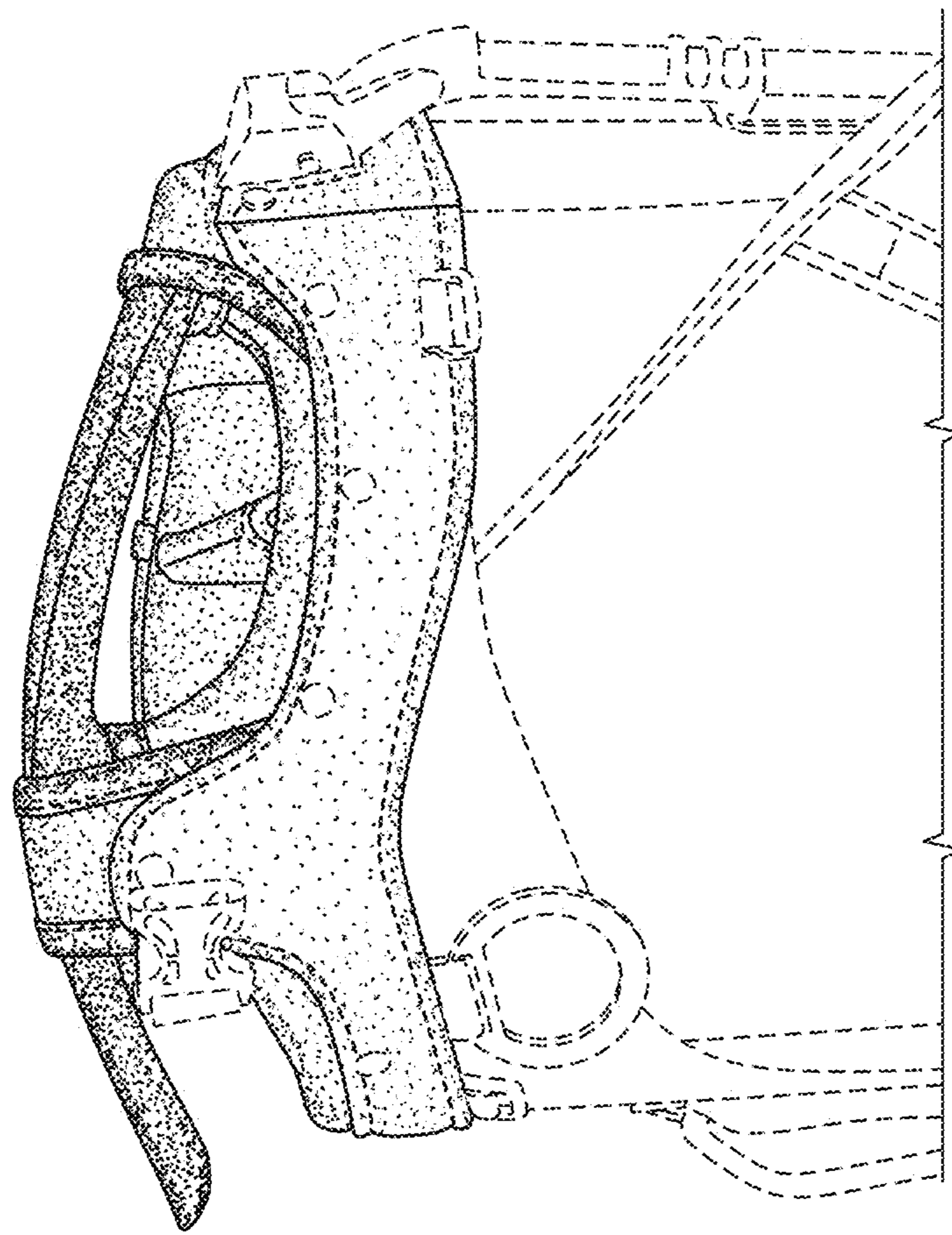


FIG. 5

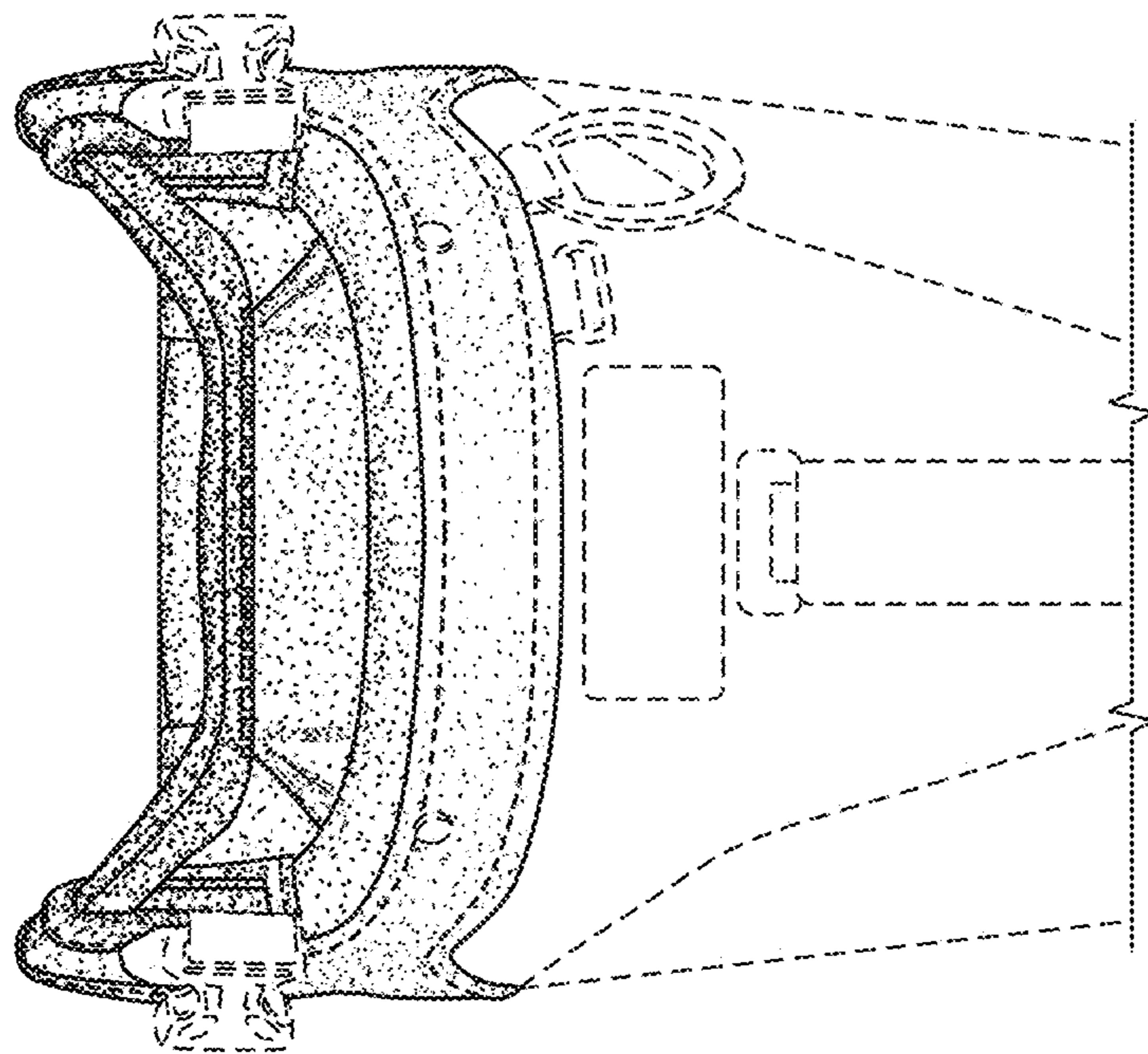


FIG. 4

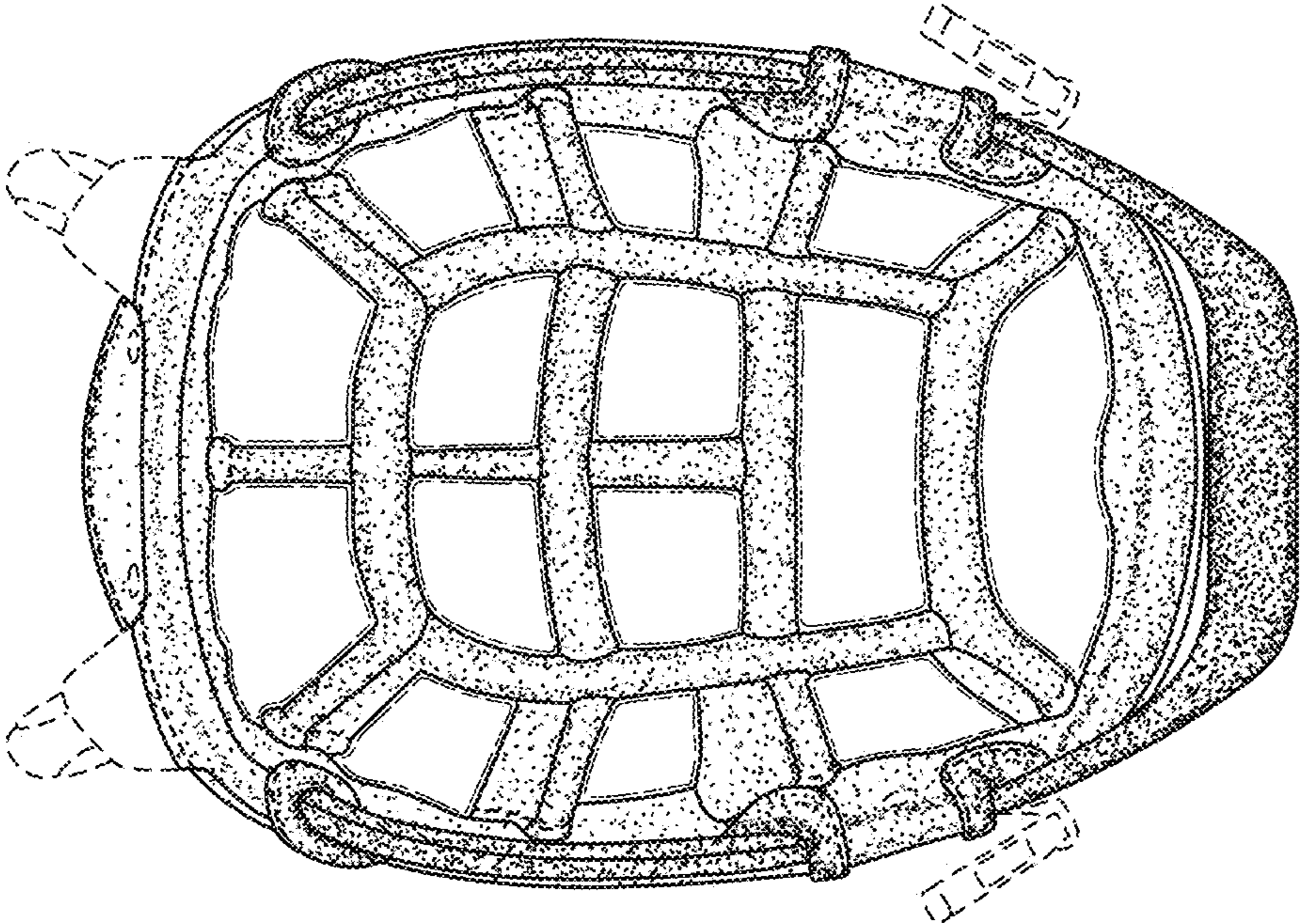


FIG. 6