



US00D887711S

(12) **United States Design Patent**
Kukucka et al.

(10) **Patent No.:** **US D887,711 S**
(45) **Date of Patent:** **** Jun. 23, 2020**

(54) **ELONGATED CHANNEL BODY OF A TOOL HOLDING DEVICE**

(71) Applicant: **GRIP HOLDINGS LLC**, Brandon, FL (US)

(72) Inventors: **Paul Kukucka**, Brandon, FL (US);
Thomas Stefan Kukucka, Brandon, FL (US)

(73) Assignee: **GRIP HOLDINGS LLC**, Brandon, FL (US)

(**) Term: **15 Years**

(21) Appl. No.: **29/710,567**

(22) Filed: **Oct. 24, 2019**

(51) **LOC (12) Cl.** **03-01**

(52) **U.S. Cl.**
USPC **D3/312**

(58) **Field of Classification Search**
USPC D3/226, 228, 245, 246, 283–284,
D3/303–304, 308, 313, 315, 319, 328;
D6/515, 567, 574, 675, 682, 682.1;
D8/349, 354, 373, 376
CPC B25H 3/003; B25H 3/006; B25H 3/06;
B25F 25/006; B25F 5/02; B25F 5/021;
B25B 29/00; B25B 33/00
See application file for complete search history.

(56) **References Cited**

U.S. PATENT DOCUMENTS

- 3,033,638 A * 5/1962 Tomlinson A47B 88/49
312/334.8
- D231,326 S * 4/1974 Kiyotsune D8/377
- D251,071 S * 2/1979 Brady D25/119
- 4,696,582 A * 9/1987 Kasten A47B 88/493
384/18
- 4,826,021 A 5/1989 Urrell

- D322,486 S * 12/1991 Westphal D25/122
- 5,228,570 A 7/1993 Robinson
- D345,427 S * 3/1994 Moss D25/119
- 5,467,874 A 11/1995 Whitaker
- 5,507,571 A * 4/1996 Hoffman A47B 88/493
312/334.16
- 5,645,177 A 7/1997 Lin
- D426,649 S * 6/2000 Siudzinski D25/124
- 6,092,655 A 7/2000 Ernst
- D429,532 S * 8/2000 Siudzinski D25/124
- 6,119,878 A * 9/2000 Zen A47F 5/0846
211/57.1
- D439,461 S * 3/2001 Brunell D6/580
- 6,386,363 B1 5/2002 Huang
- 6,435,636 B1 * 8/2002 MacMillan A47B 88/467
312/333

(Continued)

Primary Examiner — Kelley A Donnelly

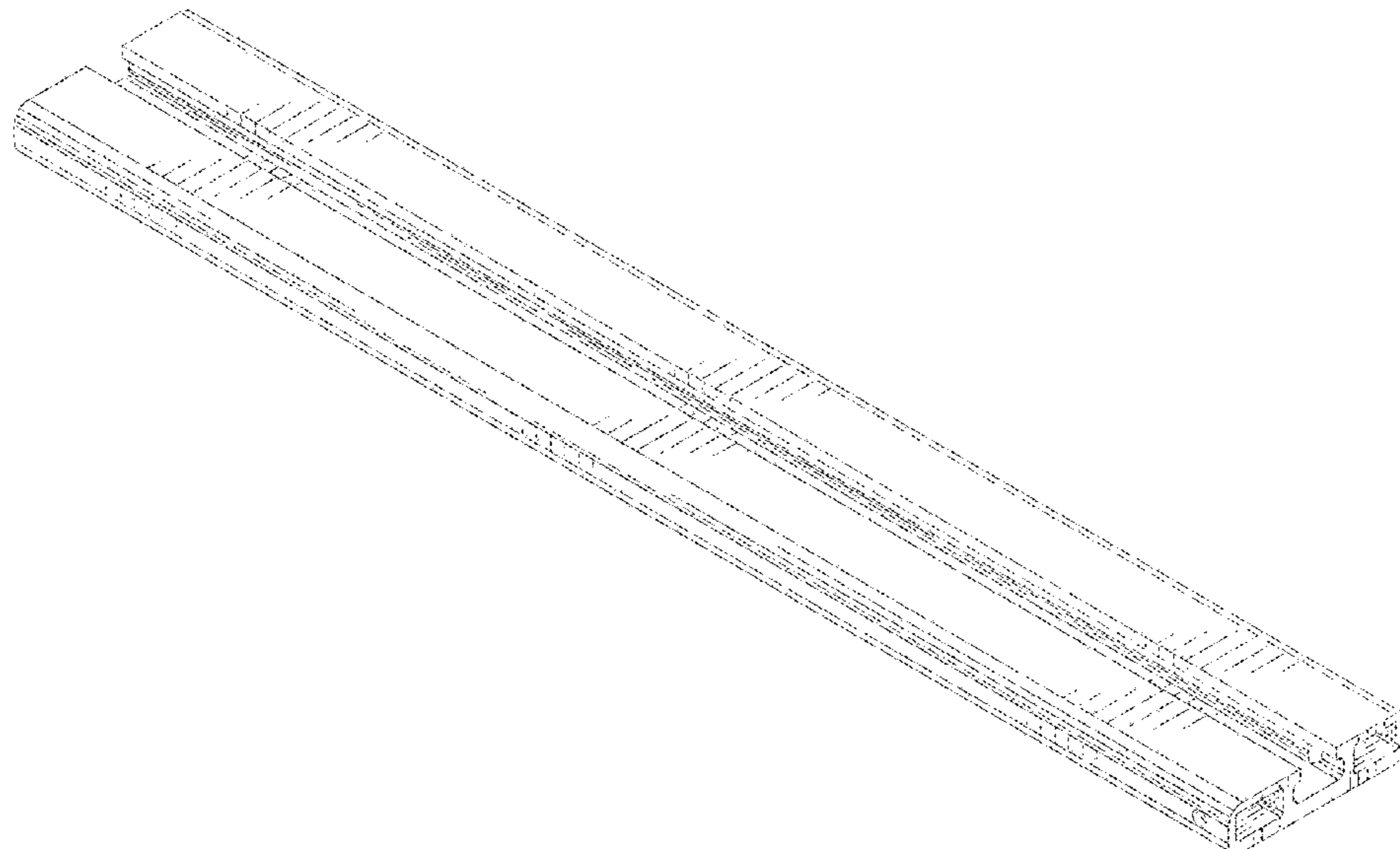
(57) **CLAIM**

The ornamental design for an elongated channel body of a tool holding device, as shown and described.

DESCRIPTION

FIG. 1 is a top perspective view of an elongated channel body of a tool holding device;
 FIG. 2 is a bottom perspective view thereof;
 FIG. 3 is a front elevational view thereof;
 FIG. 4 is a rear elevational view thereof;
 FIG. 5 is a right-side elevational view thereof;
 FIG. 6 is a left-side elevational view thereof;
 FIG. 7 is a top plan view thereof;
 FIG. 8 is a bottom plan view thereof; and,
 FIG. 9 is an exploded top perspective view thereof, showing a twist knob of a tool holding device that is configured to engaged with a central channel of the elongated channel body of a tool holding device.
 The broken line showing of the twist knob in FIG. 9 is included for the purpose of showing environmental structure and forms no part of the claimed design.

1 Claim, 9 Drawing Sheets



(56)

References Cited

U.S. PATENT DOCUMENTS

D473,664 S * 4/2003 Perkins D25/138
 6,637,605 B2 10/2003 Ernst
 D489,828 S * 5/2004 Barnett D25/119
 D496,248 S * 9/2004 Liebendorfer D8/354
 D520,148 S * 5/2006 Kendall D25/138
 D539,230 S * 3/2007 Jordan D13/155
 D546,479 S * 7/2007 Aughton D25/119
 D547,885 S * 7/2007 Aughton D25/119
 D549,995 S * 9/2007 Guiles D25/119
 D629,987 S * 12/2010 D'Ulisse D32/58
 D666,323 S * 8/2012 Morton D25/119
 D669,769 S * 10/2012 Lapping D25/122
 8,381,905 B1 2/2013 Kao
 8,998,355 B2 * 4/2015 Hunter A47B 88/90
 312/334.1
 D732,703 S * 6/2015 Kreutzman D25/122
 D736,522 S * 8/2015 Hsieh D3/313
 D748,395 S 2/2016 Hsieh
 D787,185 S * 5/2017 Hsieh D3/313
 9,661,925 B2 * 5/2017 Uffner A47B 88/493
 D789,180 S * 6/2017 Webb D8/354
 D800,347 S * 10/2017 Blick D25/119

D803,566 S 11/2017 Hsieh
 D839,081 S * 1/2019 Iellimo D8/354
 D845,511 S * 4/2019 Bizzarri D25/38.1
 D855,445 S * 8/2019 Moris D8/374
 D855,551 S * 8/2019 Shen D12/412
 D861,576 S * 10/2019 Cropley D12/412
 D867,087 S * 11/2019 Kao D8/71
 D870,635 S * 12/2019 Keen D12/221
 D874,025 S * 1/2020 Kittur D25/119
 2003/0209959 A1 * 11/2003 Shih-Long A47B 88/49
 312/334.46
 2004/0174102 A1 * 9/2004 Chen A47B 88/487
 312/334.46
 2006/0091771 A1 * 5/2006 Teskey A47B 88/49
 312/334.44
 2008/0035281 A1 * 2/2008 Kirby E06B 9/42
 160/265
 2009/0284115 A1 * 11/2009 Huang A47B 88/493
 312/334.44
 2013/0077900 A1 * 3/2013 Lowe A47B 88/493
 384/18
 2013/0193824 A1 * 8/2013 Koenig A47B 88/493
 312/334.11
 2019/0299376 A1 * 10/2019 Hsieh B25B 23/1427

* cited by examiner

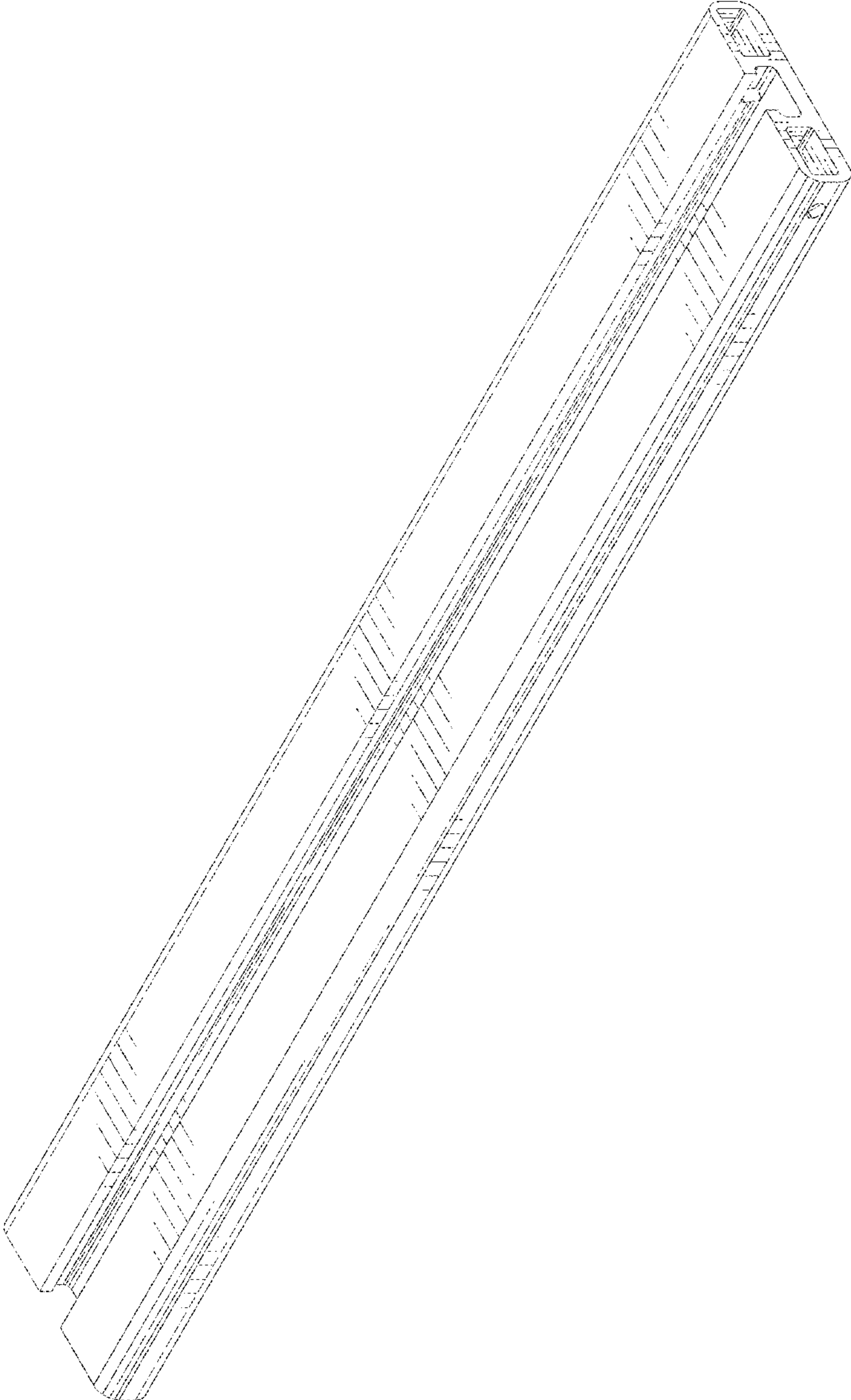


FIG. 1

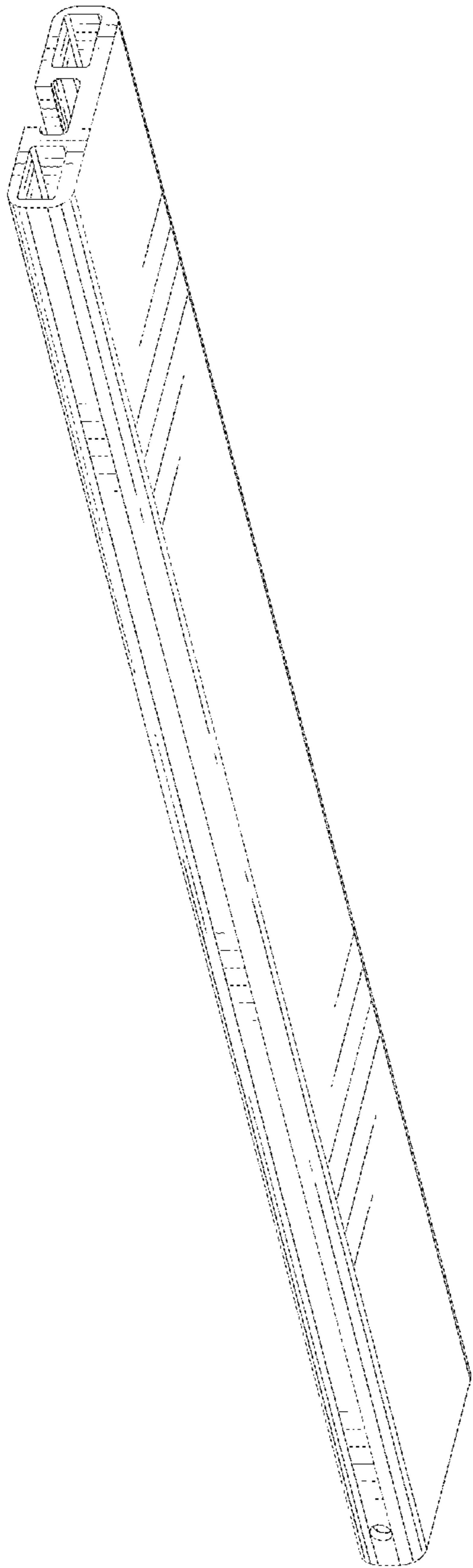


FIG. 2

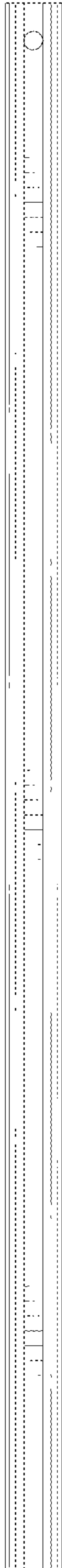


FIG. 3

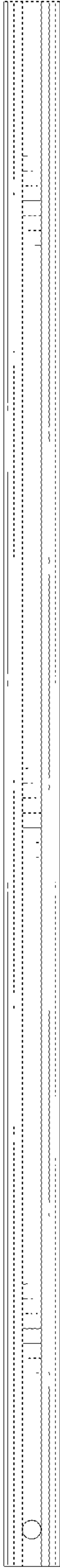


FIG. 4

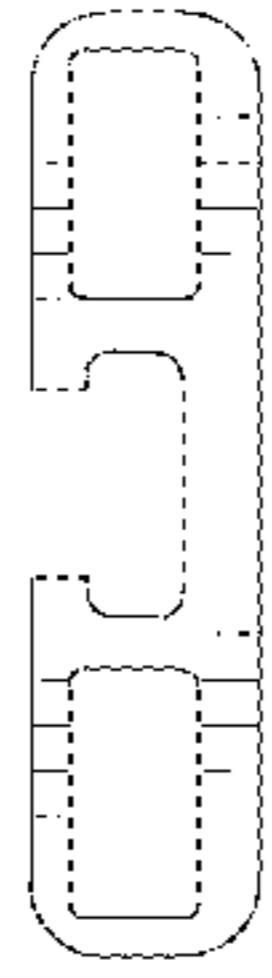


FIG. 5

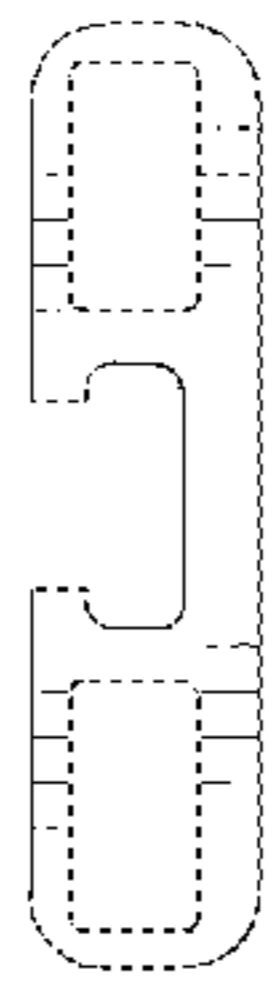


FIG. 6

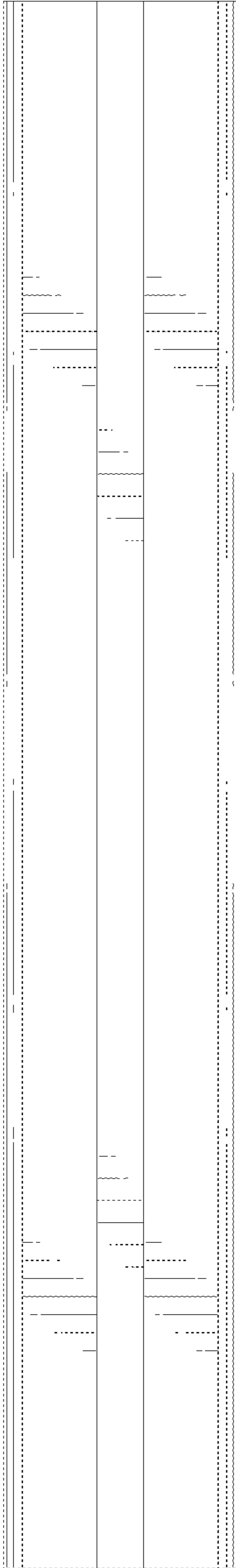


FIG. 7

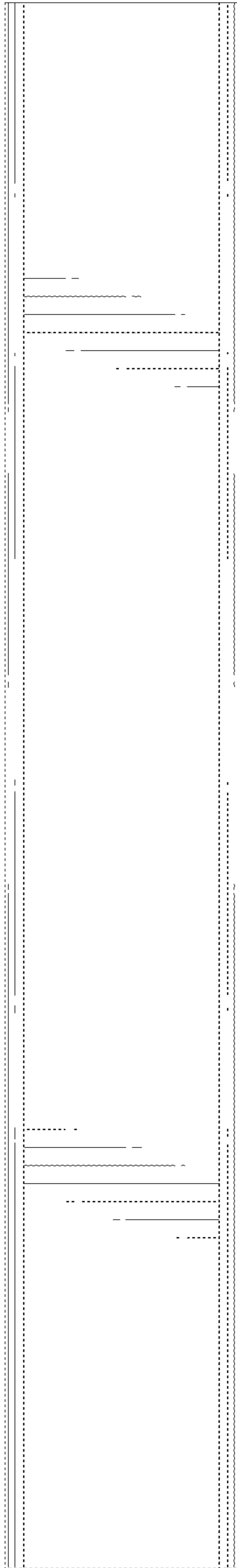


FIG. 8

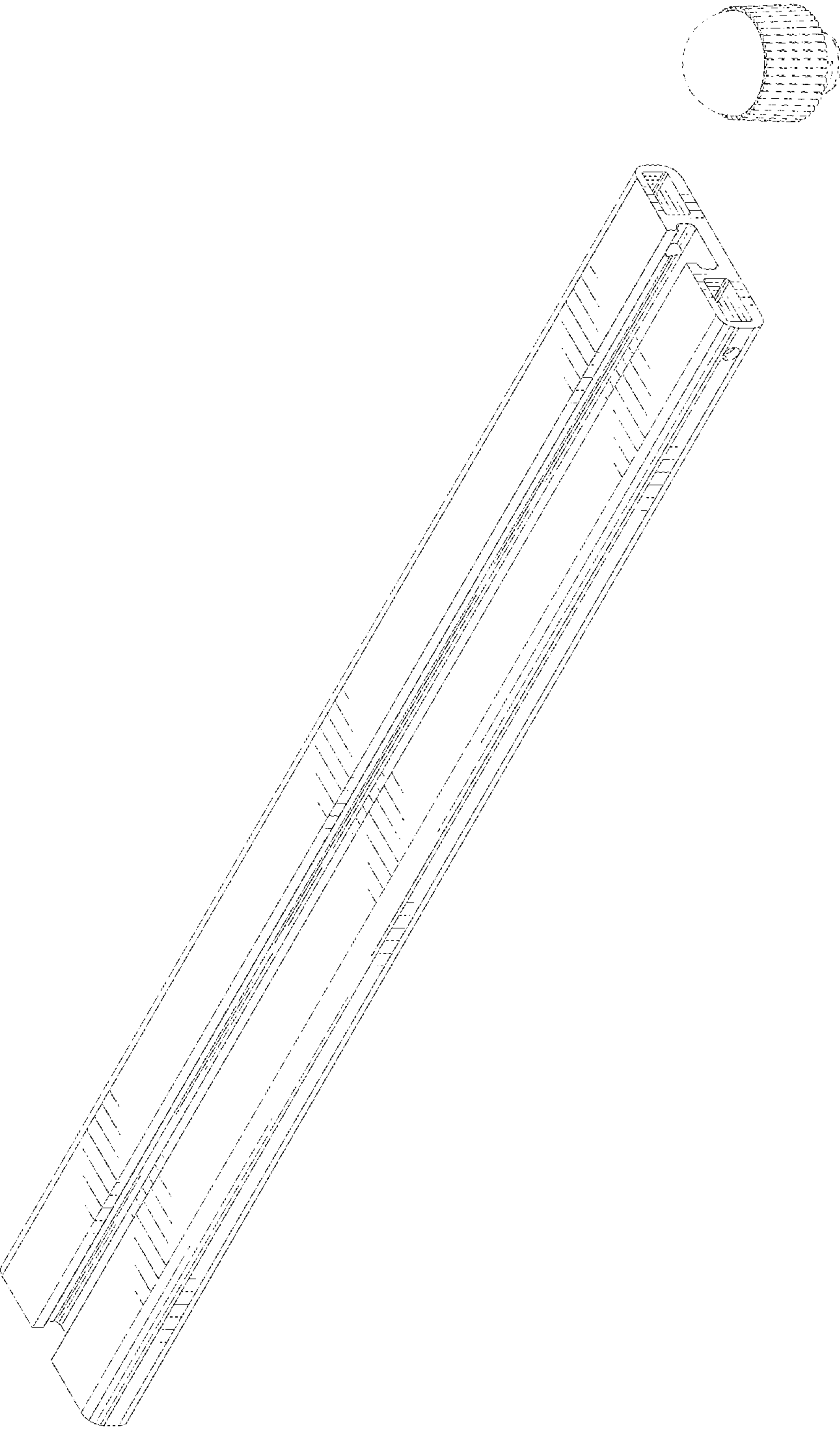


FIG. 9