



US00D887708S

(12) **United States Design Patent**
Tran et al.

(10) **Patent No.:** **US D887,708 S**
(45) **Date of Patent:** **** Jun. 23, 2020**

(54) **WALLET**

(71) Applicants: **Thuan Tran**, Santa Clara, CA (US);
Charlie Carroll, Palo Alto, CA (US);
Binh Tran, Santa Clara, CA (US)

(72) Inventors: **Thuan Tran**, Santa Clara, CA (US);
Charlie Carroll, Palo Alto, CA (US);
Binh Tran, Santa Clara, CA (US)

(**) Term: **15 Years**

(21) Appl. No.: **29/679,715**

(22) Filed: **Feb. 8, 2019**

(51) **LOC (12) Cl.** **03-01**

(52) **U.S. Cl.**
USPC **D3/247**

(58) **Field of Classification Search**
USPC D3/247, 249–253
CPC A45C 1/06; A45C 3/08
See application file for complete search history.

(56) **References Cited**

U.S. PATENT DOCUMENTS

D690,931 S	*	10/2013	Minn	D3/247
D695,013 S	*	12/2013	Minn	D3/247
D768,383 S	*	10/2016	Wu	D3/247
D775,824 S	*	1/2017	King	D3/247
D780,449 S	*	3/2017	King	D3/247

D798,591 S	*	10/2017	King	D3/247
D806,386 S	*	1/2018	King	D3/247
D814,182 S	*	4/2018	Haarburger	D3/247
D814,183 S	*	4/2018	Haarburger	D3/247
D817,316 S	*	5/2018	Srour	D14/251
10,080,409 B2	*	9/2018	King	A45C 11/182
D831,349 S	*	10/2018	Deng	D3/247
D835,410 S	*	12/2018	Chan	D3/247

* cited by examiner

Primary Examiner — Holly H Baynham
(74) *Attorney, Agent, or Firm* — Patent Law Office
www.patentoffice.io; Bao Tran

(57) **CLAIM**

The ornamental design for a wallet, as shown and described.

DESCRIPTION

FIG. 1 is a front view of a wallet;
FIG. 2 is a back view thereof;
FIG. 3 is an enlarged top view thereof;
FIG. 4 is a bottom view thereof;
FIG. 5 is a left side view thereof;
FIG. 6 is a right side view thereof;
FIG. 7 is a reduced scale, top perspective view thereof; and,
FIG. 8 is a bottom perspective view thereof.

1 Claim, 4 Drawing Sheets

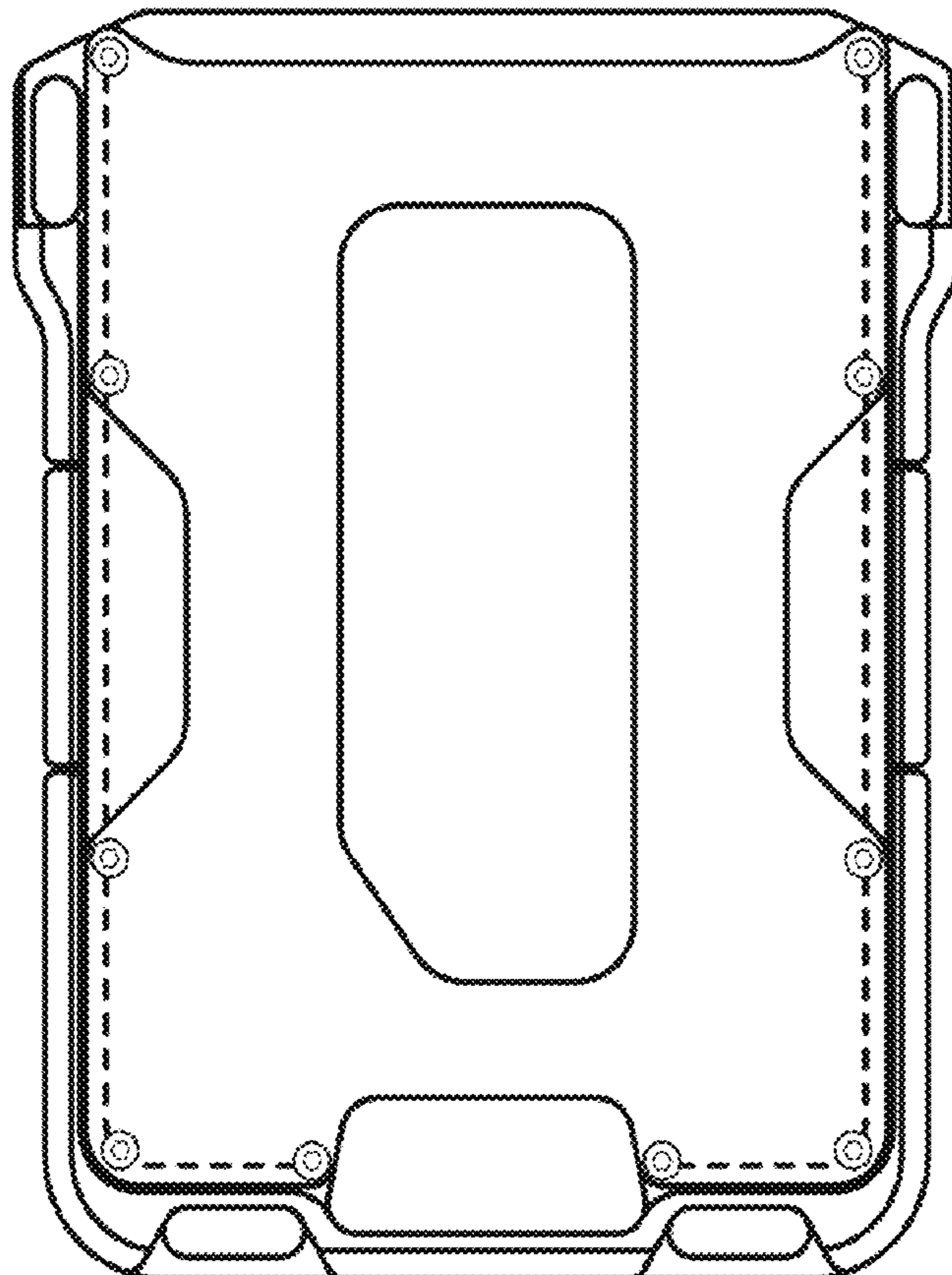


FIG. 1

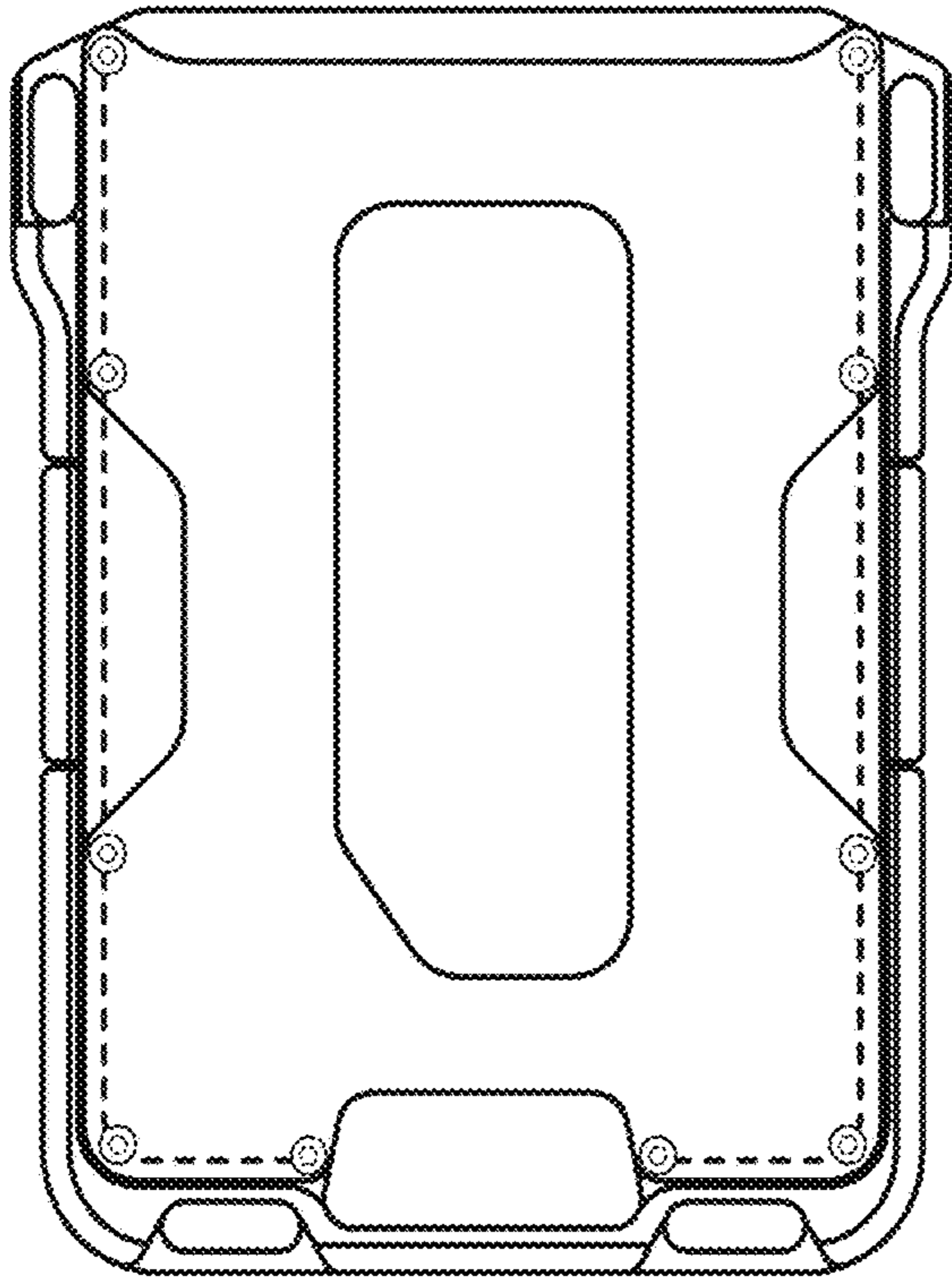


FIG. 2

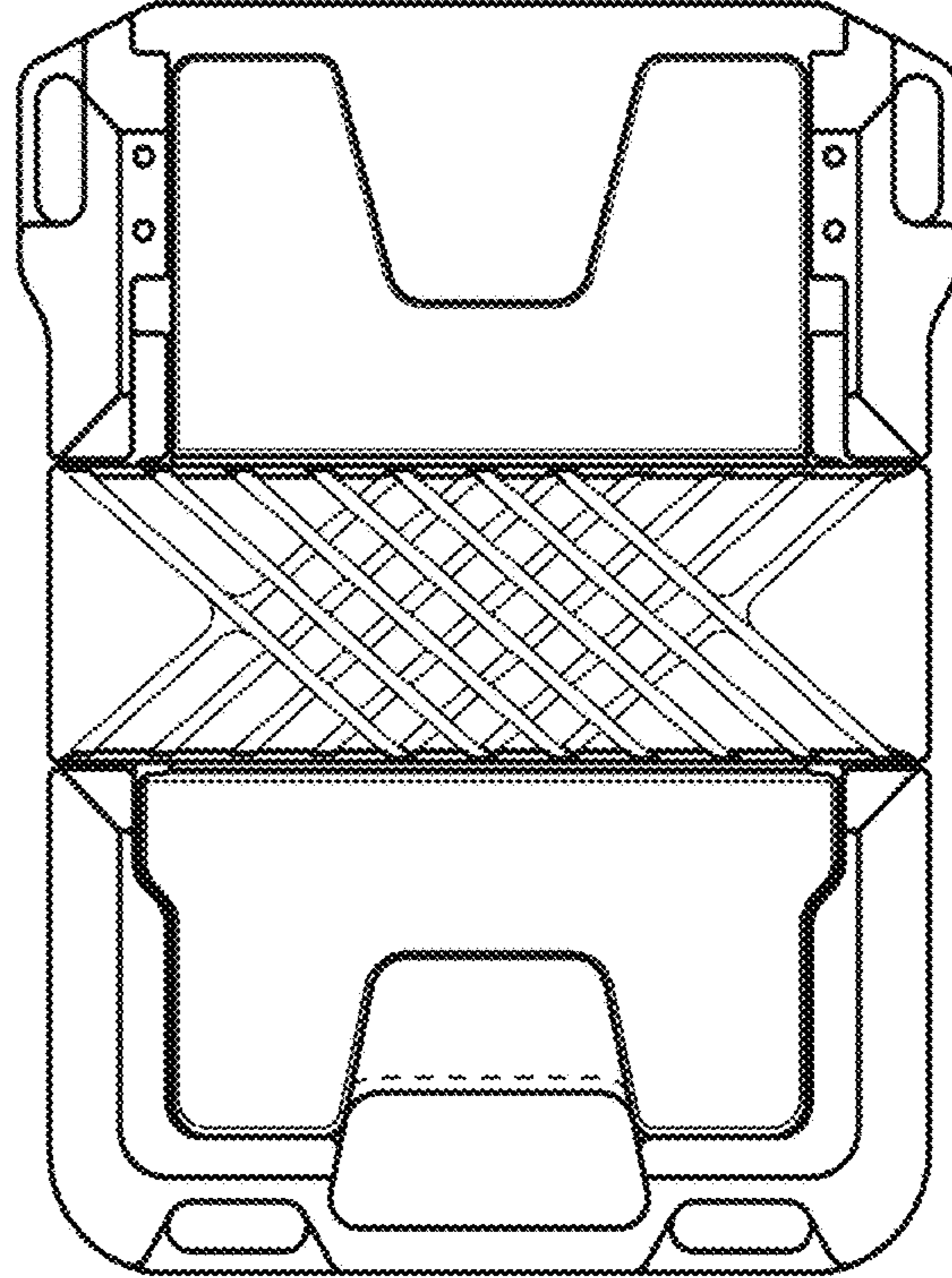


FIG. 3

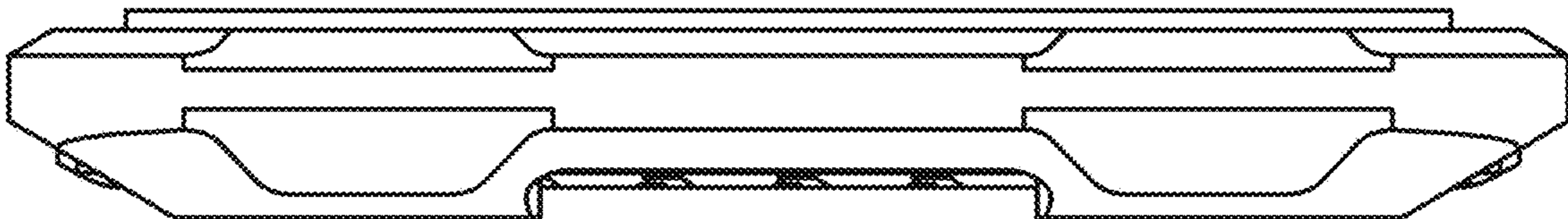


FIG. 4



FIG. 5

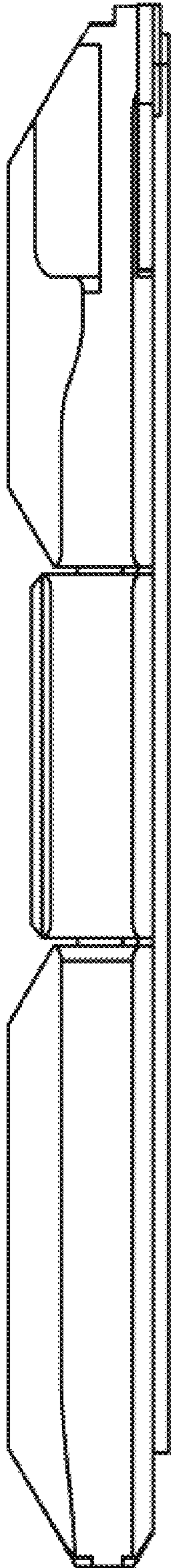


FIG. 6

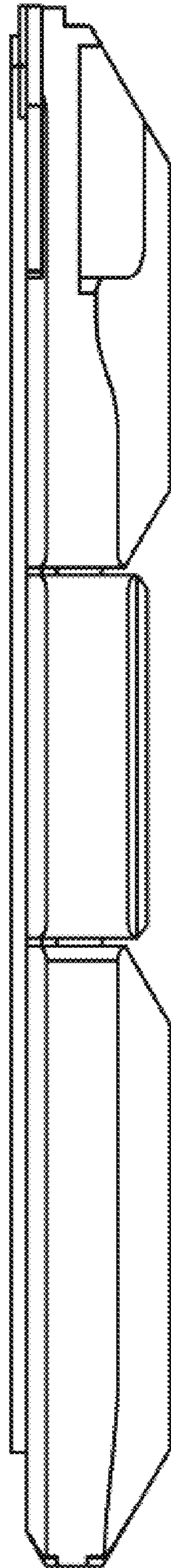


FIG. 7

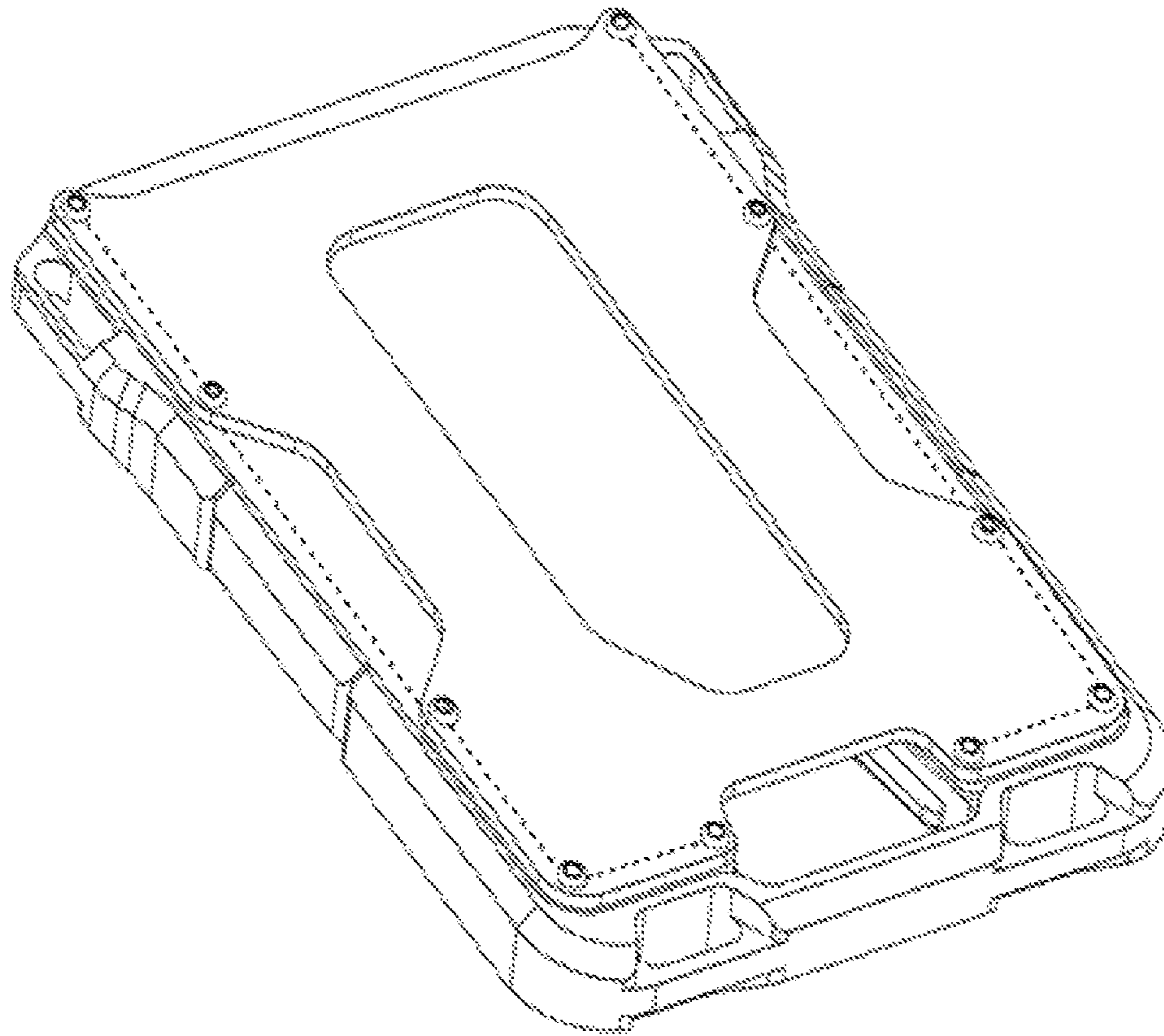


FIG. 8

