



US00D887706S

(12) **United States Design Patent** (10) **Patent No.:** **US D887,706 S**
Evans (45) **Date of Patent:** **** Jun. 23, 2020**

(54) **MULTI-POSITIONAL HOLSTER
ACCESSORY ATTACHMENT DEVICE**

(71) Applicant: **Edge-Works Manufacturing
Company, Burgaw, NC (US)**

(72) Inventor: **Scott V. Evans, Jacksonville, NC (US)**

(73) Assignee: **Edge-Works Manufacturing
Company, Burgaw, NC (US)**

(**) Term: **15 Years**

(21) Appl. No.: **29/683,039**

(22) Filed: **Mar. 11, 2019**

Related U.S. Application Data

(63) Continuation of application No. 14/862,444, filed on
Sep. 23, 2015, now abandoned.

(51) **LOC (12) Cl.** **03-01**

(52) **U.S. Cl.**
USPC **D3/222**

(58) **Field of Classification Search**

USPC D3/222-223; D8/356; D22/108-109;
224/191-193, 197-198, 238, 243-244,
224/676-679, 661, 911-912; 248/118.3,
248/222.51, 689, 311.2
CPC A45F 5/00; A45F 5/02; A45F 5/021; A45F
2005/008; A45F 2200/0591; A45F
2003/006; F41C 33/046; F41C 33/041;
F41C 33/0227; F41C 33/0263; F41C
33/045; Y10S 224/912

See application file for complete search history.

(56) **References Cited**

U.S. PATENT DOCUMENTS

6,010,045 A * 1/2000 Rogers F41C 33/041
224/197
6,161,741 A * 12/2000 French F41C 33/0227
224/192
7,922,050 B2 * 4/2011 Beneš F41C 33/0227
224/244
D841,319 S * 2/2019 Tang D3/222
D860,642 S * 9/2019 Dara D3/222

OTHER PUBLICATIONS

GCA104—Super Mojo adaptor, G-Code, www.tacticalholsters.com
(Year: 2020).*

* cited by examiner

Primary Examiner — Catherine R Oliver-Garcia
(74) *Attorney, Agent, or Firm* — Stephen M. Kepper;
Intellectual Property Consulting, LLC

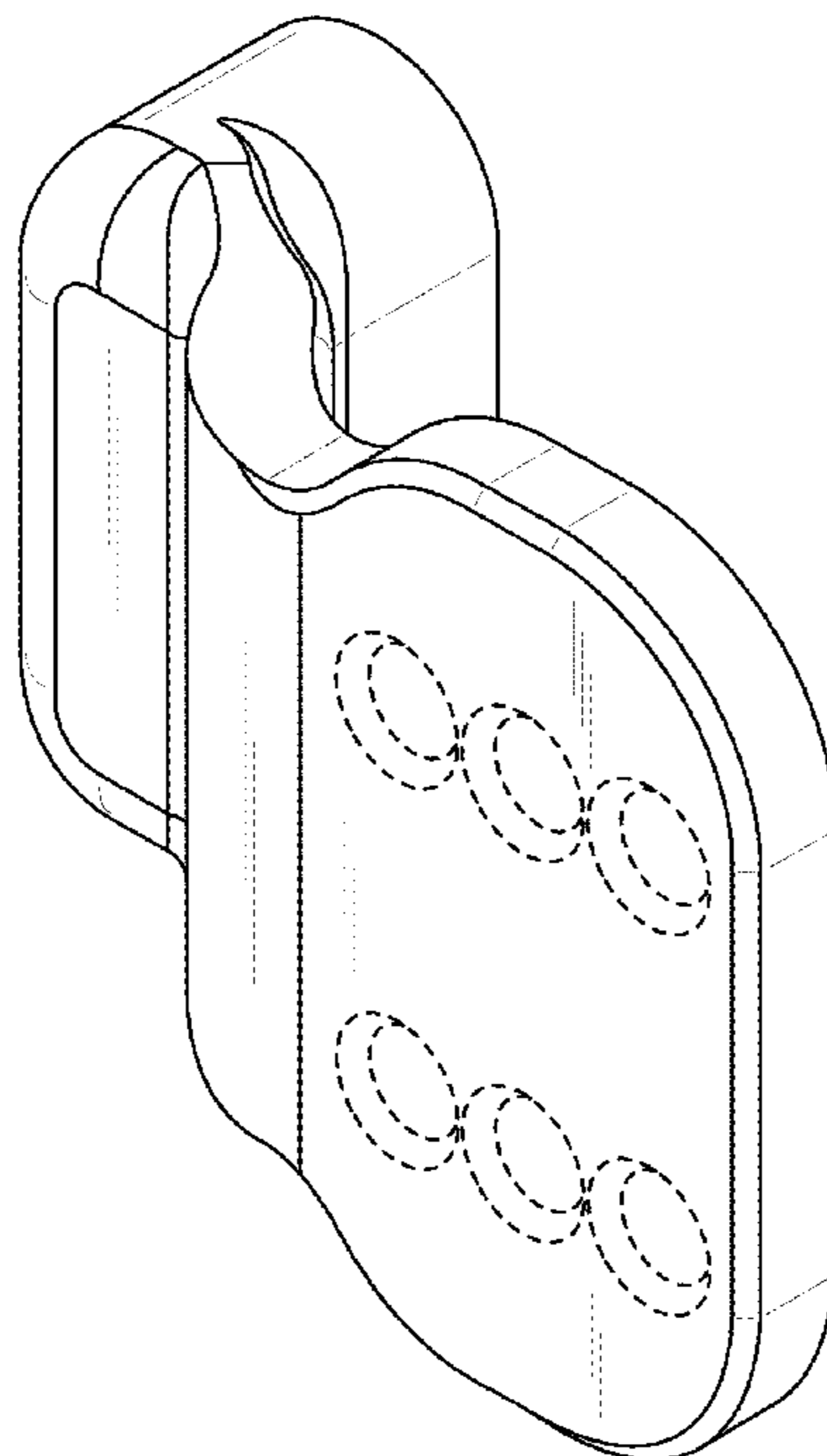
(57) **CLAIM**

The ornamental design for a multi-positional holster acces-
sory attachment device, as shown and described.

DESCRIPTION

FIG. 1 is a top and side perspective view of a multi-
positional holster accessory attachment device;
FIG. 2 is a top plan view thereof;
FIG. 3 is a rear view thereof; and,
FIG. 4 is a side elevation view, the opposite side view being
a mirror image thereof.
The broken lines depict environmental structure and are
included for the purpose of illustration only and form no part
of the claimed design.

1 Claim, 4 Drawing Sheets



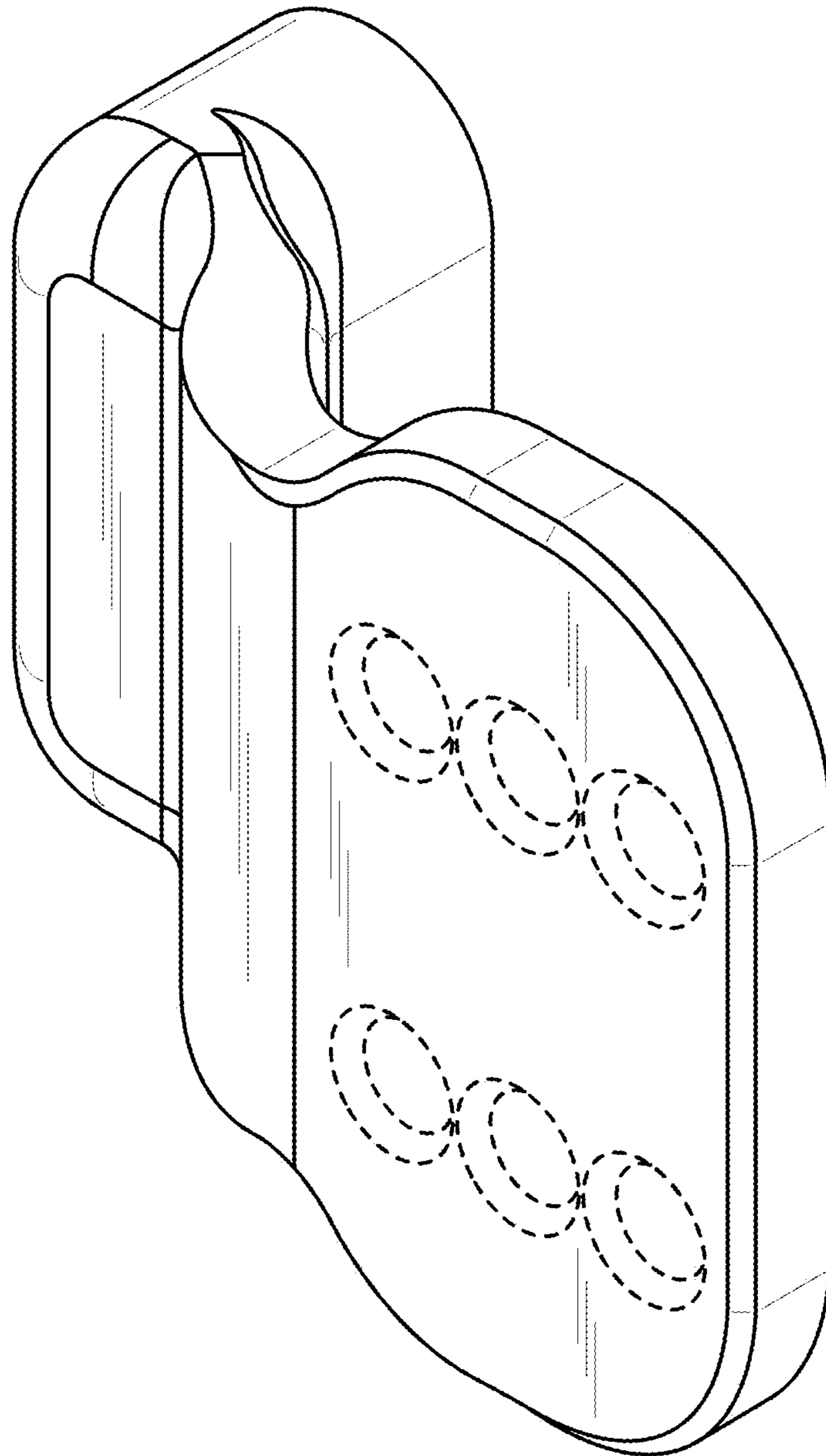


FIG. 1

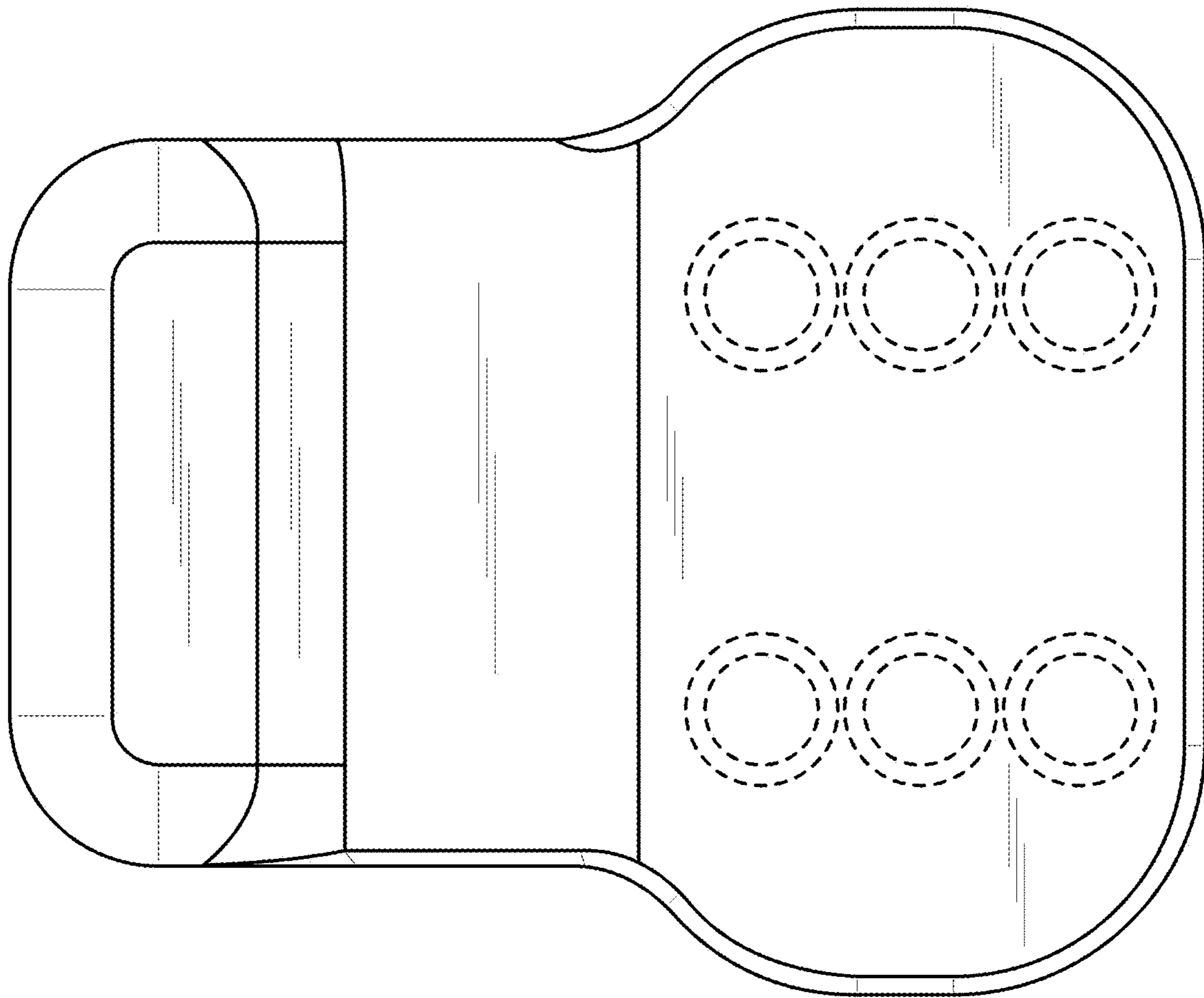


FIG. 2

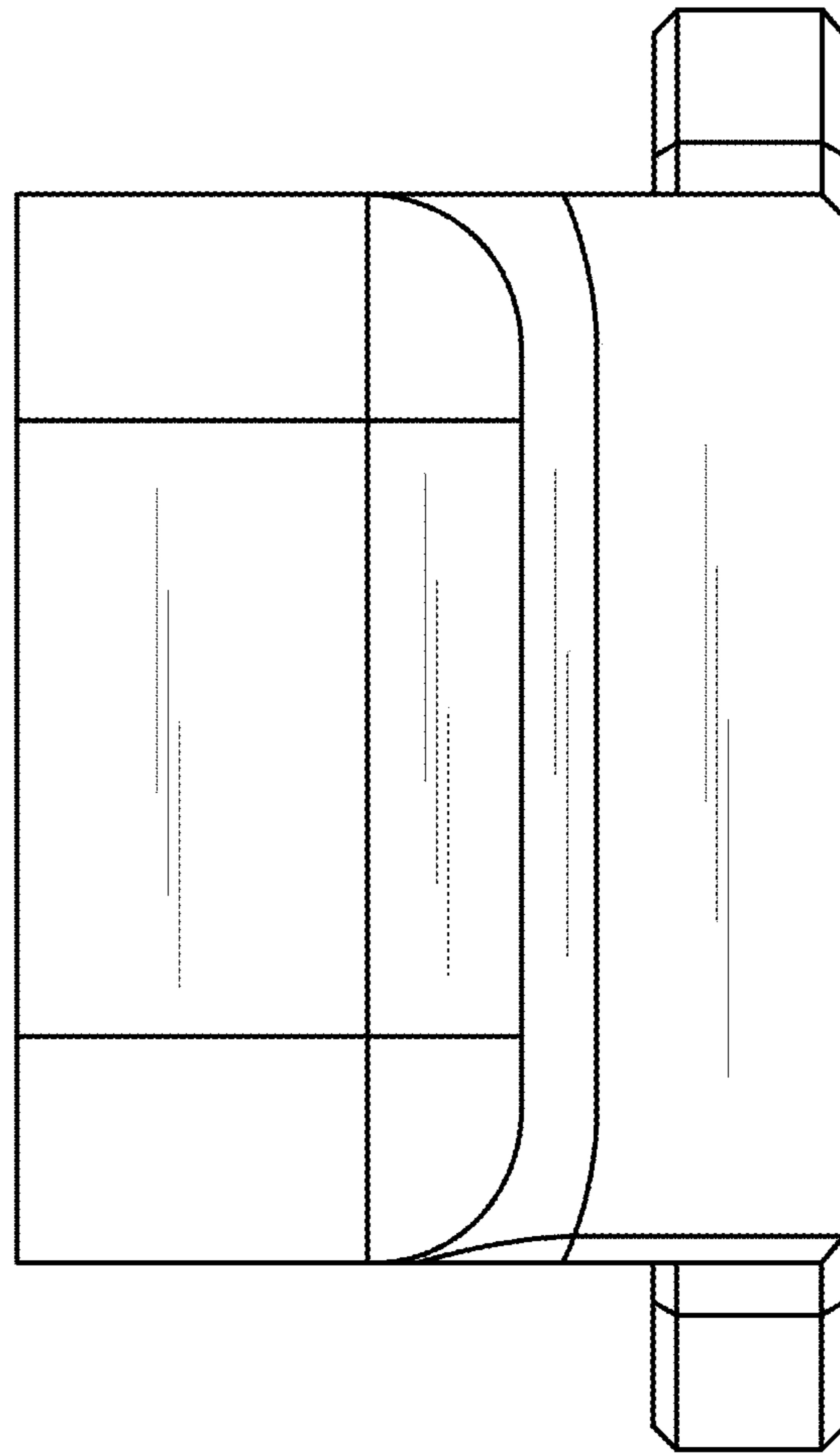


FIG. 3

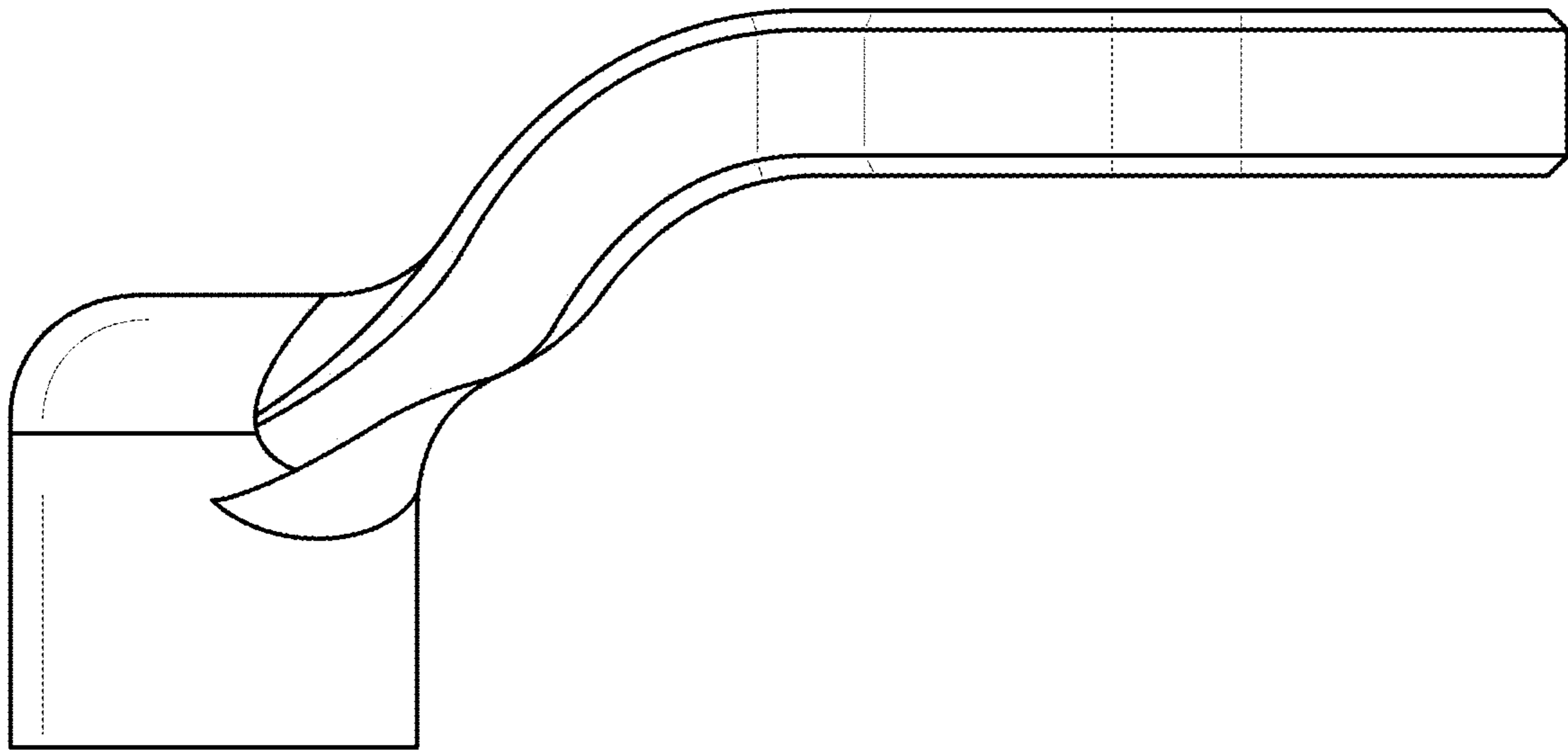


FIG. 4