



US00D887705S

(12) **United States Design Patent**
Feng

(10) **Patent No.:** **US D887,705 S**
(45) **Date of Patent:** **** Jun. 23, 2020**

(54) **BACKPACK**

(71) Applicant: **Shenzhen Ya Shi Ge Luggage Co., Ltd.**, Shenzhen (CN)

(72) Inventor: **Hongyue Feng**, Ganzhou (CN)

(**) Term: **15 Years**

(21) Appl. No.: **29/724,317**

(22) Filed: **Feb. 14, 2020**

(30) **Foreign Application Priority Data**

Aug. 19, 2019 (EM) 006734612-0001

(51) **LOC (12) Cl.** **03-01**

(52) **U.S. Cl.**
USPC **D3/217**

(58) **Field of Classification Search**
USPC D3/215–218, 224, 226, 303
CPC A45F 3/04; A45F 3/047; A45F 2003/045;
A45F 4/02

See application file for complete search history.

(56) **References Cited**

U.S. PATENT DOCUMENTS

4,096,978 A * 6/1978 Noice A45F 3/04
224/640
D396,745 S * 8/1998 Peterson D3/216
D616,196 S * 5/2010 Walsh D3/217

D641,973 S * 7/2011 Quehl D3/217
D690,095 S * 9/2013 Garcia D3/217
D853,107 S 7/2019 Lyons
D856,662 S 8/2019 Breines
D861,329 S 10/2019 Wei

* cited by examiner

Primary Examiner — Jennifer L Watkins

(74) *Attorney, Agent, or Firm* — HYIP

(57) **CLAIM**

The ornamental design for a backpack, as shown and described.

DESCRIPTION

FIG. 1 is a first perspective view of a backpack showing my new design;

FIG. 2 is a second perspective view thereof;

FIG. 3 is a front view thereof;

FIG. 4 is a back view thereof;

FIG. 5 is a left side view thereof;

FIG. 6 is a right side view thereof;

FIG. 7 is a top view thereof;

FIG. 8 is a bottom view thereof; and,

FIG. 9 is an enlarged view of the selected portion in FIG. 1.

The evenly dashed broken lines shown in the drawings depict portions of the backpack in which the design is embodied that form no part of the claimed design. The dash dot dash lines in FIGS. 1 and 9 depict the cut line of the sectional view and form no part of the claim.

1 Claim, 9 Drawing Sheets

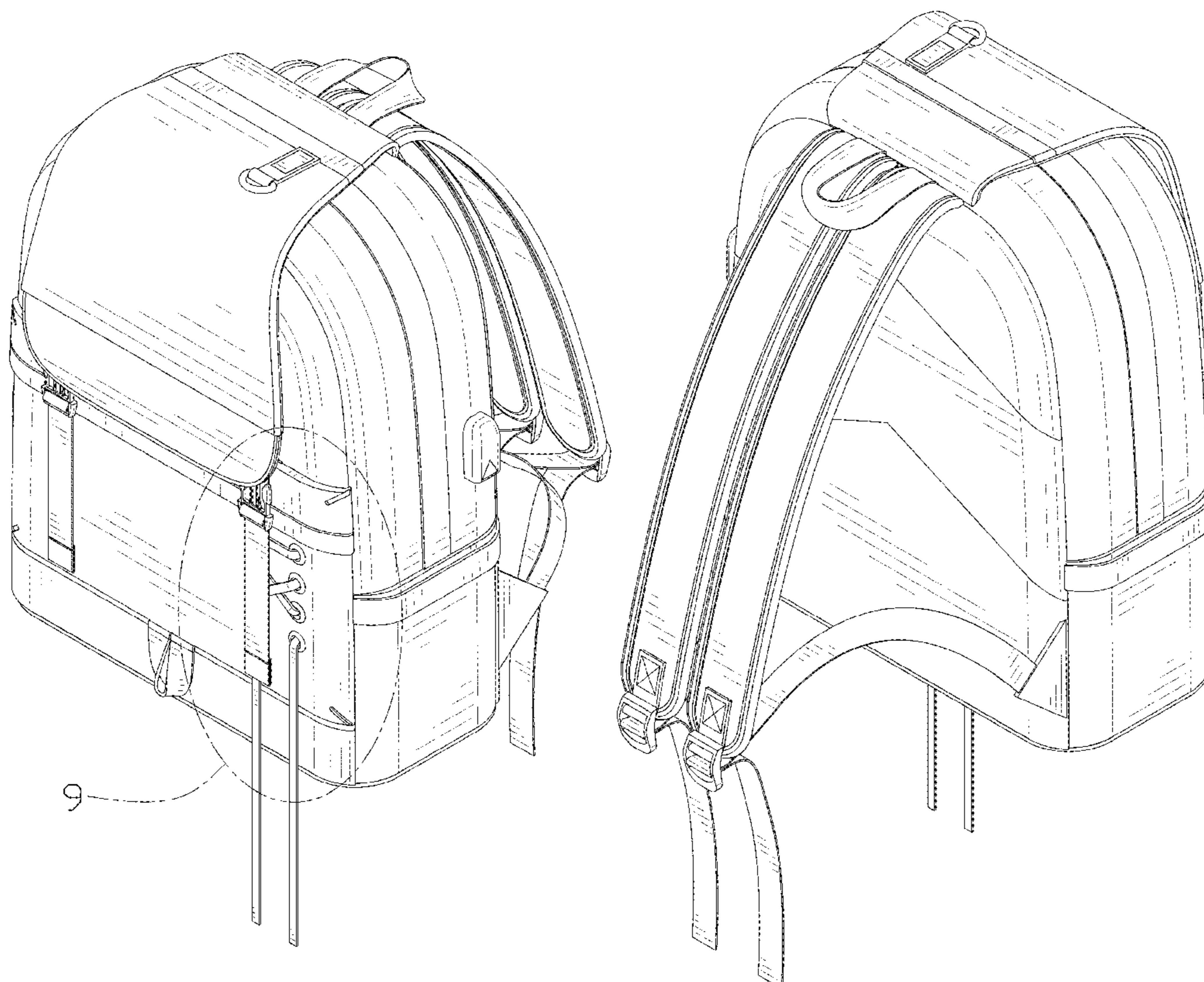




FIG. 1

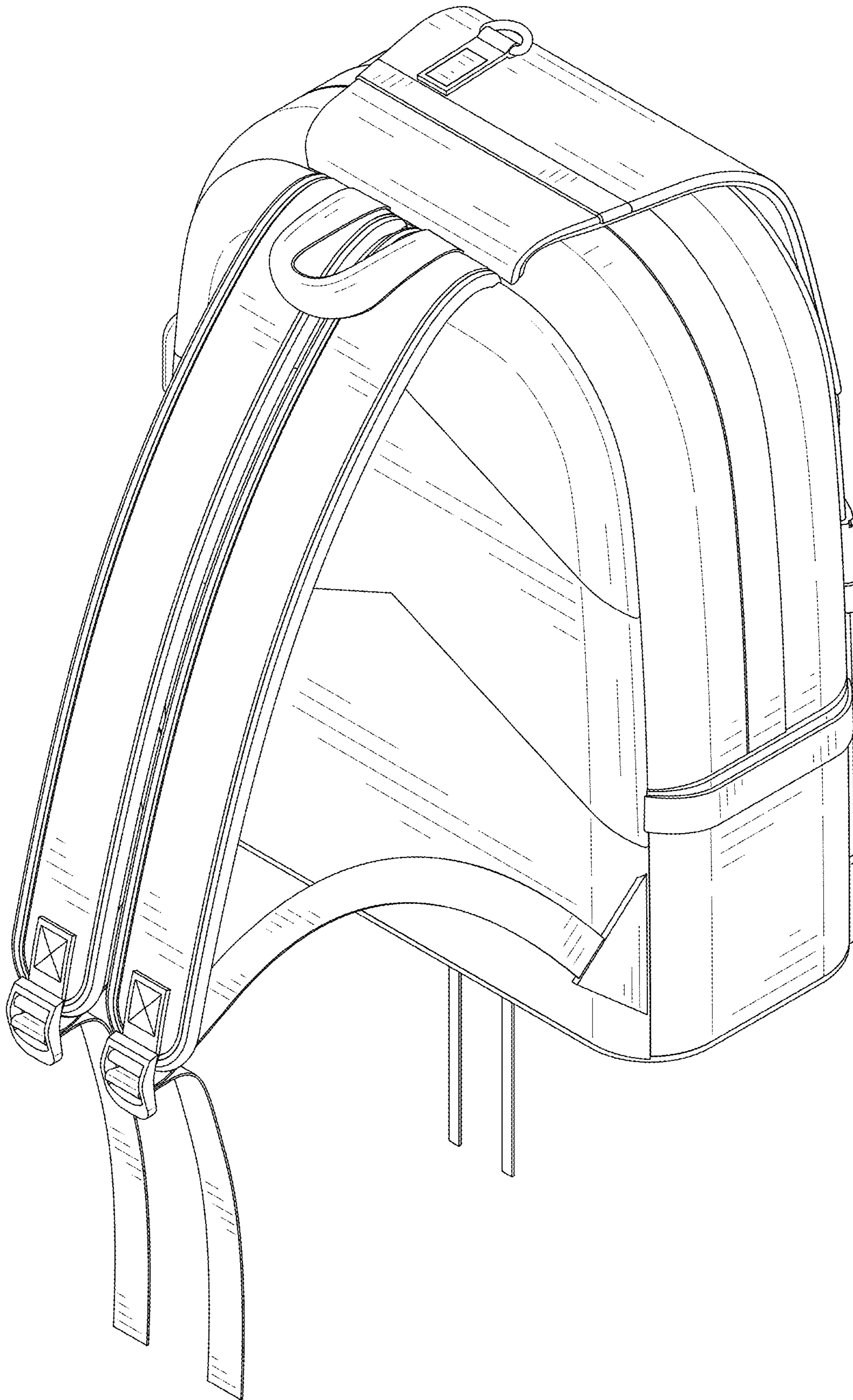


FIG. 2

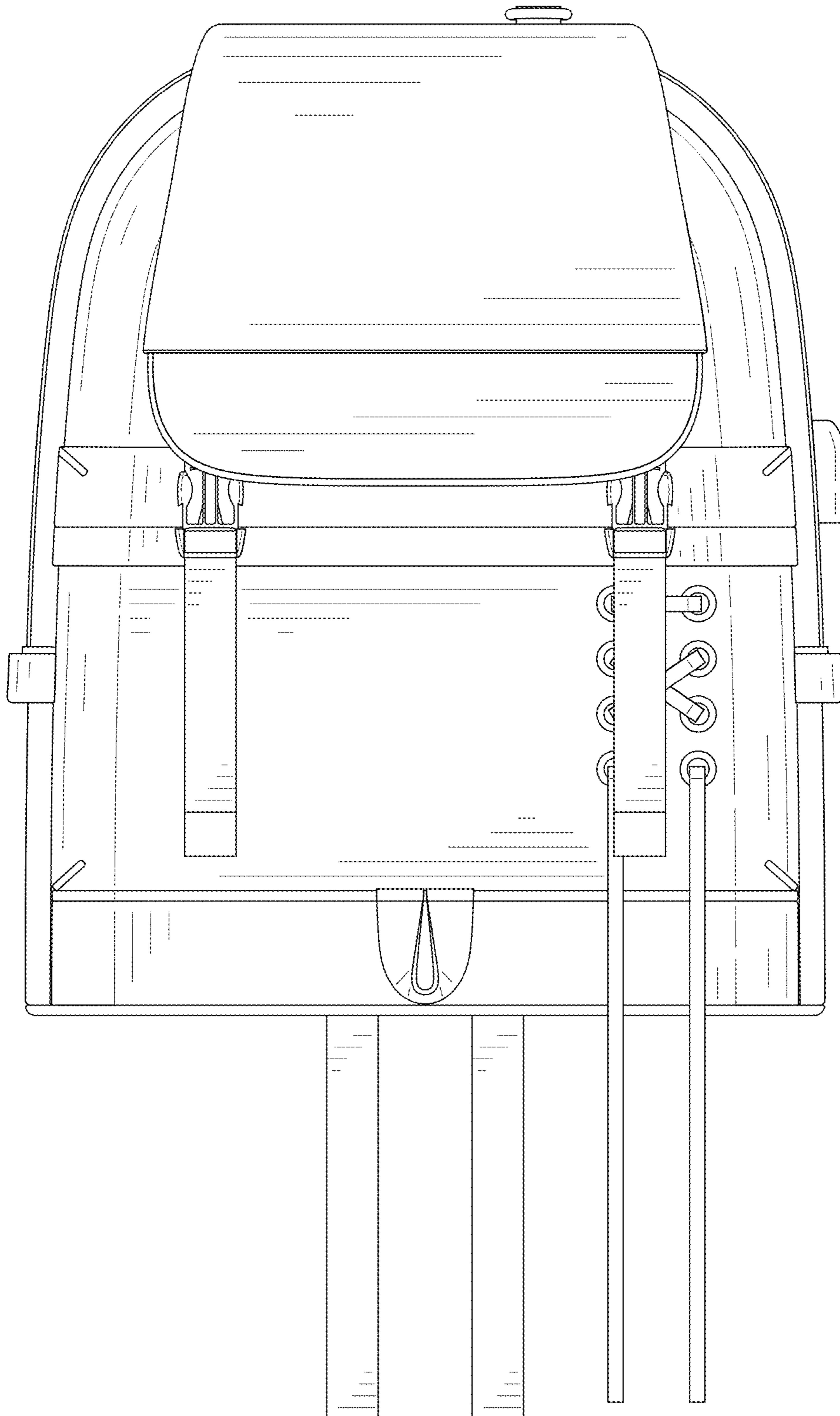


FIG. 3

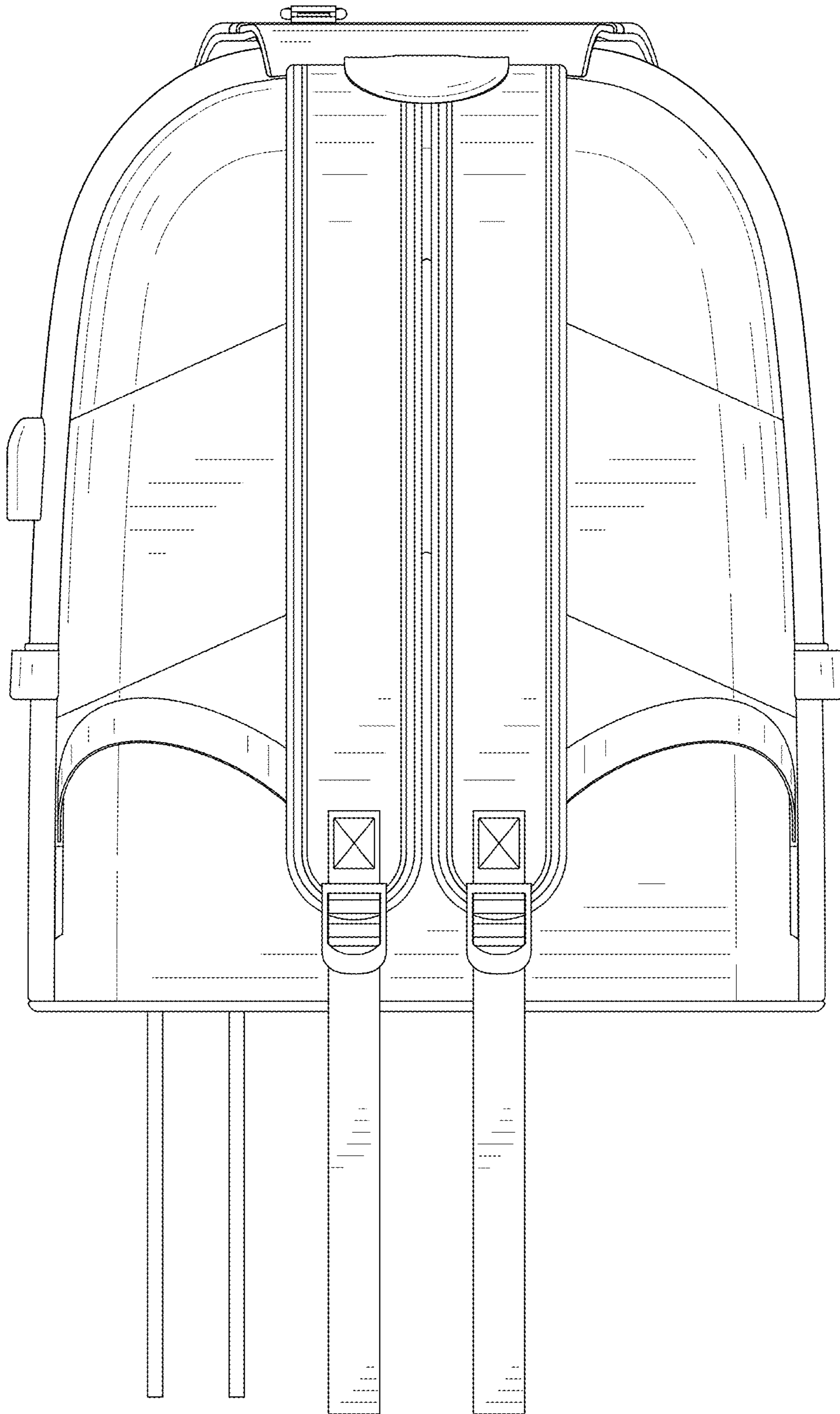


FIG. 4

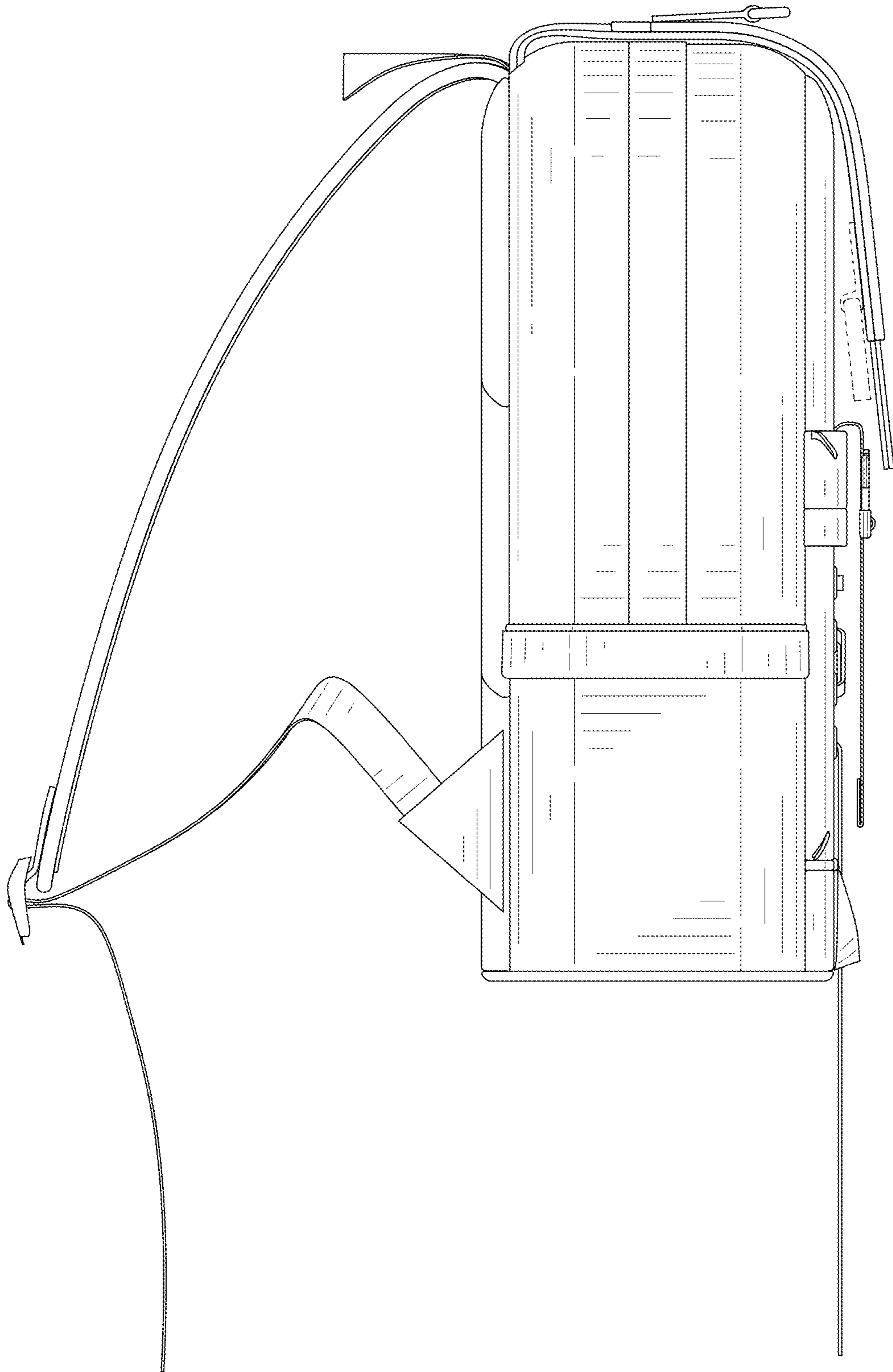


FIG. 5

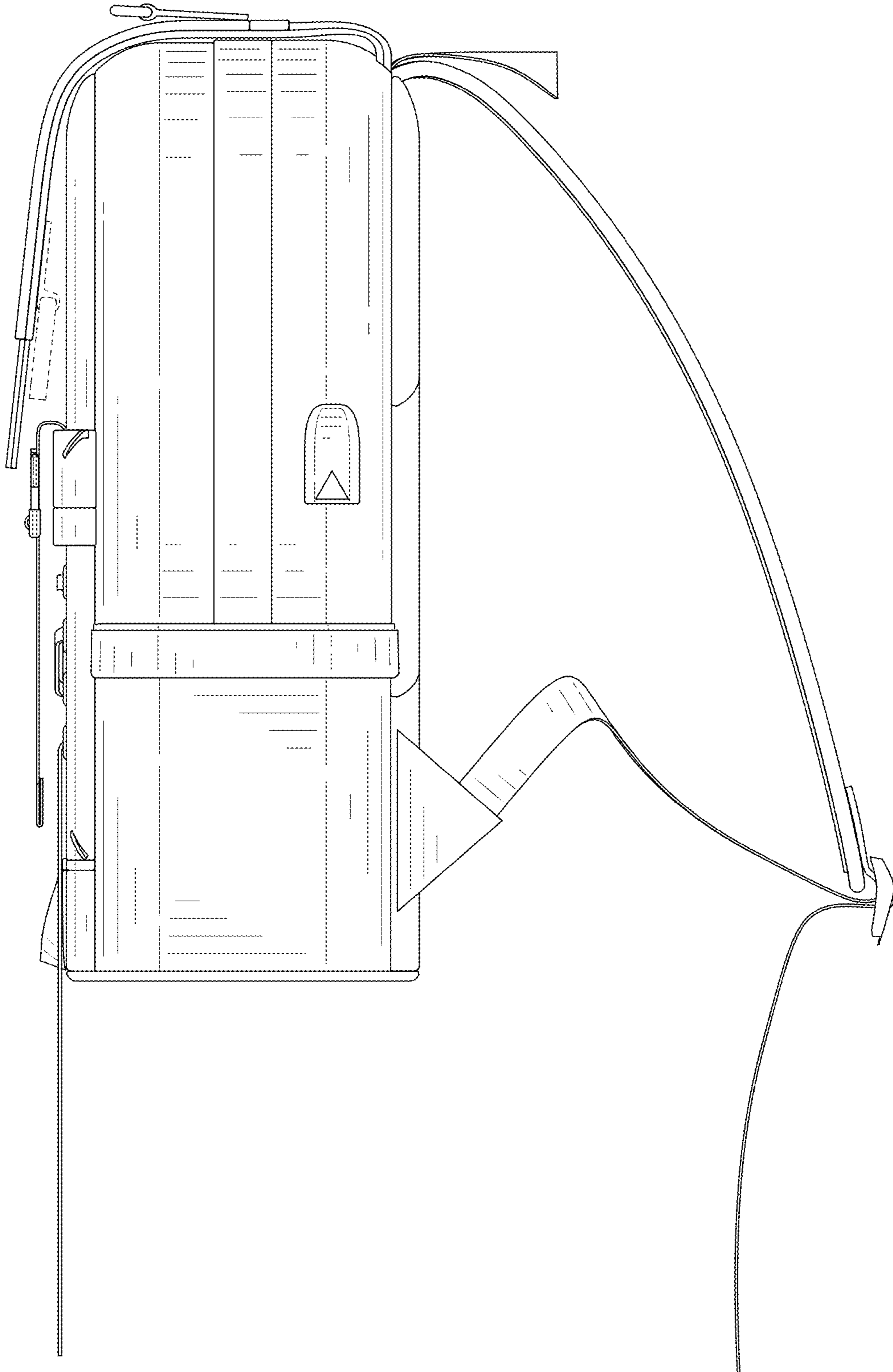


FIG. 6

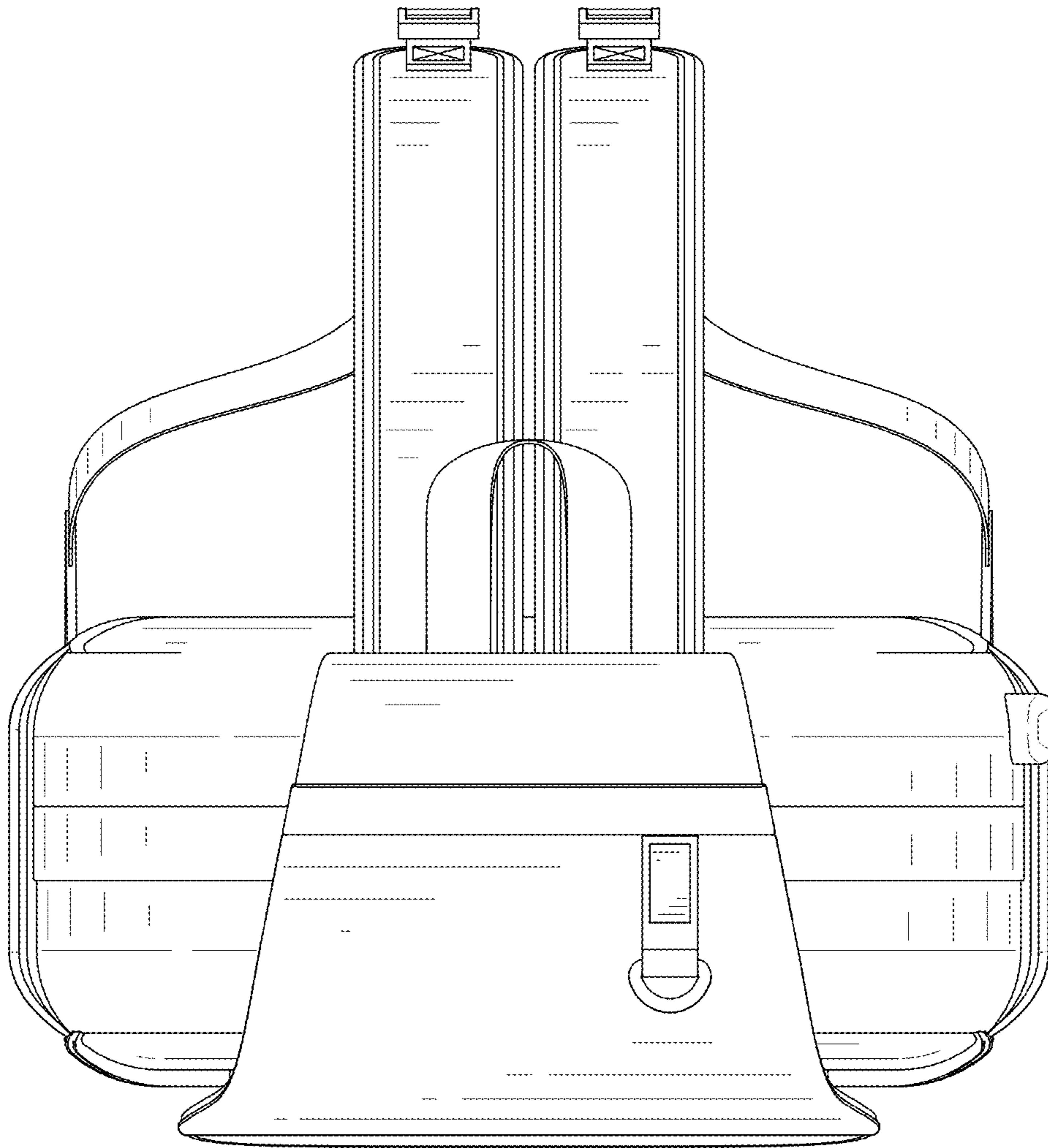


FIG. 7

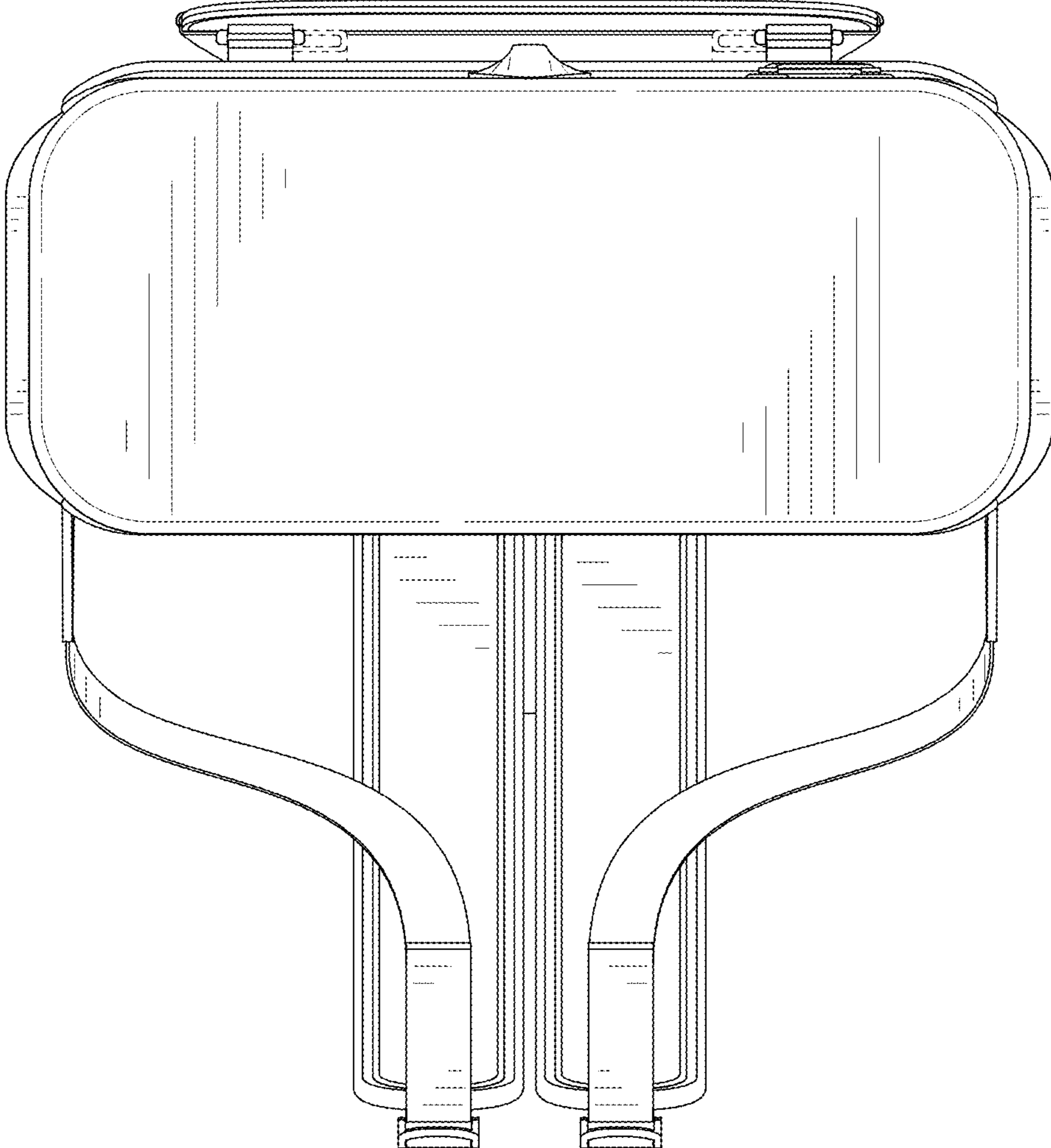


FIG. 8

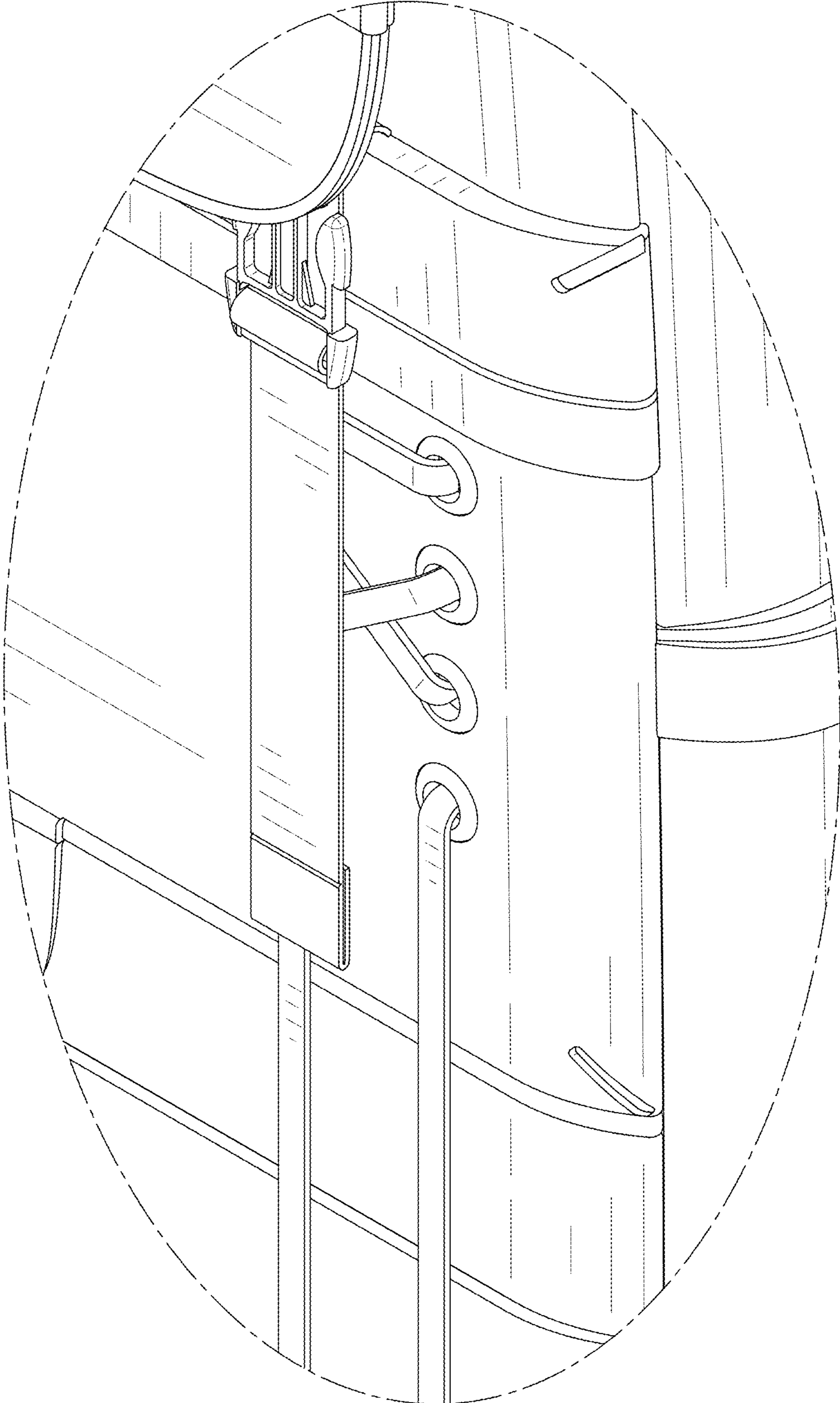


FIG. 9