



US00D887704S

(12) **United States Design Patent** (10) **Patent No.:** **US D887,704 S**  
**Penafior** (45) **Date of Patent:** **\*\* Jun. 23, 2020**

(54) **POCKET UTILITY CASE AND TRAVEL TOOL**

(71) Applicant: **Ronaldo Green Penafior**, Fallbrook, CA (US)

(72) Inventor: **Ronaldo Green Penafior**, Fallbrook, CA (US)

(73) Assignee: **iP TECH PROS Inc.**, San Diego, CA (US)

(\*\*) Term: **15 Years**

(21) Appl. No.: **29/680,665**

(22) Filed: **Feb. 19, 2019**

**Related U.S. Application Data**

(63) Continuation of application No. 16/278,715, filed on Feb. 19, 2019.

(51) **LOC (12) Cl.** ..... **03-03**

(52) **U.S. Cl.**

USPC ..... **D3/205; D3/315**

(58) **Field of Classification Search**

USPC ..... **D3/205, 315; D28/9**

CPC ..... **A45C 11/00; A45C 11/008; A45C 11/26;**

**A45C 2011/007; A45C 9/00; A45D 44/18**

See application file for complete search history.

(56) **References Cited**

**U.S. PATENT DOCUMENTS**

2,338,836 A \* 1/1944 Horace ..... A45D 24/16  
132/121

3,690,331 A \* 9/1972 Messer ..... A45D 24/16  
132/120

D305,781 S \* 1/1990 Ukisu ..... D21/483  
D312,325 S \* 11/1990 Brinker ..... D28/25  
D378,016 S \* 2/1997 Armbruster ..... D3/205  
D508,299 S \* 8/2005 Dunn ..... D30/158  
D746,582 S \* 1/2016 De Soto ..... D3/205  
D838,411 S \* 1/2019 Floyd ..... D28/73  
D866,164 S \* 11/2019 Chen ..... D3/205  
2009/0265860 A1\* 10/2009 Barber ..... B25F 1/04  
7/167  
2011/0005963 A1\* 1/2011 Mapalo ..... A01K 13/001  
206/581

\* cited by examiner

*Primary Examiner* — Charles D Hanson

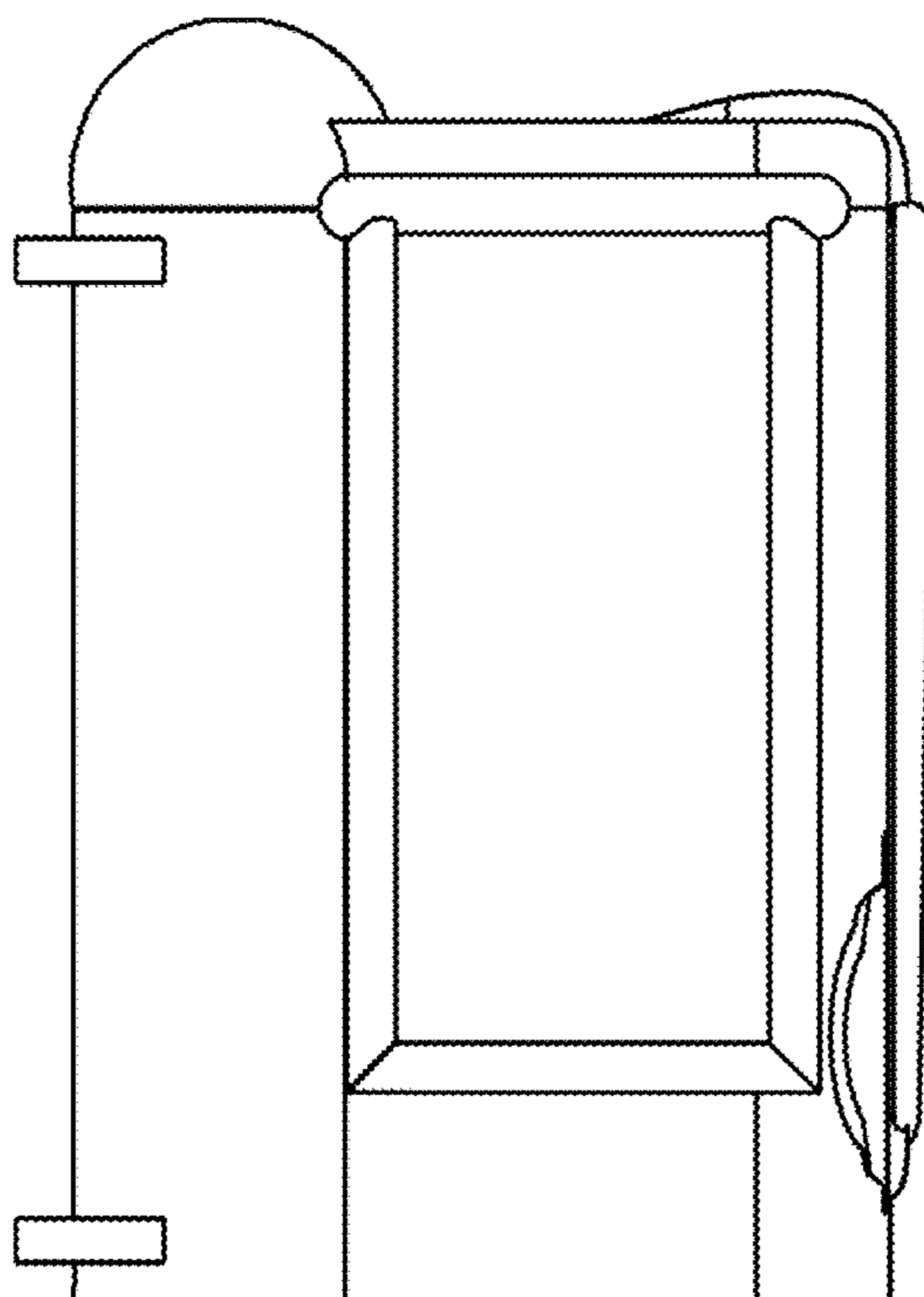
(57) **CLAIM**

The ornamental design for a pocket utility case and travel tool, as shown and described.

**DESCRIPTION**

FIG. 1 is a front view of a pocket utility case and travel tool; FIG. 2 is a back view thereof; FIG. 3 is one side view thereof; FIG. 4 is the opposite side view thereof; FIG. 5 is a top view thereof; FIG. 6 is a bottom view thereof; FIG. 7 is a front perspective view thereof; and, FIG. 8 is a back perspective view thereof.

**1 Claim, 8 Drawing Sheets**



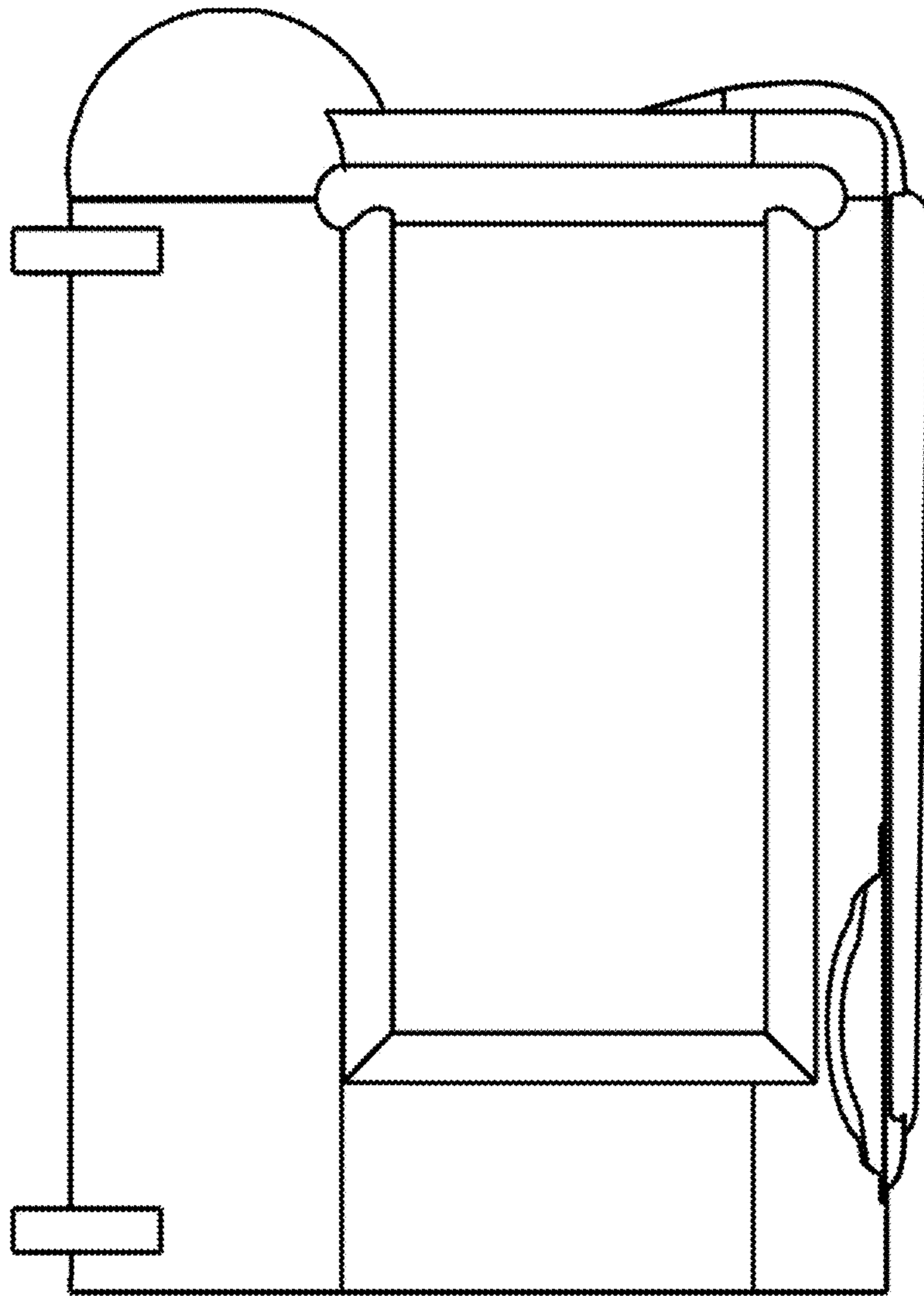


FIG. 1

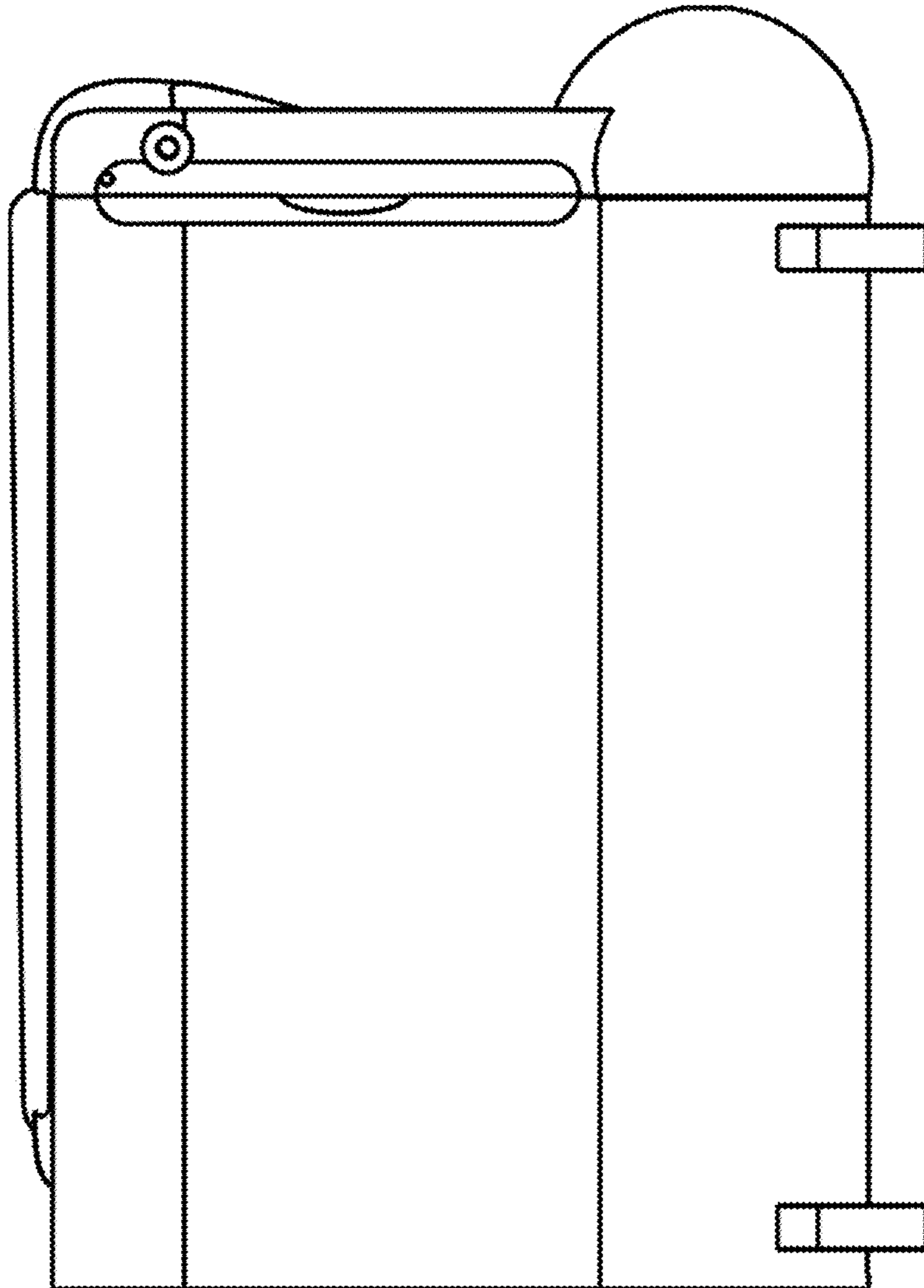


FIG. 2

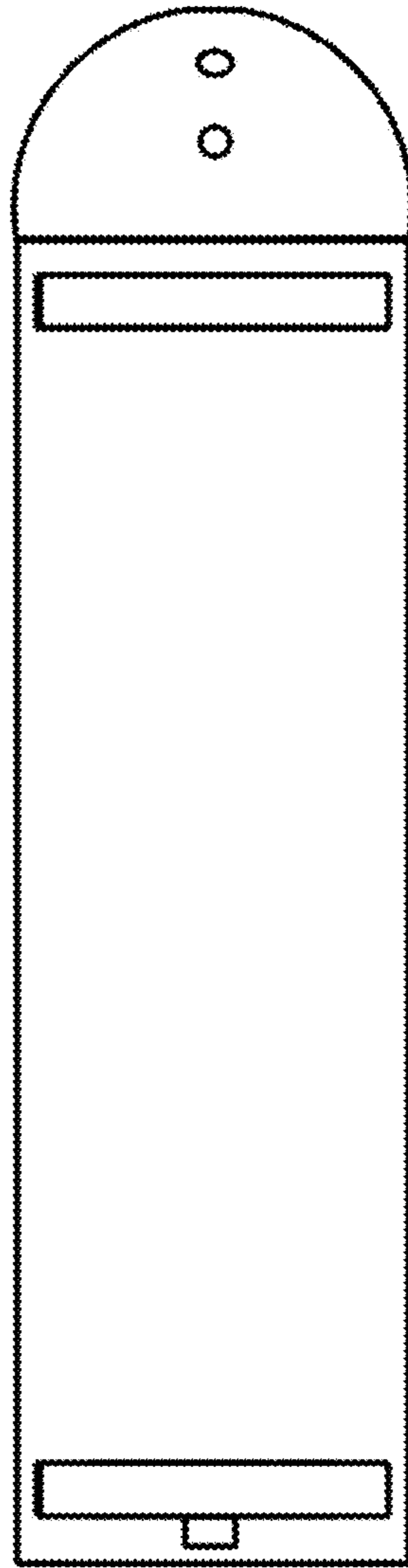


FIG. 3

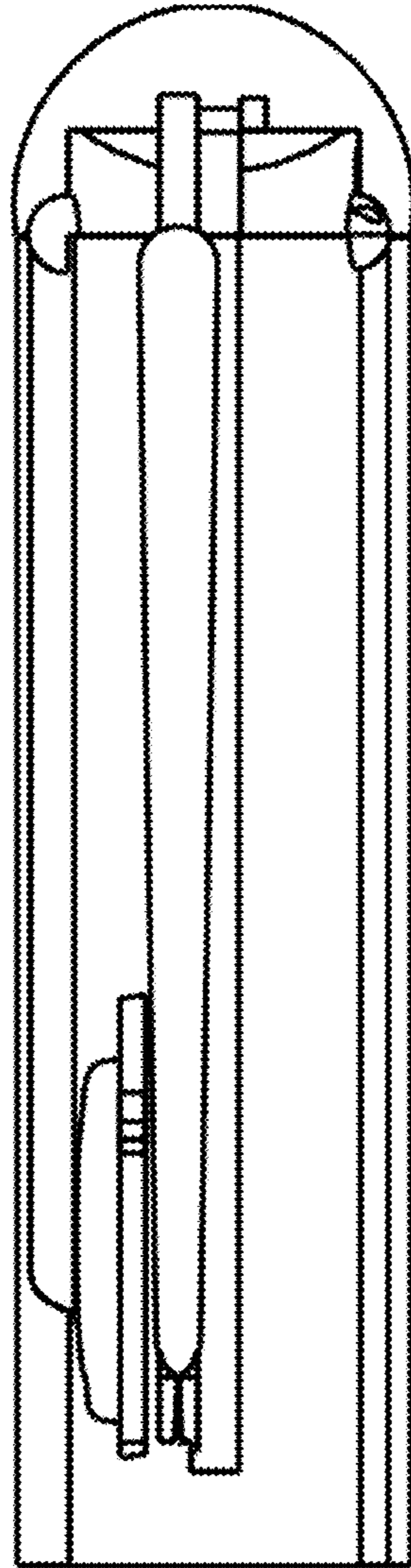


FIG. 4

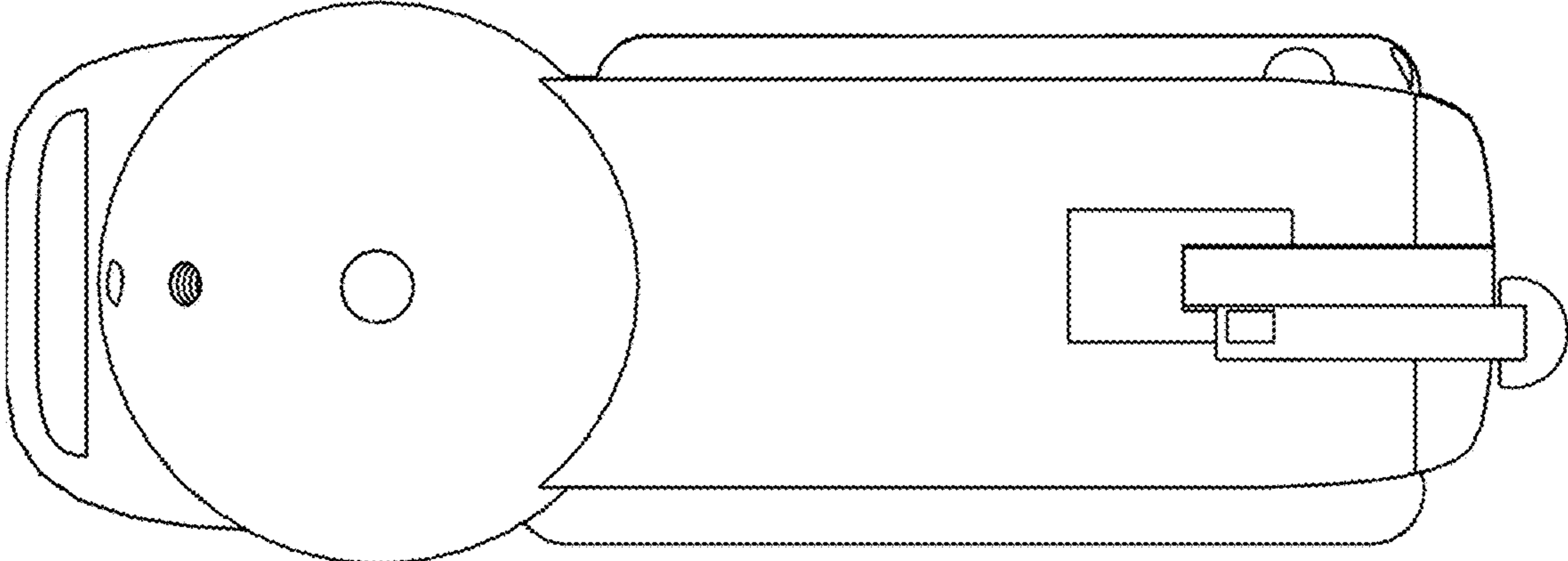


FIG. 5

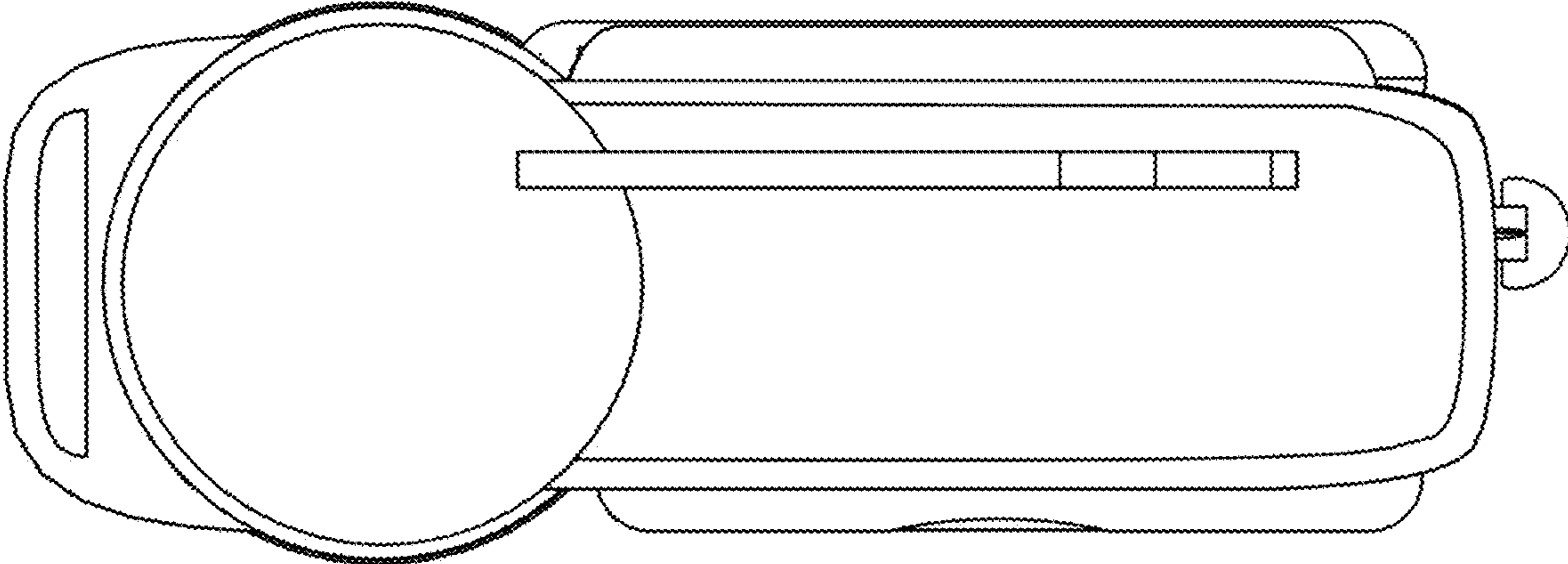


FIG. 6

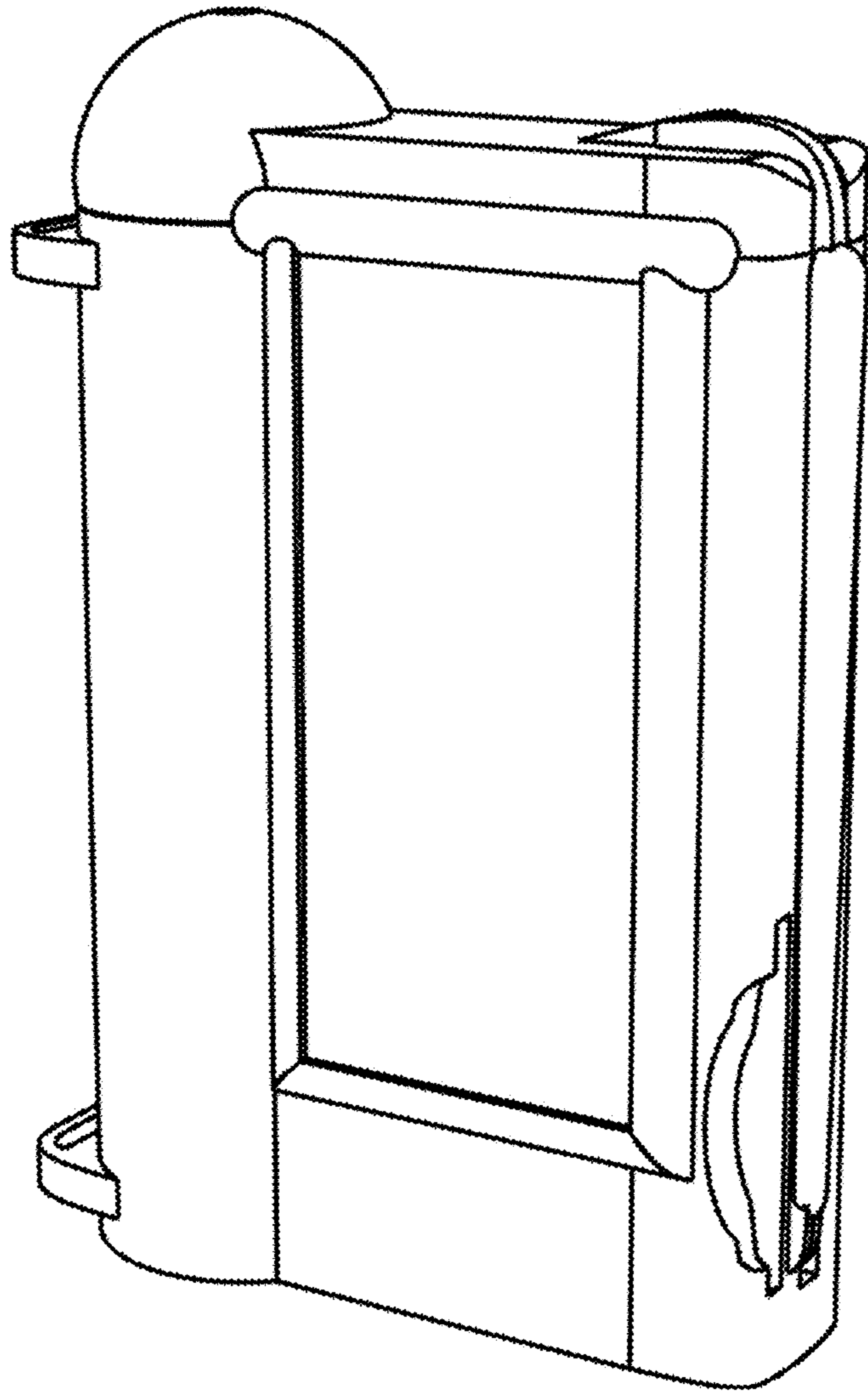


FIG. 7



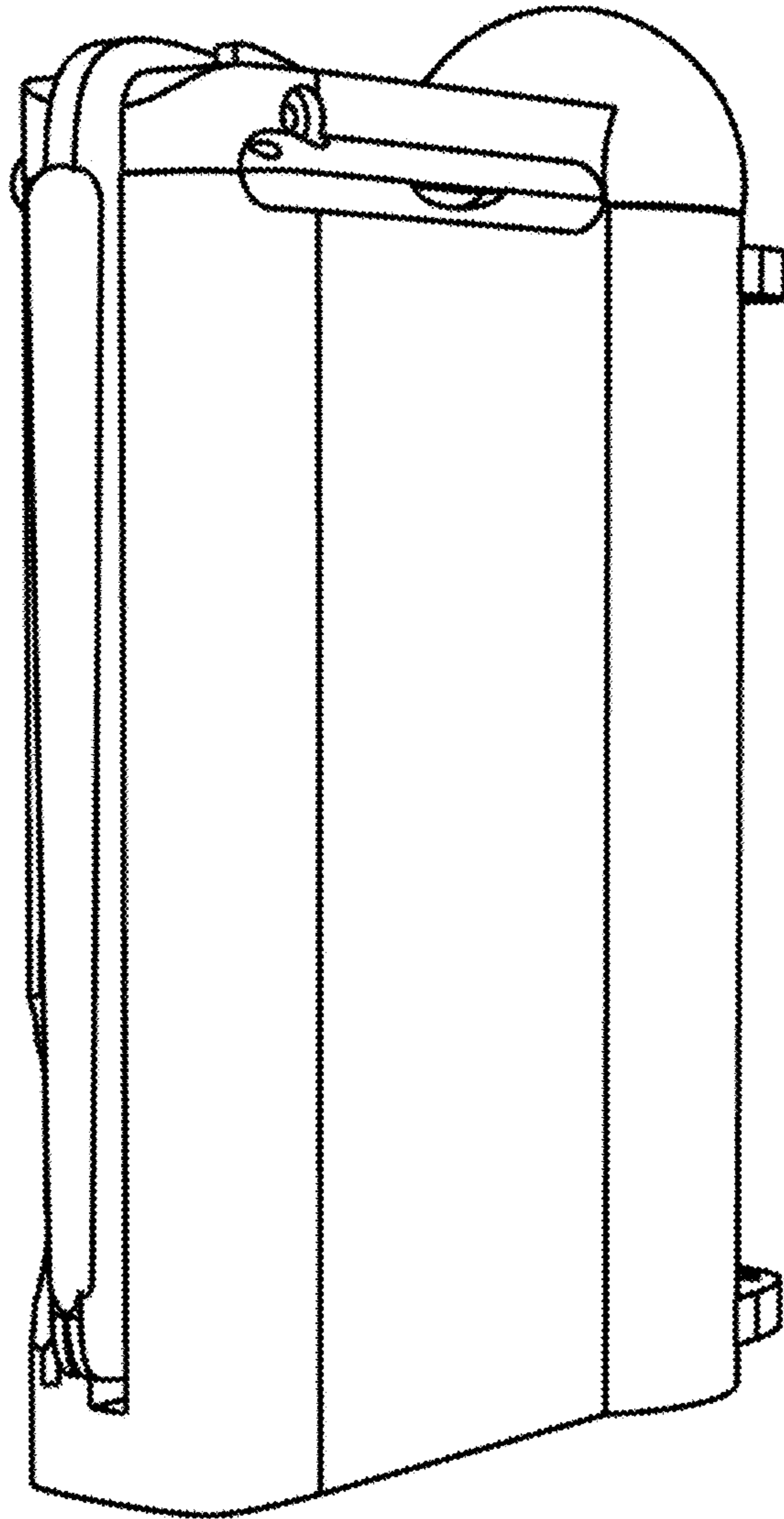


FIG. 8