



US00D887703S

(12) **United States Design Patent**
Charm

(10) **Patent No.:** **US D887,703 S**
(45) **Date of Patent:** **** Jun. 23, 2020**

(54) **CONTAINER TIN WITH CUTTER**

FOREIGN PATENT DOCUMENTS

(71) Applicant: **PLANET CANIT, LLC**, Highland Park, IL (US)

CN 202069859 U 12/2011
CN 204208034 U 3/2015

(72) Inventor: **Hui Ho Charm**, Kwai Chung (HK)

OTHER PUBLICATIONS

(73) Assignee: **Planet Canit, LLC**, Highland Park, IL (US)

The International Search Report and the Written Opinion of the International Searching Authority, dated Dec. 26, 2017, in corresponding International Application No. PCT/US17/54131, 23 pages.

(**) Term: **15 Years**

(Continued)

(21) Appl. No.: **29/671,466**

Primary Examiner — Lauren R Calve

(22) Filed: **Nov. 27, 2018**

(74) *Attorney, Agent, or Firm* — Eric L. Sophir; Foley & Lardner LLP

(51) **LOC (12) Cl.** **03-01**

(52) **U.S. Cl.**

USPC **D3/203.3**; D3/295

(58) **Field of Classification Search**

USPC D9/414, 424, 723, 724, 726, 432;
D3/201, 203.1, 203.2, 203.3, 295–298;
D28/83

CPC B65D 85/00; B65D 43/20; B65D 43/12;
B65D 81/113; B65D 83/0409; B65D
81/05; B65D 81/02; B65D 85/30; B65D
5/5038; B65D 83/04; B65D 2519/00323;
B65D 2581/055; B65D 81/127; B65D
2583/0454; B65D 81/133; B65D
2519/00273

See application file for complete search history.

(57) **CLAIM**

The ornamental design for a container tin with cutter, as shown and described.

DESCRIPTION

FIG. 1 is a front right side isometric view of a container tin with cutter shown in a fully open position;
FIG. 2 is a front left side isometric view of the container tin with cutter shown in a partially open position;
FIG. 3 is an isometric view of the container tin with cutter shown in a partially open position, looking at the top surface of the container lid, at the interior surface of the container base, and the right side and rear side of the container base;
FIG. 4 is a top view of the container tin with cutter shown in a closed position;
FIG. 5 is an isometric view of the container tin with cutter shown in a closed position, looking at the top surface of the container lid and the left-front side of the container base; and,
FIG. 6 is a back elevational view of the container tin with cutter shown in a closed position.

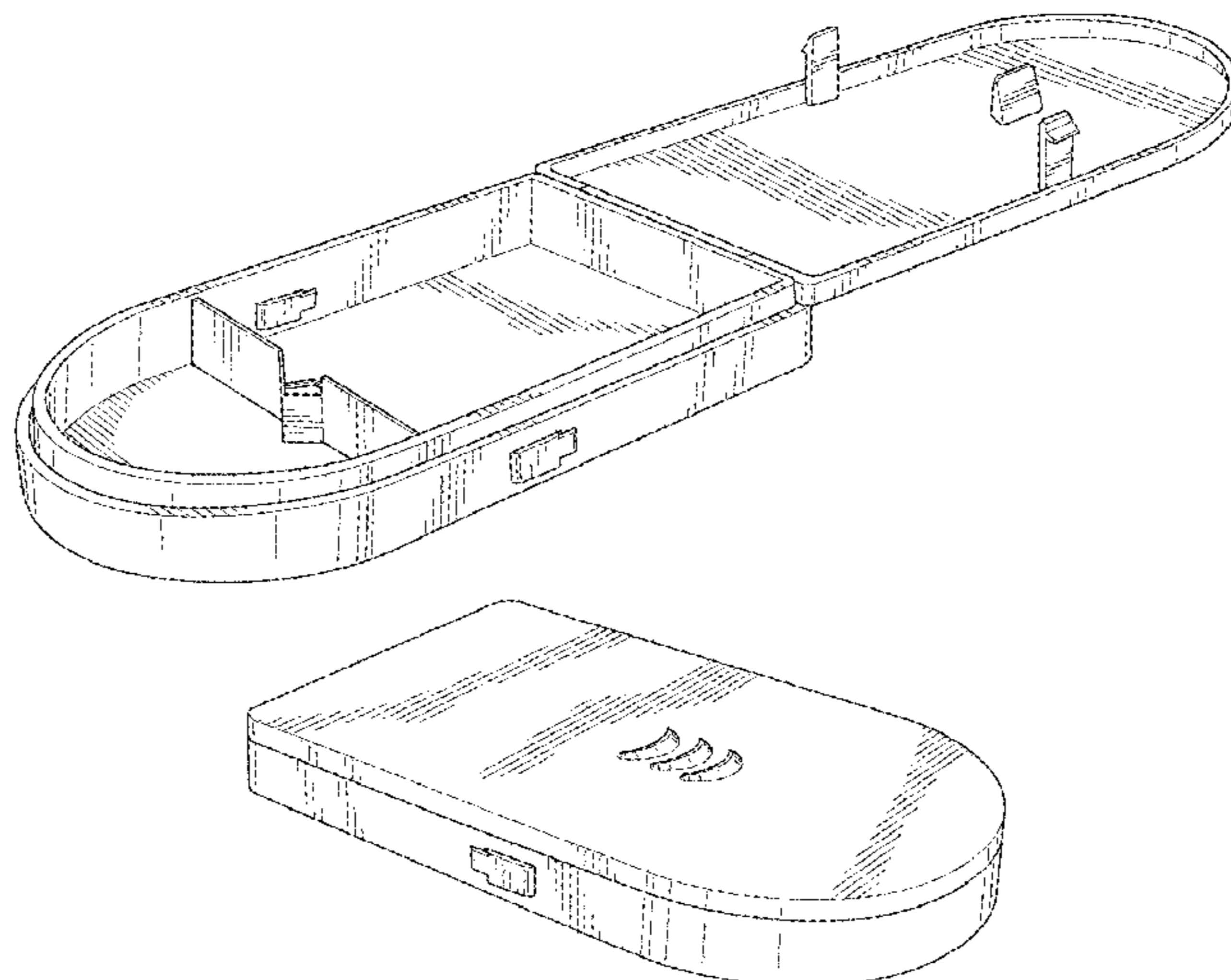
(56) **References Cited**

U.S. PATENT DOCUMENTS

D241,079 S * 8/1976 Minneman D3/295
D271,444 S * 11/1983 LeVine D3/295
4,697,344 A 10/1987 Leopoldi
D311,684 S * 10/1990 Newell D9/418
5,118,021 A 6/1992 Fiocchi
D424,245 S * 5/2000 Stoecker D28/78
7,000,815 B1 2/2006 Tipton et al.
D535,186 S * 1/2007 Tanner D9/420
D539,641 S * 4/2007 Tanner D3/203.1
7,243,826 B2 7/2007 Darst

(Continued)

1 Claim, 6 Drawing Sheets



(56)

References Cited

U.S. PATENT DOCUMENTS

D549,961 S * 9/2007 Green D3/282
D592,399 S * 5/2009 Sage D3/295
D645,244 S * 9/2011 Rietjens D3/203.3
8,292,101 B1 10/2012 Bragg et al.
D690,934 S * 10/2013 Robinson D3/294
8,720,808 B2 * 5/2014 Young B02C 19/08
241/168
D800,551 S * 10/2017 Fang D9/423
2003/0019900 A1 1/2003 Dienst
2004/0007595 A1 1/2004 Stull et al.
2005/0051587 A1 3/2005 Kan
2005/0067452 A1 3/2005 Darst
2005/0241987 A1 * 11/2005 Dieudonat A45D 40/22
206/581
2008/0011803 A1 1/2008 Petrie et al.
2008/0075772 A1 3/2008 Solomon et al.
2009/0183373 A1 7/2009 Suhr
2015/0021326 A1 1/2015 Giraud et al.
2017/0137184 A1 5/2017 Burek et al.

OTHER PUBLICATIONS

Non-Final Office Action dated Nov. 2, 2018 in U.S. Appl. No. 15/719,336, Inventor: Hui Ho Charm, 20 pages.

* cited by examiner

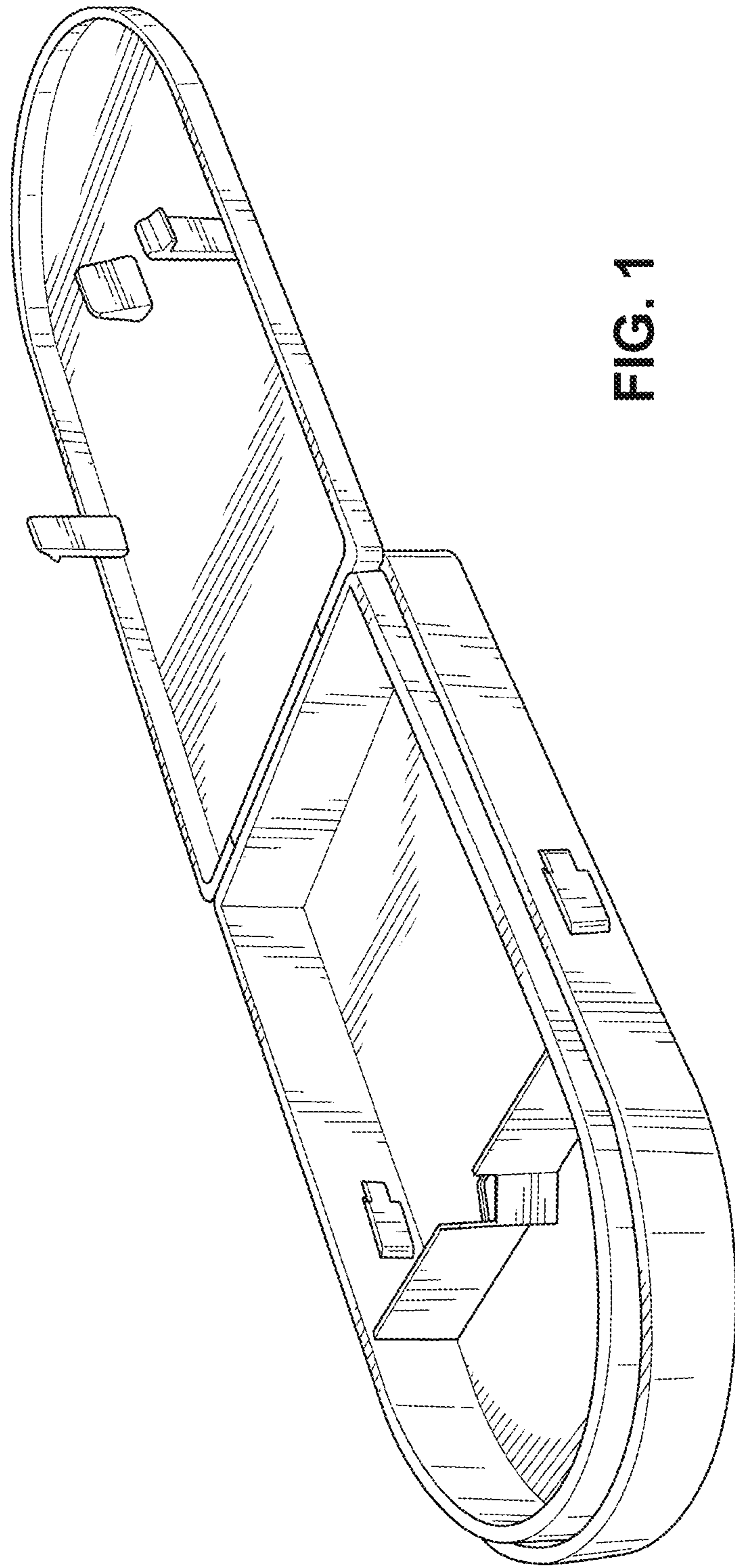


FIG. 1

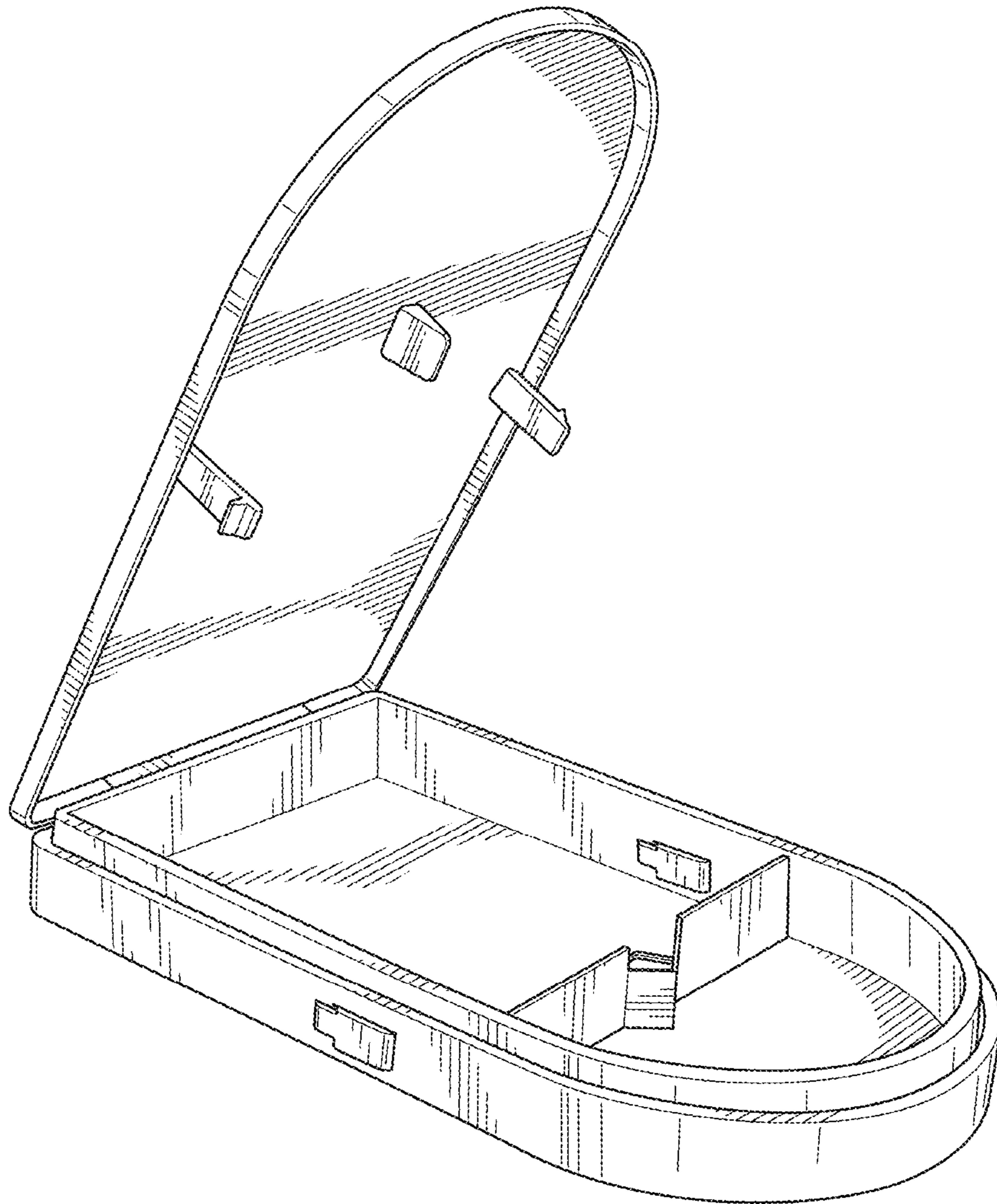


FIG. 2

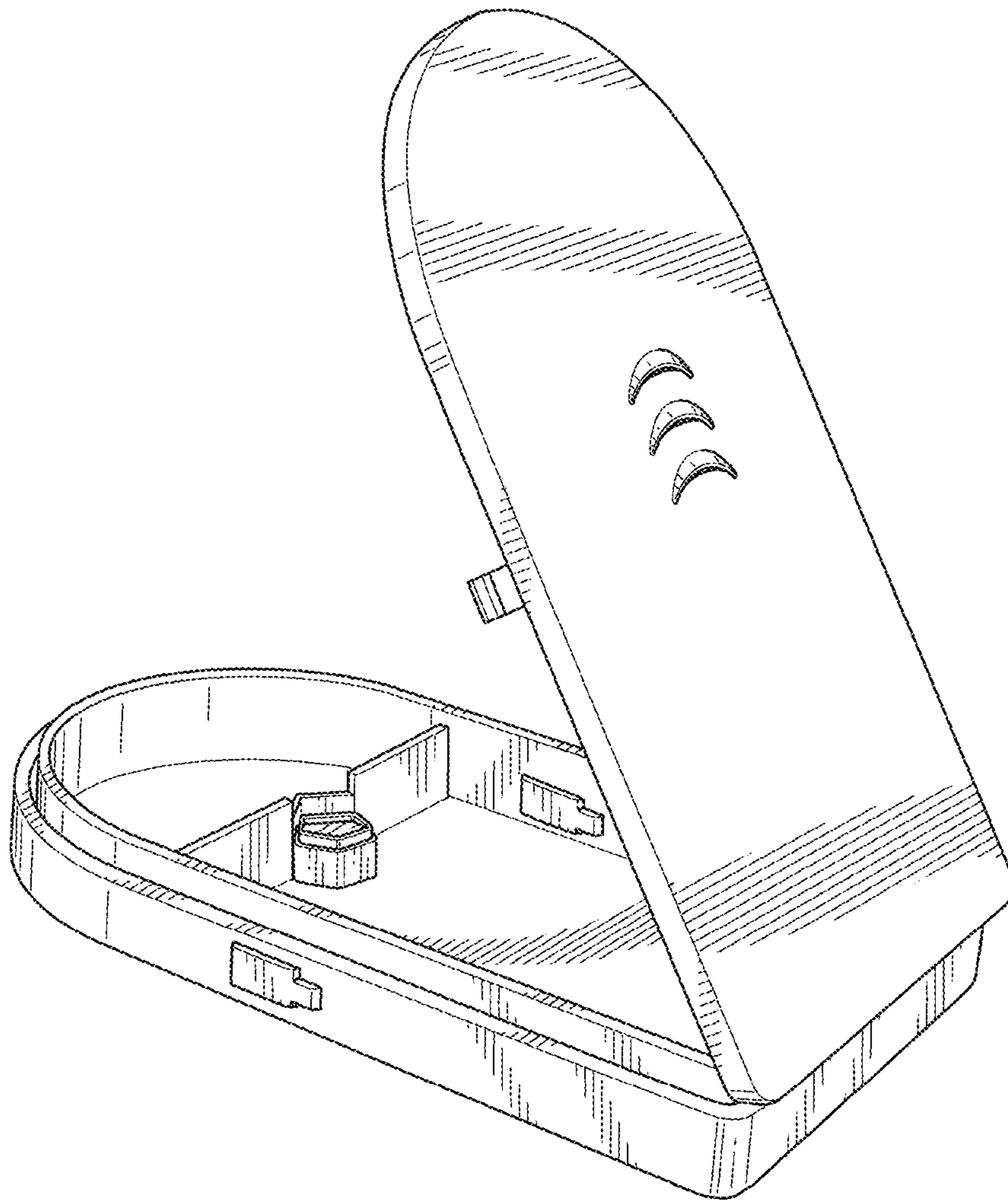


FIG. 3

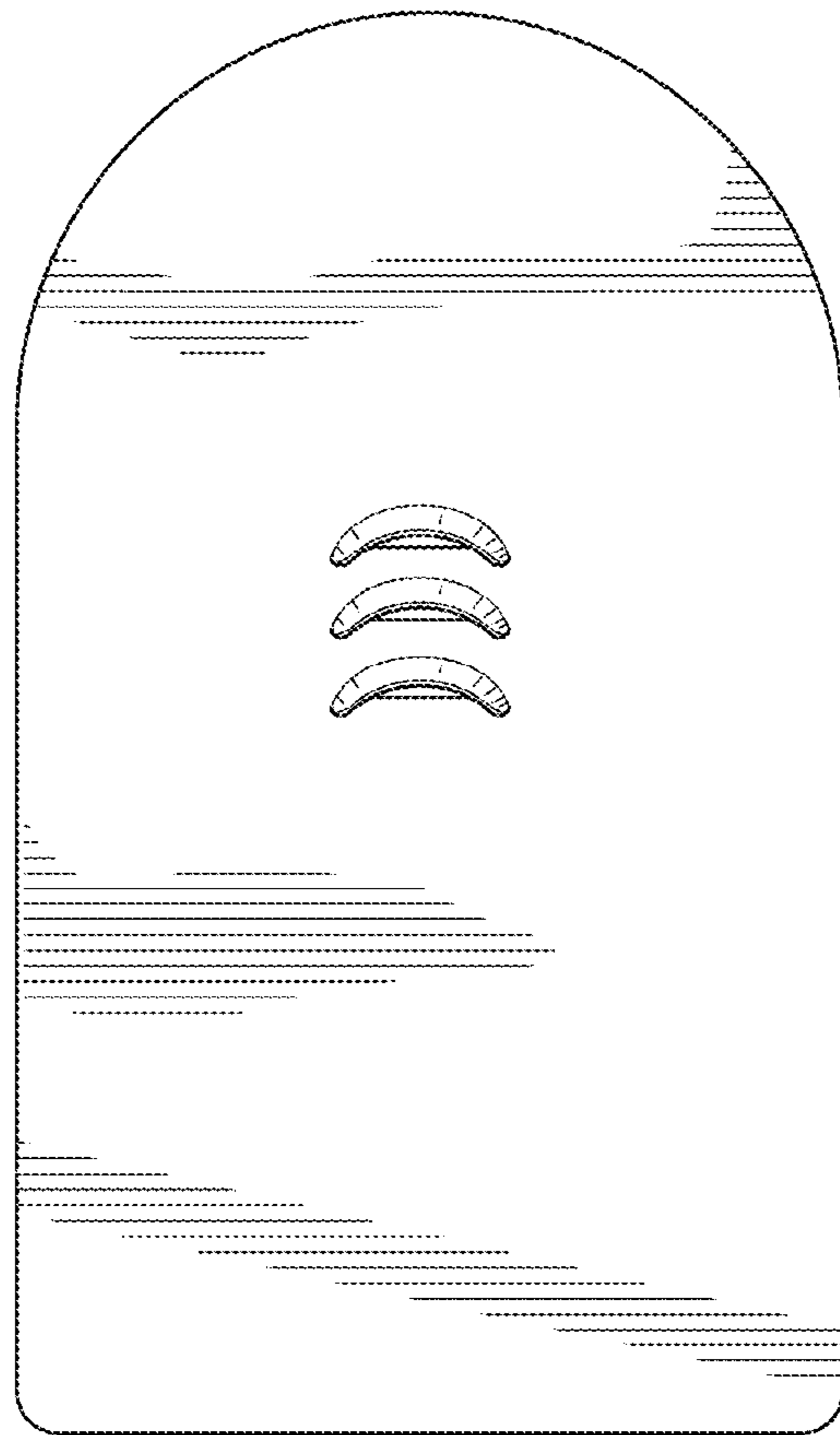


FIG. 4

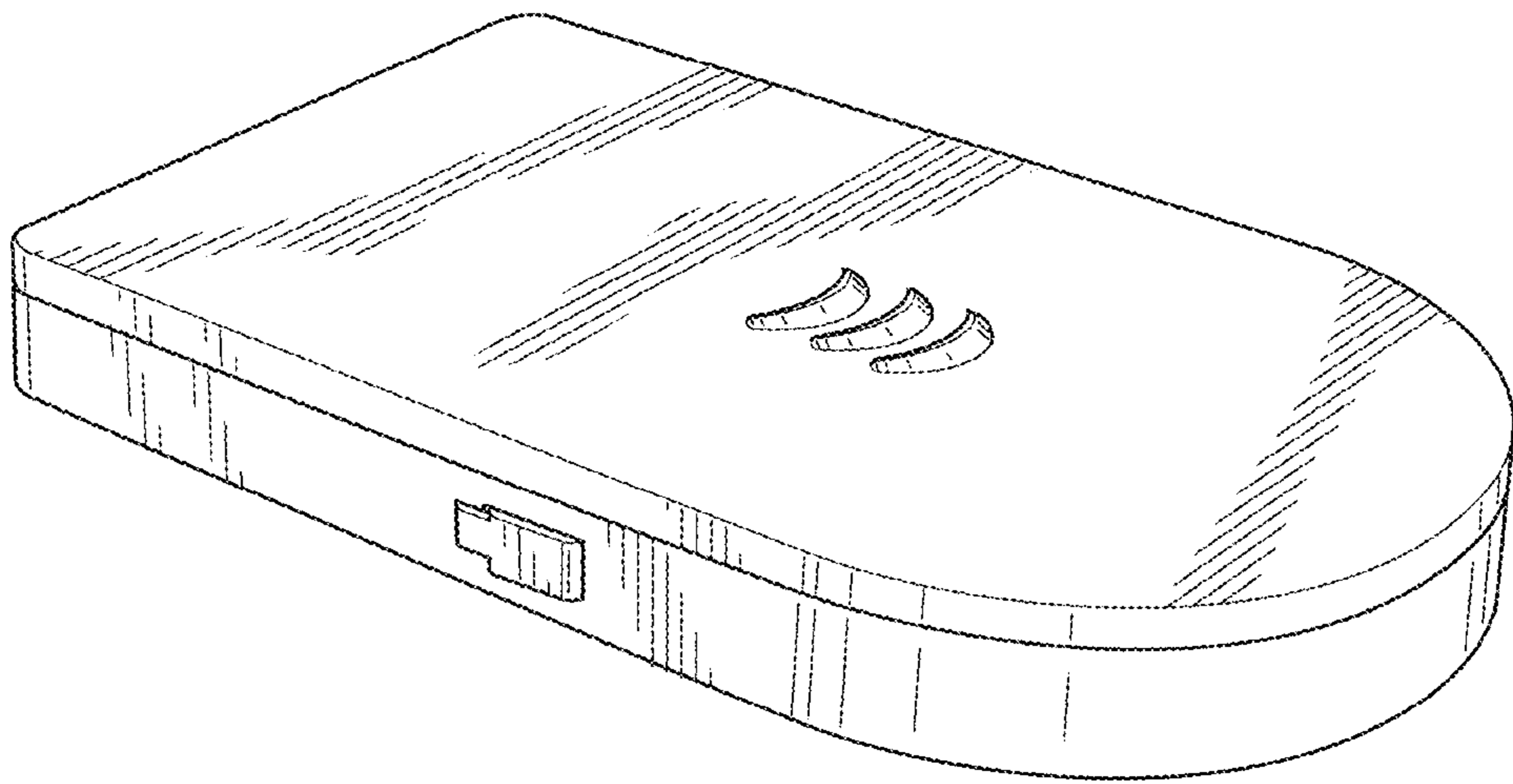


FIG. 5



FIG. 6