



US00D887700S

(12) **United States Design Patent**  
**Folger et al.**

(10) **Patent No.:** **US D887,700 S**  
(45) **Date of Patent:** **\*\* Jun. 23, 2020**

- (54) **ROD HOLDER PACKAGING**
- (71) Applicant: **Warsaw Orthopedic, Inc.**, Warsaw, IN (US)
- (72) Inventors: **Leigh Anna Folger**, Memphis, TN (US); **David Mire**, Collierville, TN (US); **Caleb D. Smith**, Collierville, TN (US); **Christine Carmer**, Memphis, TN (US)
- (73) Assignee: **Warsaw Orthopedic, Inc.**, Warsaw, IN (US)
- (\*\*) Term: **15 Years**
- (21) Appl. No.: **29/674,113**
- (22) Filed: **Dec. 19, 2018**
- (51) **LOC (12) Cl.** ..... **03-01**
- (52) **U.S. Cl.**  
USPC ..... **D3/203.1**
- (58) **Field of Classification Search**  
USPC ..... D3/201, 203.1; D9/732, 414, 415, 416, D9/418, 424, 456; D24/107, 108, 115, D24/229  
CPC .. A61F 2/0095; A61F 2/44; A61J 1/00; A61B 50/30; A61B 2050/3015; A61B 2050/0065; B65D 75/28; B65D 75/36; B65D 83/0088; B65D 83/02  
See application file for complete search history.

(56) **References Cited**

U.S. PATENT DOCUMENTS

- D262,095 S \* 12/1981 Takahashi ..... D9/415
- 4,482,053 A \* 11/1984 Alpern ..... A61L 2/26  
206/439
- 4,623,336 A 11/1986 Pedicano et al.
- 4,923,059 A 5/1990 Evers et al.
- 5,036,889 A 8/1991 Pherigo

- 5,246,109 A \* 9/1993 Markle ..... A61B 5/145  
206/363
- 5,379,895 A \* 1/1995 Foslien ..... A61B 50/30  
206/363
- 5,390,792 A \* 2/1995 Van Ness ..... A61L 2/26  
206/213.1
- 5,485,917 A \* 1/1996 Early ..... B65D 5/725  
206/363
- 5,542,539 A \* 8/1996 Early ..... B65D 5/725  
206/363
- 6,006,917 A \* 12/1999 Loeffler ..... A61F 2/0095  
206/363
- D427,061 S \* 6/2000 Niksich ..... D9/415
- D430,015 S \* 8/2000 Himbert ..... D24/227
- 6,341,694 B1 \* 1/2002 Dawood ..... A61B 50/20  
206/438
- 6,594,971 B1 \* 7/2003 Addy ..... A61B 1/00142  
53/413
- 7,243,791 B2 \* 7/2007 Detry ..... A61F 2/0063  
206/363
- D584,141 S \* 1/2009 Smith ..... D9/414
- D600,112 S \* 9/2009 Cote ..... D9/414
- D603,253 S \* 11/2009 Cote ..... D9/414
- D614,023 S \* 4/2010 Amos ..... D9/416

(Continued)

Primary Examiner — Steven J Czyz

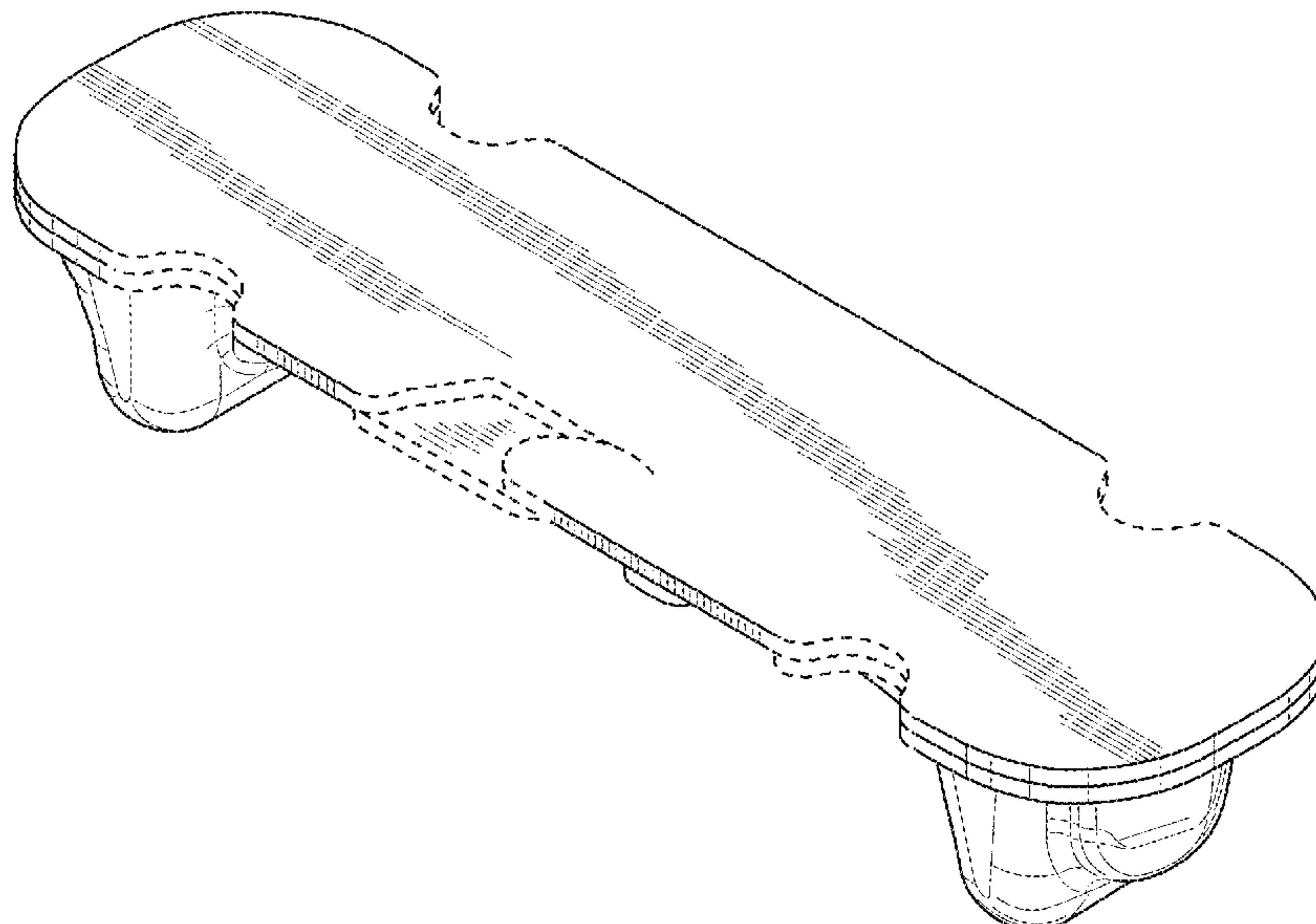
(57) **CLAIM**

The ornamental design for a rod holder packaging, as shown and described.

**DESCRIPTION**

FIG. 1 is a perspective view of a rod holder packaging; FIG. 2 is a side view of the rod holder packaging; FIG. 3 is a side view of the rod holder packaging; FIG. 4 is a top view of the rod holder packaging; FIG. 5 is a bottom view of the rod holder packaging; FIG. 6 is an end view of the rod holder packaging; and, FIG. 7 is an end view of the rod holder packaging. The broken lines depict portions of the article that form no part of the claimed design.

**1 Claim, 6 Drawing Sheets**



(56)

**References Cited**

U.S. PATENT DOCUMENTS

8,584,849 B2 \* 11/2013 McCaffrey ..... A61M 25/002  
206/364  
D700,047 S \* 2/2014 Bloch ..... D9/415  
D715,639 S \* 10/2014 Sumiyoshi ..... D9/424  
D748,494 S \* 2/2016 DeMaere ..... D9/732  
D750,502 S \* 3/2016 Kirchmayr ..... D9/732  
D751,726 S \* 3/2016 Nishioka ..... D24/229  
D788,936 S \* 6/2017 Schill ..... D24/229  
D788,937 S \* 6/2017 Schill ..... D24/229  
9,828,157 B2 \* 11/2017 Roesler ..... B65D 77/02  
D812,476 S \* 3/2018 Bergeron ..... D9/456  
D816,501 S \* 5/2018 Oldham ..... D9/456  
D827,423 S \* 9/2018 DeMaere ..... D9/415  
D848,845 S \* 5/2019 Dacey ..... D9/456  
D856,147 S \* 8/2019 Anderson ..... D9/456  
2013/0161344 A1 6/2013 Park et al.  
2013/0284629 A1 \* 10/2013 Kinyon ..... A61F 2/0095  
206/438

\* cited by examiner

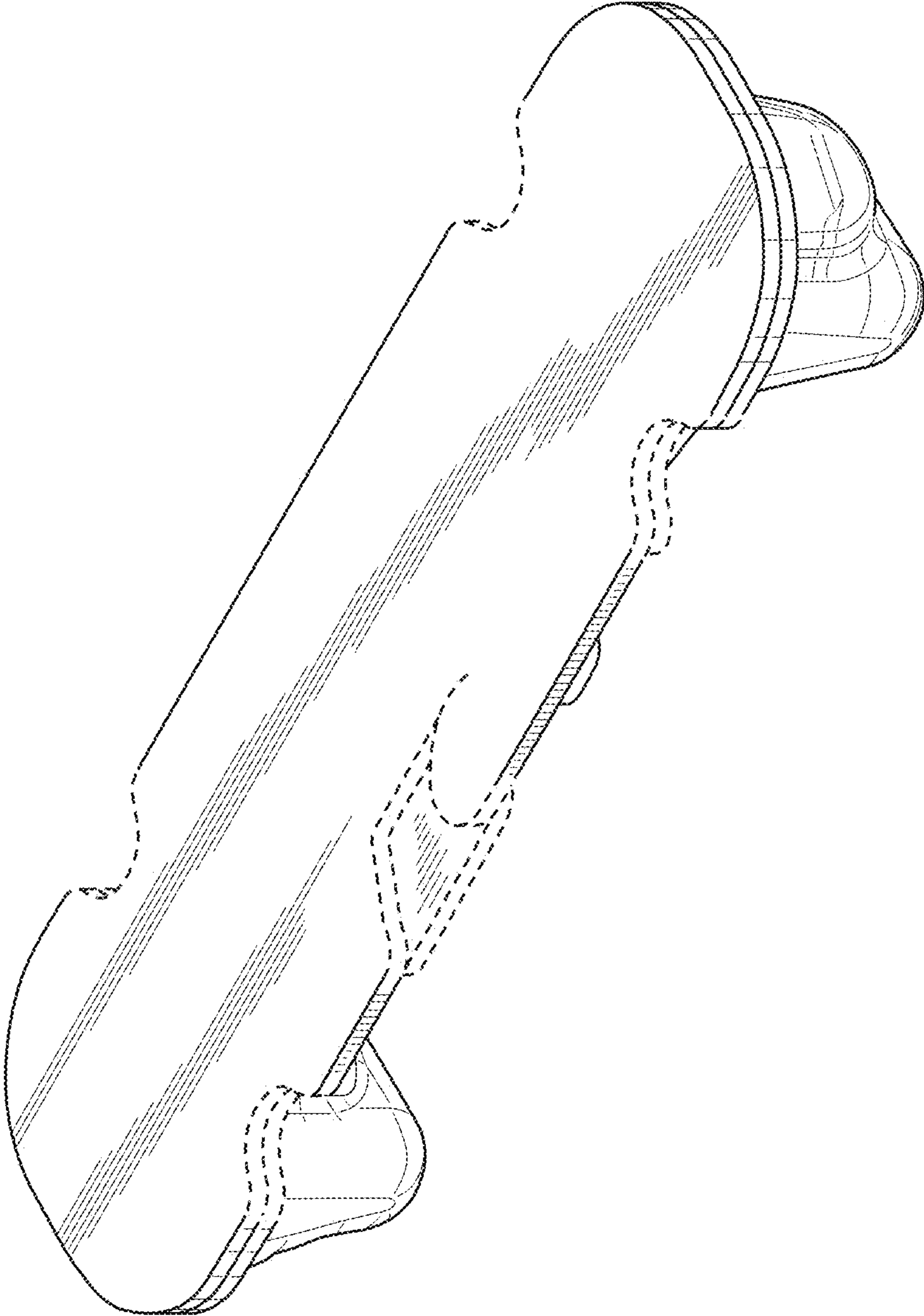


FIG. 1

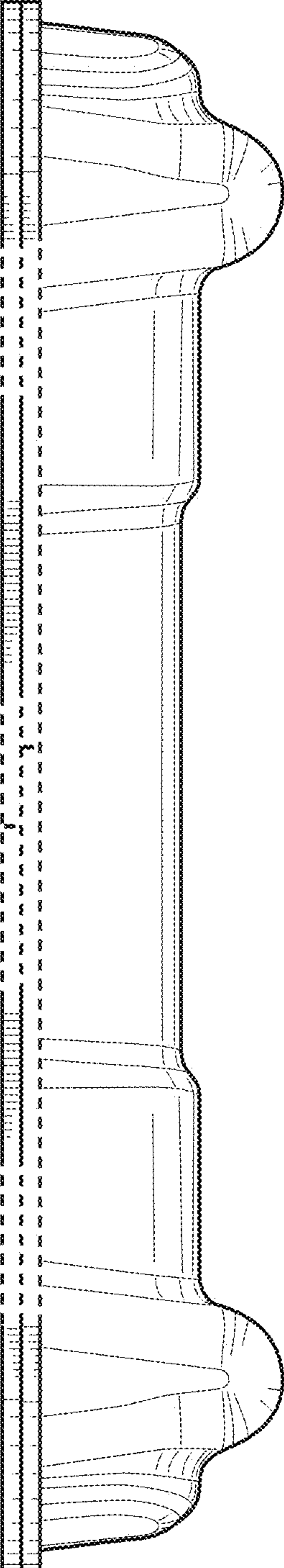


FIG. 2

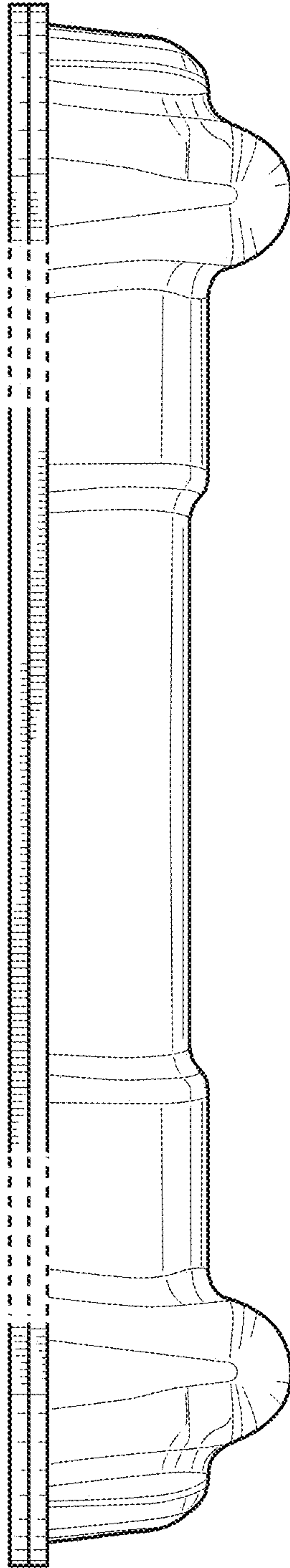


FIG. 3



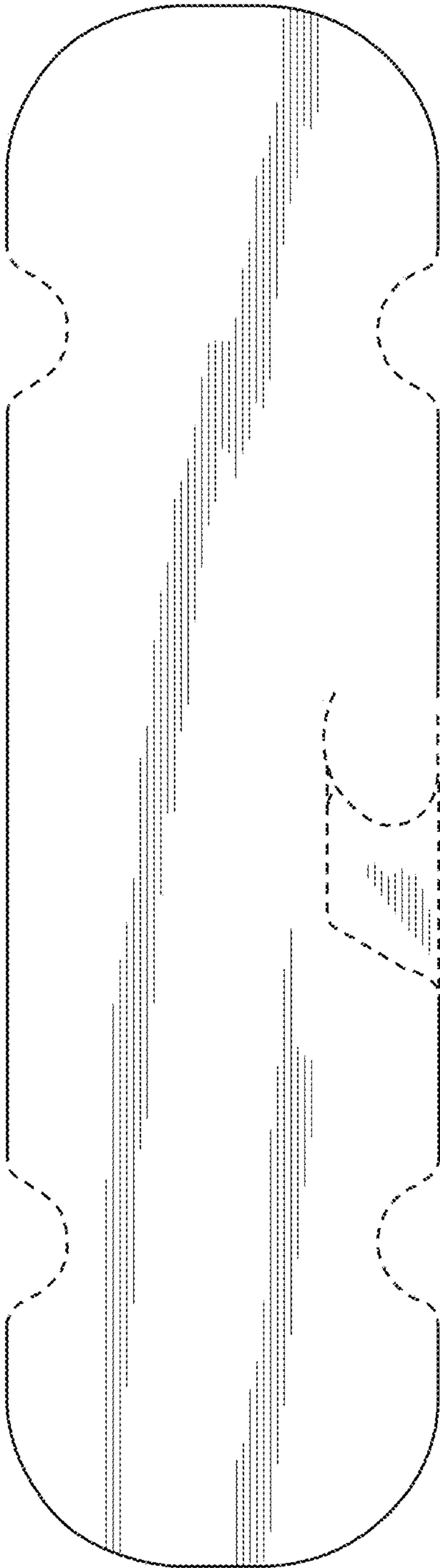


FIG. 4

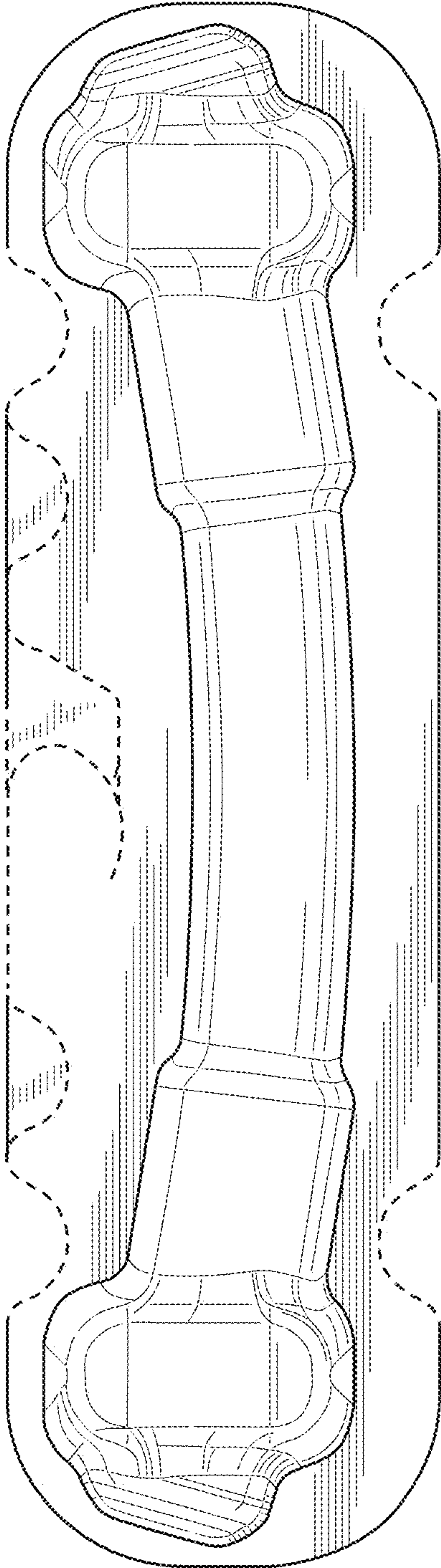
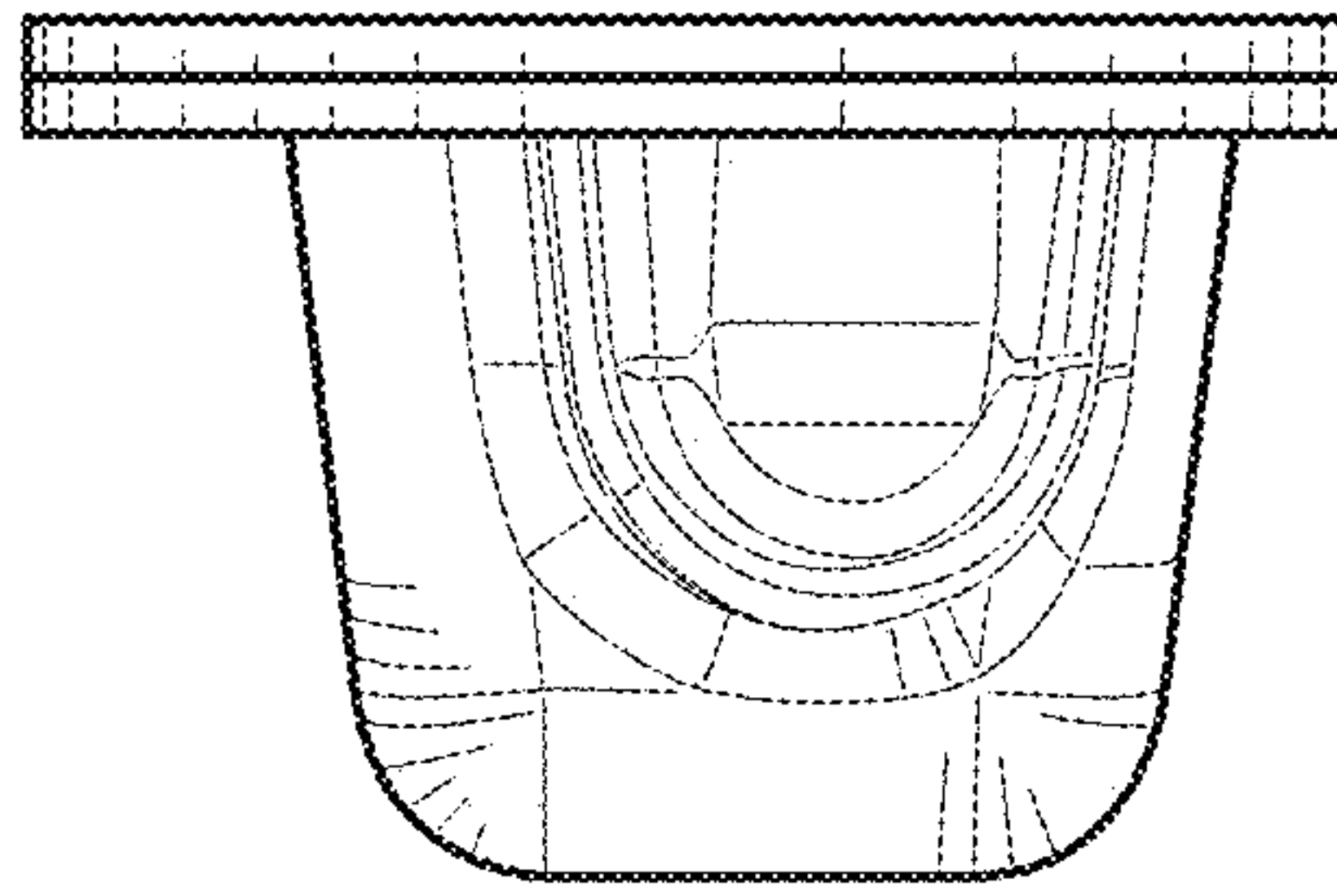
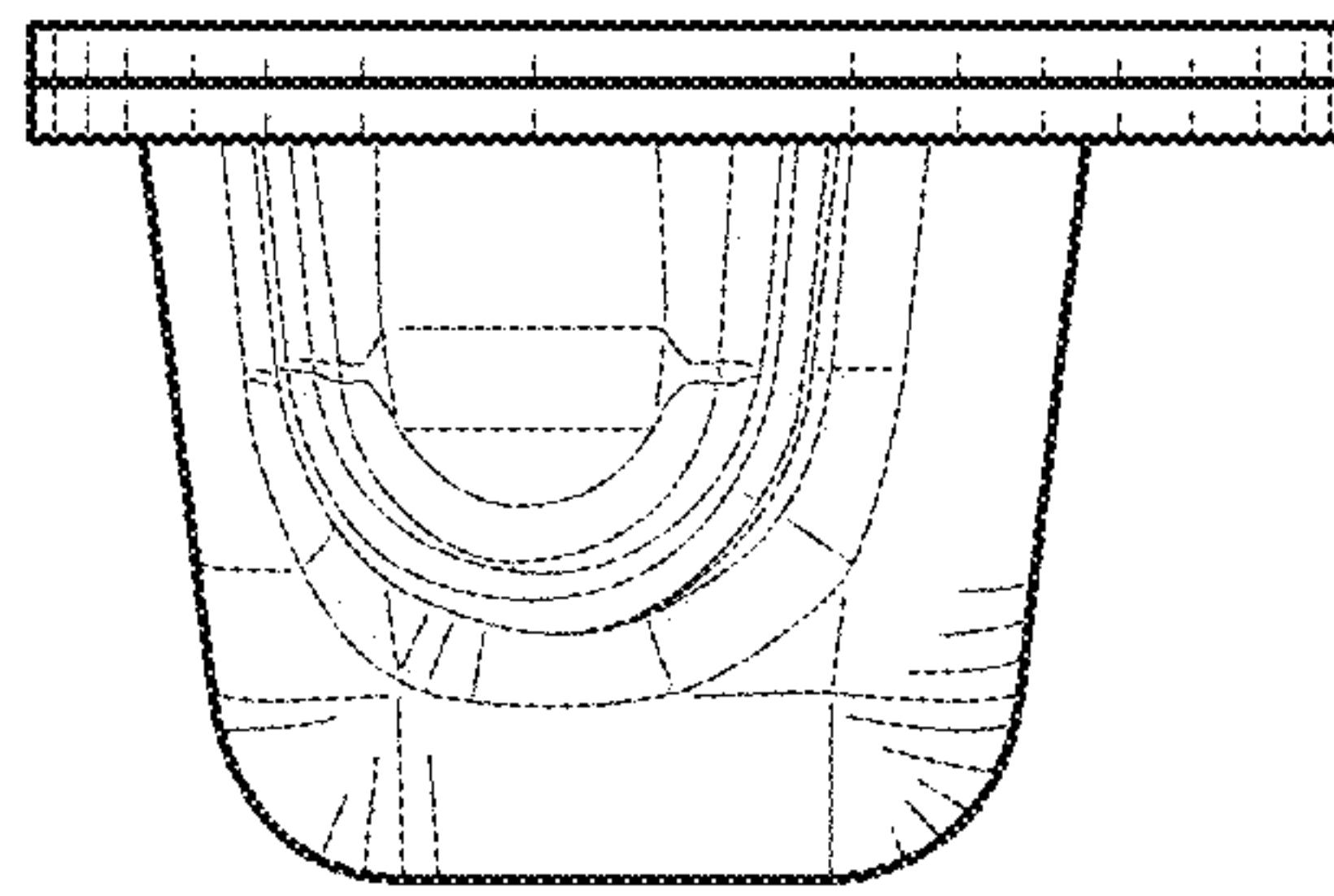


FIG. 5



**FIG. 6**



**FIG. 7**