



US00D887695S

(12) **United States Design Patent**  
**Ono**

(10) **Patent No.:** **US D887,695 S**

(45) **Date of Patent:** **\*\* Jun. 23, 2020**

- (54) **PORTION OF HEEL FOR SHOES**
- (71) Applicant: **New World Company Inc.**, Tokyo (JP)
- (72) Inventor: **Tomohiro Ono**, Tokyo (JP)
- (73) Assignee: **NEW WORLD COMPANY INC.**,  
Tokyo (JP)

D647,291 S *	10/2011	Ringholz	.....	D2/965
D662,297 S *	6/2012	Ringholz	.....	D2/965
D666,402 S *	9/2012	Healy	.....	D2/965
D670,076 S *	11/2012	Choi	.....	D2/965
D677,870 S *	3/2013	Healy	.....	D2/965
D718,029 S *	11/2014	Javits, Jr.	.....	D2/965
D750,880 S *	3/2016	Weber	.....	D2/965
D799,172 S *	10/2017	Groves Hill	.....	D2/915

(Continued)

(\*\*) Term: **15 Years**

(21) Appl. No.: **29/653,204**

(22) Filed: **Jun. 13, 2018**

(51) **LOC (12) Cl.** ..... **02-04**

(52) **U.S. Cl.**  
USPC ..... **D2/965**

(58) **Field of Classification Search**  
USPC ..... D2/896, 918, 925, 926, 927, 946, 964,  
D2/965, 966, 967, 968  
CPC ..... A43B 1/00; A43B 1/0072; A43B 1/10;  
A43B 1/14; A43B 21/00; A43B 21/02;  
A43B 21/06; A43B 21/08; A43B 21/18;  
A43B 21/20; A43B 21/22; A43B 21/24;  
A43B 21/26; A43B 21/36; A43B 21/54  
See application file for complete search history.

(56) **References Cited**

**U.S. PATENT DOCUMENTS**

D113,018 S *	1/1939	Schwartz	.....	D2/965
2,142,539 A *	1/1939	Treat	.....	A43B 21/00 36/34 R
2,212,263 A *	8/1940	Convy	.....	A43B 21/00 36/34 B
2,291,791 A *	8/1942	Casserd	.....	A43B 5/12 36/139
2,299,840 A *	10/1942	Merritt	.....	A43B 13/37 12/142 J
2,328,319 A *	8/1943	Barton	.....	A43B 21/00 264/301
2,489,018 A *	11/1949	Dodge	.....	A43B 3/16 36/1
D535,087 S *	1/2007	Amado	.....	D2/947

**OTHER PUBLICATIONS**

Ono et al., Statement about the first selling of the products of the subject designs, <https://www.new-world-company.com/>, Jun. 15, 2017, 1 page.

*Primary Examiner* — Elizabeth J Oswecki

(74) *Attorney, Agent, or Firm* — Muncy, Geissler, Olds & Lowe, P.C.

(57) **CLAIM**

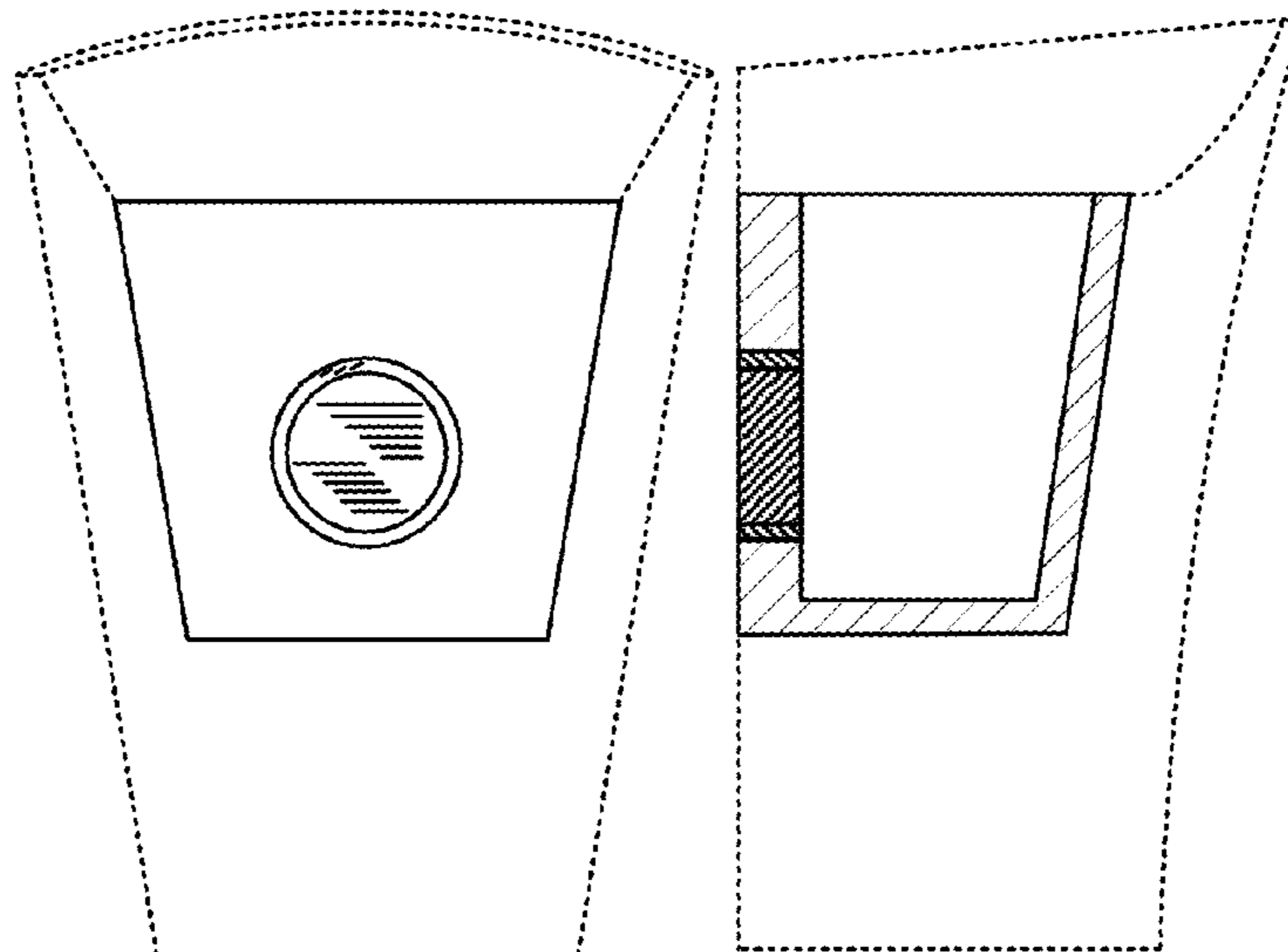
The ornamental design for a portion of heel for shoes, as shown and described.

**DESCRIPTION**

FIG. 1 is a front view of a first embodiment of a portion of heel for shoes showing my new design;  
FIG. 2 is a top plan view thereof;  
FIG. 3 is a top, perspective view thereof;  
FIG. 4 is a cross-sectional view taken along line IV-IV of FIG. 3;  
FIG. 5 is a front view of a second embodiment a portion of heel for shoes showing my new design;  
FIG. 6 is a top plan view thereof;  
FIG. 7 is a top, perspective view thereof; and,  
FIG. 8 is cross-sectional view taken along line VIII-VIII of FIG. 7.

The broken lines illustrate environment structure and form no part of the claimed design. All surfaces not shown form no part of the claimed design.

**1 Claim, 2 Drawing Sheets**



(56)

**References Cited**

U.S. PATENT DOCUMENTS

D804,795 S \* 12/2017 Negri ..... D2/965  
D812,885 S \* 3/2018 Spring ..... D2/965

\* cited by examiner

Fig 1

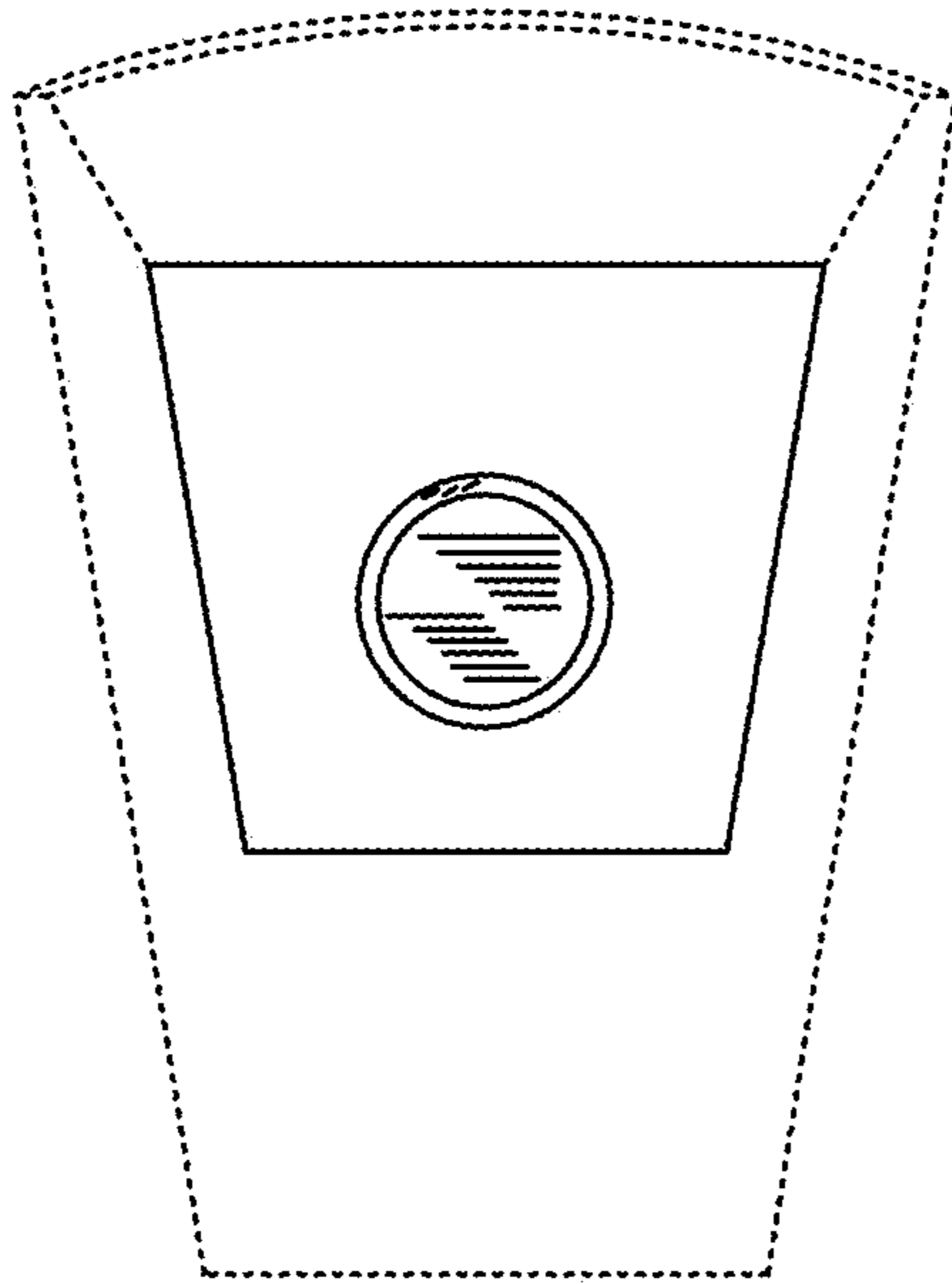


Fig 2

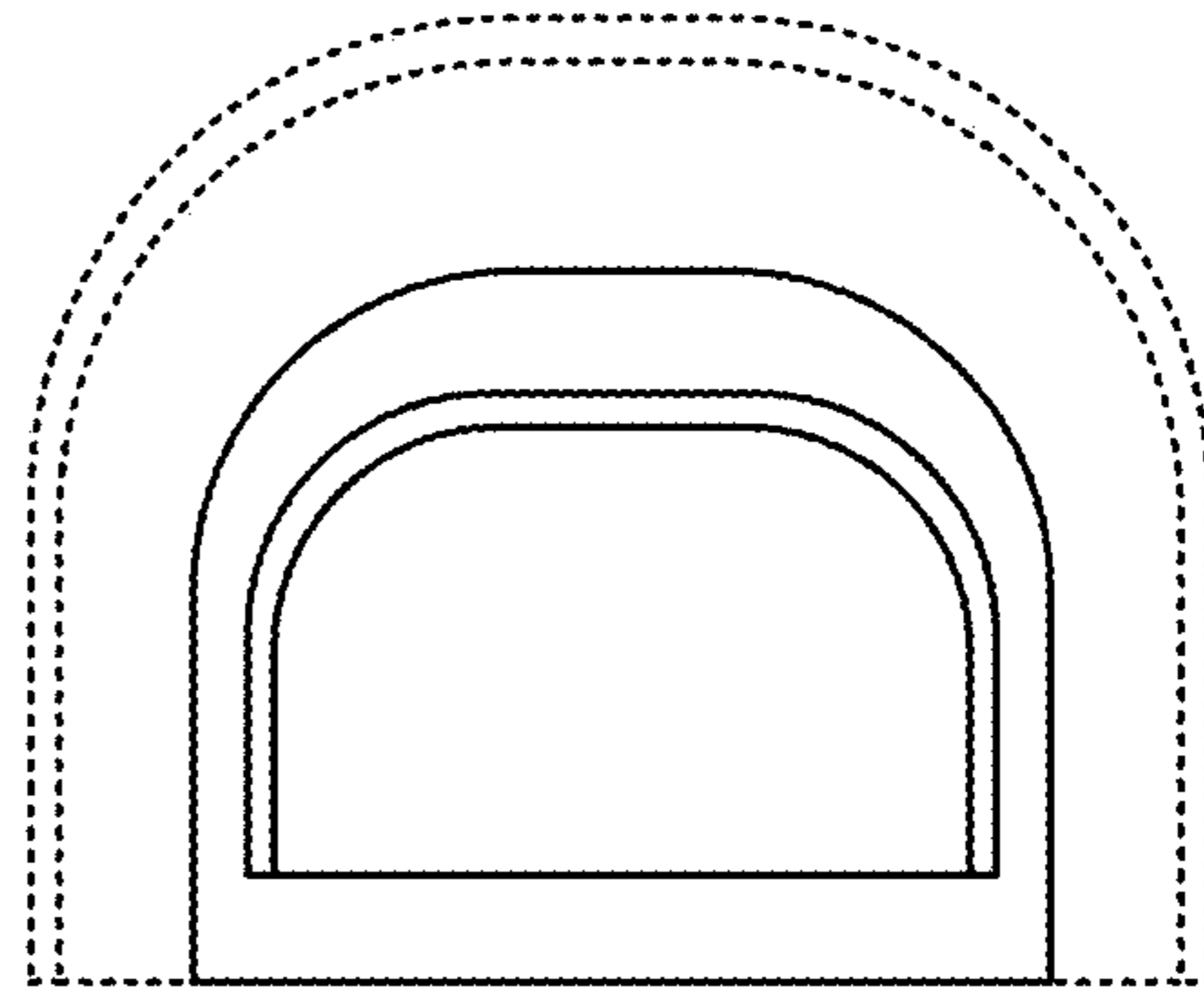


Fig 3

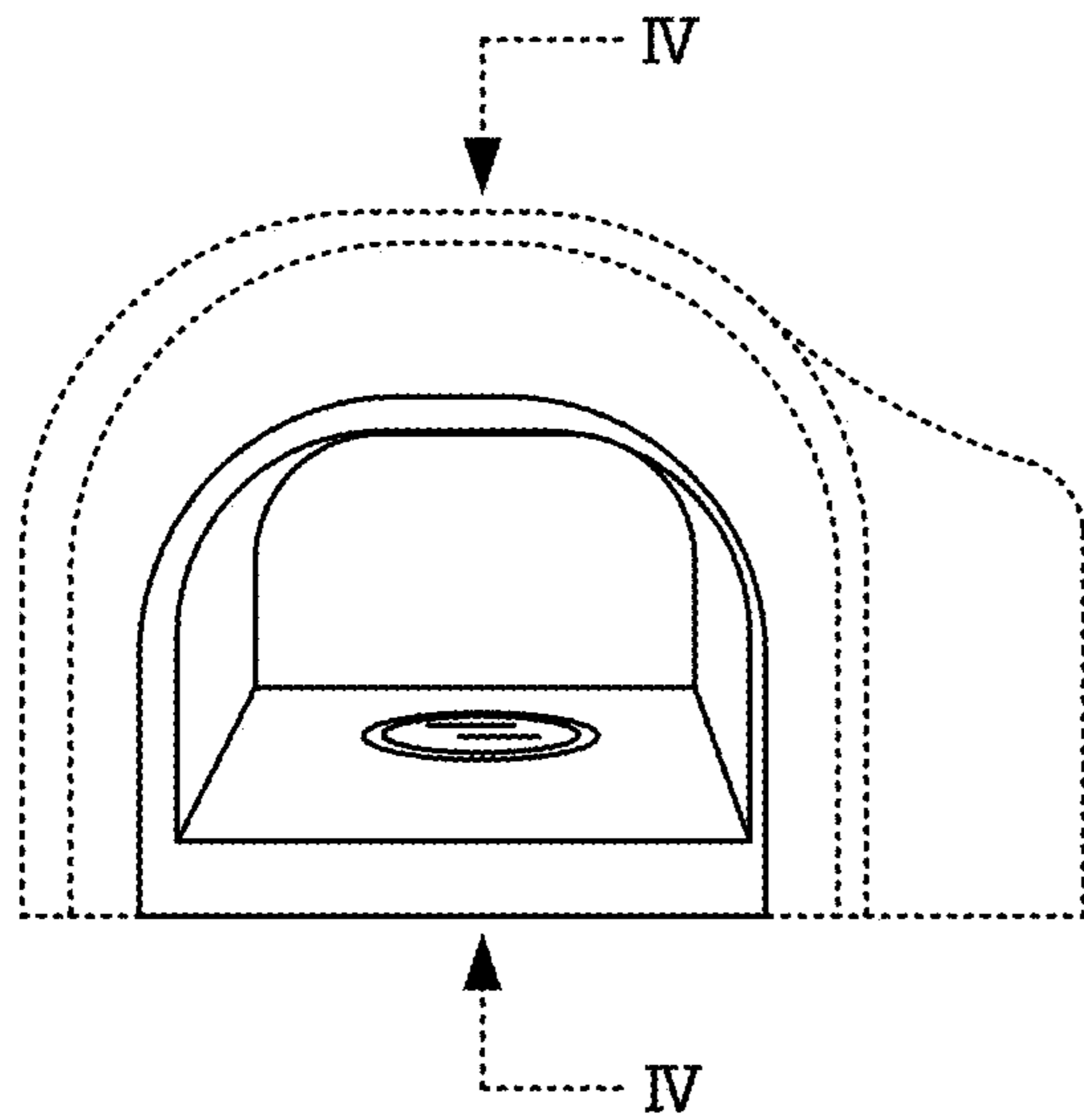


Fig 4

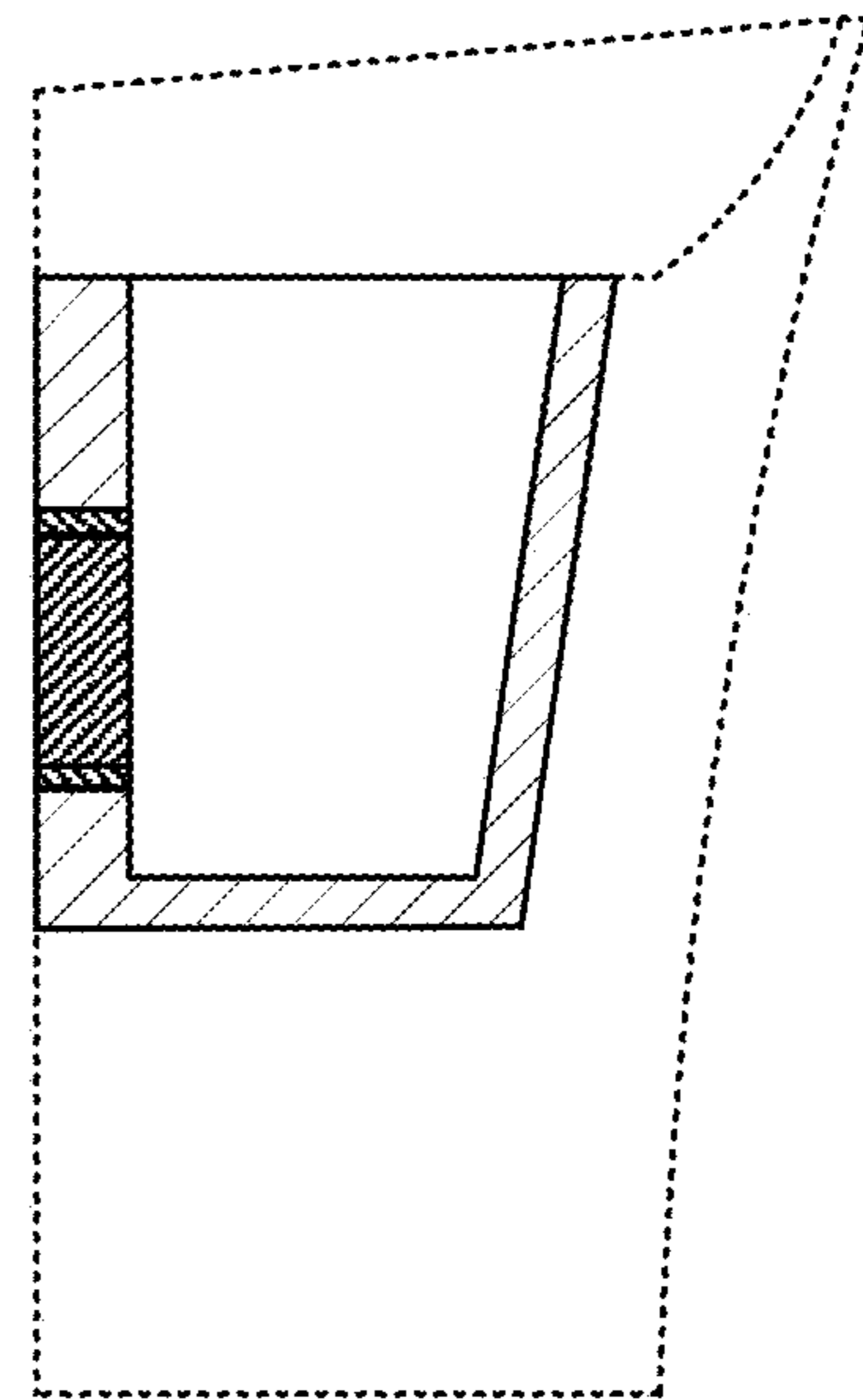


Fig 5

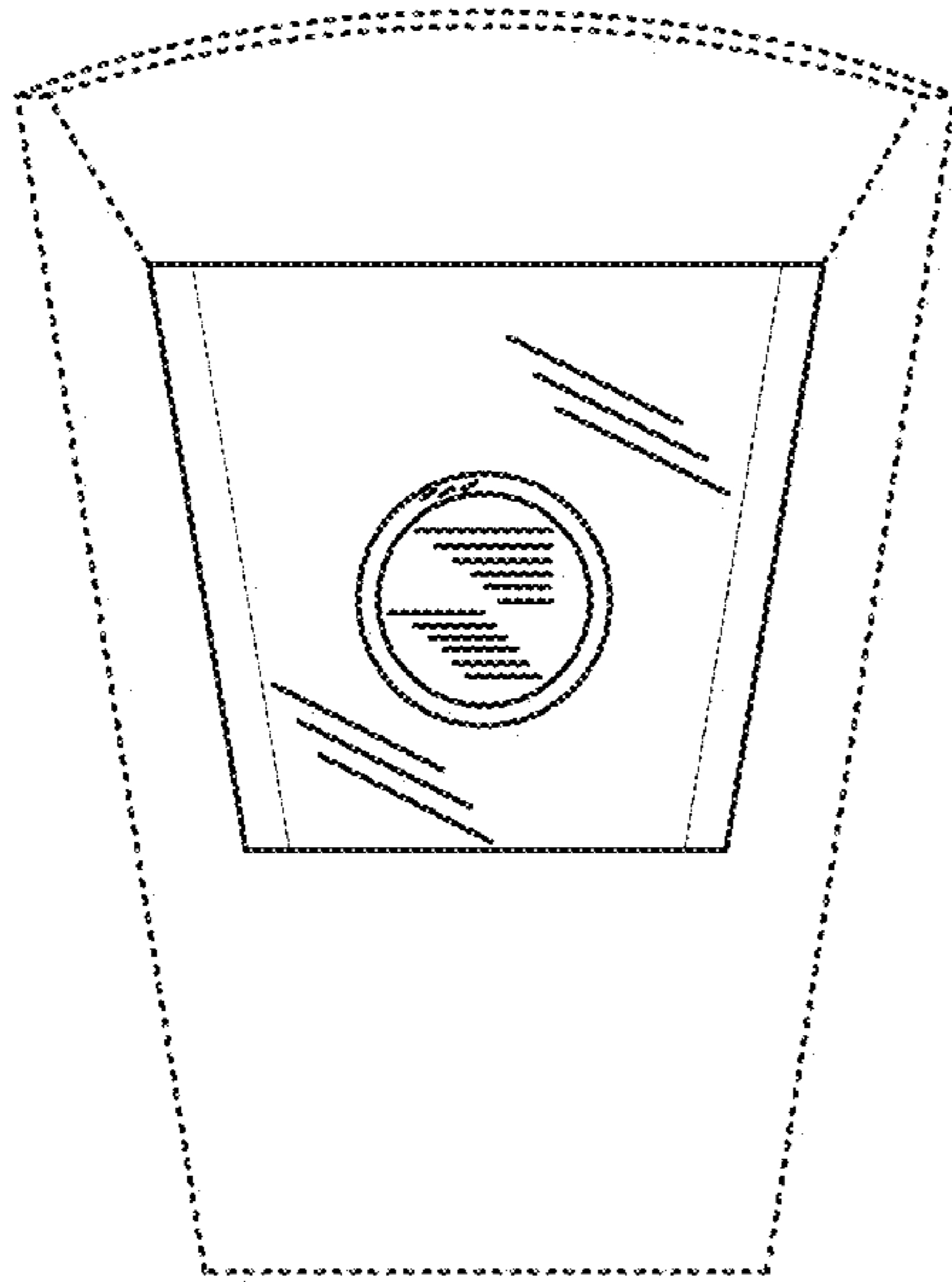


Fig 6

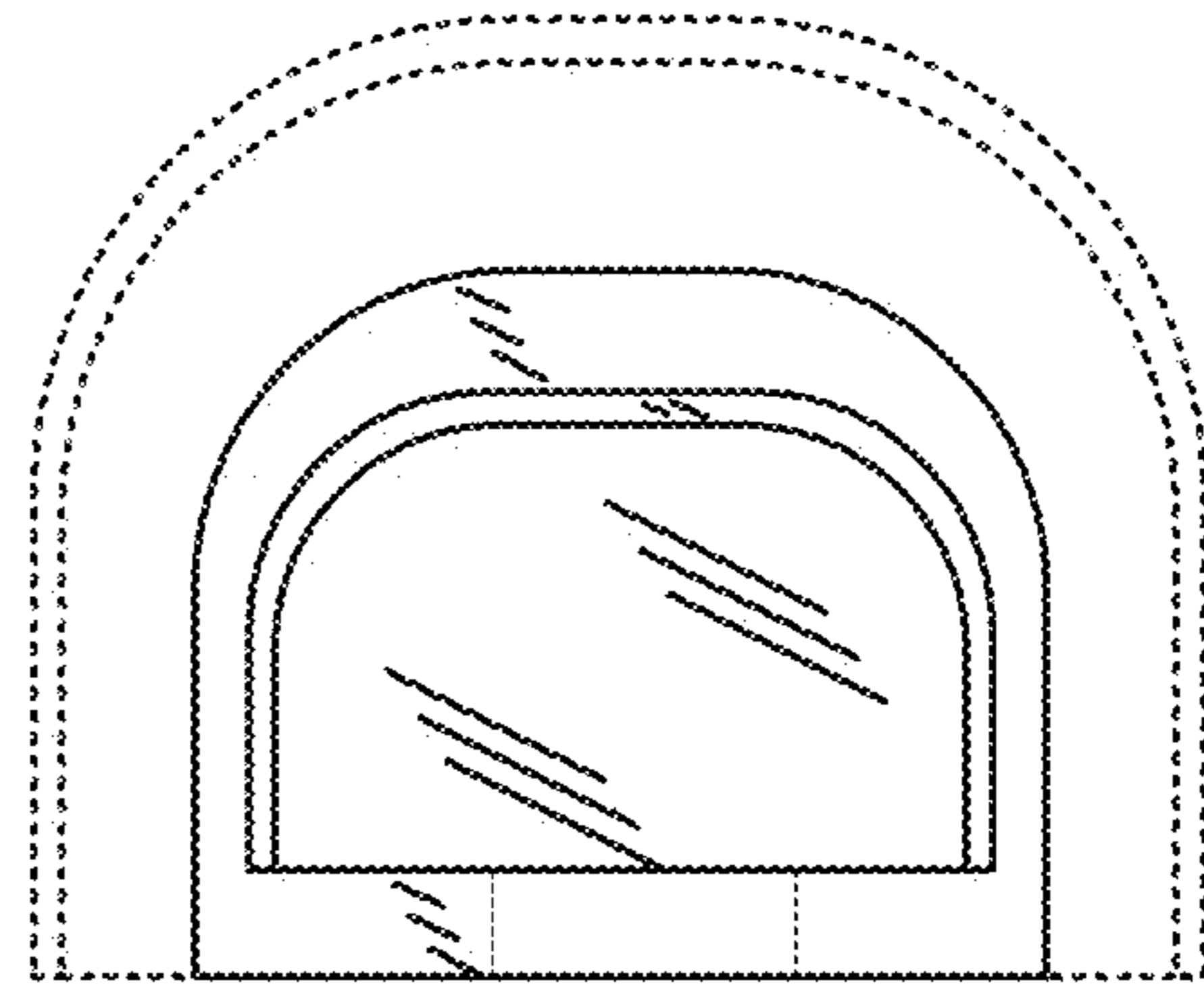


Fig 7

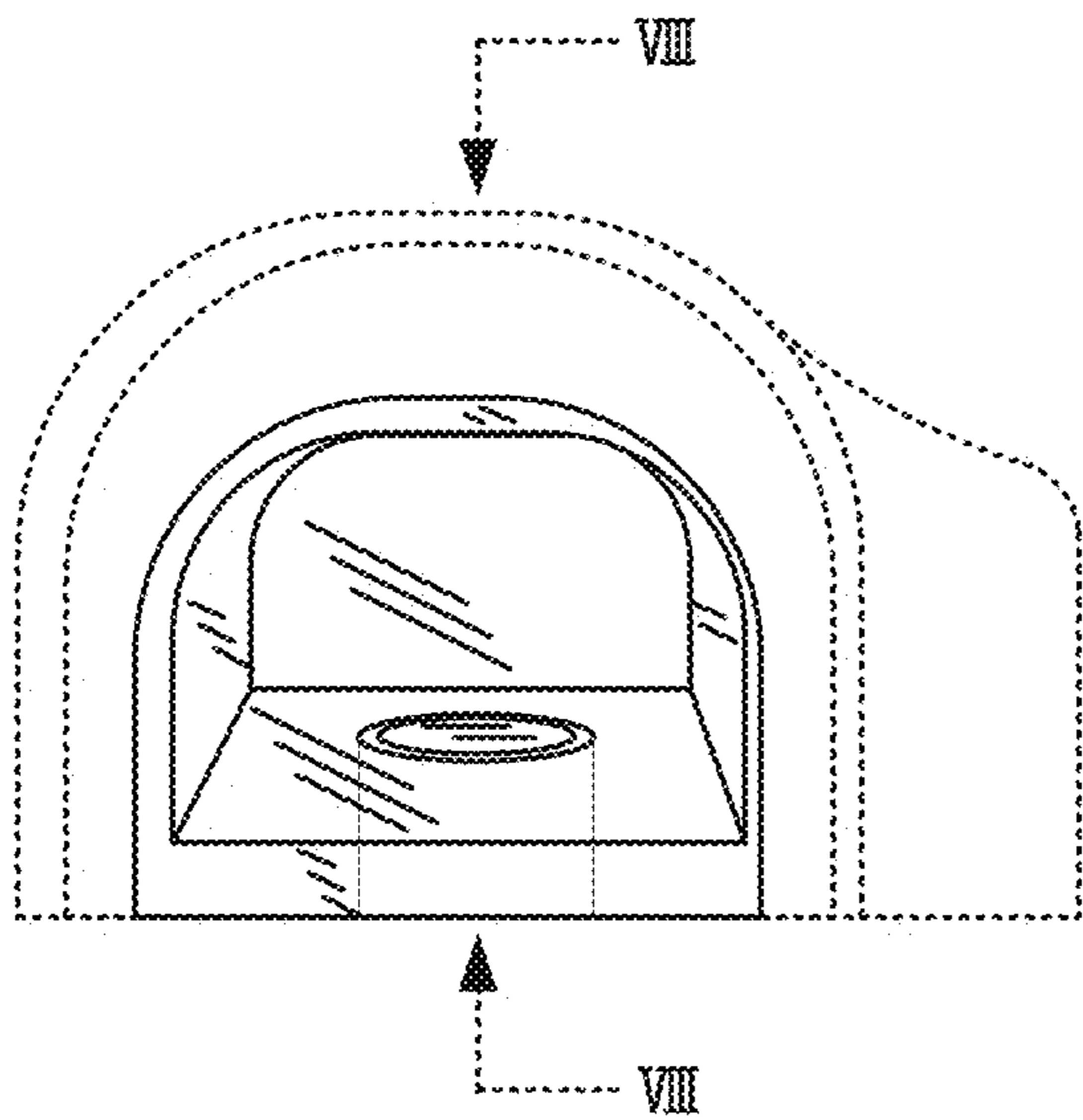


Fig 8

