



US00D887694S

(12) **United States Design Patent**
Bradley

(10) **Patent No.:** **US D887,694 S**
(45) **Date of Patent:** **** Jun. 23, 2020**

- (54) **HEEL PAD FOR A SHOE**
- (71) Applicant: **Intricate Forte, Inc.**, Latham, NY (US)
- (72) Inventor: **Tina B. Bradley**, Latham, NY (US)
- (73) Assignee: **INTRICATE FORTE, INC.**, Latham, NY (US)
- (**) Term: **15 Years**
- (21) Appl. No.: **29/641,704**
- (22) Filed: **Mar. 23, 2018**

Related U.S. Application Data

- (63) Continuation-in-part of application No. 15/566,162, filed on Oct. 12, 2017.
- (51) **LOC (12) Cl.** **02-04**
- (52) **U.S. Cl.**
USPC **D2/961**
- (58) **Field of Classification Search**
USPC D2/915, 946, 961; 2/61; 36/7 R, 71.5, 36/72 R, 72 A, 72 B, 73
CPC A43B 23/28; A43B 5/007; A43B 9/00; A43B 3/166
See application file for complete search history.

(56) **References Cited**

U.S. PATENT DOCUMENTS

- | | | | | |
|---------------|---------|----------|-------|-----------------------|
| 1,838,487 A * | 12/1931 | Josephs | | A43B 23/28
36/70 R |
| 1,844,280 A * | 2/1932 | Hacker | | A43B 23/28
36/70 R |
| 1,946,591 A | 2/1934 | Saito | | |
| 2,716,249 A | 8/1955 | Holloway | | |
- (Continued)

OTHER PUBLICATIONS

International Search Report and Written Opinion of the International Searching Authority, dated Jun. 30, 2016, from International

Application No. PCT/US2016/026606, filed on Apr. 8, 2016. Seven pages.

Primary Examiner — Cynthia Ramirez
Assistant Examiner — Laura H Yu
(74) *Attorney, Agent, or Firm* — Amster, Rothstein & Ebenstein LLP

(57) **CLAIM**

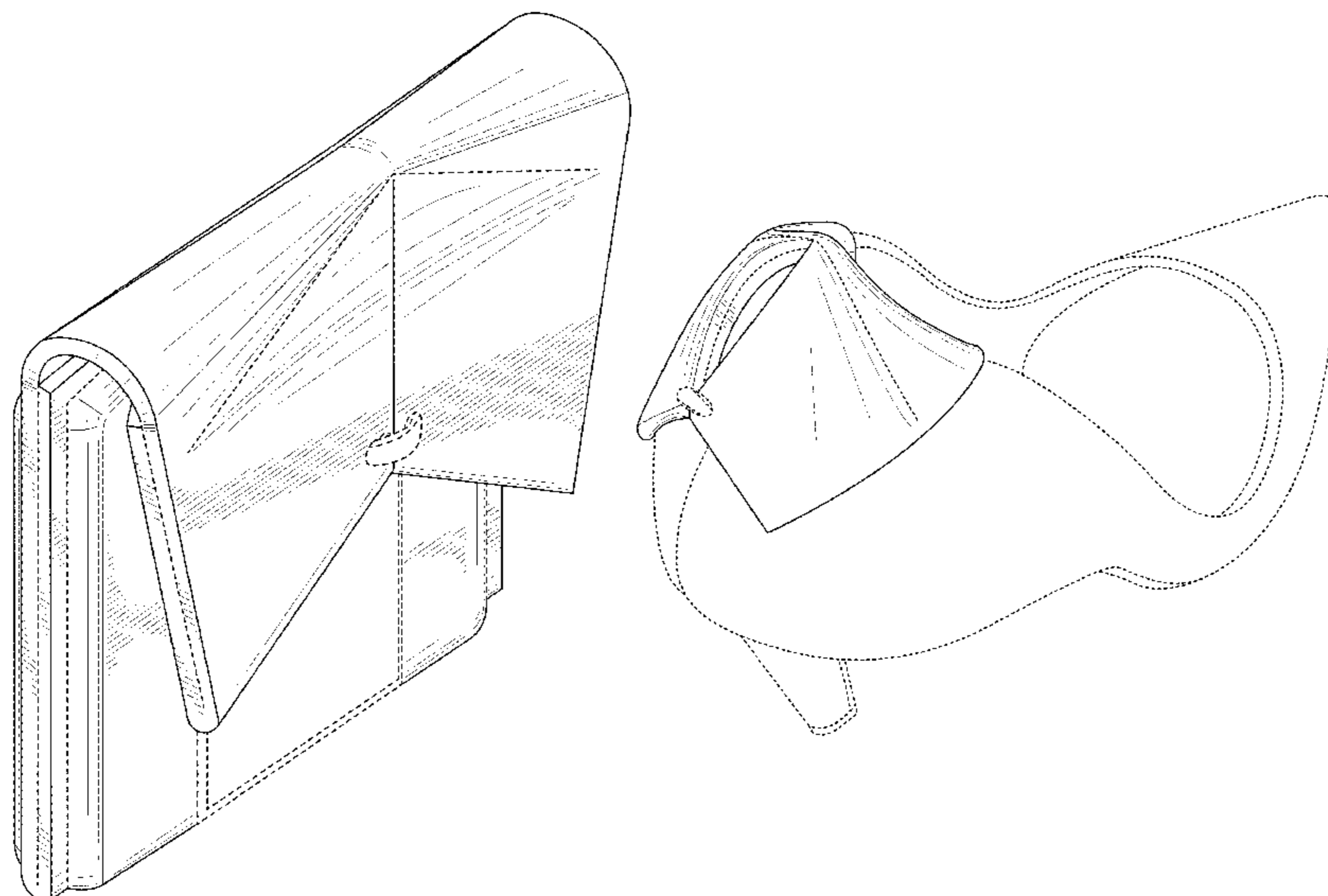
The ornamental design for a heel pad for a shoe, as shown and described.

DESCRIPTION

FIG. 1 is a perspective view of the heel pad for a shoe of the present invention;
 FIG. 2 is a front view of the heel pad for a shoe in a closed position;
 FIG. 3 is a back view of the heel pad for a shoe in the closed position;
 FIG. 4 is a left side view of the heel pad for a shoe in the closed position, the right side being a mirror image thereof;
 FIG. 5 is a top view of the heel pad for a shoe in the closed position;
 FIG. 6 is a bottom view of the heel pad for a shoe in the closed position;
 FIG. 7 is a front view of the heel pad for a shoe in an open, flattened position;
 FIG. 8 is a back view of the heel pad for a shoe in an open, flattened position;
 FIG. 9 is a top view of the heel pad for a shoe in an open, flattened position; and,
 FIG. 10 is a perspective view of the heel pad for a shoe, shown in use.

The broken lines in the drawings illustrating a shoe are environmental structure and form no part of the claimed design. All other broken lines illustrate portions of the heel pad for a shoe that form no part of the claimed design.

1 Claim, 9 Drawing Sheets



(56)

References Cited

U.S. PATENT DOCUMENTS

3,063,172	A *	11/1962	Beattie	A43B 5/007 36/72 B
3,112,571	A *	12/1963	Musgrave	A43B 3/166 36/70 R
4,503,628	A *	3/1985	Mancinelli	A43B 23/28 36/58.6
4,642,916	A *	2/1987	Collins	A43B 23/28 36/58.5
5,090,140	A	2/1992	Sessa	
D328,965	S *	9/1992	Ewing	D2/961
D374,336	S *	10/1996	de Silva	D2/915
D411,758	S *	7/1999	Karim	D2/915
6,584,707	B1	7/2003	Racine et al.	
7,204,043	B2 *	4/2007	Kilgore	A43B 9/00 36/105
7,168,188	B2	6/2007	Auger et al.	
D571,540	S *	6/2008	Granito	D2/915
D667,630	S *	9/2012	Christ	D3/215
8,424,117	B2	4/2013	Hasan et al.	
D705,535	S *	5/2014	Stapleton	D2/946
D806,997	S *	1/2018	Whiting	D2/946
2013/0333242	A1	12/2013	Whiting	
2014/0338224	A1	11/2014	Sketch et al.	

* cited by examiner

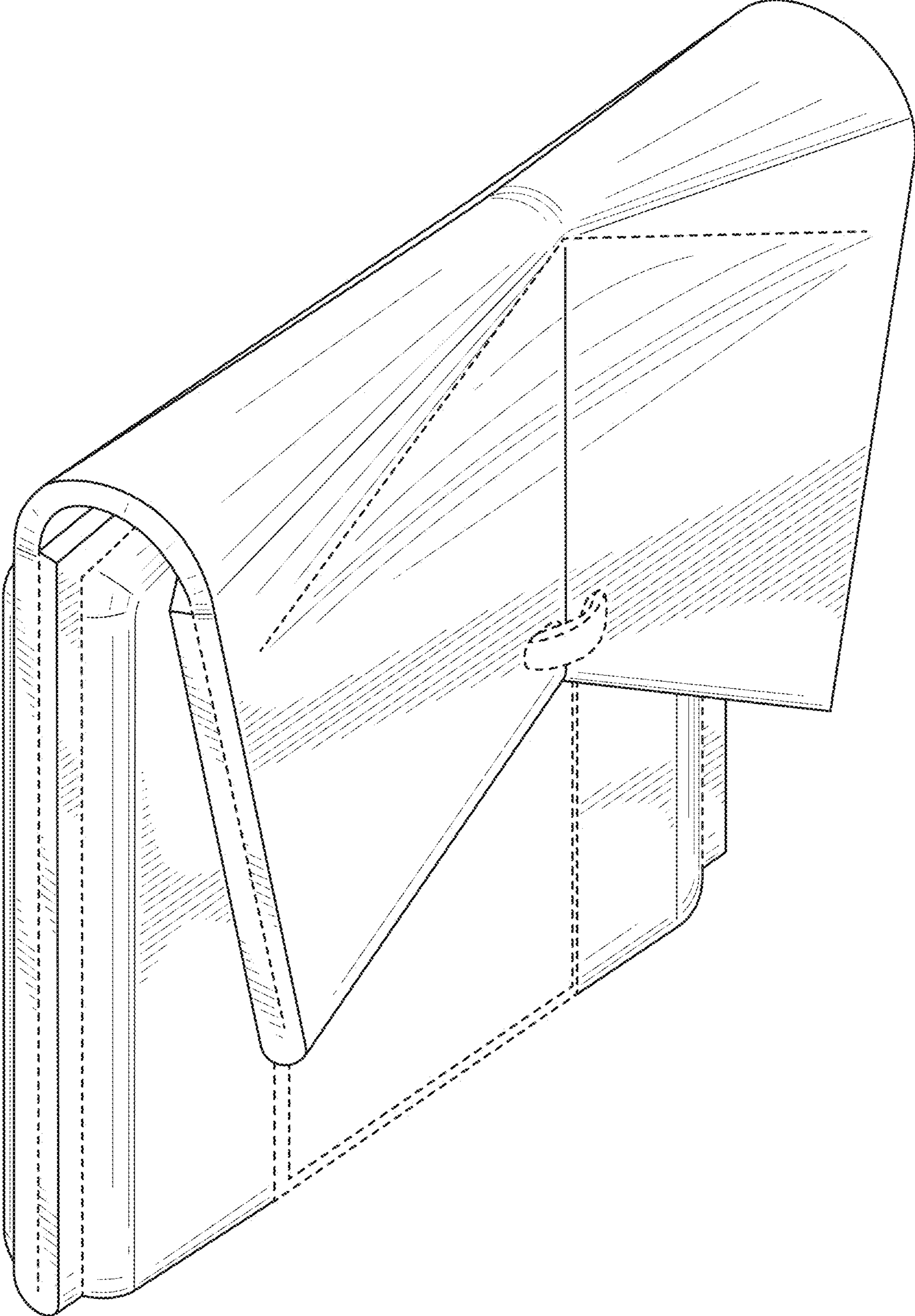


FIG. 1

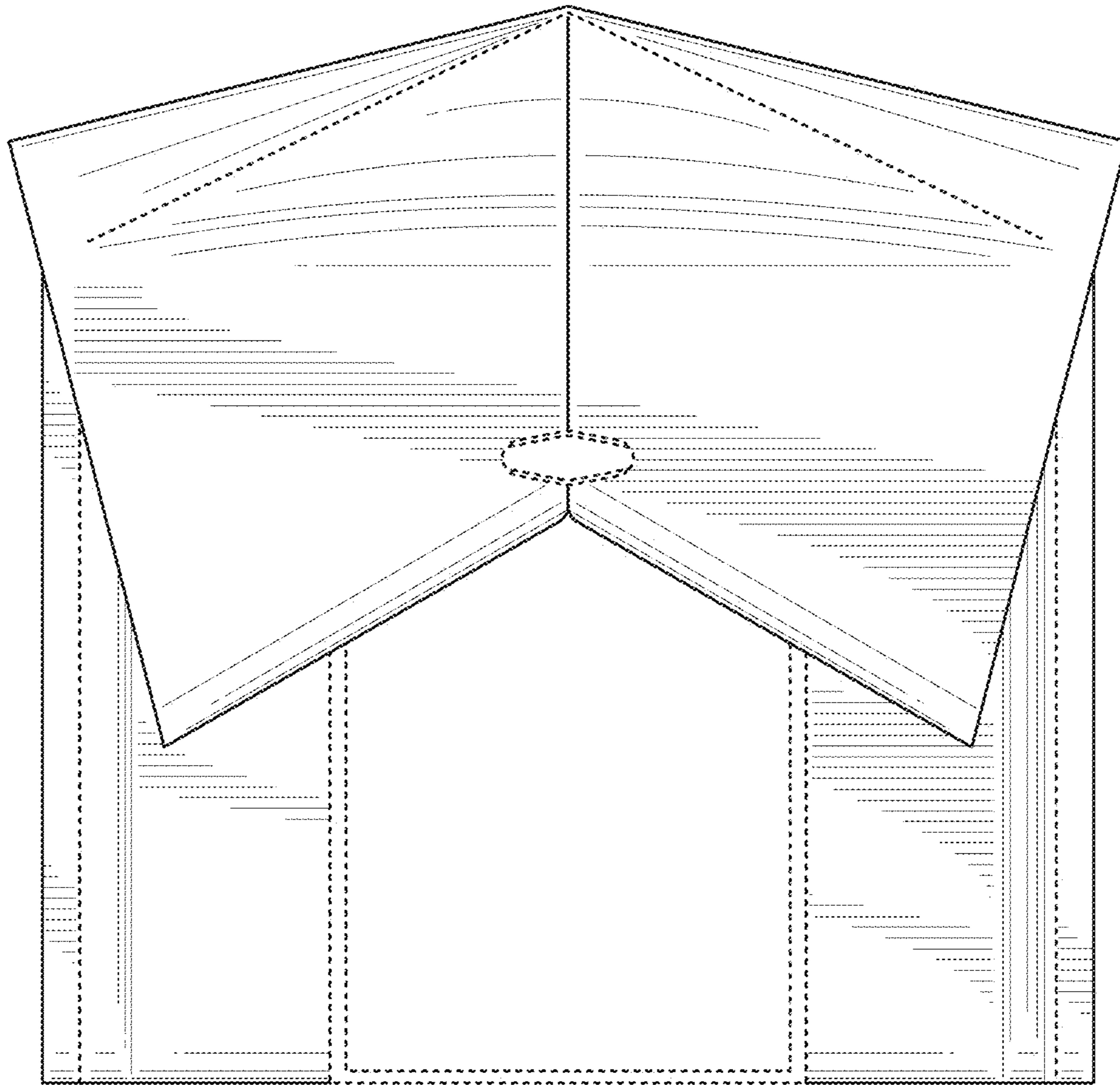


FIG. 2

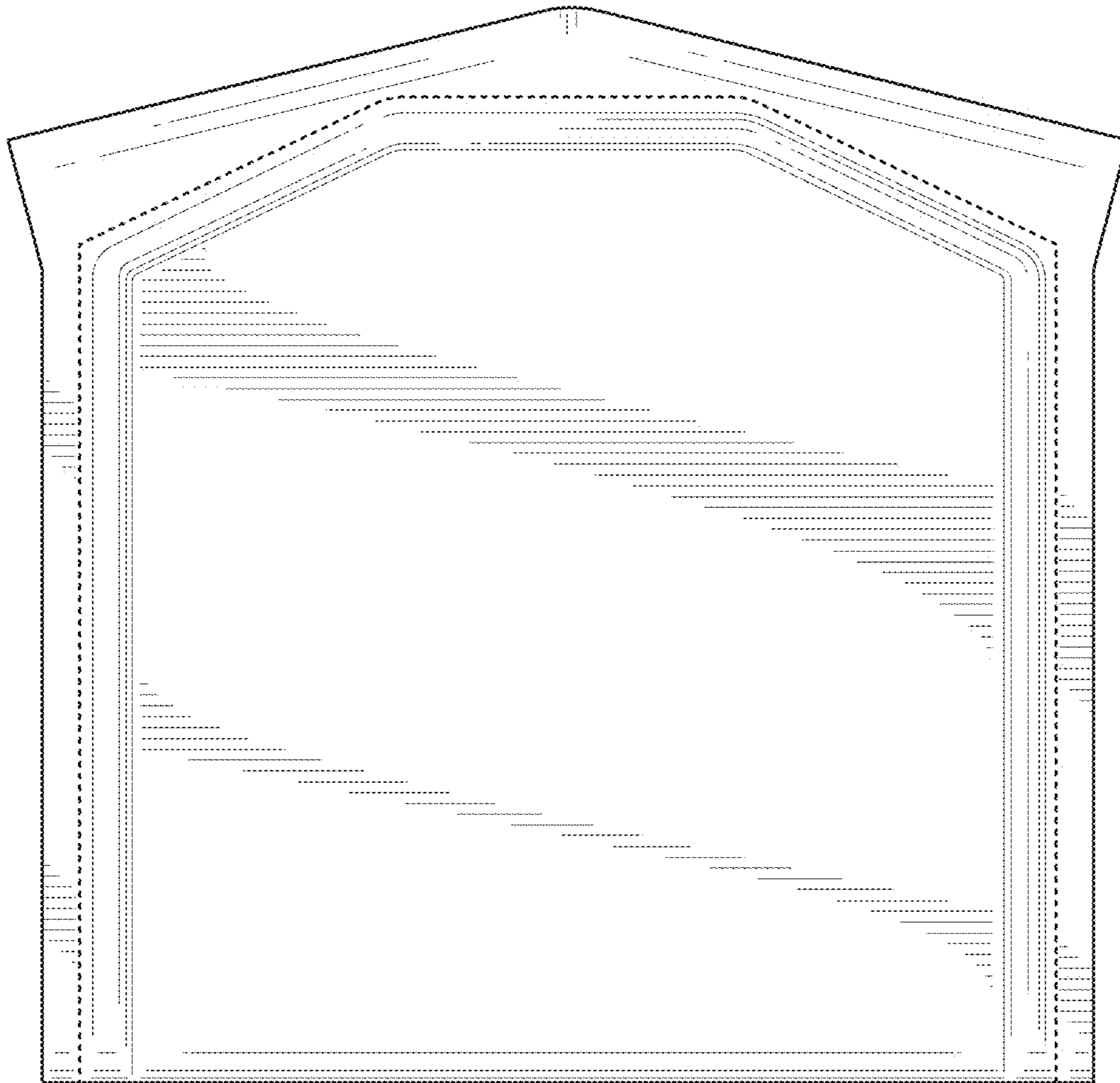


FIG. 3

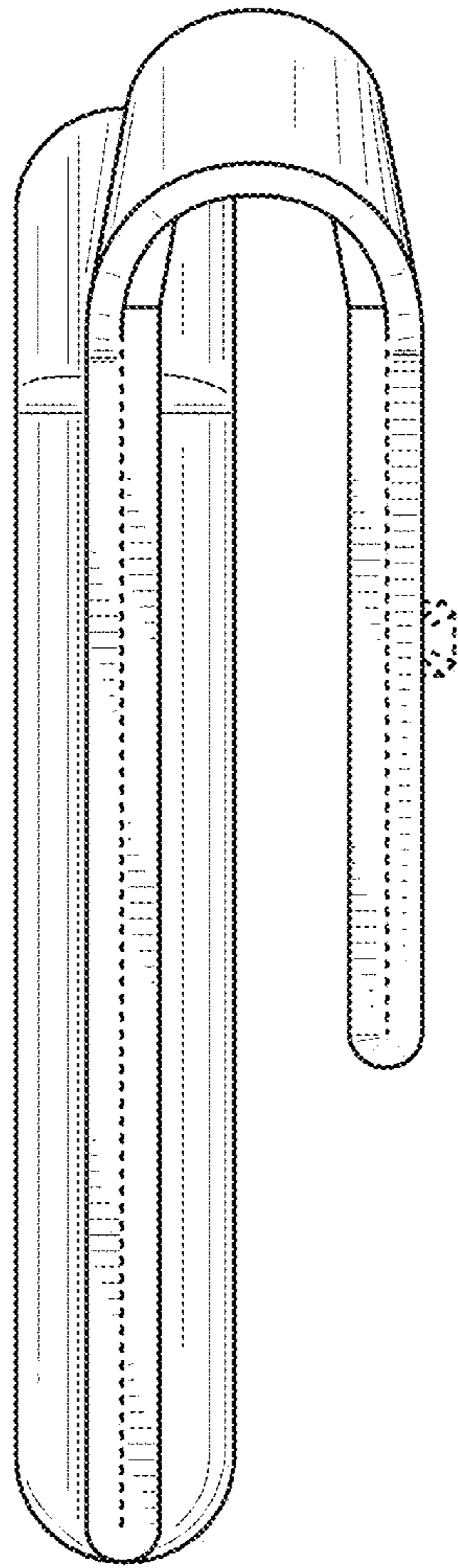


FIG. 4

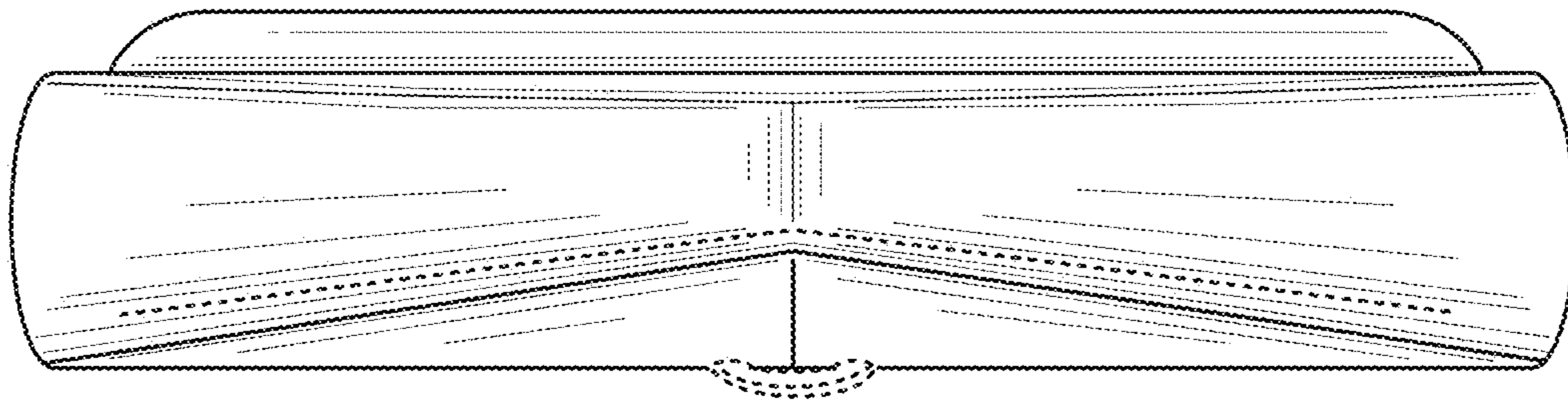


FIG. 5

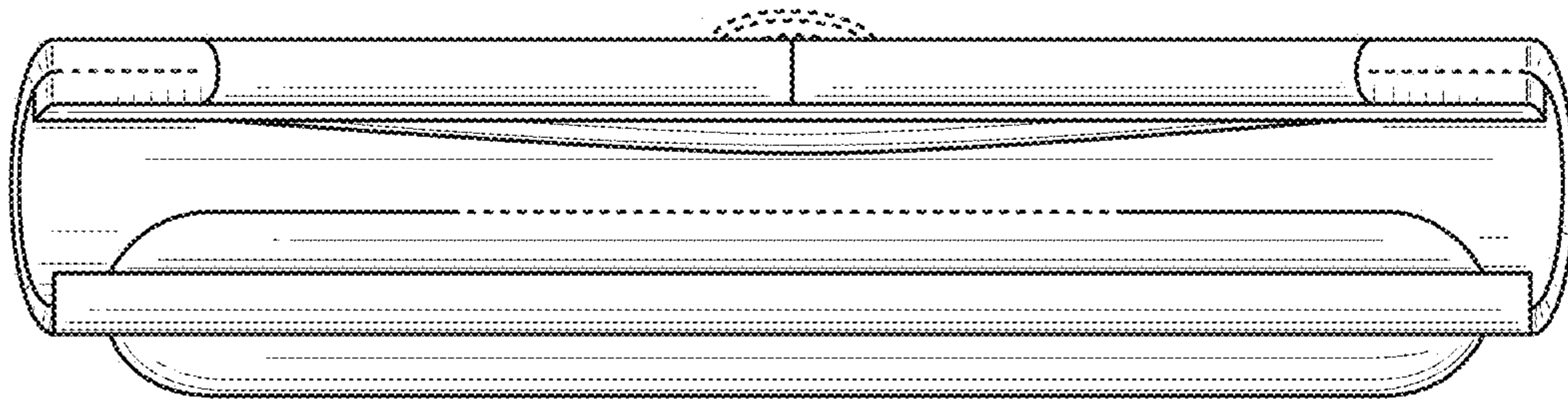


FIG. 6

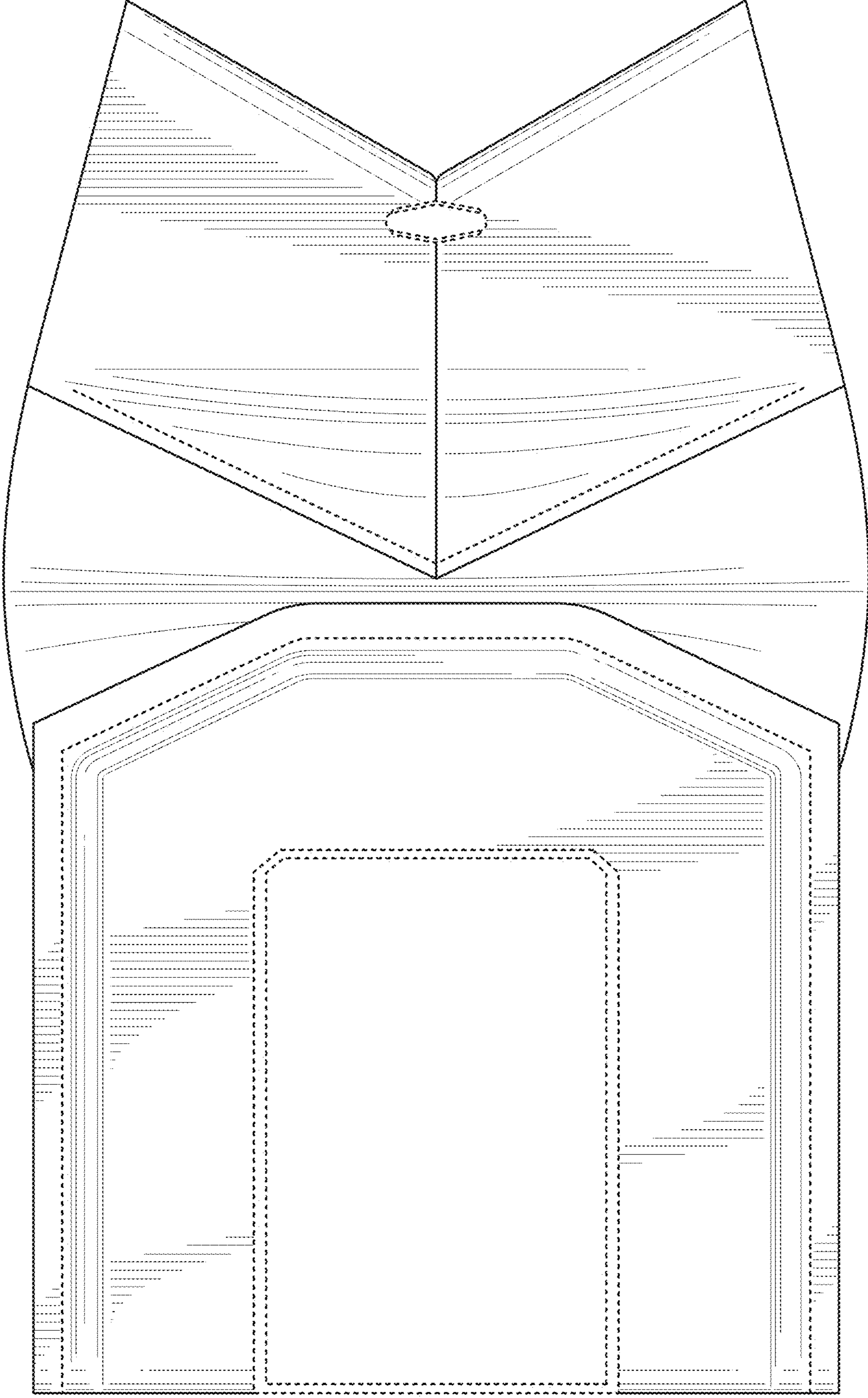


FIG. 7

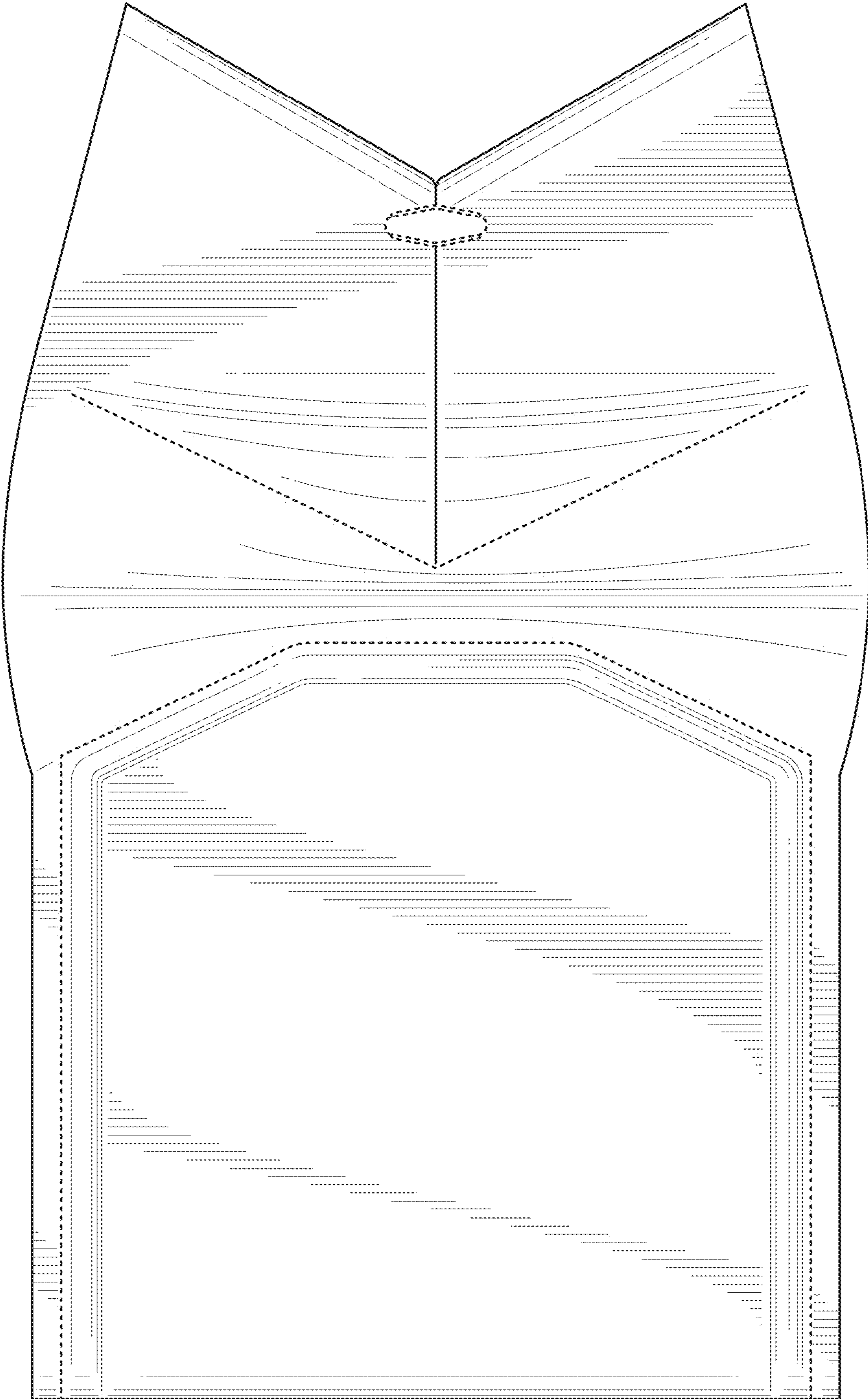


FIG. 8

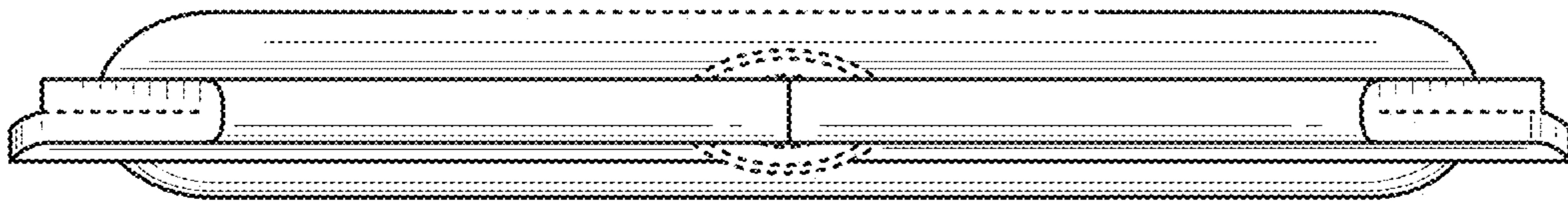


FIG. 9

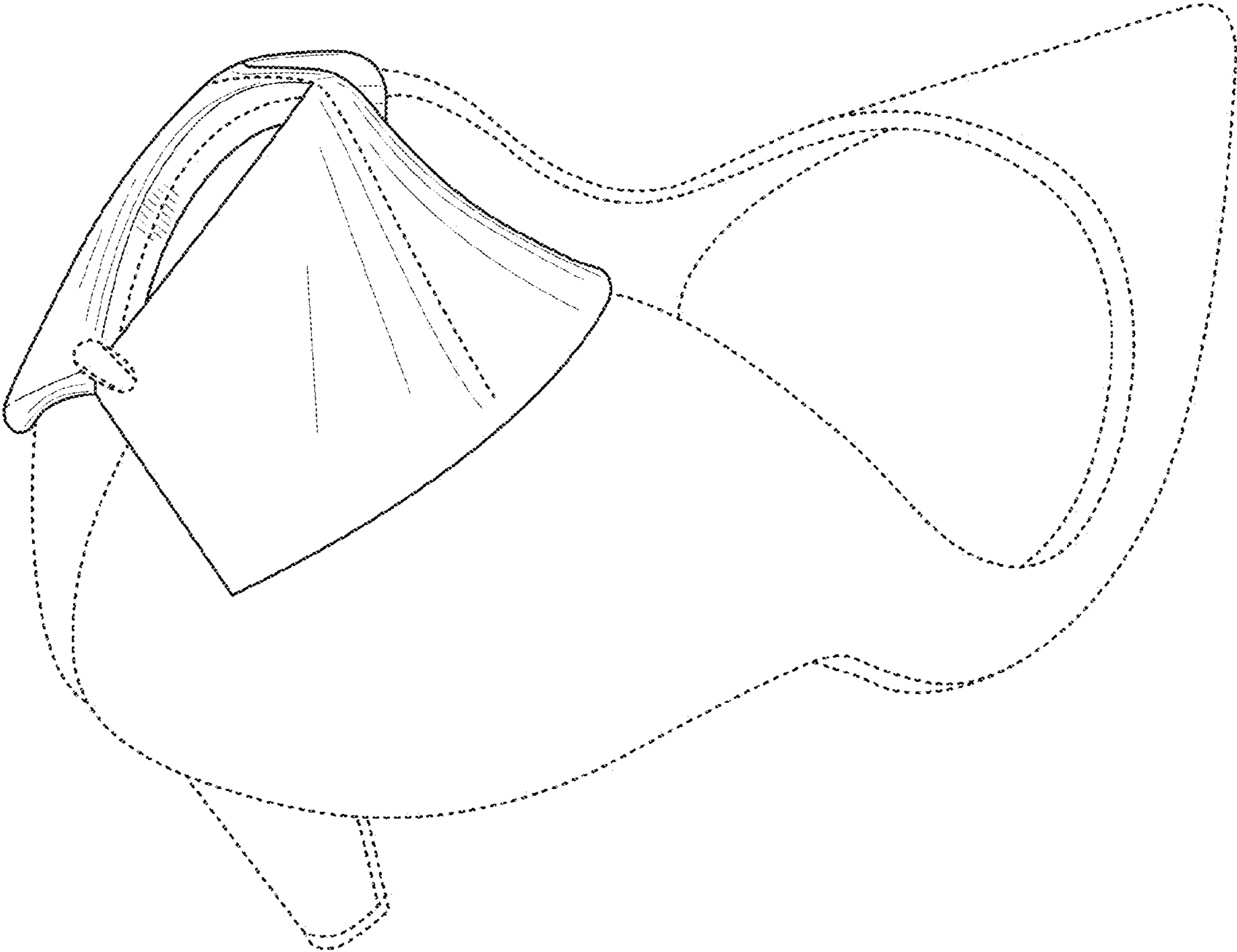


FIG. 10